

Quick Start Guide to Humidity Control on Sensi Classic



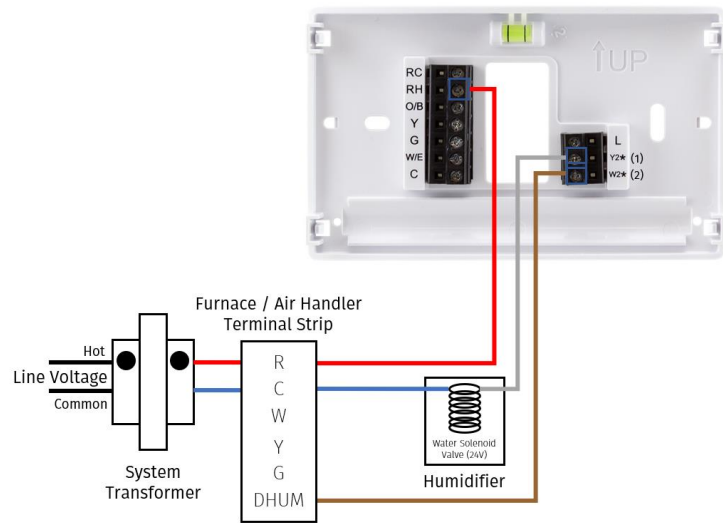
1. Contractor Firmware Update Process

If the Sensi thermostat being installed has not yet received a firmware update over the air, please follow the instructions below:

1. Dial 1-888-605-7131
2. Press 2 in the first menu, indicating that you are professional and Press 3 in the second menu
3. When your call is answered, tell the agent that you are at a customer's home and need the firmware update pushed for the hum/dehum capabilities. Provide the MAC ID located on the back of the faceplate to the agent.

2. Installation – Compatibility and Wiring

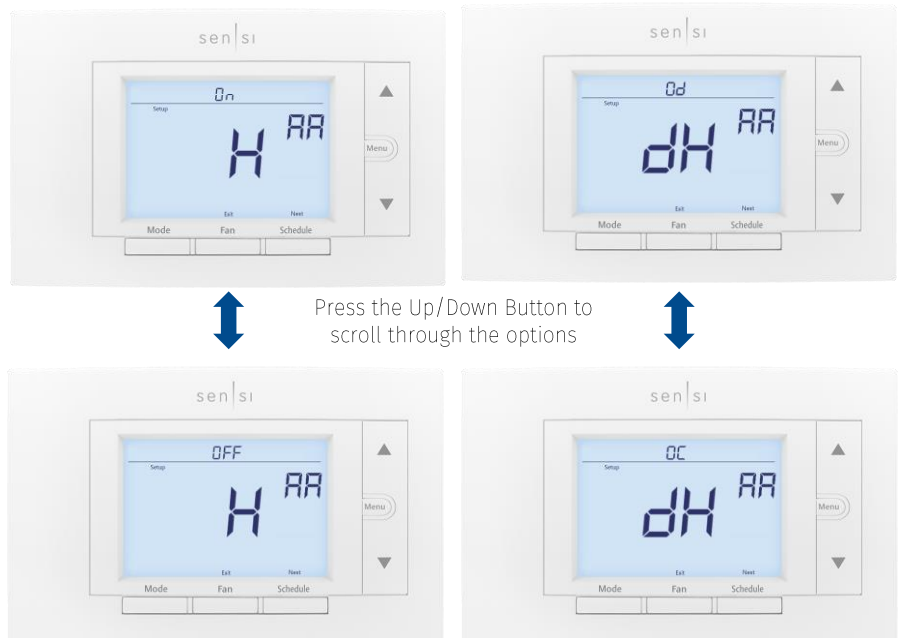
SENSI THERMOSTAT	CONVENTIONAL SYSTEM	HEAT PUMP SYSTEM
RH†	Power for heating, 24V	
RC†	Power for cooling, 24V	
C	Common wire, 24V	
Y	1st stage cool	1st outdoor stage heat
Y2/*	2nd stage cool or humidifier	2nd outdoor stage heat and cool or humidifier
W/E	1st indoor stage heat	1st stage auxiliary/emergency heat
W2/*	2nd indoor stage heat or dehumidifier	2nd stage auxiliary/emergency heat or dehumidifier
G	Indoor blower (fan)	
O/B	Changeover (reversing valve) connection for heat pump or zone panel systems	
L	no function	"L" terminal connection



- 1) Y2/* terminal energizes on call for humidification with call for heat
- 2) W2/* terminal de-energizes on call for dehumidification with call for cool

3. Configuration – Setting Humidification/Dehumidification Control Capability On/Off

CONFIGURATION MENU ITEMS REFERENCE			
Display Code	Menu item	Default	Options
	Wireless Setup Connects Thermostat to Wi-Fi network	—	Connect
	Fahrenheit or Celsius	F	F C
	Outdoor Equipment Configuration Cooling or heat pumps	AC2	AC1 – Conventional Cooling 1 (Single Stage) AC2 – Conventional Cooling 2 (Two-Stage) HP1 – Heat Pump 1 (Single Stage) HP2 – Heat Pump 2 (Two-Stage) AC0 – No Cooling
	Indoor Equipment Configuration For Gas or Electric Heat	EL2	EL1 – Electric 1 (Single Stage) EL2 – Electric 2 (Two-Stage) FAn GA1 Gas 1 (Single Stage) GA2 Gas 2 (Two-Stage)
	Reversing Valve Position Selects "O" or "B" Setting For Heat Pumps Only	O	O B 2
Fn	Circulating Fan	OFF	Off/10% – 100% (5% increments)
H AA	Humidification Add Accessory	OFF	Off/On
H SP	Humidification Set Point	OFF	Off/5% – 50% (5% increments)
dH AA	Dehumidification Add Accessory	Od	Od/Oc Od – Optimal dehumidification (Overcool to dehumidify) Oc – Optimal comfort (Wired dehumidification)
dH SP	Dehumidification Set Point	OFF	Off/40% – 95% (5% increments)
	Wireless Radio Turns Wi-Fi Radio On/Off	ON	Off/On



4. Using the Feature – Turning Humidification Control On/Off and Setting the Humidity Setpoint

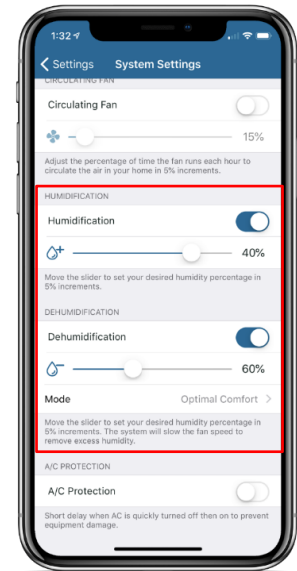
Humidification Control at the thermostat



Dehumidification Control at the thermostat



Humidification/Dehumidification Control in the Sensi App



Press the Up/Down Button to scroll through the options



Frequently Asked Questions

	FAQ	Answer
Firmware Update	When can I get the firmware OTA update for the humidity control?	Firmware updates for humidity control are automatically installed once a Sensi smart thermostat is connected to the internet.
	Which versions of Sensi thermostats are compatible with Humidity control?	Sensi Touch (1F95U) and Sensi Classic (1F87U) thermostats are all backwards compatible. 1F86U and UP500W models are currently not compatible.
Installation & Configuration	What terminals should I use to enable the humidity control?	Use Y2/* for humidification and W2/* for dehumidification
	What types of humidifiers and dehumidifiers are supported?	Humidifiers – Any 24VAC humidifier. Currently, Sensi does not support independent (from a call for heat) humidification Dehumidifiers – HVAC systems with a dehumidify mode (slowing of the system’s fan speed) or 24VAC dehumidifiers. Currently, Sensi does not support independent (from a call for cool) dehumidification.
Using the Feature	What is an appropriate humidity setpoint?	Depending on the outdoor temperature, the ideal indoor humidity level is between 30-50% RH. In cold weather, if condensation appears on your windows, lower the humidity setpoint.
	What is Overcooling to Dehumidify?	On air conditioning systems without a dehumidifier, the dehumidification feature allows Sensi to overcool to a maximum of 3° below the AC setpoint to help control humidity. Systems with dehum terminals on the air handler or wired dehumidifiers will use those capabilities rather than overcooling.
	Why is my system unable to reach my humidity setpoint?	During extremely cold and dry or hot and humid climates, your humidifier or dehumidifier may not be able to increase or decrease humidity enough to reach your setpoint depending on the size of your equipment.

Quick Start Guide to Humidity Control on Sensi Touch



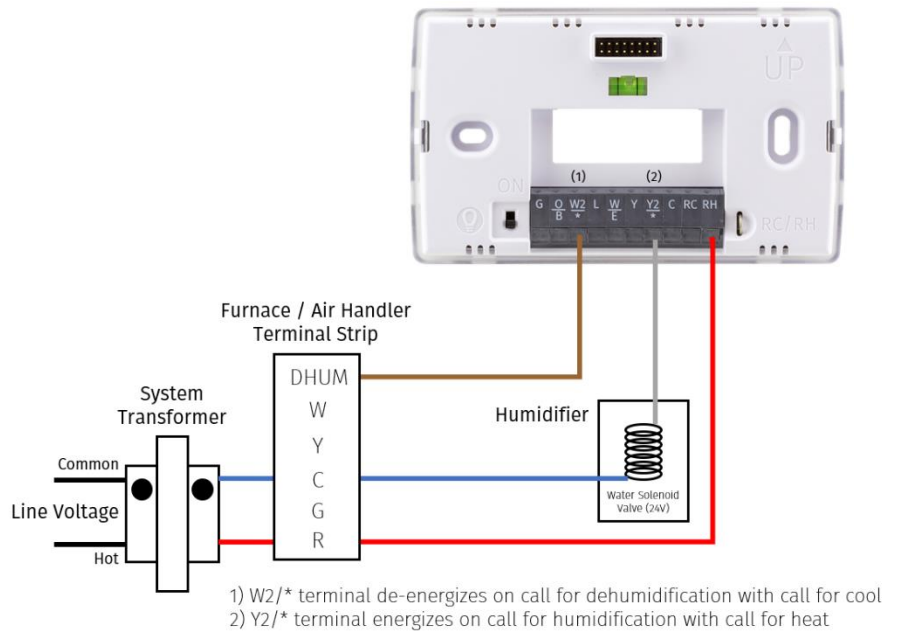
1. Contractor Firmware Update Process

If the Sensi thermostat being installed has not yet received a firmware update over the air, please follow the instructions below:

1. Dial 1-888-605-7131
2. Press 2 in the first menu, indicating that you are professional and Press 3 in the second menu
3. When your call is answered, tell the agent that you are at a customer's home and need the firmware update pushed for the hum/dehum capabilities. Provide the MAC ID located on the back of the faceplate to the agent.

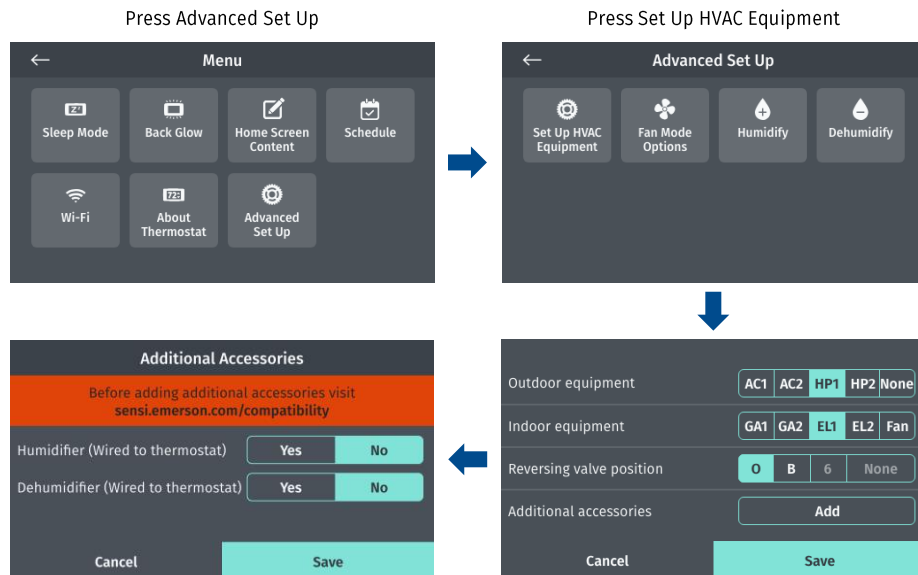
2. Installation – Compatibility and Wiring

SENSI THERMOSTAT	CONVENTIONAL SYSTEM	HEAT PUMP SYSTEM
RH ¹	Power for heating, 24V	
RC ¹	Power for cooling, 24V	
C	Common wire, 24V	
Y	1st stage cool	1st outdoor stage heat
Y2/*	2nd stage cool or humidifier	2nd outdoor stage heat or humidifier
W/E	1st indoor stage heat	1st stage auxiliary/emergency heat
W2/*	2nd indoor stage heat or dehumidifier	2nd stage auxiliary/emergency heat or dehumidifier
G	Indoor blower (fan)	
O/B	Changeover (reversing valve) connection for heat pump or zone panel systems	
L	no function	"L" terminal connection



3. Configuration – Setting Humidification/Dehumidification Control Capability On/Off

CONFIGURATION MENU ITEMS REFERENCE		
Menu item	Default	Options
Sleep Mode	Off	Turn sleep display mode on/off
Backglow	Off	Off / On
Home Screen Content	On	Indoor Humidity
	On	Time of Day
	°F	°F / °C
Schedule	-	5 / 2 Day Schedule
Wi-Fi	-	Connect to Wi-Fi
About Thermostat	-	Model Number/Reset
Advanced Setup	HVAC Equipment Fan Mode Options	
Set Up HVAC Equipment	AC2 / EL2	
	AC2	Outdoor Setup AC1/AC2/HP1/HP2/None
	EL2	Indoor Setup GA1/GA2/EL1/EL2/Fan
	O	Reversing Valve Position O/B/6/None
	None	Additional Accessories None/Add
	No	Humidifier (wired to thermostat) Yes/No
	No	Dehumidifier (wired to thermostat) Yes/No
Fan Mode Options	Off	Circulating Fan Off/On
		10% - 100% (5% increments)
Humidify	Off	Humidification Off/On
	40%	5% - 50% (5% increments)
Dehumidify	Off	Dehumidification Off/On
	50%	40% - 95% (5% increments)



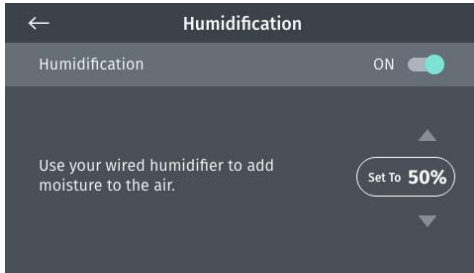
Make selection depending on installed equipment

Press Add Additional accessories

4. Using the Feature – Turning Humidification Control On/Off and Setting the Humidity Setpoint

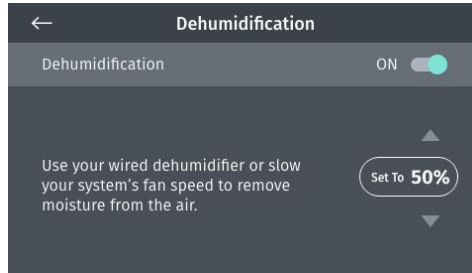
Humidification Control at the thermostat
(Advanced Set Up -> Humidify)

Humidification using wired equipment:

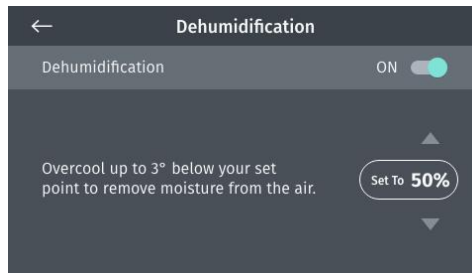


Dehumidification Control at the thermostat
(Advanced Set Up -> Dehumidify)

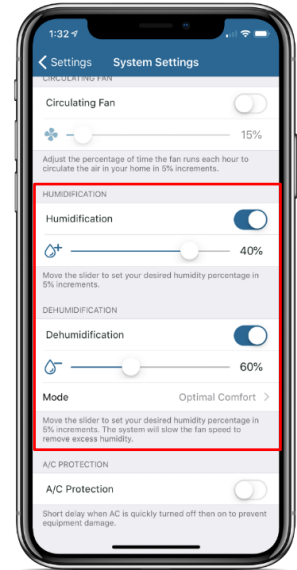
Dehumidification using wired equipment:



Dehumidification using overcooling:



Humidification/Dehumidification Control in the Sensi App



Frequently Asked Questions

	FAQ	Answer
Firmware Update	When can I get the firmware OTA update for the humidity control?	Firmware updates for humidity control are automatically installed once a Sensi smart thermostat is connected to the internet.
	Which versions of Sensi thermostats are compatible with Humidity control?	Sensi Touch (1F95U) and Sensi Classic (1F87U) thermostats are all backwards compatible. 1F86U and UP500W models are currently not compatible.
Installation & Configuration	What terminals should I use to enable the humidity control?	Use Y2/* for humidification and W2/* for dehumidification
	What types of humidifiers and dehumidifiers are supported?	Humidifiers – Any 24VAC humidifier. Currently, Sensi does not support independent (from a call for heat) humidification Dehumidifiers – HVAC systems with a dehumidify mode (slowing of the system's fan speed) or 24VAC dehumidifiers. Currently, Sensi does not support independent (from a call for cool) dehumidification.
Using the Feature	What is an appropriate humidity setpoint?	Depending on the outdoor temperature, the ideal indoor humidity level is between 30-50% RH. In cold weather, if condensation appears on your windows, lower the humidity setpoint.
	What is Overcooling to Dehumidify?	On air conditioning systems without a dehumidifier, the dehumidification feature allows Sensi to overcool to a maximum of 3° below the AC setpoint to help control humidity. Systems with dehum terminals on the air handler or wired dehumidifiers will use those capabilities rather than overcooling.
	Why is my system unable to reach my humidity setpoint?	During extremely cold and dry or hot and humid climates, your humidifier or dehumidifier may not be able to increase or decrease humidity enough to reach your setpoint depending on the size of your equipment.