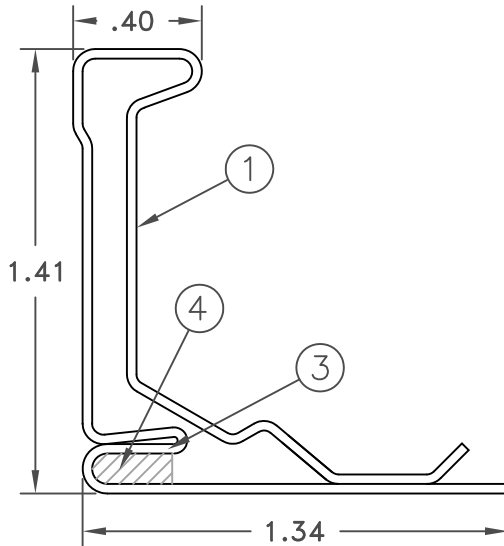


WARD CONNECTOR

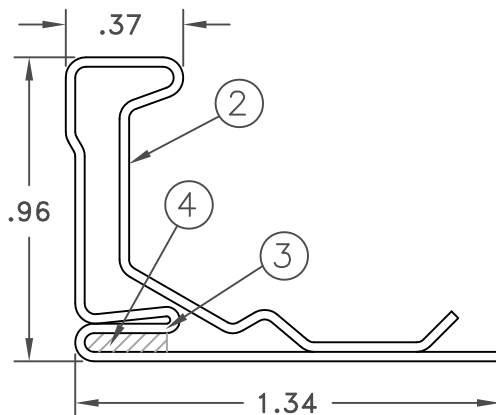
J Quick Flange and H Quick Flange

SMACNA RATED "J" AND "H" TRANSVERSE JOINT DUCT CONNECTORS

QFLG J
QFLG H



J Flange



H Flange

SPECIFICATIONS:

1. J Flange is rollformed from 20 gauge material
2. H Flange is rollformed from 22 gauge material
3. Large integrated sealant pocket
4. Butyl sealant (factory installed)
Reference Submittal Drawing Pg 562 for Butyl Sealant usage specification.
5. Pre-drilled screw holes for ease of install.
Holes are .1" Ø and spaced 1" apart.

NOTES:

1. Available in 10' and 20' lengths.
Contact factory for custom lengths.
2. Available in the following metals:
 - Galvanized (J and H)
 - Aluminum (J)
 - Aluminized (J and H)
 - Galvaneal (J and H)
 - Stainless Steel (J)
3. Recommended for 26 GA through 14 GA ductwork.
4. J Flange meets SMACNA rigidity Class J for transverse joints (steel) or Class H for transverse joints (aluminum).
5. H Flange meets SMACNA rigidity Class H for transverse joints.
6. Reference Ward J and H Flange Duct Construction Standards for installation instructions and a complete reference to approved applications (separate).

JOB NAME: _____ LOCATION: _____ ARCHITECT: _____ ENGINEER: _____ CONTRACTOR: _____	SUBMITTED BY: _____
--	---------------------------------