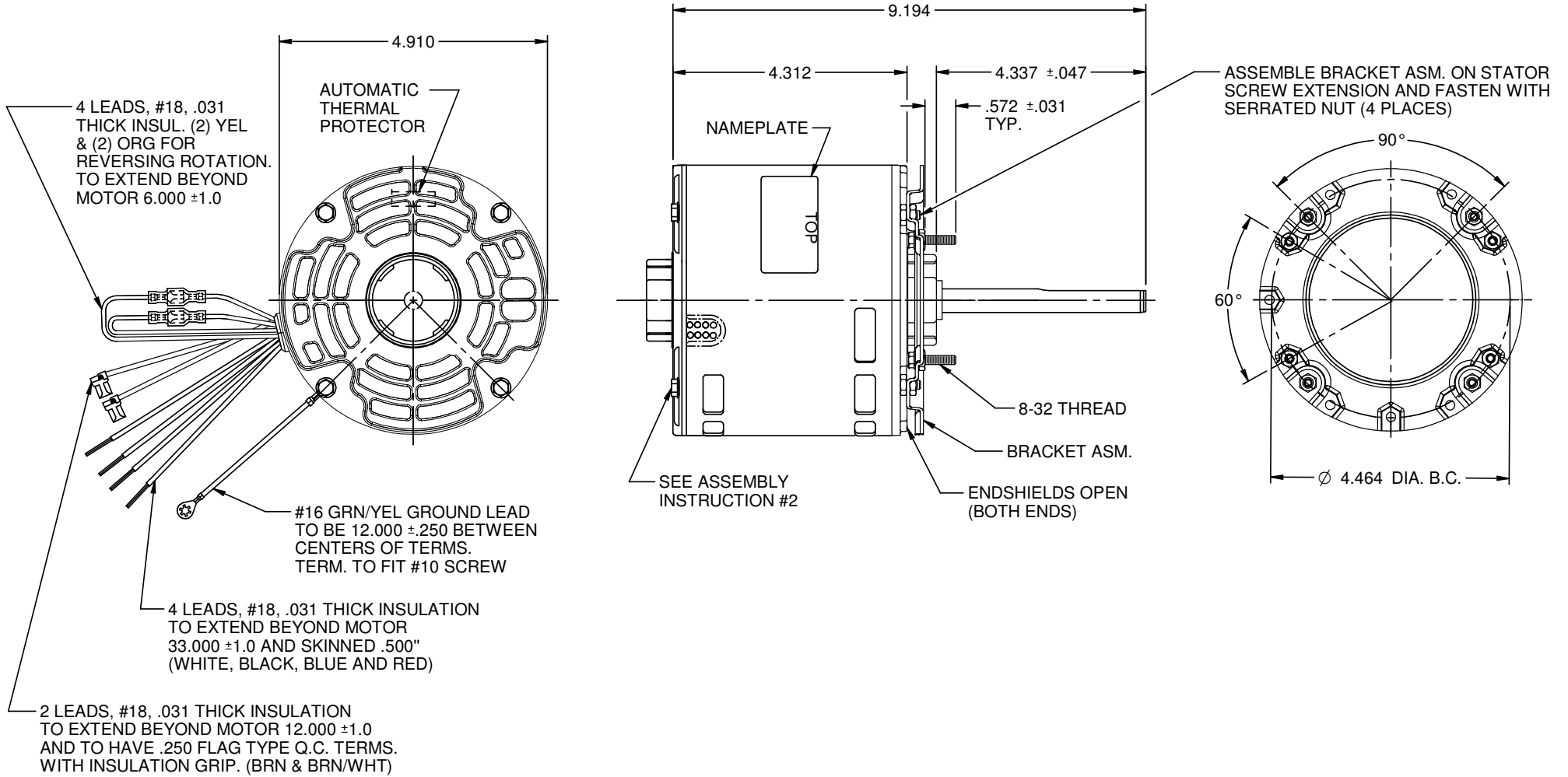


MODEL	REF	CUSTOMER	HP	VOLTS	AMPS	HZ	RPM	ROTATION	CATALOG NO.	DESCRIPTION / REMARKS
K48HXSVA-3520		STANDARD	1/4	208-230	1.5	60	1050/3	CCW LEAD END REV.	1391	



NIDEC MOTOR CORPORATION 08-Jun-17

REFER TO S.E.I.M. 24-1

CREATED DRAWING.	REVISION RECORD FOR: ECO E28830
ISSUED BY: G. MEDINA	ENGINEER APPROVED: H. NAVARRO

DIMENSIONS ARE FOR REFERENCE ONLY

UNLESS TOLERANCE IS SPECIFIED

<b>NIDEC MOTOR CORPORATION</b>			
INFORMATION DISCLOSED ON THIS DOCUMENT IS CONSIDERED PROPRIETARY AND SHALL NOT BE REPRODUCED OR DISCLOSED WITHOUT WRITTEN CONSENT OF NIDEC MOTOR CORPORATION			
TITLE		REVISION DATE:	
CUSTOMER DETAIL DRAWING		09-JUN-17	
CODE	ITEM NO.	REV	SHEET NUMBER
V02	815963	-	1 OF 3
			DWG SIZE
			B