

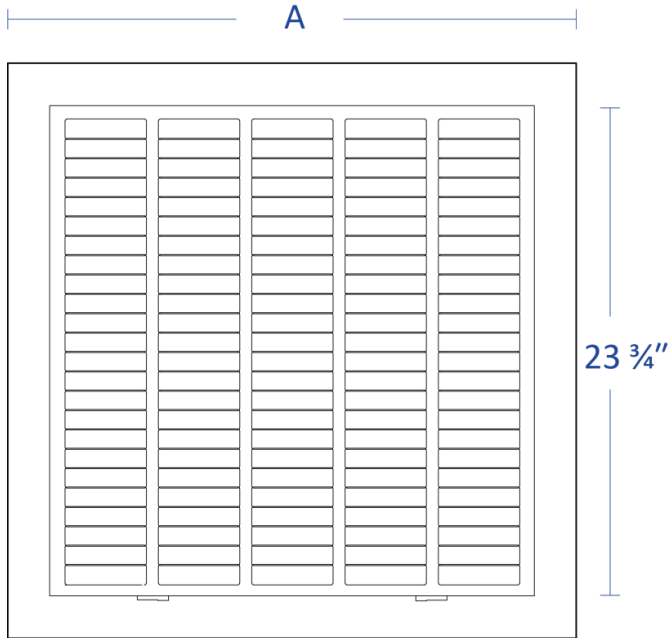
Submitted by: _____

Date: _____

T-Bar

Return Air Filter Grille

Model:



Available Options

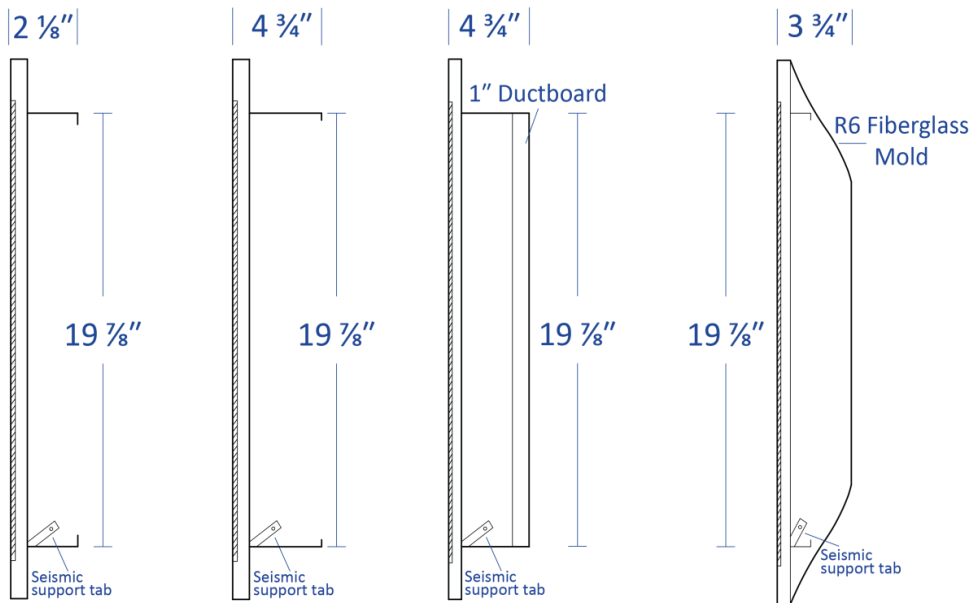
- Ductboard
- Molded R6 Insulation
- Accept 1" filter
- Accept 2" filter

Available Sizes

- 24" x 24" Nominal
- 24" x 48" Nominal

Model Features

- Hinged face
- 1/2" blade spacing
- Durable white powder coat finish



Size	Dim A
24" x 24"	23 3/4"
24" x 48"	47 3/4"

Material: Steel
Face: Fixed Bar
Model Size: _____

Project Name: _____
 Project Location: _____
 Contractor: _____

Architect: _____
 Engineer: _____