

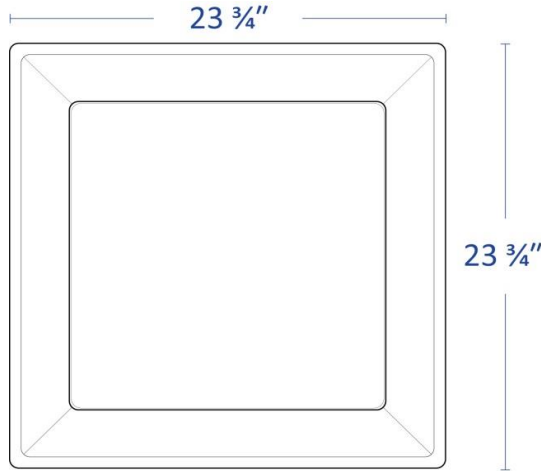
Submitted by: \_\_\_\_\_

Date: \_\_\_\_\_

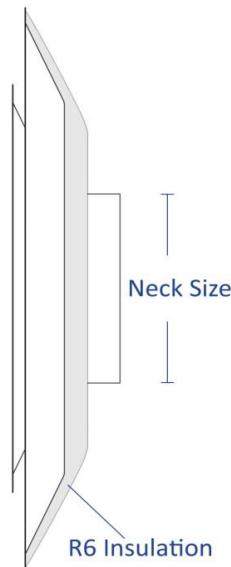
Plaque Diffuser

T-Bar Lay-in

**Model:**



4 <sup>1</sup>/<sub>2</sub>"



**Available Options**

- Insulated Steel Back w/ Collar
- Molded R6 Insulation

**Model Features**

- Single plate design
- 360 deg. air diffusion pattern
- Seismic support tab
- 2" 22 gauge collar
- Durable white powder coat finish

**Material:** Steel

**Face:** Single Plate

**Model Size:**

Project Name: \_\_\_\_\_

Architect: \_\_\_\_\_

Project Location: \_\_\_\_\_

Engineer: \_\_\_\_\_

Contractor: \_\_\_\_\_