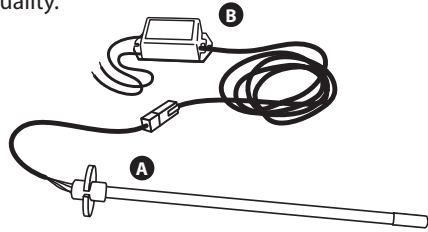


1 TRADE PRO

UV 24 PRO

Installation Guide

UV 24 PRO is installed inside the air handling system to reduce biological contamination for reduced system maintenance and improved indoor air quality.



US patent #7,704,463

IMPORTANT!

- Only qualified technicians should install this product
- Install in accordance with relevant building codes
- Read instructions carefully including safety warnings

2 Installation Notes

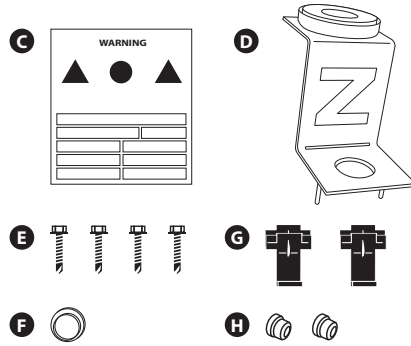
Before installing UV 24 PRO it is necessary to determine the optimal mounting location inside the air system. First, look for the area with the heaviest mold growth. Also consider a location that will allow the germicidal UV light to shine on the greatest surface area. For enhanced anti-microbial effect 2 or more lamps can be installed in different parts of the air system.

Some typical mounting locations:

- | | |
|------------------------------|---------------------------|
| A Supply-side duct | D Coil face |
| B At the blower | E Coil "A" plate |
| C Across top of coils | F Return-side duct |

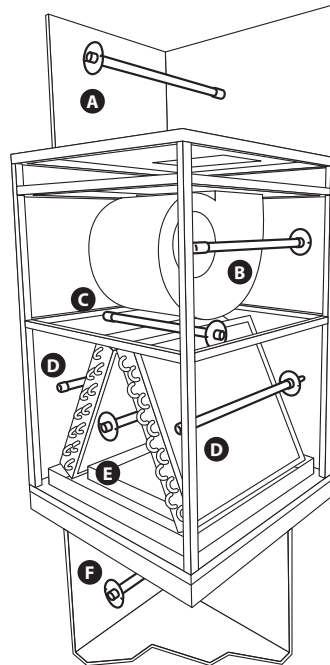


Important: some materials inside the air system (including filter media, flex duct, wiring etc.) may not be UV light resistant. Use the optional UV shield (part #TUV-SHIELD-LPC) or cover the materials with reflective tape.



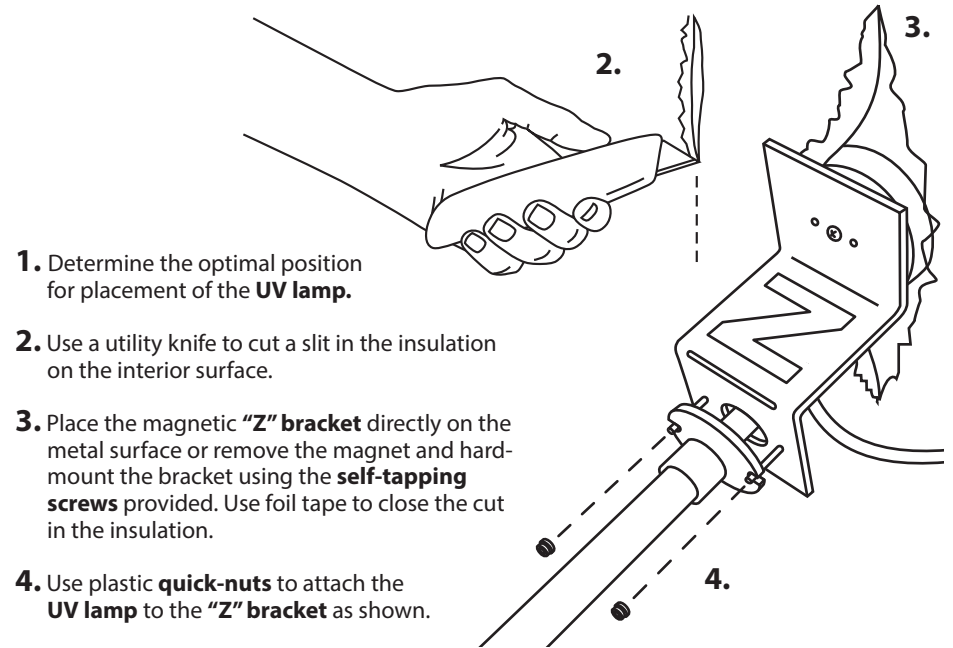
Parts Included

- A** UV Lamp
- B** Power Supply
- C** UV Warning Sticker
- D** "Z" Mounting Bracket
- E** Self-Tapping Screws
- F** Sight Glass
- G** Tap-in Connector
- H** Plastic Nuts

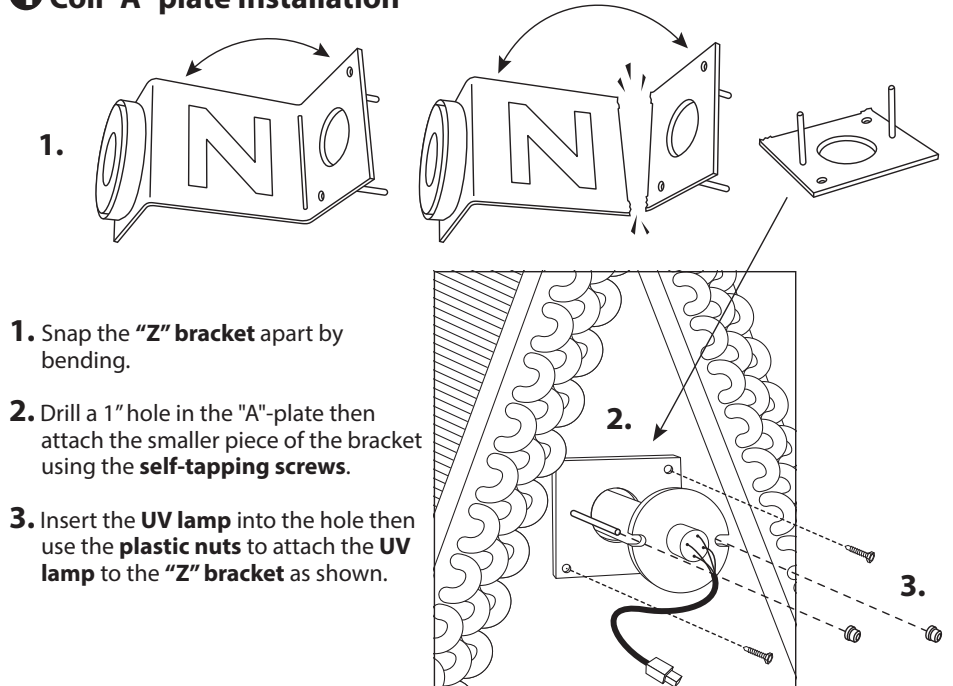


UV 24 PRO Mounting Options

3 Air Handler Interior Surface Installation



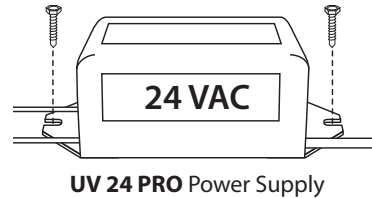
4 Coil "A" plate Installation



5 Power Supply Installation

IMPORTANT! Check which power supply is included with your **UV 24 PRO** before connecting to power. Turn off main power source before installation.

1. Find a suitable location for the **power supply** inside the control panel of the air handler. Install using the **self-tapping screws**.
2. Use the wiring diagrams below to connect to power.

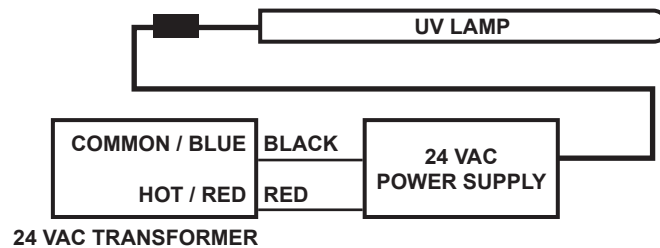


UV 24 PRO Power Supply

IMPORTANT

Turn off main power source before installation.

IMPORTANT! Must be wired to constant power - do not connect to blower relay.



24 VAC TRANSFORMER

IMPORTANT!

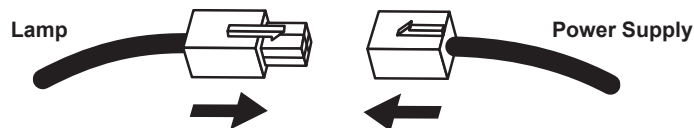
Systems with high 24 VAC loads may require the installation of a separate 24 VAC transformer to power the UV light.

Always use a separate 24 VAC transformer with "communicating" air systems.

Draws 16 VA, may need to do load calculation: Volts under load X Amps under load.

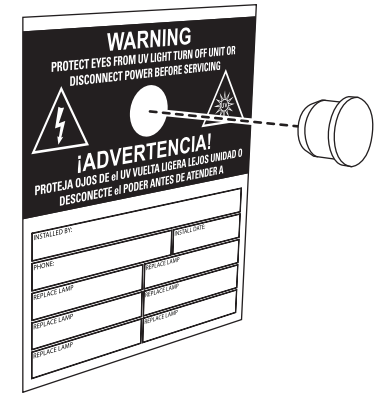
6 UV Lamp Connection

1. When all the other components are properly installed connect the UV Lamp cable to the Power supply cable.
2. Make sure the clips are aligned and then push the connectors firmly together. A tight connection ensures a proper seal.



7 Sight Glass Installation

1. Find a suitable location on the outside of the duct-work near the UV Lamp installation and apply the warning/lamp replacement sticker.
2. Drill a 1/2" hole through the orange circle on the sticker. Press the UV safety viewport into hole.
3. Turn on the power and use the sight glass to confirm that the UV Lamp is operating.

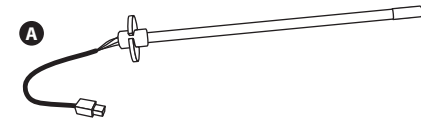


8 Lamp Replacement

The germicidal UV lamp in **UV 24 PRO** needs to be replaced annually. Note: UV lamps will continue to emit visible light but lose germicidal effectiveness over time.

UV Lamp

(Part # TPUVL, TPUVL-OS)



CAUTION!

UV lamps contain small amounts of mercury - dispose of lamps in accordance with local environmental regulations. For more information visit www.lamprecycle.org

Note: Use of replacement UV lamps other than **Part # TPUVL, TPUVL-OS** voids warranty.