



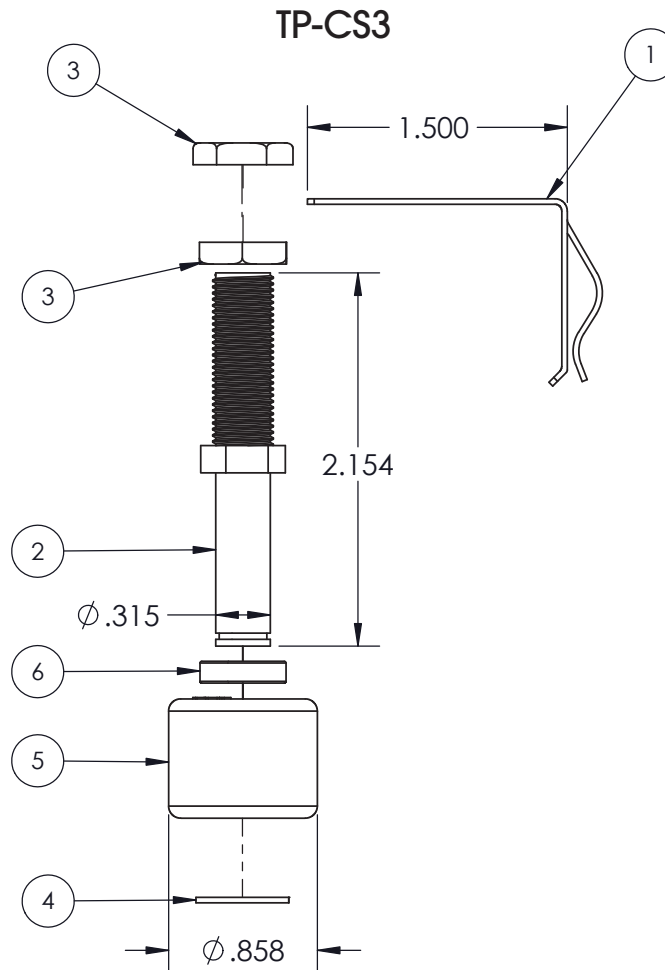
Intertek

5014016
 Certified to
 UL STANDARD 508
 CSA STANDARD C22.2 #14



FOR INDUSTRY PROFESSIONALS

Pipe Mounted Condensate Detection Switch



TRADEPRO 3039 Premiere Parkway, Suite #600 Duluth, GA 30097 800.995.2222			
Part Name: TP-CS3 Condensate Switch - Elbow			
Scale:	Drawn# By:	Date:	
None	J.H.	7-11-19	
Drawing#:	Approved By:	Revision:	
TP-CS3	B.L.	A	

ITEM NO.	DESCRIPTION	COLOR	QTY.
1	BRACKET	N/A	1
2	SWITCH HOUSING	BLACK	1
3	NUT	BLACK	2
4	FLOAT STOP	BLACK	1
5	FLOAT	WHITE	1
6	MAGNET	N/A	1

REQUIREMENTS:

- Max Current: 1.5A
- Max Voltage: 24 VAC
- Normally Closed Switch
- UL508 Compliant
- Wire Gauge 18 AWG