



Intertek

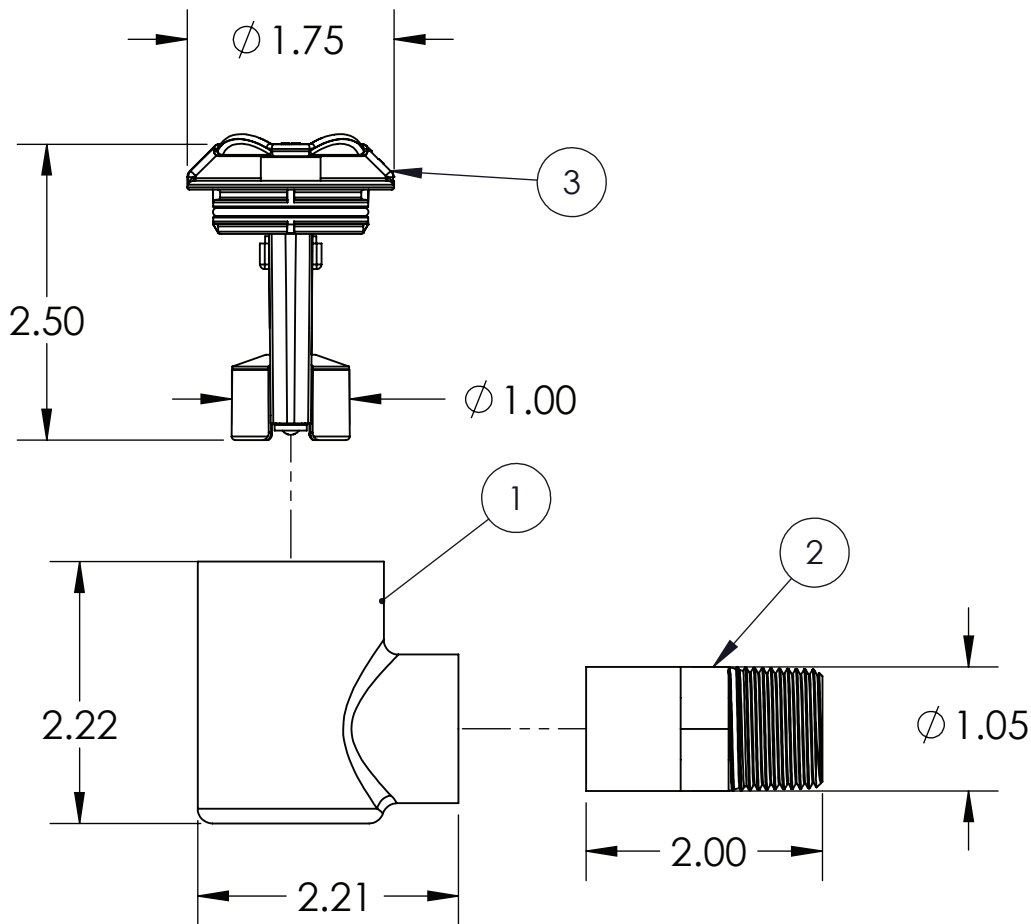
5014016
 Certified to
 UL STANDARD 508
 CSA STANDARD C22.2 #14



FOR INDUSTRY PROFESSIONALS

Pipe Mounted Condensate Detection Switch

TP-CS2



TRADEPRO 3039 Premiere Parkway, Suite #600 Duluth, GA 30097 800.995.2222			
Part Name: TP-CS2 Condensate Switch - Elbow			
Scale:	None	Drawn# By:	J.H.
		Date:	7-11-19
Drawing#:	TP-CS2	Approved By:	B.L.
		Revision:	A

ITEM NO.	DESCRIPTION	QTY.
1	PIPE BODY	1
2	3/4" THREADED FITTING	1
3	PIPE SWITCH	1

REQUIREMENTS:

- Max Current: 1.5A
- Max Voltage: 24 VAC
- Normally Closed Switch
- UL508 Compliant
- Wire Gauge 18 AWG