

MINI SPLIT INSTALLATION COMPONENTS

Cut your
installation time!
SpeediClip™
Fastest
SpeediChannel™
installation!



DIVERSiTECH 

DiversiTech SpeediChannel™ System

DiversiTech SpeediChannel™ is an innovative channel system used to cover air conditioning line sets. The two part system has a base and a cover. The base is fastened to a wall or ceiling, then a clever little plastic clip (SpeediClip™) snaps into a channel already molded into the base. Then, using standard cable ties, the line set, cables, control wires, and/or condensate drain line are fastened in place. The cover then snaps simply on top of the base.



The SpeediChannel™ system is available in three widths – 3”, 4”, and 6”. Each piece of SpeediChannel™ is 6-1/2 feet long. A complete line of couplings, elbows, and tees are available for the SpeediChannel™ system.

Manufactured from rigid PVC, the SpeediChannel™ system is a natural color that is a very close match to the typical mini-split condensing unit case. However, the SpeediChannel™ system can be painted as desired to match any wall color. The PVC used in the SpeediChannel™ system is resistant to UV light, and is UL rated.



DiversiTech recommends attaching the base to the wall or ceiling and the line sets to the system every 15” to allow for the system to carry the full weight of the line sets.

The SpeediChannel™ can also be used inside.



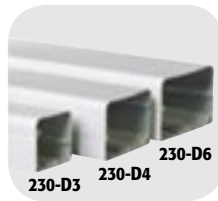
*Cut your installation time! SpeediClip™—
fastest SpeediChannel™ installation.*

M
I
N
I
S
P
L
I
T
I
N
S
T
A
L
L
A
T
I
O
N



SpeediChannel™

The DiversiTech SpeediChannel™ is available in three widths, all in 6-1/2 feet lengths.



CATALOG NO.	DESCRIPTION	STANDARD PACK
230-D3	3" SpeediChannel™	6
230-D4	4" SpeediChannel™	6
230-D6	6" SpeediChannel™	5

Union Coupling

Union couplings are used for joining two pieces of SpeediChannel™ — each cover being the same size. Each coupling is individually packed, and is furnished complete with stainless steel screws.



CATALOG NO.	DESCRIPTION	STANDARD PACK
230-CP3	3" Union Coupling	20
230-CP4	4" Union Coupling	20
230-CP6	6" Union Coupling	20

90° Flat Bend

90° flat bends are used to route the SpeediChannel™ around an obstacle. Each bend is individually packed, and is furnished complete with stainless steel screws.



CATALOG NO.	DESCRIPTION	STANDARD PACK
230-FB3	3" 90 degree Flat Bend	20
230-FB4	4" 90 degree Flat Bend	20
230-FB6	6" 90 degree Flat Bend	20

90° Long Radius Bend

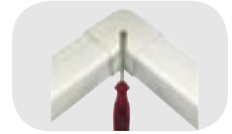
90° long radius flat bends are used to route the SpeediChannel™ around an obstacle. The long radius of the elbow allows a gentle bending radius on the copper line set. Each elbow is individually packed, and is furnished complete with stainless steel screws.



CATALOG NO.	DESCRIPTION	STANDARD PACK
230-LFB3	3" 90 degree Long Radius Bend	20
230-LFB4	4" 90 degree Long Radius Bend	20
230-LFB6	6" 90 degree Long Radius Bend	20

90° Inside Elbow

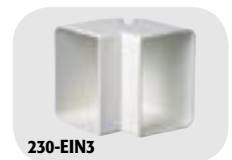
90° inside elbows are used to route the SpeediChannel™ around an inside corner. Each elbow is individually packed, and is furnished complete with stainless steel screws.



CATALOG NO.	DESCRIPTION	STANDARD PACK
230-EB3	3" 90 degree Inside Elbow	20
230-EB4	4" 90 degree Inside Elbow	20
230-EB6	6" 90 degree Inside Elbow	20

90° Outside Elbow

90° outside elbows are used to route the SpeediChannel™ around an outside corner. Each elbow is individually packed, and is furnished complete with stainless steel screws.



CATALOG NO.	DESCRIPTION	STANDARD PACK
230-EIN3	3" 90 degree Outside Elbow	20
230-EIN4	4" 90 degree Outside Elbow	20
230-EIN6	6" 90 degree Outside Elbow	20

Wall Penetration

Wall sleeves and penetration covers are used to transition from the SpeediChannel™ system to a through wall penetration. The wall sleeve creates a neat hole through the wall, and the line set is covered by the wall cover. DiversiTech's wall covers are designed to allow for easy installation — even after the line set has been installed. A unique hooking and fastening arrangement allows for quick and easy installation. Each wall cover is individually packed, and is furnished complete with stainless steel screws to attach the wall cover to the base. Three screws (supplied by others) are needed to fasten the wall cover to whatever type of wall construction the system is being installed on.

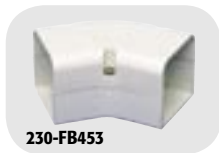


CATALOG NO.	DESCRIPTION	STANDARD PACK
230-WC3	3" Wall Penetration Cover	20
230-WC4	4" Wall Penetration Cover	20
230-WC6	6" Wall Penetration Cover	20
230-WS2	2-1/2" Wall Sleeve	15



45° Flat Bend

45° flat bends are used to route the SpeediChannel™ around an obstacle. Each bend is individually packed, and is furnished complete with stainless steel screws.



CATALOG NO.	DESCRIPTION	STANDARD PACK
230-FB453	3" 45 degree Flat Bend	20
230-FB454	4" 45 degree Flat Bend	20
230-FB456	6" 45 degree Flat Bend	20

T-Joint

Used for creating a tee connection between three pieces of SpeediChannel™ – all covers being the same size. The tee can be combined with the reducing coupling to join SpeediChannels™ of different sizes. Each tee is individually packed, and is furnished complete with stainless steel screws.



CATALOG NO.	DESCRIPTION	STANDARD PACK
230-TJ4	4" T-Joint	20
230-TJ6	6" T-Joint	20

Reducer Coupling

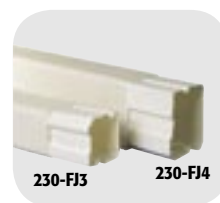
The reducer coupling is used for joining two pieces of SpeediChannel™ – each cover being a different size. Each coupling is individually packed, and is furnished complete with stainless steel screws.



CATALOG NO.	DESCRIPTION	STANDARD PACK
230-TC34	3" x 4" Reducer Coupling	20
230-TC46	4" x 6" Reducer Coupling	20

Flex Joint

An accordion style piece of SpeediChannel™, the flex joint can be extremely flexible routing a SpeediChannel™ system around virtually any type of obstacle. Each flex joint is 20 inches long and can be combined together for longer flex runs. Unlike competitor systems, the DiversiTech flex joint does NOT require the use of a union coupling. The DiversiTech flex joint slides tightly inside the SpeediChannel™ system.



CATALOG NO.	DESCRIPTION	STANDARD PACK
230-FJ3	3" Flex Joint	20
230-FJ4	4" Flex Joint	20

Duct End

The duct end is used to terminate a run of SpeediChannel™ to a small opening – just large enough for the line set and condensate drain line to pass through. Gives a neat/clean installation.



CATALOG NO.	DESCRIPTION	STANDARD PACK
230-DE3	3" Duct End	20
230-DE4	4" Duct End	20
230-DE6	6" Duct End	20

Cap

Used to cap the end of a SpeediChannel™ run. Easily snaps into the end of the SpeediChannel™.



CATALOG NO.	DESCRIPTION	STANDARD PACK
230-DC3	3" Cap	20
230-DC4	4" Cap	20
230-DC6	6" Cap	20

Flat Wall Escutcheon

Typically used to cover a rough opening in a wall or ceiling penetration. One side of the escutcheon is flat to allow for a SpeediChannel™ run going along a wall and penetrating through an adjacent wall or ceiling. This is the most common type of wall penetration. Furnished in two parts, the escutcheon easily snaps onto the SpeediChannel™.



230-FR3



CATALOG NO.	DESCRIPTION	STANDARD PACK
230-FR3	3" Flat Wall Escutcheon	20
230-FR4	4" Flat Wall Escutcheon	20
230-FR6	6" Flat Wall Escutcheon	20

Wall Escutcheon

Typically used to cover a rough opening in a wall or ceiling penetration. The hole in the escutcheon is centered to allow for a free standing SpeediChannel™ to penetrate through a wall or ceiling. This is the fairly un-common type of wall or ceiling penetration. Check carefully, as you may need the Flat Wall Escutcheon. Furnished in two parts, the escutcheon easily snaps onto the SpeediChannel™.



230-WR3



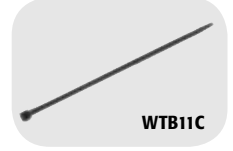
CATALOG NO.	DESCRIPTION	STANDARD PACK
230-WR3	3" Wall Escutcheon	20
230-WR4	4" Wall Escutcheon	20
230-WR6	6" Wall Escutcheon	20

SpeediChannel™ Accessories

A variety of accessories that are complementary or required for installing DiversiTech's SpeediChannel™ system.



230-DCLIP



WTB11C



5-SCR101



540-400

SpeediClip™

CATALOG NO.	DESCRIPTION	STANDARD PACK
230-DCLIP	SpeediClip™	50
WTB11C	Black Wire Ties – 11" Nylon	100
230-DSCREW	SpeediChannel™ Screw	100
5-SCR101	10 x 1 Taper Point Sheet Metal Screw	500
5-SCR101BULK	10 x 1 Taper Point Sheet Metal Screw – Bulk	5,000
5-SCRMS	Masonry Screw – 1/4" x 1-1/4"	250
540-DB6	Masonry Bit – 3/16" x 6"	1
5-MSH1/4MC	Power Nut Setter, Hex Drive – 1/4", 1-3/4" long, 1/4" nut	30
5-MSH5/16MC	Power Nut Setter, Hex Drive – 1/4", 1-3/4" long, 5/16" nut	30
540-400	Nut Setter – 1/4" – Bulk	30
540-500	Nut Setter – 5/16" – Bulk	30

Mini Split Accessories

The MSA-45 is used on the new R410 mini split systems that have the larger unique fitting on the service valve. The description of that fitting is 1/2" Acme Male-20 UN. This adapter will screw onto the 1/2" Acme Male-20 UN fitting and allow you to connect a standard 1/4 service hose to it.



MSA-45

CATALOG NO.	DESCRIPTION	STANDARD PACK
MSA-45	1/4" Male flare x 1/2"-20 UNF Female	1

UltraLite® Equipment Pads

UltraLite® is a true concrete equipment pad at the weight of plastic (about 2.5 lbs. per square foot). UltraLite® is strengthened by miles of fiber in each square foot of fiber-cement coating. This fiber allows the pad to flex instead of cracking or breaking. The textured surface prevents the condensing unit or portable generator from sliding, and allows water drainage, while the engineered encapsulated polystyrene (EPS) core prevents warping and provides a solid bottom to resist settling. UltraLite® is unaffected by soil conditions, ultraviolet (UV) light, temperature extremes, and other weather conditions.



CATALOG NO.	DESCRIPTION	STANDARD PACK
UC1636-2	16" x 36" x 2" UltraLite® Equipment Pad	20
UC1636-3	16" x 36" x 3" UltraLite® Equipment Pad	15
UC2448-2	24" x 48" x 2" UltraLite® Equipment Pad	20

Hundreds of pad sizes are available from DiversiTech. Those shown are the most common sizes used for mini split condensing units.

E Lite® Equipment Pads

E Lite's rugged design provides uniform and generous ribbing for optimum, self-leveling ground support without inserts. The result is a pad that is lightweight, but not too light. A subtle texture prevents unit slide and presents a classic appearance, which is enhanced by rounded edges and a concrete gray color. Each pad is molded with a size label and a symbol representing content of recycled material.



CATALOG NO.	DESCRIPTION	STANDARD PACK
EL1838-3	18" x 38" x 3" E Lite® Equipment Pad	16

Hundreds of pad sizes are available from DiversiTech. Those shown are the most common sizes used for mini split condensing units.

CladLite® Equipment Pads

Concrete surface and superior performance at 20% the weight of conventional concrete pads. The cladding provides superior resistance to sun, moisture and freeze-thaw conditions; the engineered encapsulated polystyrene (EPS) core is virtually impervious to water, soil conditions, fungus and bacteria. CladLite® is further strengthened by continuous steel reinforcement throughout the cladding. CladLite® is code approved for installation throughout the U.S.



CATALOG NO.	DESCRIPTION	STANDARD PACK
1636-2	16" x 36" x 2" CladLite® Equipment Pad	25
1636-3	16" x 36" x 3" CladLite® Equipment Pad	20

Hundreds of pad sizes are available from DiversiTech. Those shown are the most common sizes used for mini split condensing units.

Mounting Blocks

Used as mounting bases when condensing units must be bolted down. Available in three lengths. End caps are also available for aesthetics. Furnished complete with mounting bolts. Maximum load capacity is 900 pounds per mounting block. Installation temperature range from -4F (-20C) to 140F (60C). Mount Blocks fit all mini split condensing units with a unique sliding rail feature.



CATALOG NO.	DESCRIPTION	PACK/CASE
230-MB14W	14" MountBlock (White) pack of 2	6
230-MB17W	17" MountBlock (White) pack of 2	6
230-MB36W	36" MountBlock (White) pack of 2	1
230-MBCW	MountBlock End Cap (White) pack of 4	25

Type 2 Wall Brackets

Used for supporting condensing units, type 2 brackets feature a cross bar that is attached to a wall, and two L-shaped brackets that are hooked and bolted into place on the cross bar. The condensing unit is mounted onto the L-shaped brackets, and fastened using the bolts and anti-vibration washers provided.



CATALOG NO.	DESCRIPTION	ARM LENGTH	LOAD RATING PER ARM	STANDARD PACK
230-B2M	Type 2 Wall Brackets (Medium)	18"	165#	1
230-B2L	Type 2 Wall Brackets (Large)	21"	220#	1

Type 3 Wall Brackets

Used for supporting condensing units, type 3 brackets (just like type 2 brackets) feature a cross bar that is attached to a wall, and two L-shaped brackets that are hooked and bolted into place on the cross bar. The condensing unit is mounted onto the L-shaped brackets, and fastened using the bolts and anti-vibration washers provided.



The type 3 bracket features an innovative locking mechanism called Easy-Fit™. Easy-Fit™ enables the arms to be joined to the uprights in a matter of seconds. A spring-lock automatically secures the joint, preventing the arms from being dislodged accidentally. All brackets are furnished complete with an integral bubble level to make correct installation of the crossbar easier.



CATALOG NO.	DESCRIPTION	ARM LENGTH	LOAD RATING PER ARM	STANDARD PACK
230-B3M	Type 3 Wall Brackets (Medium)	19"	100#	1
230-B3L	Type 3 Wall Brackets (Large)	21"	150#	1

DiversiTech Pull-out Disconnect Switches with Side Opening Door

- Fused models designed with fuses in pull-out handle for easy replacement
- Line, load, and ground terminals aligned for ease of wiring
- Patent pending reversible door – opens to the left or to the right
- Side opening door opens more than 180 degrees for maximum access
- Fused models have indicator lights for blown fuses
- Full dead front
- UL Listed IRF9, NEMA TYPE 3R: Raintight, Sleet Resistant – Outdoor



DDS-60U

CATALOG NO.	DESCRIPTION	STANDARD PACK
DDS-30	30A Fusible Disconnect Switch	10
DDS-60	60A Fusible Disconnect Switch	10
DDS-60U	60A Non-Fusible Disconnect Switch	10

DiversiTech Low-Profile Disconnect Switch

- Slightly smaller design than standard DiversiTech Disconnects
- Side opening door
- Full dead front
- UL Listed IRF9, NEMA TYPE 3R: Raintight, Sleet Resistant – Outdoor



EDS-60U

CATALOG NO.	DESCRIPTION	STANDARD PACK
EDS-60U	60A Non-Fusible Disconnect Switch	10

DiversiWhips

Liquid-tight flexible conduit system. A labor saving convenience kit for A/C unit hookup. Also use for heat pumps, refrigeration, hot tubs, swimming pools and outdoor lighting. Three distinct wire colors for ease of hook-up. 1 straight and 1 90° metallic or non-metallic connector. 90° connector is removable for straight connections. (Second straight connector not included.) U.L. & C.U.L Listed.

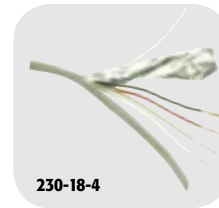


6-12-4NM

CATALOG NO.	DESCRIPTION	STANDARD PACK
6-12-4NM	1/2 x 4' #10 THHN Wire – Non-Metallic Connectors	6
6-12-6NM	1/2 x 6' #10 THHN Wire – Non-Metallic Connectors	6
6-34-4NM	3/4 x 4' #8 THHN Wire – Non-Metallic Connectors	6
6-34-6NM	3/4 x 6' #8 THHN Wire – Non-Metallic Connectors	6

Wire

Wire and cabling specific for mini split installation power supply and control circuits.



230-18-4

CATALOG NO.	DESCRIPTION	STANDARD PACK
230-18-4	Stranded Shielded CL3R	50'
230-16-2	Stranded Shielded CL3R	50'
230-14-3	Solid Non-Shielded CL3R	50'
230-14-4	Stranded Non-Shielded CL3R	50'
230-14-7	Stranded Non-Shielded CL3R	50'

Condensate Pumps – 22’ Lift

Suitable for use with condensate from high efficiency condensing furnaces and boilers which produce acidic condensate. 22’ of lift compared to the typical 20’. Features include vibration dampening feet and motor mounts, metal hang tabs, four inlet holes, a clear indicator display, a float switch and check valve, and pan pill dispenser. Integrating the CP-22 into your system is easy. 1/4” inch quick connect terminals provide easy connection to the built in overflow switch. 3 terminals are provided allowing flexibility to connect air-handler shut-down and optional alarm as needed.



CP-22

CATALOG NO.	DESCRIPTION	STANDARD PACK
CP-22	Condensate Pump 120V	6
CP-22T	Condensate Pump 120V with 20’ 3/8” tubing	6
CP-22-230	Condensate Pump 230V	6
CP-22T-230	Condensate Pump 230V with 20’ 3/8” tubing	6

UL listed and CSA approved.

Condensate Drain Pans

When a mini split system is operated in heat pump mode, the outdoor coil becomes the evaporator coil. There is typically condensation generated from the evaporator coil. In certain installations, the condenser coil may be mounted overhead on brackets affixed to a wall. In these overhead mount applications, dripping condensation may be objectionable. Condensate drain pans bolt onto the condenser mounting brackets, and the drain line can be plumbed to a suitable nearby drain location. Furnished complete with all mounting hardware, and drain pan outlet, condensate drain pans are available in either plastic or powder coated steel.



230-DPPL



CATALOG NO.	DESCRIPTION	STANDARD PACK
230-DPPL	Poly Condensate Drain Pan (Large)	1
230-DPML	Metal Condensate Drain Pan (Large)	1
230-DPPM	Poly Condensate Drain Pan (Medium)	1
230-DPMM	Metal Condensate Drain Pan (Medium)	1

Mini Split Condensate Drain Line

A unique drain line for mini split units. This large diameter drain line is typical for mini split installations. Furnished in 160 feet lengths with cut marks every 3.28 feet.



230-DL16

CATALOG NO.	DESCRIPTION	STANDARD PACK
230-DL16	1/4” ID Mini Split Drain Line	100’/Roll
230-DL20	3/8” ID Mini Split Drain Line	100’/Roll

Clear Vinyl Hose

Clear vinyl hose applications include: air conditioning and refrigeration condensate drains, condensate pump discharge lines and humidifier overflows.



7-14

CATALOG NO.	DESCRIPTION	STANDARD PACK
7-14	1/4” ID Clear Vinyl Tubing	100’/Roll
7-38	3/8” ID Clear Vinyl Tubing	100’/Roll

Barbed Nylon Fittings

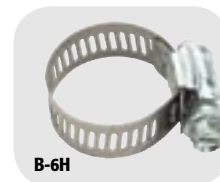


701-038

CATALOG NO.	DESCRIPTION	STANDARD PACK
701-030	Hose Mender – 1/4 Barb	2
701-030B	Hose Mender – 1/4 Barb – Bulk	100
701-032	Hose Mender – 3/8 Barb	2
701-032B	Hose Mender – 3/8 Barb – Bulk	100
701-036	Tee – 1/4 Barb	2
701-036B	Tee – 1/4 Barb	100
701-038	Tee – 3/8 Barb	2
701-038B	Tee – 3/8 Barb	100

Hose Clamps

Partial stainless, worm drive, adjustable. These clamps are 300 series stainless steel 1/2” band with plated 5/16” slotted hex head screw and housing, except the B-4H which has a 5/16” band and 1/4” nut. Recommended for most applications. 100% interlock construction features one-piece housing which directly locks into the band. Spot weld free design.



B-6H

CATALOG NO.	DESCRIPTION	STANDARD PACK
B-6H	No. 6, 3/8” – 7/8” diameter, 1/4” – 3/8” hose I.D.	10
B-10H	No. 10, 9/16” – 1-1/16” diameter, 3/8” – 5/8” hose I.D.	10
B-12H	No. 12, 9/16” – 1-1/4” diameter, 5/8” – 3/4” hose I.D.	10
B-16H	No. 16, 11/16” – 1-1/2” diameter, 3/4” – 1” hose I.D.	10

Mini Split Drain Adapters

Mini Split fan units – either ceiling cassettes or wall cassettes – typically have a unique (metric) drain line fitting. DiversiTech’s adapters convert this metric fitting to standard drain line tubing sizes.



230-DLFY

CATALOG NO.	DESCRIPTION	STANDARD PACK
230-DLFY	Mini Split Drain Line Wye (Pack of 1)	20
230-DLF16	16mm Mini Split Drain Line Adapter (Pack of 1)	20
230-DLF18	18mm Mini Split Drain Line Adapter (Pack of 1)	20
230-DLF20	20mm Mini Split Drain Line Adapter (Pack of 1)	20
230-DLF25	25mm Mini Split Drain Line Adapter (Pack of 1)	20
230-DLF32	32mm Mini Split Drain Line Adapter (Pack of 1)	20

SpeediChannel™ System Installation

Step 1

Attach the SpeediChannel™ base to the wall about every 15 inches with screws suitable for the wall construction (siding, stucco, brick, etc.). Screw through the center of the molded rail. Slide the connecting piece (elbow, union, tee, etc.) under the SpeediChannel™ before attaching the end of the channel to the wall. When cutting lengths of SpeediChannel™, allow 1/8" gap between the end of the SpeediChannel™ and the stop inside the fitting to allow for thermal expansion.



Step 3

Install the line set, drain line, and wires inside the SpeediChannel™. Test the equipment installation prior to tightening the cable ties. Tighten the cable ties snug, but not so tight they damage the tubing insulation or kink the drain line. Trim excess length from the cable tie.



Step 4

Attach the SpeediChannel™ to the base.



Step 2

Slide one SpeediClip™ with cable tie about every 20 inches along the inside sliding rail.



Step 5

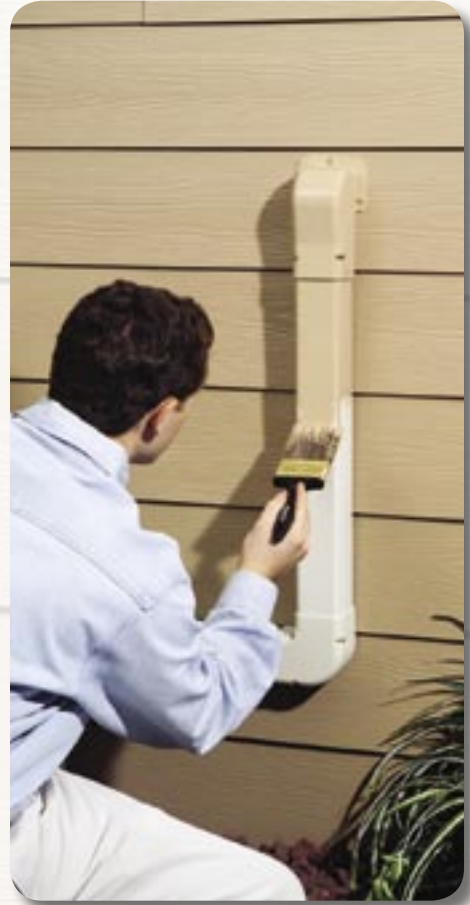


Attach the fitting covers with the screws provided.



Step 6

When complete, paint the Speedi-Channel™ to match surface of installation (if desired).



DiversiTech SpeediChannel™ System

SIZING CHART AND SELECTION INFORMATION

Maximum Line Set, Drain Pipe, and Cable Capacity using 3/8" Insulation

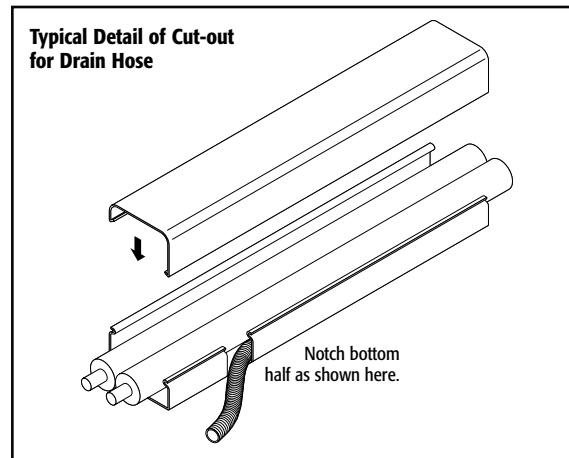
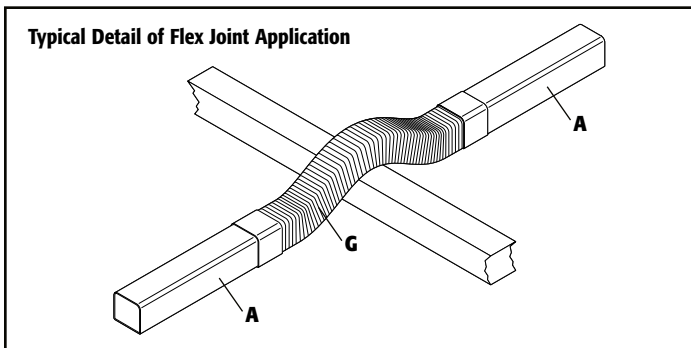
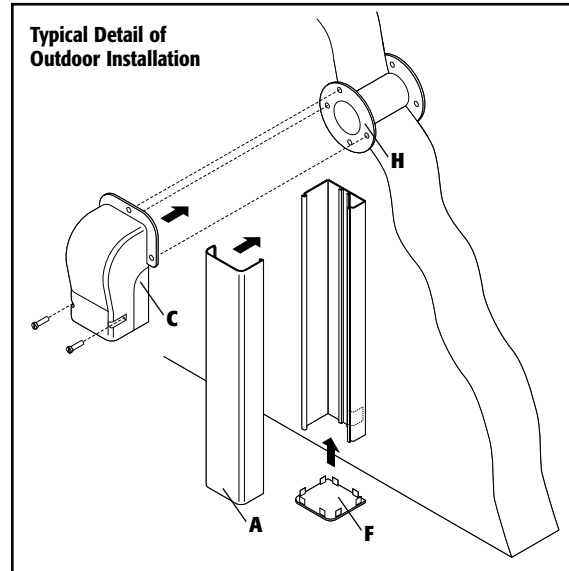
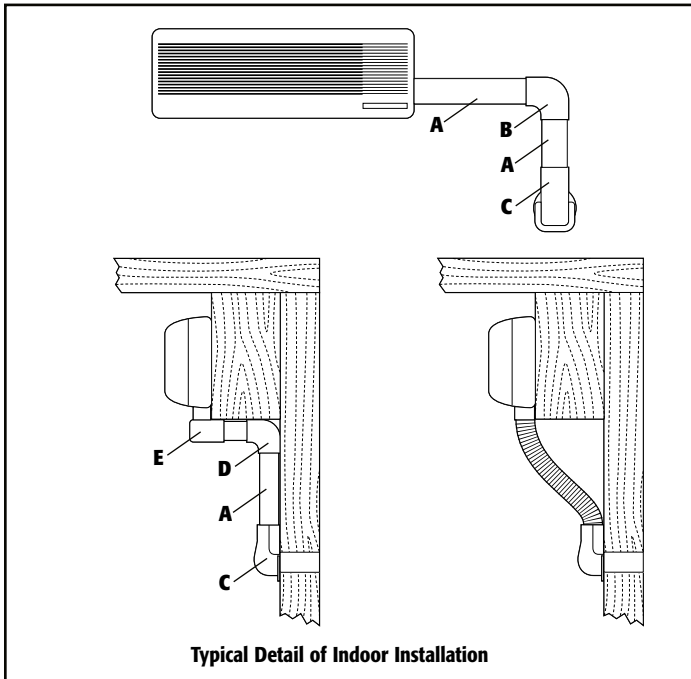
Model	230-D3	230-D4	230-D6
Dimensions	3" x 2-1/2"	4" x 2-3/4"	6" x 3"
Length	78"	78"	78"

Mini Split Systems – Liquid and Suction Line with 3/8" Insulation

Liquid Line	3/8"	2 x 1/4"	1 x 1/4" + 2 x 3/8"
Suction Line	5/8"	2 x 3/8"	1 x 1/2" + 2 x 5/8"
Drain Hose	3/4" OD	2 x 3/4" OD	3 x 3/4" OD
Power Cable	1 x UF 14-3	2 x 1/2" SealTite	3 x 1/2" SealTite
Control Cable	1 Pair 18 AWG	2 Pairs 18 AWG	3 Pairs 18 AWG
Nominal Tonnage	1–3 Tons	1x3 Ton or 2x1 Ton	1x3 Ton or 2x2 Ton

Conventional Split Systems – Liquid Line Plain, Suction Line with 3/8" Insulation

Liquid Line	3/8"	3/8"	3/8"
Suction Line	3/4" or 7/8"	1-1/8"	1-1/8"
Drain Hose	3/4" PVC	3/4" PVC	3/4" PVC
Power Cable	1 x UF 14-2	1 x 1/2" SealTite	1 x 1/2" SealTite
Control Cable	1 Pair 18 AWG	1 Pair 18 AWG	1 Pair 18 AWG
Nominal Tonnage	Up to 3.5 Tons	4–5 Tons	7.5 Tons and up



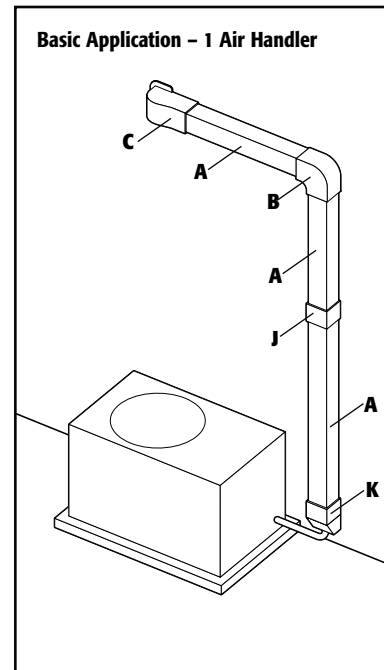
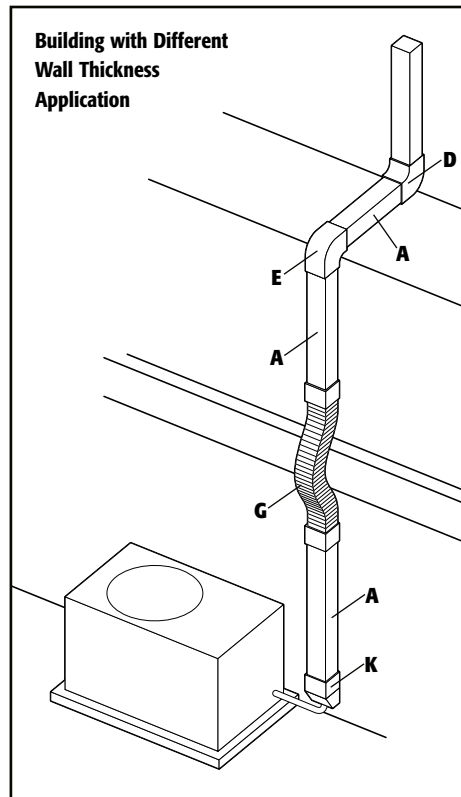
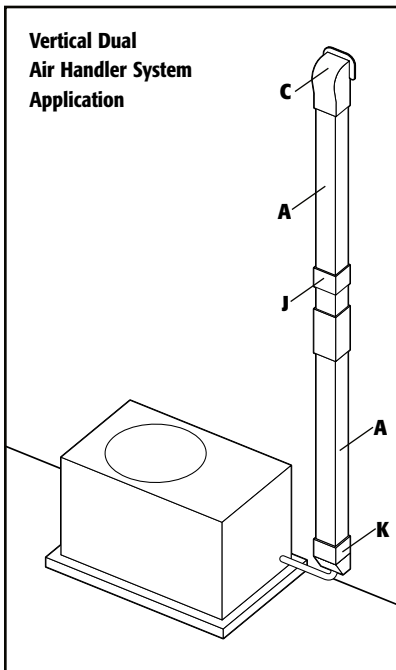
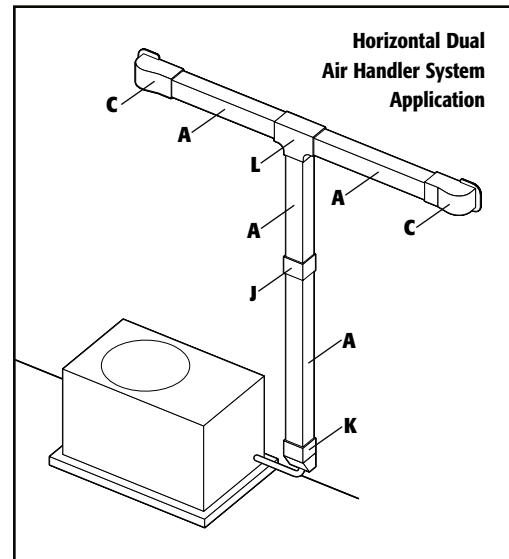
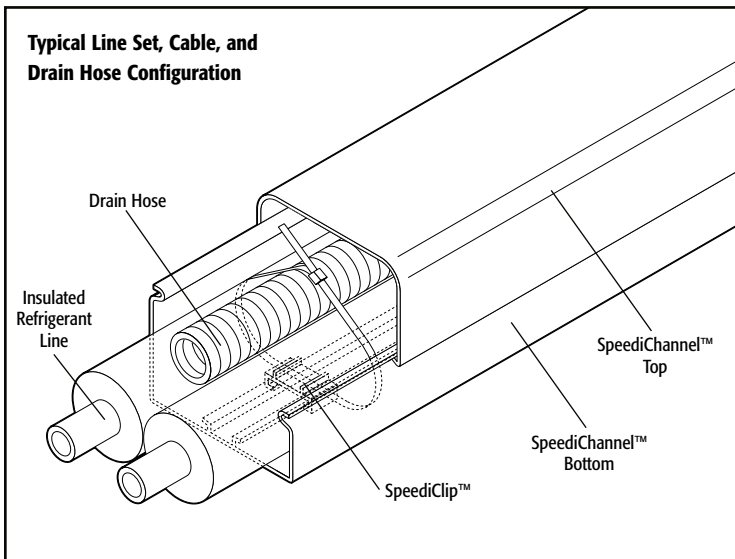
- A - 230-D
- B - 230-FB
- C - 230-WC
- D - 230-EB
- E - 230-EIN
- F - 230-DC
- G - 230-FJ
- H - 230-WS2

NOTE:
Suffix parts A-G
with the duct
size needed
(3, 4, or 6)

DiversiTech SpeediChannel™ System

TECHNICAL SPECIFICATIONS

Color	Natural
Size	230-D3: 3" x 2-1/2" OD 230-D4: 4" x 2-3/4" OD 230-D6: 6" x 3-1/8" OD Standard Length: 78"
Material	Weather Resistant PVC, UV Stabilized and Fire Resistant
Fire Rating	Meets UL 94V-0
Temperature Range	-4°F TO 140°F
Weather Resistance	Tested to over 2,000 hours
Fixing Screws	Stainless Steel



- A - 230-D
- B - 230-FB
- C - 230-WC
- D - 230-EB
- E - 230-EIN
- F - 230-DC
- G - 230-FJ
- H - 230-WS2
- J - 230-CP
- K - 230-DE
- L - 230-TC

NOTE:
Suffix parts A-G
with the duct
size needed
(3, 4, or 6)

DiversiTech SpeediChannel™ System

PRODUCT INFORMATION AND PROJECT LAYOUT

SpeediChannel™

CATALOG NO.	DESCRIPTION	QTY. NEEDED
230-D3	3" SpeediChannel™ – 6-1/2' long	
230-D4	4" SpeediChannel™ – 6-1/2' long	
230-D6	6" SpeediChannel™ – 6-1/2' long	



Duct End

CATALOG NO.	DESCRIPTION	QTY. NEEDED
230-DE3	3" Duct End	
230-DE4	4" Duct End	
230-DE6	6" Duct End	



Wall Penetration

CATALOG NO.	DESCRIPTION	QTY. NEEDED
230-WC3	3" Wall Penetration	
230-WC4	4" Wall Penetration	
230-WC6	6" Wall Penetration	
230-WS2	2-1/2" Wall Sleeve	



Cap

CATALOG NO.	DESCRIPTION	QTY. NEEDED
230-DC3	3" Cap	
230-DC4	4" Cap	
230-DC6	6" Cap	



Union Coupling

CATALOG NO.	DESCRIPTION	QTY. NEEDED
230-CP3	3" Union Coupling	
230-CP4	4" Union Coupling	
230-CP6	6" Union Coupling	



Flat Wall Escutcheon

CATALOG NO.	DESCRIPTION	QTY. NEEDED
230-FR3	3" Flat Wall Escutcheon	
230-FR4	4" Flat Wall Escutcheon	
230-FR6	6" Flat Wall Escutcheon	



90° Long Radius Flat Bend

CATALOG NO.	DESCRIPTION	QTY. NEEDED
230-LFB3	3" 90 deg Long Radius Flat Bend	
230-LFB4	4" 90 deg Long Radius Flat Bend	
230-LFB6	6" 90 deg Long Radius Flat Bend	



Wall Escutcheon

CATALOG NO.	DESCRIPTION	QTY. NEEDED
230-WR3	3" Wall Escutcheon	
230-WR4	4" Wall Escutcheon	
230-WR6	6" Wall Escutcheon	



90° Flat Bend

CATALOG NO.	DESCRIPTION	QTY. NEEDED
230-FB3	3" 90 deg Flat Bend	
230-FB4	4" 90 deg Flat Bend	
230-FB6	6" 90 deg Flat Bend	



Mounting Blocks

CATALOG NO.	DESCRIPTION	QTY. NEEDED
230-MB14W	14" MountBlock (White) pack of 2	
230-MB17W	17" MountBlock (White) pack of 2	
230-MB36W	36" MountBlock (White) pack of 2	
230-MBCW	MountBlock End Cap (White) pack of 4	



90° Inside Elbow

CATALOG NO.	DESCRIPTION	QTY. NEEDED
230-EB3	3" 90 degree Inside Elbow	
230-EB4	4" 90 degree Inside Elbow	
230-EB6	6" 90 degree Inside Elbow	



Condensate Drain Pans

CATALOG NO.	DESCRIPTION	QTY. NEEDED
230-DPPL	Poly Cond Drain Pan (Large)	
230-DPML	Metal Cond Drain Pan (Large)	
230-DPPM	Poly Cond Drain Pan (Medium)	
230-DPMM	Metal Cond Drain Pan (Medium)	



90° Outside Elbow

CATALOG NO.	DESCRIPTION	QTY. NEEDED
230-EIN3	3" 90 degree Outside Elbow	
230-EIN4	4" 90 degree Outside Elbow	
230-EIN6	6" 90 degree Outside Elbow	



UltraLite® Equipment Pads

CATALOG NO.	DESCRIPTION	QTY. NEEDED
UC1636-2	16" x 36" x 2" UltraLite® Equipment Pad	
UC1636-3	16" x 36" x 3" UltraLite® Equipment Pad	
UC2448-2	24" x 48" x 2" UltraLite® Equipment Pad	



45° Flat Bend

CATALOG NO.	DESCRIPTION	QTY. NEEDED
230-FB453	3" 45 degree Flat Bend	
230-FB454	4" 45 degree Flat Bend	
230-FB456	6" 45 degree Flat Bend	



E Lite® Equipment Pads

CATALOG NO.	DESCRIPTION	QTY. NEEDED
EL1838-3	18" x 38" x 3" E Lite® Equipment Pad	



T-Joint

CATALOG NO.	DESCRIPTION	QTY. NEEDED
230-TJ4	4" T-Joint	
230-TJ6	6" T-Joint	



CladLite® Equipment Pads

CATALOG NO.	DESCRIPTION	QTY. NEEDED
1636-2	16" x 36" x 2" CladLite® Equipment Pad	
1636-3	16" x 36" x 3" CladLite® Equipment Pad	



Reducer Coupling

CATALOG NO.	DESCRIPTION	QTY. NEEDED
230-TC34	3" x 4" Reducer Coupling	
230-TC46	4" x 6" Reducer Coupling	



Type 2 Wall Brackets

CATALOG NO.	DESCRIPTION	QTY. NEEDED
230-B2L	Type 2 Wall Brackets (Large)	
230-B2M	Type 2 Wall Brackets (Medium)	



Flex Joint

CATALOG NO.	DESCRIPTION	QTY. NEEDED
230-FJ3	3" Flex Joint	
230-FJ4	4" Flex Joint	



Type 3 Wall Brackets

CATALOG NO.	DESCRIPTION	QTY. NEEDED
230-B3L	Type 3 Wall Brackets (Large)	
230-B3M	Type 3 Wall Brackets (Medium)	



800.995.2222 • www.diversitech.com

Download additional copies of this form at www.diversitech.com/literature/coverjobsheet.pdf

DiversiTech SpeediChannel™ System

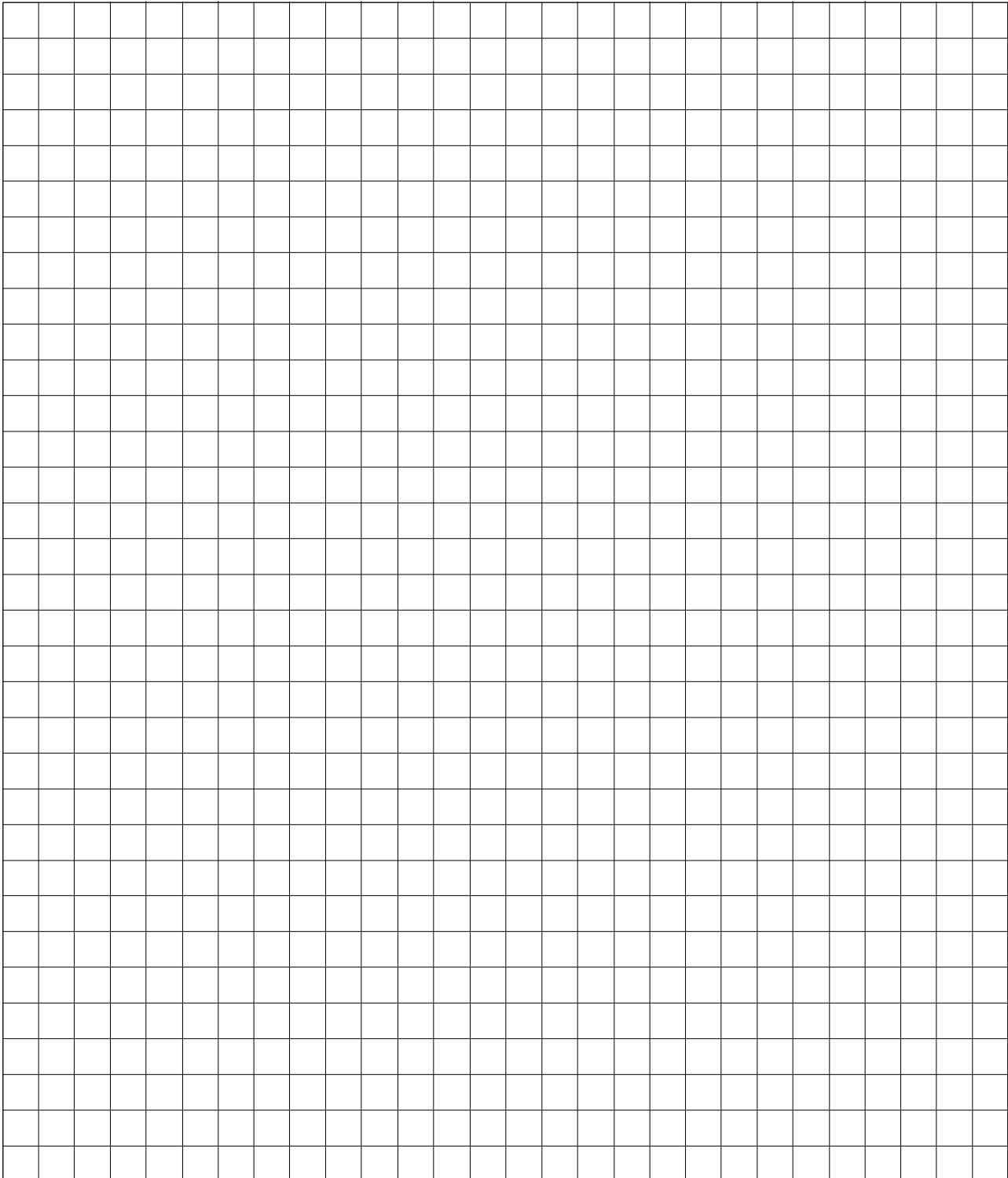
PRODUCT INFORMATION AND PROJECT LAYOUT

Contractor _____

Customer Name _____

Job Location _____

Draw your installation below, including dimensions, then select parts required from the list on other side of this sheet.
Select sizes required according to dimensions of linesets, drain hose & wiring.

A large grid for drawing the installation layout, consisting of 20 columns and 30 rows of squares.

**WE ARE COMMITTED
TO DO WHAT IT TAKES TO
DELIVER WORLD CLASS
SERVICE AND PRODUCTS.**



6650 Sugarloaf Parkway
Duluth, GA 30097

678.542.3600
800.995.2222
678.542.3700 Fax
www.diversitech.com

Download an electronic copy of this catalog at
www.diversitech.com/literature/lit-cat-msplit.pdf

©2008 DiversiTech Corporation
LIT-CAT-MSPLIT, 1/08

