



SOUTHWARK METAL MANUFACTURING COMPANY

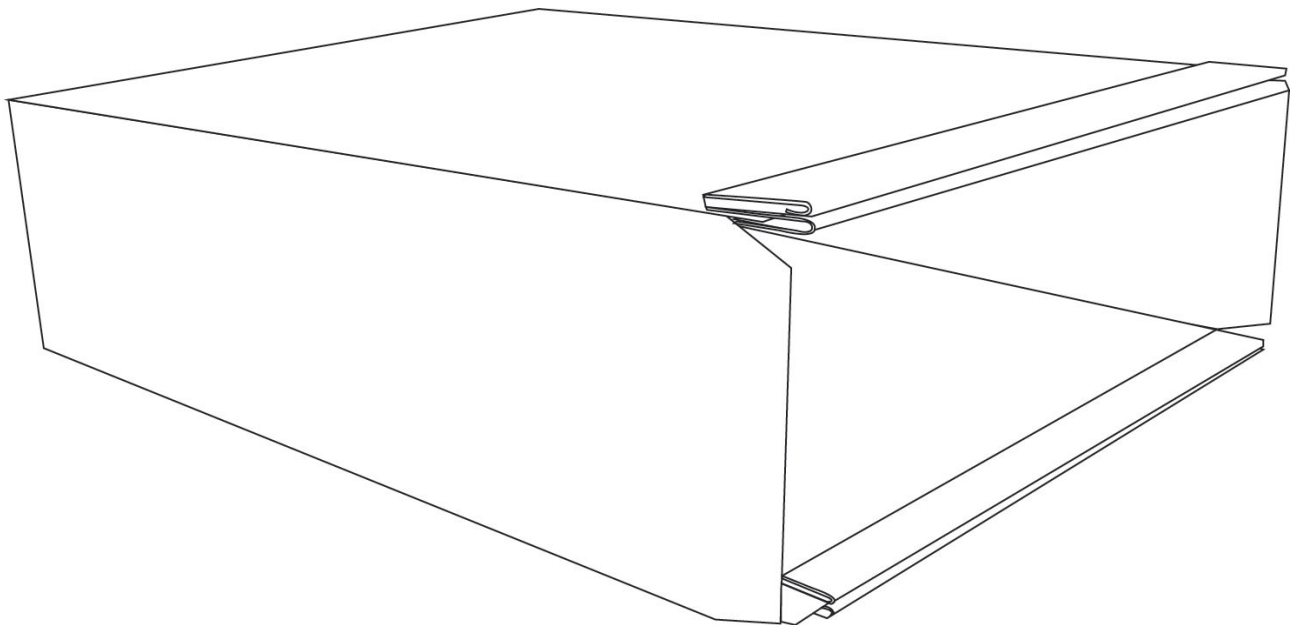
Philadelphia, PA • Greenville, SC • Indianapolis, IN • Southaven, MS • Fremont, NE • Caldwell, ID

Corporate Headquarters: 2800 Red Lion Road, Philadelphia PA 19114

tel: (800) 523-1052 • fax (800) 722-2076 • www.southwarkmetal.com

SUBMITTAL DRAWING

**WALLSTACK
(MODEL NO:WS)**



NOTES

- Material: Hot Dipped Galvanized Steel per ASTM A653 CS Type B
- 30 Gauge
- 12", 24", 30", 60" and 100" lengths available
- Standard opening sizes available: 2 1/4 x 10, 2 1/4 x 12, 2 1/4 x 14, 3 1/4 x 8, 3 1/4 x 10, 3 1/4 x 12, 3 1/4 x 14
- Button snaplock
- Stack s-cleat is attached
- Two pieces per joint section
- No tools and no indentations; just snap to close
- 10 per carton

JOB NAME: _____
 LOCATION: _____
 ARCHITECT: _____
 ENGINEER: _____
 CONTRACTOR: _____

DATE: 07/30/13	SW-WSPHL	SD-0090
----------------	----------	---------

Wallstack
 MODEL NO:WS