



**SOUTHWARK METAL MANUFACTURING COMPANY**

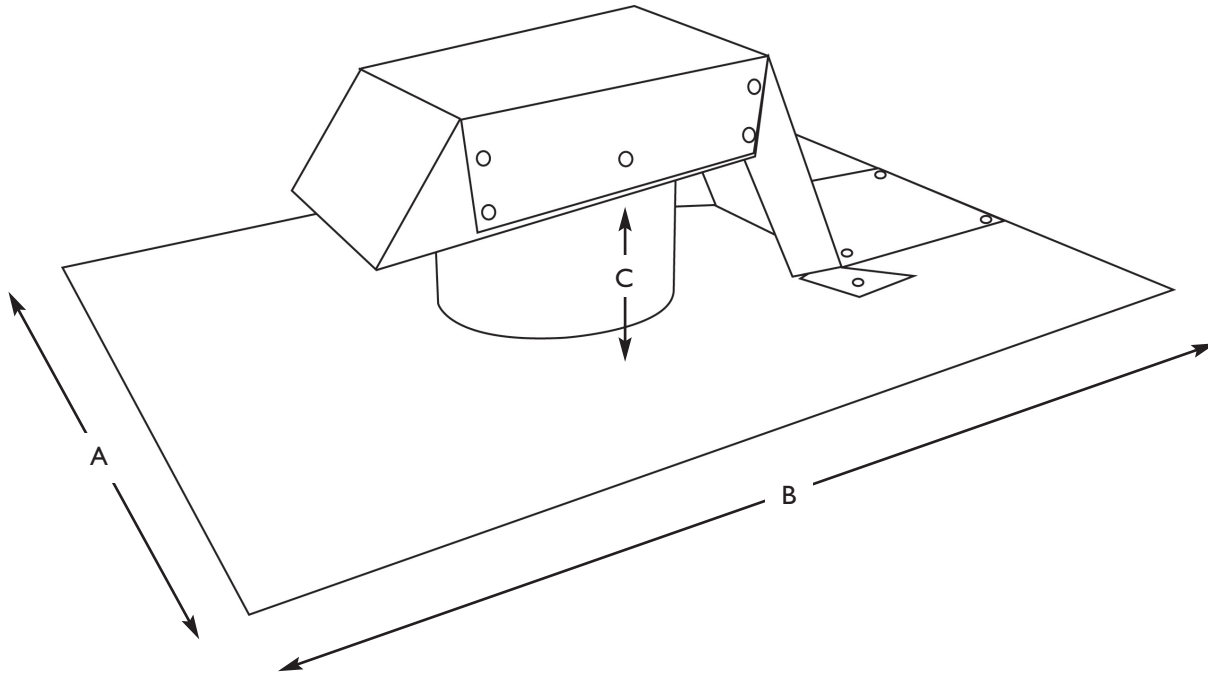
Philadelphia, PA • Greenville, SC • Indianapolis, IN • Southaven, MS • Fremont, NE • Caldwell, ID

Corporate Headquarters: 2800 Red Lion Road, Philadelphia PA 19114

tel: (800) 523-1052 • fax (800) 722-2076 • www.southwarkmetal.com

**SUBMITTAL DRAWING**

**ROOF JACK  
(MODEL NO: RJ)**



Pipe Diameter	A	B	C	Overall Height
4"	13"	18"	2 5/8"	4 3/4"
6"	15"	20 7/8"	2 1/2"	4 3/8"

**NOTES**

- Material: Hot Dipped Galvanized Steel per ASTM A653 CS Type B
- 26 gauge

JOB NAME: \_\_\_\_\_  
 LOCATION: \_\_\_\_\_  
 ARCHITECT: \_\_\_\_\_  
 ENGINEER: \_\_\_\_\_  
 CONTRACTOR: \_\_\_\_\_

DATE: 09/24/13

SW-RJNE

SD-0119

Roof Jack  
 MODEL NO: RJ