



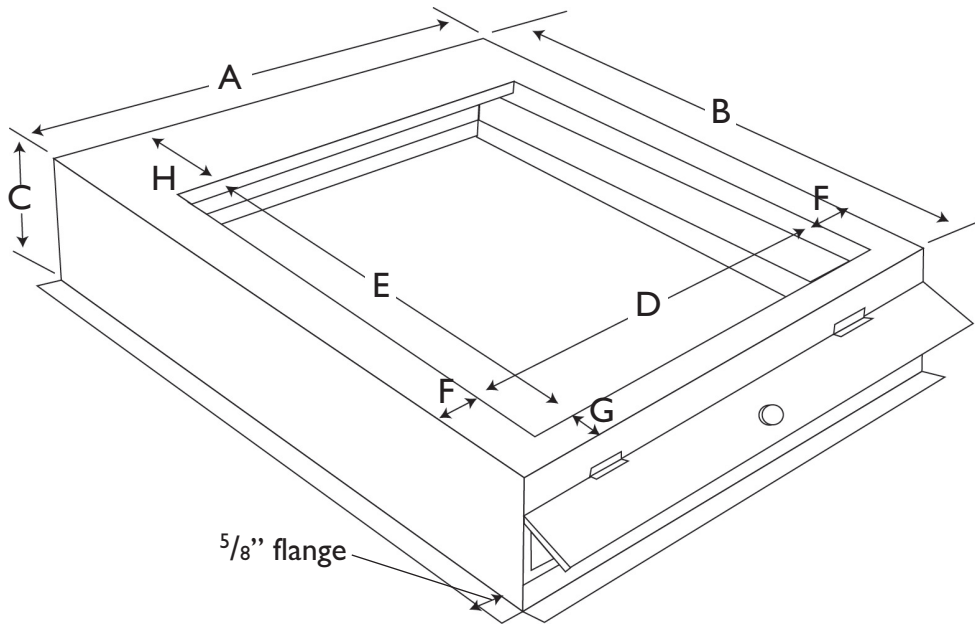
SOUTHWARK METAL MANUFACTURING COMPANY

Philadelphia, PA • Greenville, SC • Indianapolis, IN • Southaven, MS • Fremont, NE • Caldwell, ID • Phoenix, AZ

Corporate Headquarters: 2800 Red Lion Road, Philadelphia PA 19114

tel: (800) 523-1052 • fax (800) 722-2076 • www.southwarkmetal.com

SUBMITTAL DRAWING



**FURNACE
FILTER BASE
(MODEL NO: GFFB)**

FOR USE WITH
UPFLOW OR
HORIZONTAL
GAS FURNACES

Part Number	Filter Size	Overall			Opening		Top		
	1"	A	B	C	D	E	F	G	H
GFFB31425	14" x 25"	14 1/4"	28 5/8"	3"	11 3/4"	24 5/8"	1 1/4"	1"	3"
GFFB31625	16" x 25"	17 5/8"	28 5/8"	3"	15 1/8"	24 5/8"	1 1/4"	1"	3"
GFFB32025	20" x 25"	21 5/8"	28 5/8"	3"	19 1/8"	24 5/8"	1 1/4"	1"	3"
GFFB32424	24" x 24"	24 5/8"	28 5/8"	3"	22 1/8"	24 5/8"	1 1/4"	1"	3"

Part Number	Filter Size	Overall			Opening		Top		
	1" & 2"	A	B	C	D	E	F	G	H
GFFB41425	14" x 25"	14 1/4"	28 5/8"	4"	11 3/4"	24 5/8"	1 1/4"	1"	3"
GFFB41625	16" x 25"	17 5/8"	28 5/8"	4"	15 1/8"	24 5/8"	1 1/4"	1"	3"
GFFB42025	20" x 25"	21 5/8"	28 5/8"	4"	19 1/8"	24 5/8"	1 1/4"	1"	3"
GFFB42424	24" x 24"	24 5/8"	28 5/8"	4"	22 1/8"	24 5/8"	1 1/4"	1"	3"

Part Number	Filter Size	Overall			Opening		Top		
	1", 2" & 4"	A	B	C	D	E	F	G	H
GFFB61425	14" x 25"	14 1/4"	28 5/8"	6"	11 3/4"	24 5/8"	1 1/4"	1"	3"
GFFB61625	16" x 25"	17 5/8"	28 5/8"	6"	15 1/8"	24 5/8"	1 1/4"	1"	3"
GFFB62025	20" x 25"	21 5/8"	28 5/8"	6"	19 1/8"	24 5/8"	1 1/4"	1"	3"
GFFB62424	24" x 24"	24 5/8"	28 5/8"	6"	22 1/8"	24 5/8"	1 1/4"	1"	3"

NOTES

- Material: Hot dipped galvanized steel per ASTM A653 CS Type B, 22 Ga
- For use with upflow/horizontal gas furnace
- Available in 3", 4" and 6" high

- 5/8" outboard flange
- No furnace panel or door to remove
- Uses standard size filters
- Lift access door with magnet

JOB NAME: _____
 LOCATION: _____
 ARCHITECT: _____
 ENGINEER: _____
 CONTRACTOR: _____

DATE: 5/1/20 SW-GFFBMS SD-0645

Furnace Filter Base
 MODEL NO: GFFB
 Furnace Filter Base for Upflow/Horizontal Gas Furnaces