



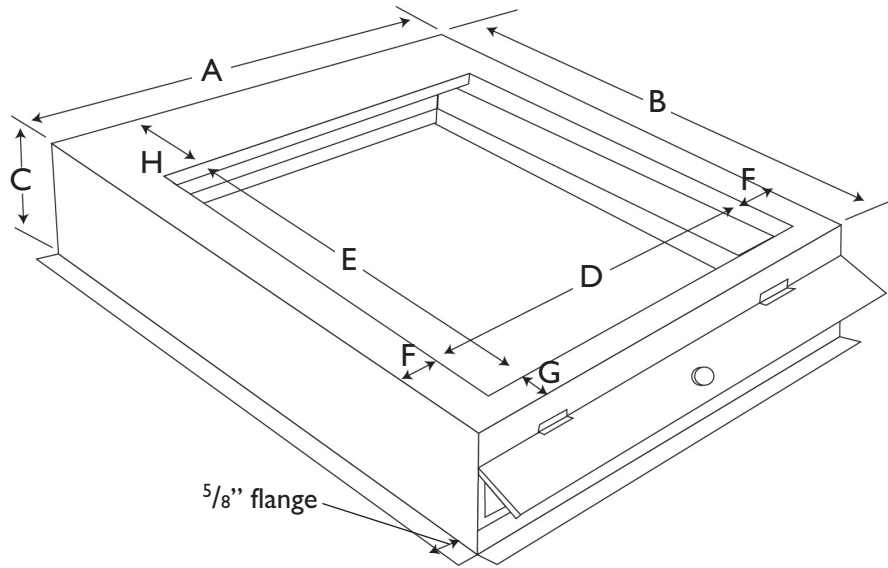
SOUTHWARK METAL MANUFACTURING COMPANY

Philadelphia, PA • Greenville, SC • Indianapolis, IN • Southaven, MS • Fremont, NE • Caldwell, ID • Phoenix, AZ

Corporate Headquarters: 2800 Red Lion Road, Philadelphia PA 19114

tel: (800) 523-1052 • fax (800) 722-2076 • www.southwarkmetal.com

SUBMITTAL DRAWING



**FURNACE
FILTER BASE
(MODEL NO: FCFB)**

FOR USE WITH
FAN OR COIL
UNITS

Part Number	Filter Size	Overall			Opening		Top		
	1"	A	B	C	D	E	F	G	H
FCFB31420	14" x 20"	14 1/4"	22"	3"	11 3/4"	19"	1 1/4"	1"	2"
FCFB31620	16" x 20"	17 1/2"	22"	3"	15"	19"	1 1/4"	1"	2"
FCFB32020	20" x 20"	21"	22"	3"	18 1/2"	19"	1 1/4"	1"	2"
FCFB32025	20" x 25"	22"	25"	3"	19 1/2"	21 5/8"	1 1/4"	1"	2 3/8"
FCFB32520	25" x 20"	25"	22"	3"	22 1/2"	19"	1 1/4"	1"	2"

Part Number	Filter Size	Overall			Opening		Top		
	1" & 2"	A	B	C	D	E	F	G	H
FCFB41420	14" x 20"	14 1/4"	22"	4"	11 3/4"	19"	1 1/4"	1"	2"
FCFB41620	16" x 20"	17 1/2"	22"	4"	15"	19"	1 1/4"	1"	2"
FCFB42020	20" x 20"	21"	22"	4"	18 1/2"	19"	1 1/4"	1"	2"
FCFB42025	20" x 25"	22"	25"	4"	19 1/2"	21 5/8"	1 1/4"	1"	2 3/8"
FCFB42520	25" x 20"	25"	22"	4"	22 1/2"	19"	1 1/4"	1"	2"

Part Number	Filter Size	Overall			Opening		Top		
	1", 2" & 4"	A	B	C	D	E	F	G	H
FCFB61420	14" x 20"	14 1/4"	22"	6"	11 3/4"	19"	1 1/4"	1"	2"
FCFB61620	16" x 20"	17 1/2"	22"	6"	15"	19"	1 1/4"	1"	2"
FCFB62020	20" x 20"	21"	22"	6"	18 1/2"	19"	1 1/4"	1"	2"
FCFB62025	20" x 25"	22"	25"	6"	19 1/2"	21 5/8"	1 1/4"	1"	2 3/8"
FCFB62520	25" x 20"	25"	22"	6"	22 1/2"	19"	1 1/4"	1"	2"

NOTES

- Material: Hot dipped galvanized steel per ASTM A653 CS Type B, 22 Ga
- For use with fan/coil units
- Available in 3", 4" and 6" high

- 5/8" outboard flange
- No furnace panel or door to remove
- Uses standard size filters
- Lift access door with magnet

JOB NAME: _____
 LOCATION: _____
 ARCHITECT: _____
 ENGINEER: _____
 CONTRACTOR: _____

DATE: 5/1/20 | SW-FCFBMS | SD-0646

Furnace Filter Base
 MODEL NO: FCFB
 Furnace Filter Base for Fan/Coil Units