



**SOUTHWARK METAL MANUFACTURING COMPANY**

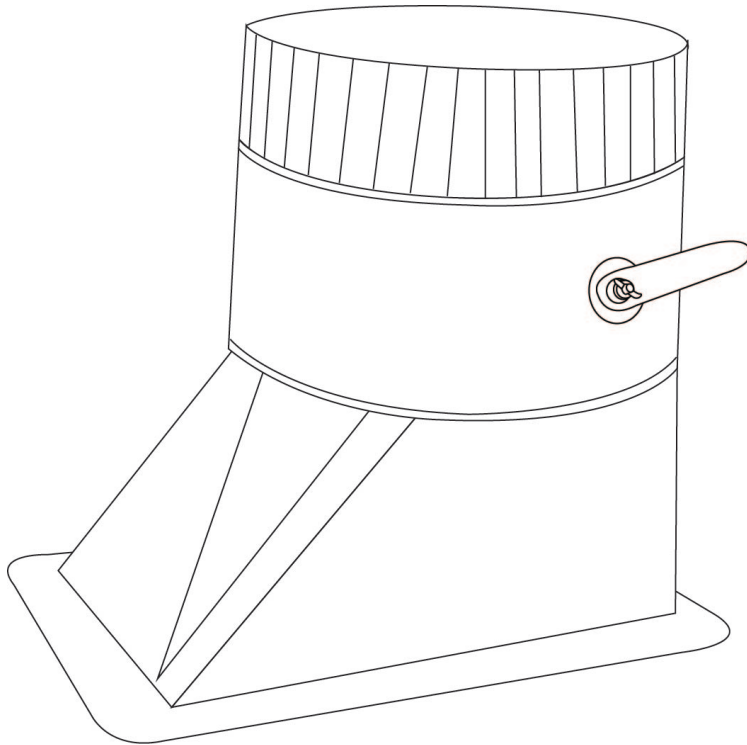
Philadelphia, PA • Greenville, SC • Indianapolis, IN • Southaven, MS • Fremont, NE • Caldwell, ID

Corporate Headquarters: 2800 Red Lion Road, Philadelphia PA 19114

tel: (800) 523-1052 • fax (800) 722-2076 • www.southwarkmetal.com

**SUBMITTAL DRAWING**

**HIGH EFFICIENCY AIR-TITE TOP TAKEOFF with DAMPER  
(MODEL NO:AT63 or AT63WD)**



Diameter	Base Opening	Overall Height	Gauge
4"	4 x 6	5"	30 Ga
5"	5 x 6	6"	30 Ga
6"	6 x 6	7 1/4"	30 Ga
7"	6 x 8	8 1/4"	30 Ga
8"	6 x 10	9 1/4"	30 Ga
9"	9 x 13	10 1/4"	28 Ga
10"	7 x 14	11 1/2"	28 Ga
12"	12 x 16	13 1/2"	28 Ga
14"	10 x 19	14 1/2"	26 Ga

**NOTES**

- Material: Hot Dipped Galvanized Steel per ASTM A653 CS Type B
- Rectangular opening
- 1" flange on all sides with neoprene gasket
- Collar length: 2 5/32" plain; additional 6" collar with damper
- Fitting available with damper (AT63WD)
- Damper uses 5/16" wingnut attached with washer (4" - 8" spade pin, 9" and up spring loaded)

JOB NAME: \_\_\_\_\_  
 LOCATION: \_\_\_\_\_  
 ARCHITECT: \_\_\_\_\_  
 ENGINEER: \_\_\_\_\_  
 CONTRACTOR: \_\_\_\_\_

DATE: 02/19/13 | SW-AT62NE | SD-0071

Air Tite Top Takeoff with Damper  
 MODEL NO:AT62 or AT62WD