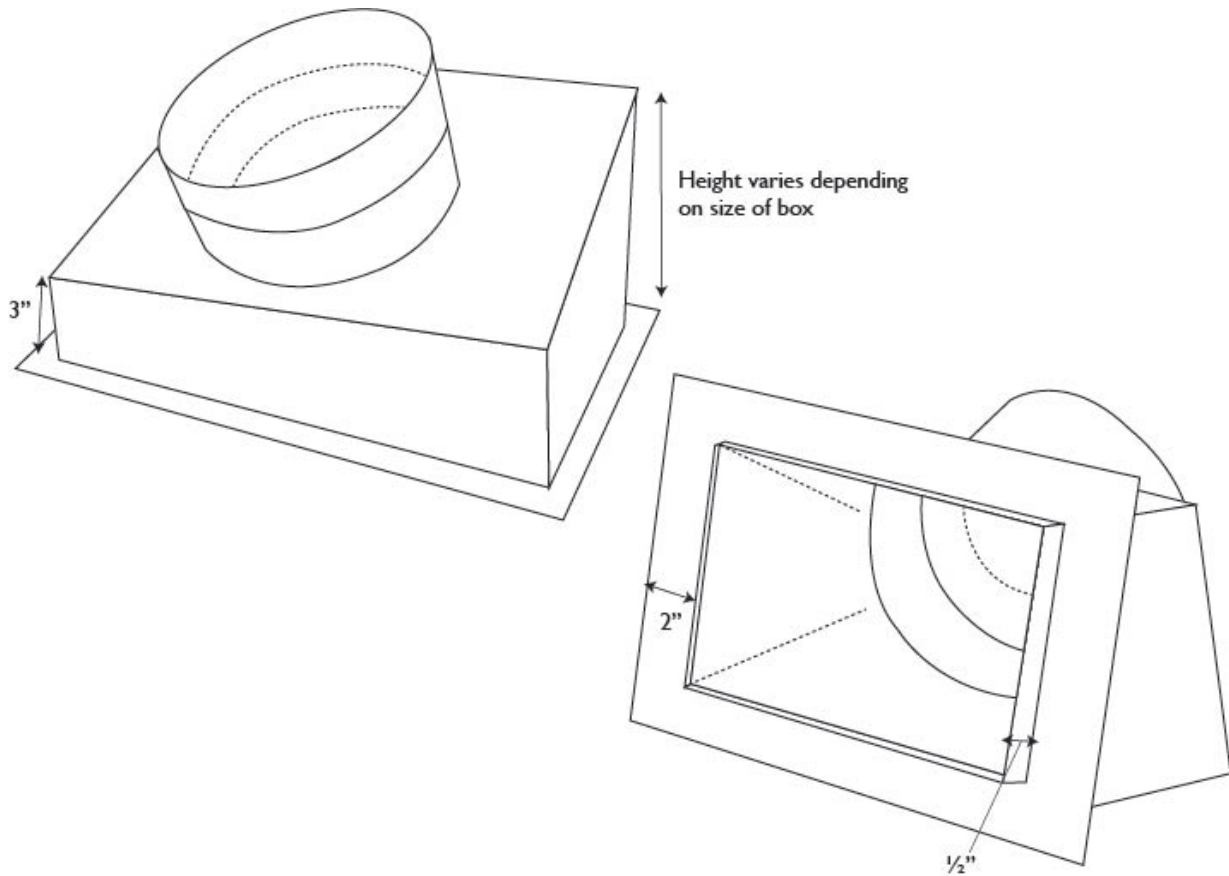




SUBMITTAL DRAWING

INSULATED CEILING BOX with SLANT TOP (MODEL NO: 86)



NOTES

- Material: Hot dipped galvanized steel per ASTM A653 CS Type B
- Gauge: Box 30 Ga (.012); Collar 28 Ga (.015)
- 2" Flange
- 1/2" Drywall Flange
- Flange on long side varies (consult factory)
- 3" Long Collar with Bead
- Liner available in R4, R6 and R8
- R4 (1"), R6 (1 1/2"), or R8 (2") Insulation

JOB NAME: _____
 LOCATION: _____
 ARCHITECT: _____
 ENGINEER: _____
 CONTRACTOR: _____

DATE: 03/05/12

SW-86SC

SD-1002

Insulated Ceiling Box with Slant Top

MODEL NO: 86

Insulated ceiling box with slant top with flange and outlet liner