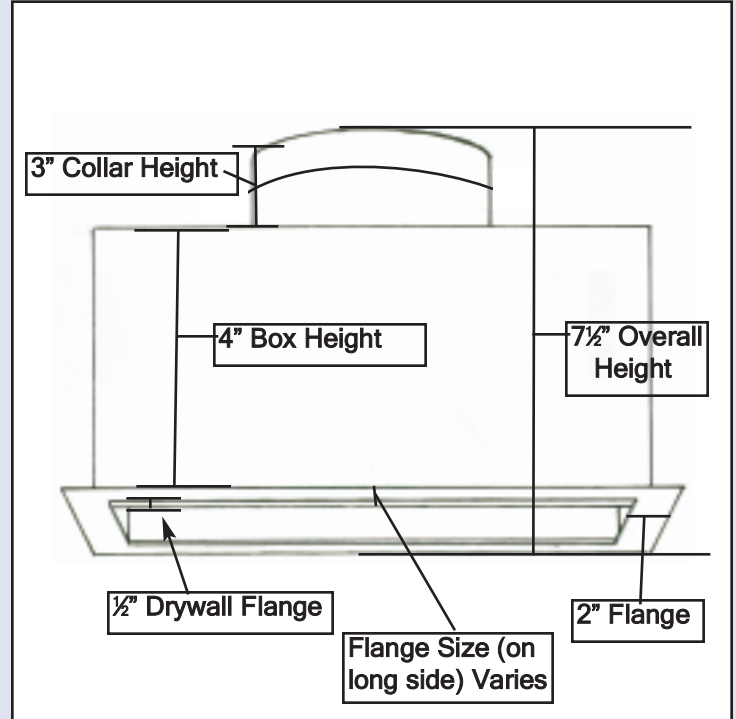




INSULATED CEILING BOX

(Model #85)



SPECIFICATIONS:

Technical Data

- Material: Hot Dipped Galvanized Steel per ASTM A653 CS Type B
- Gauge: Box 30Ga (.012), Collar 28Ga (.015)
- 2" Flange
- Flange on Long Side Varies (consult factory)
- 4" Box Depth
- 3" Long Collar with Bead
- 1/2" Drywall Flange
- 7 1/2" Overall Height
- R4 (1"), R6 (1 1/2"), or R8 (2") Insulation

Product Availability

Size	Diameter						
	4"	5"	6"	7"	8"	10"	12"
4 x 10	✓	✓	✓	✓	✓		
4 x 12	✓	✓	✓	✓	✓		
4 x 14			✓	✓	✓		
6 x 6		✓	✓				
6 x 10		✓	✓	✓	✓		
6 x 12			✓	✓	✓		
6 x 14			✓	✓	✓		
8 x 8			✓	✓	✓		
10 x 10					✓	✓	
12 x 12						✓	✓

SOUTHWARK METAL MFG. CO.

Indianapolis Division
 10401 E. 59th Street
 Indianapolis, IN 46236
 (800) 490-7707
 FAX (317) 823-1006

SOUTHWARK METAL MFG. CO.

Philadelphia Division
 2800 Red Lion Rd.
 Philadelphia, PA 19114
 (800) 523-1052
 FAX (800) 722-2076

SOUTHWARK METAL MFG. CO.

Greenville Division
 255 Bessie Road - Hwy 86
 Piedmont, SC 29673
 (800) 229-2803
 FAX (864) 845-6190

SOUTHWARK METAL MFG. CO.

Nebraska Division
 2073 North Rademakers Way
 Fremont, NE 68025
 (800) 801-0336
 FAX (402) 753-9008



SOUTHWARK METAL MFG. CO.

Mississippi Division
 8680 Stanton Road
 Southaven, MS 38671
 (800) 541-6706
 FAX (662) 393-8005