



SOUTHWARK METAL MANUFACTURING COMPANY

Philadelphia, PA • Greenville, SC • Indianapolis, IN • Southaven, MS • Fremont, NE • Caldwell, ID

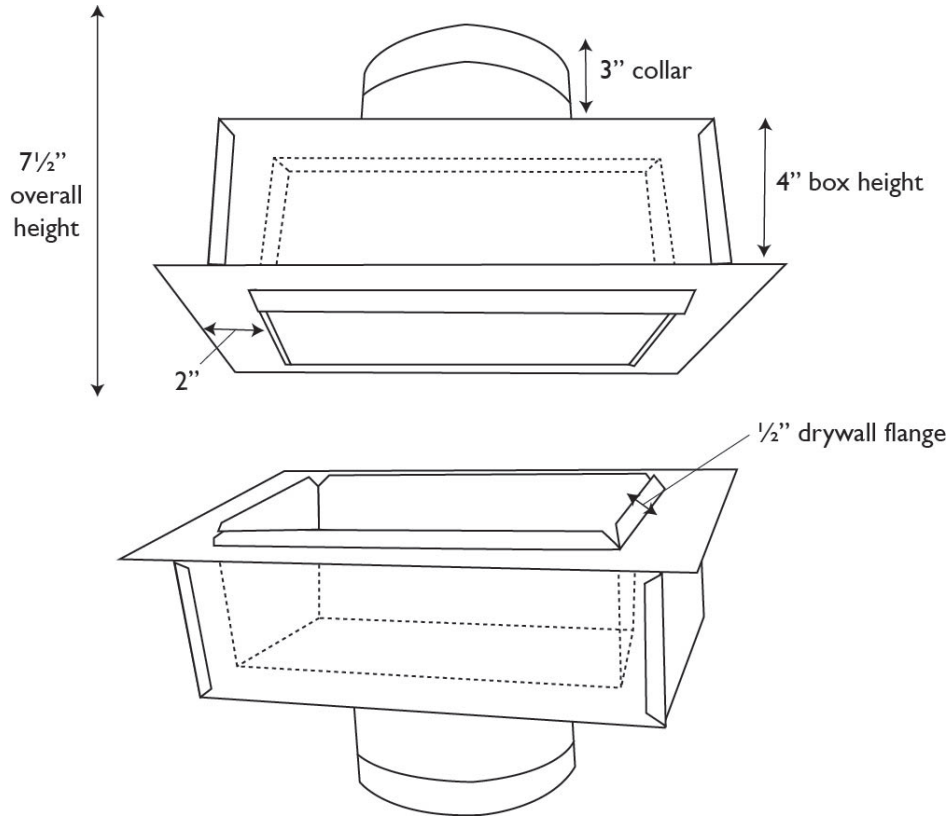
Corporate Headquarters: 2800 Red Lion Road, Philadelphia PA 19114

tel: (800) 523-1052 • fax (800) 722-2076 • www.southwarkmetal.com

SUBMITTAL DRAWING

INSULATED CEILING BOX

(MODEL NO: 85)



NOTES

- Material: Hot dipped galvanized steel per ASTM A653 CS Type B
- Gauge: Box 30 Ga (.012); Collar 28 Ga (.015)
- 2" Flange
- 1/2" Drywall Flange
- 3" Long Collar with Bead
- Liner available in R4, R6 and R8
- R4 (1"), R6 (1 1/2"), or R8 (2") Insulation

JOB NAME: _____
 LOCATION: _____
 ARCHITECT: _____
 ENGINEER: _____
 CONTRACTOR: _____

DATE: 04/11/12

SW-85CBGV

SD-0013

Insulated Ceiling Box

MODEL NO: 85

Insulated ceiling box with bottom flange and outlet liner