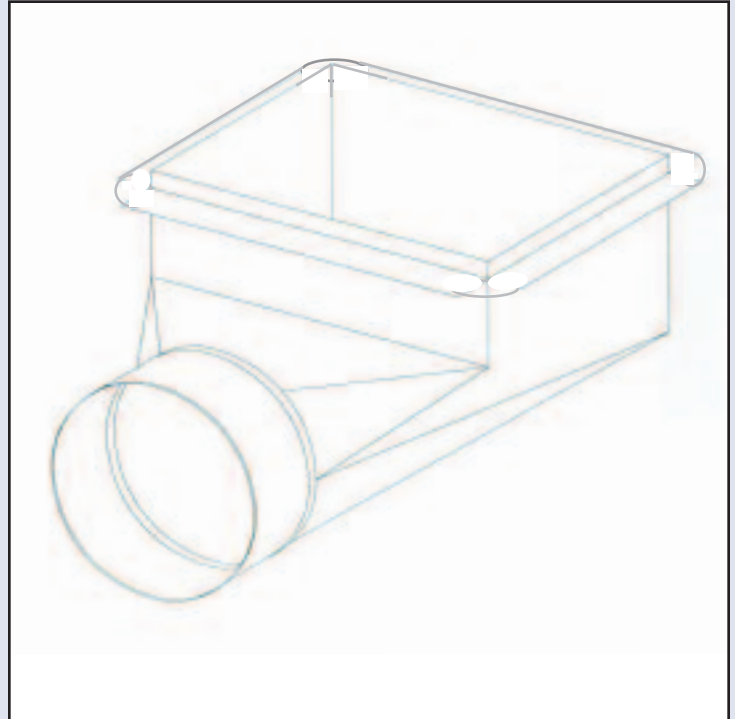




# 90° REGISTER BOOT w/FLANGE (Model No. 59F)



## SPECIFICATIONS:

### Technical Data

- Material: Hot Dipped Galvanized Steel per ASTM A653 CS Type B
- 30Ga
- 1" Flange on Rectangular Edge
- Hemmed Edge on Round Collar

### Product Availability

- Fits Standard Register Sizes
- Standard Collar Sizes 4" thru 8"
- Consult Factory for Special Sizes

#### **SOUTHWARK METAL MFG. CO.**

*Indianapolis Division*  
10401 E. 59th Street  
Indianapolis, IN 46236  
(800) 490-7707  
FAX (317) 823-1006

#### **SOUTHWARK METAL MFG. CO.**

*Philadelphia Division*  
2800 Red Lion Rd.  
Philadelphia, PA 19114  
(800) 523-1052  
FAX (800) 722-2076

#### **SOUTHWARK METAL MFG. CO.**

*Greenville Division*  
255 Bessie Road - Hwy 86  
Piedmont, SC 29673  
(800) 229-2803  
FAX (864) 845-6190

#### **SOUTHWARK METAL MFG. CO.**

*Nebraska Division*  
2073 North Rademakers Way  
Fremont, NE 68025  
(800) 801-0336  
FAX (402) 753-9008



#### **SOUTHWARK METAL MFG. CO.**

*Mississippi Division*  
8680 Stanton Road  
Southaven, MS 38671  
(800) 541-6706  
FAX (662) 393-8005