



SOUTHWARK METAL MANUFACTURING COMPANY

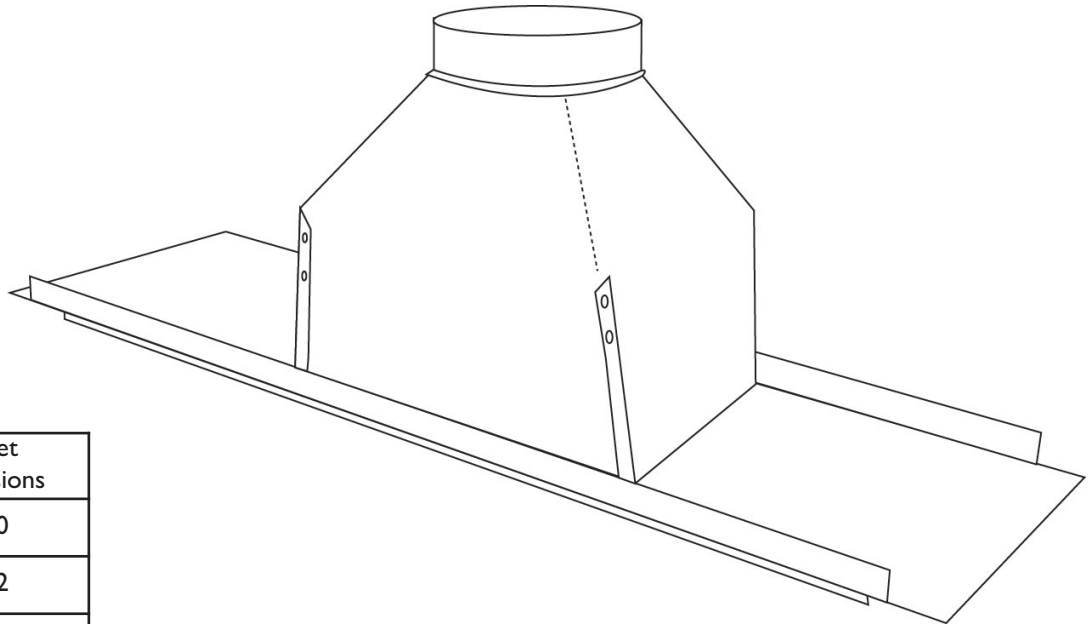
Philadelphia, PA • Greenville, SC • Indianapolis, IN • Southaven, MS • Fremont, NE • Caldwell, ID

Corporate Headquarters: 2800 Red Lion Road, Philadelphia PA 19114

tel: (800) 523-1052 • fax (800) 722-2076 • www.southwarkmetal.com

SUBMITTAL DRAWING

STRAIGHT CEILING BOX with PLATE
(MODEL NO: 5IP)



Product Availability

Collar	Outlet Dimensions
4", 5", 6", 7"	4x10
6", 7", 8"	4x12
6", 7", 8"	4x14
6"	6x6
5", 6", 7"	6x10
6", 7", 8"	6x12
6", 7", 8"	6x14

NOTES

- Material: Hot Dipped Galvanized Steel per ASTM A653 CS Type B
- 30 Ga body; 26 Ga plate
- 24" joist spacing
- Check with division for other available sizes upon request
- 6" boot length
- 1/2" drywall flange

JOB NAME: _____
 LOCATION: _____
 ARCHITECT: _____
 ENGINEER: _____
 CONTRACTOR: _____

DATE: 05/20/13 | SW-5IPNE | SD-0081

Straight Ceiling Box with Plate
 MODEL NO: 5IP