



**SOUTHWARK METAL MANUFACTURING COMPANY**

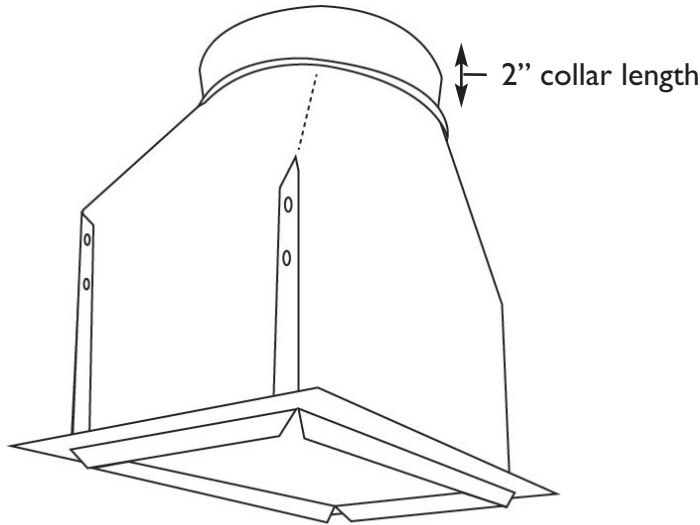
Philadelphia, PA • Greenville, SC • Indianapolis, IN • Southaven, MS • Fremont, NE • Caldwell, ID

Corporate Headquarters: 2800 Red Lion Road, Philadelphia PA 19114

tel: (800) 523-1052 • fax (800) 722-2076 • www.southwarkmetal.com

**SUBMITTAL DRAWING**

**STRAIGHT CEILING BOX with FLANGE**  
(MODEL NO: 51F)



Collar Size	Base Dimensions	Overall Height
4"	4x10	12"
5"	4x10	12"
6"	4x10	12"
6"	6x10	11½"
7"	6x10	12½"
7"	6x12	12½"
8"	6x12	12½"
8"	6x14	12¾"

**NOTES**

- Material: Hot Dipped Galvanized Steel per ASTM A653 CS Type B, 30 gauge
- Check with division for other available throat lengths, overall heights, and gauges
- 1" flange, ½" reveal flange

JOB NAME: \_\_\_\_\_  
 LOCATION: \_\_\_\_\_  
 ARCHITECT: \_\_\_\_\_  
 ENGINEER: \_\_\_\_\_  
 CONTRACTOR: \_\_\_\_\_

DATE: 12/21/12 | SW-51FGVL | SD-0135

Straight Ceiling Box with Flange  
 MODEL NO: 51F