



SOUTHWARK METAL MANUFACTURING COMPANY

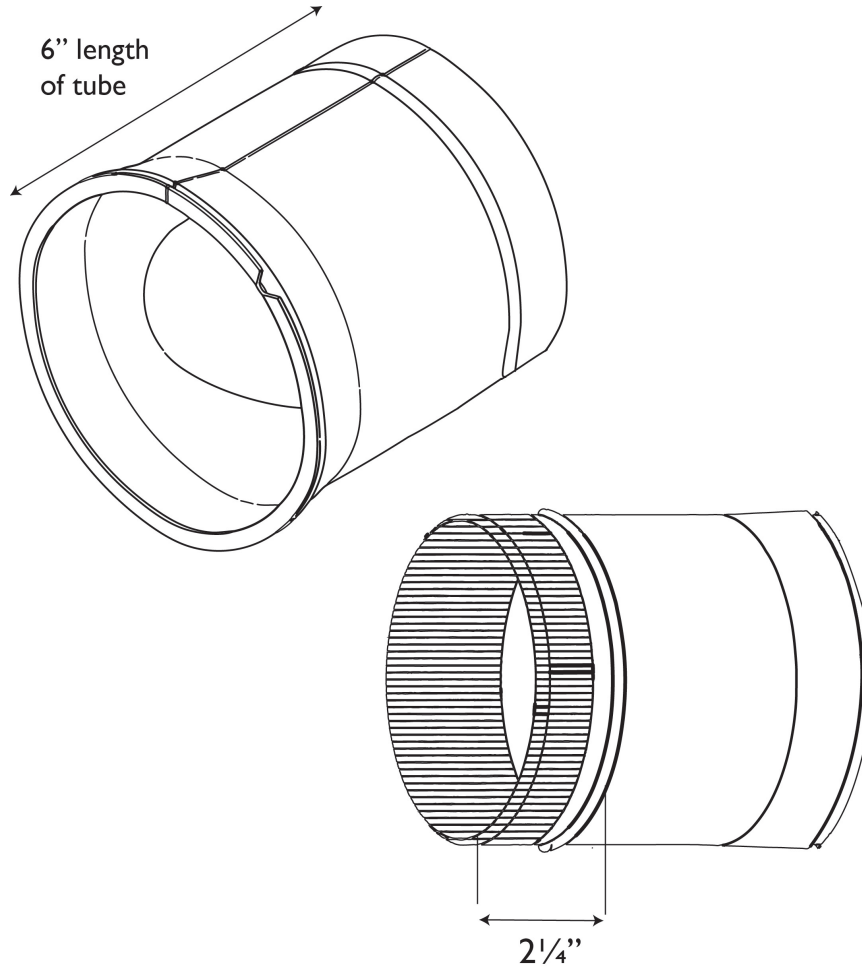
Philadelphia, PA • Greenville, SC • Indianapolis, IN • Southaven, MS • Fremont, NE • Caldwell, ID

Corporate Headquarters: 2800 Red Lion Road, Philadelphia PA 19114

tel: (800) 523-1052 • fax (800) 722-2076 • www.southwarkmetal.com

SUBMITTAL DRAWING

METAL SPIN FITTING with DAMPER
(MODEL NO: I56)



NOTES

- Material: Hot Dipped Galvanized Steel per ASTM A653 CS Type B
- 26 gauge
- 4" through 24" diameters available
- 2 1/4" from top of the bead to the bottom of the crimp

JOB NAME: _____
 LOCATION: _____
 ARCHITECT: _____
 ENGINEER: _____
 CONTRACTOR: _____

DATE: 8/12/13

SW-I56GVL

SD-0140

Metal Spin Fitting
MODEL NO: I56