



# SOUTHWARK METAL MANUFACTURING COMPANY

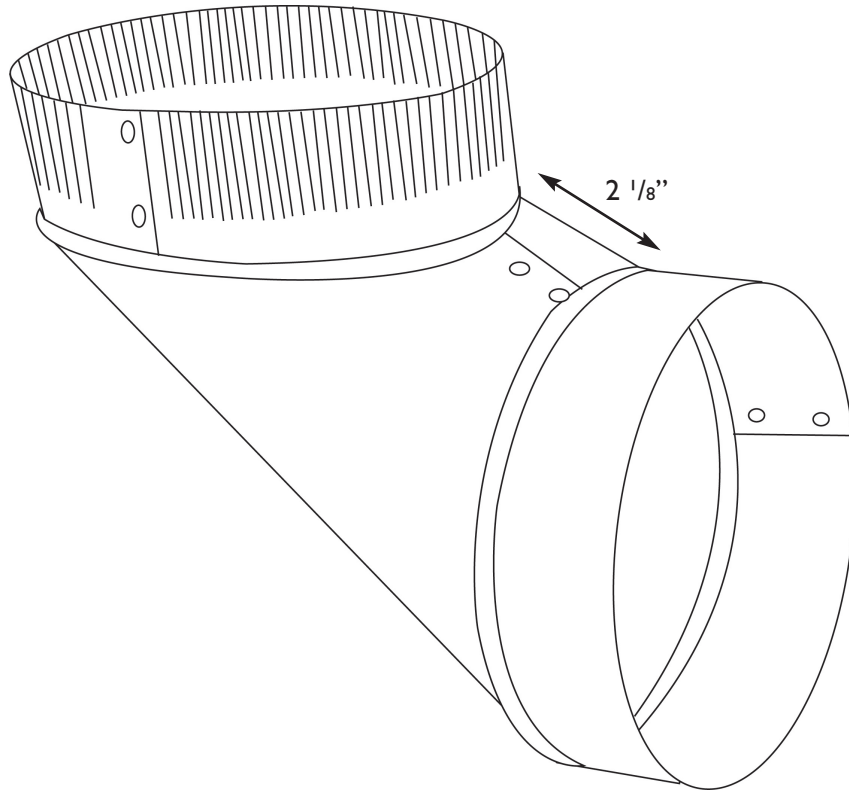
Philadelphia, PA • Greenville, SC • Indianapolis, IN • Southaven, MS • Fremont, NE • Caldwell, ID

Corporate Headquarters: 2800 Red Lion Road, Philadelphia PA 19114

tel: (800) 523-1052 • fax (800) 722-2076 • www.southwarkmetal.com

## SUBMITTAL DRAWING

### OVAL to ROUND REVERSE BOOT (MODEL NO: 106)



Product Availability

Oval Size	Round Size
5"	5"
6"	5"
6"	6"
7"	6"
7"	7"
8"	8"

### NOTES

- Material: Hot Dipped Galvanized Steel per ASTM A653 CS Type B
- 30 gauge
- Available with crimp oval (pictured above); crimp round, or no crimp
- 2 1/8" throat distance on all sizes

JOB NAME: \_\_\_\_\_  
 LOCATION: \_\_\_\_\_  
 ARCHITECT: \_\_\_\_\_  
 ENGINEER: \_\_\_\_\_  
 CONTRACTOR: \_\_\_\_\_

DATE: 10/28/13

SW-106OPHL

SD-0120

Oval to Round Reverse Boot  
MODEL NO: 106