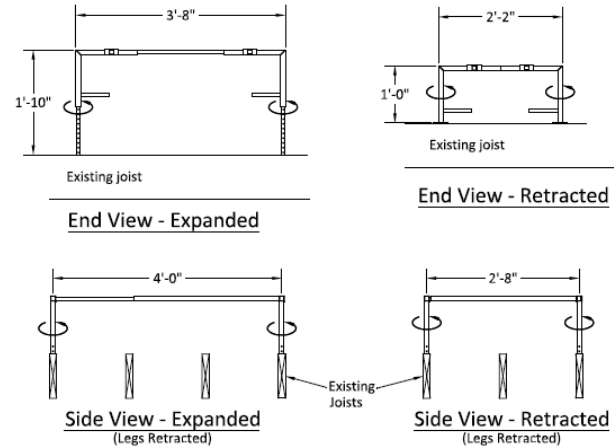


PARTS LIST

- (A) L-Bar w/ Drain Pan Shelf
- (B) 2 pc. Spacer Bar and Saddle
- (C) 3" x 1 1/2" Mounting Plate
- (D) 1/4" Thumb Screw in Tapped Hole
- (E) 24" Extension Bar
- (F) Adjustable Leg Extension (*)
- (G) 1 1/4" Long Thumb Screw & Wing Nut

(*) - Holes on both faces of Adjustable Leg Extension to allow legs to rotate 90°



U.S. Patent No. 8,827,232 B2

1. Remove partially pre-assembled Quick Stand from the box and lay out on a flat surface.
2. Insert 24" Extension Bar into each end of the L-Bar Frame. Adjust to desired width and insert and tighten 1/4" Thumbscrew.
3. Remove 1 1/4 " Thumbscrews & Wing Nuts ("G") in order to adjust height of unit in Adjustable Leg Extension. Use two tek screws in each leg when extending to your desired height for stability.
4. Attach the two 2-piece Spacer Bar & Saddle connecting both frames and tighten thumbscrews.
5. Place Quick Stand on desired location and attach in place using four 2" Pan Head Screws in each foot.

*Quick-Sling offers a 2-year warranty on steel, workmanship; 1-year warranty on powder coating.

