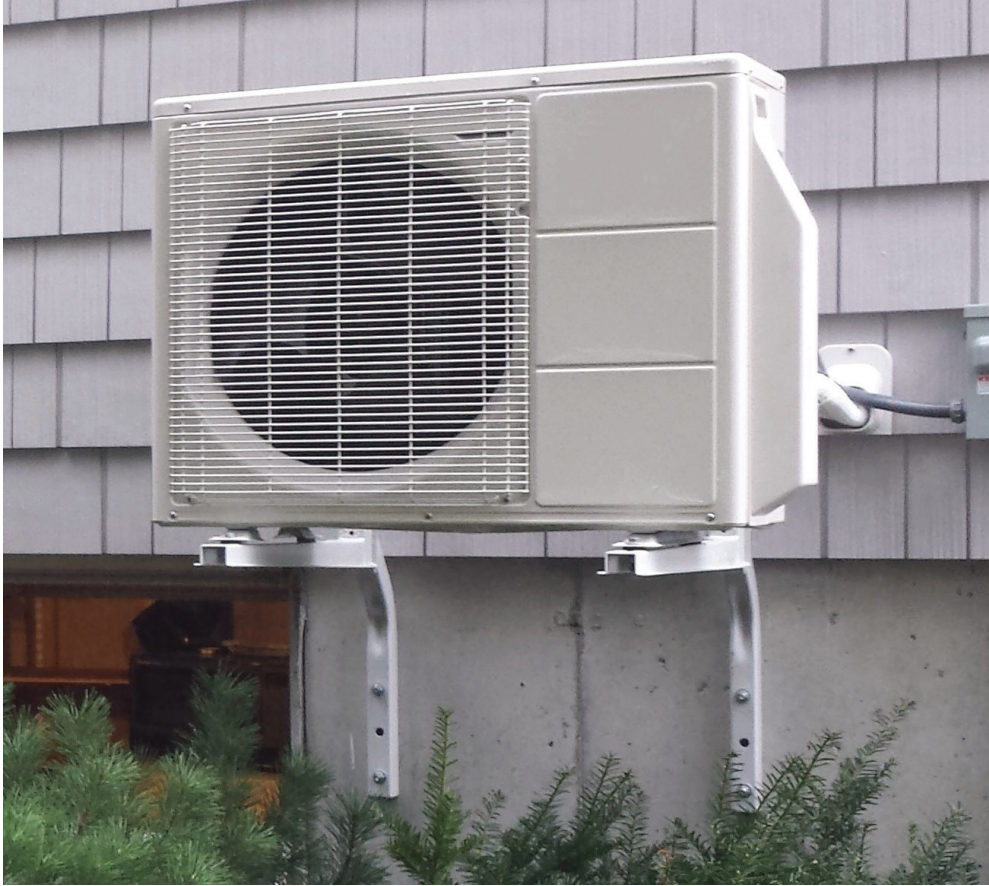


EQUIPMENT MOUNTING SOLUTIONS

Product Selection Guide



featuring
QUICK-SLING®
by **DIVERSITECH®**



REVOLUTIONIZING THE WAY
HVAC/R SYSTEMS ARE
MOUNTED AND INSTALLED!





QUICK-SLING®

by **DIVERSiTECH**®

TABLE OF CONTENTS

MINI-SPLIT MOUNTING SOLUTIONS	3 - 8
VRF/VRV SUPER STANDS	9
AIR HANDLERS	10 - 11
UNIT HEATER SWIVEL BRACKETS	12 - 14
BOILER/TANKLESS WATER HEATER BRACKETS	15
ACCESSORIES	16 - 19
DUCTED SPLIT SYSTEMS	20 - 31



Quick-Sling® is revolutionizing the way HVAC/R systems are installed. Most Quick-Sling® mounting systems come partially assembled and some can be installed in as little as 5 minutes, saving hours of labor time and unneeded part costs! Offering unmatched installation flexibility, Quick-Sling® products provide superior protection and safety for all types of HVAC/R equipment, including condensing units, heat pumps and mini-splits.

Quick-Sling® product lines are OEM recommended, manufactured in the U.S.A. and patented for their quality engineering. Developed by an HVAC contractor for HVAC contractors, these innovative products meet federal, state and local building and safety codes. Many of the stands and brackets are hurricane-approved by the Florida Building Commission.

If you're ready to save money, time and headache, turn to Quick-Sling® for your mounting system solution. There's nothing like it and nothing better.



MINI-SPLIT MOUNTING SOLUTIONS

The Quick-Sling® line of Mini-Split Stands and Brackets is engineered to provide a safe and stable platform to mount virtually any outdoor mini-split condensing unit or heat pump unit. Elevating valuable equipment protects it from damage caused by lawn mowers, pets, snow and flooding. It also makes installation and maintenance faster and easier. The full line of products includes Mini-Split Stands and Mini-Split Wall Brackets.



MINI-SPLIT STANDS

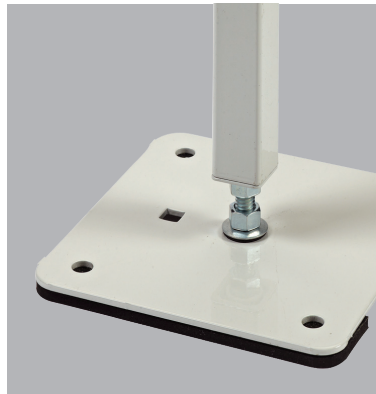
The Quick-Sling® Mini-Split Stands come partially assembled, are available in three heights and are adjustable to match the needs of most any installation.

ALSO AVAILABLE IN
STAINLESS STEEL



HEIGHT	MOUNTING HOLE DEPTH			
	8" - 12-7/8" Thin	11-1/2" - 17-1/8" Wide	15" - 25-13/16"	15" - 25-13/16" (3 Mounting Arms)
12"	QSMS1200	QSMS1201, QSMS1201-SS	QSMS1204	QSMS1205
18"	QSMS1800	QSMS1801, QSMS1801-SS	QSMS1804	QSMS1805
24"	QSMS2400	QSMS2401, QSMS2401-SS	QSMS2404	QSMS2405

SS = Stainless Steel option



FEATURES

- Made from strong 14-gauge square tubing capable of supporting up to 400 lbs
- Available in three heights to match the application requirements
- Thin and wide versions of each height provide a perfect equipment match
- 50 Durometer rubber pads are pre-installed on each foot to reduce vibration
- Each stand comes with "Hat Channel" mounting arms slotted to fit most all outdoor mini-split units
- All necessary hardware included

DUAL FAN MINI-SPLIT STANDS



The Quick-Sling® Dual Fan Unit Stand is designed to be extra stable to accommodate the taller dimensions of a dual fan outdoor condensing unit.

MODEL NUMBERS

12"	QSMS1202
18"	QSMS1802
24"	QSMS2402

FEATURES

- Available in 12", 18" or 24" heights
- 18" and 24" high stands come with additional stabilizer arms
- Made from strong 14 gauge square tubing and 11 gauge steel capable of supporting up to 400 lbs
- 8 Points of vibration isolation

DOUBLE STACK MINI-SPLIT STAND

The Quick-Sling® Double Stack Mini-Split Condensing Unit Stand mounts two single fan mini-split condensing units one above the other. This allows for two systems to only take up the foot print of a single system, reducing the overall installation space required.



MODEL NUMBERS

12"	QSMS1203
-----	----------

FEATURES

- Made from strong 14 gauge square tubing
- Each 6" x 6" foot is made from 11 gauge steel and is adjustable up to 1.25" in height
- Four 3/8" holes allow the stand feet to be easily secured to any surface
- 50 Durometer rubber pads are pre-installed on each foot to reduce vibration
- Rubber washers are provided to create four points of anti-vibration isolation for each mounting shelf
- Each stand comes with two offset mounting arms slotted to fit most all single fan outdoor mini-split units. The offset mounting arms allow heat pumps to be staggered to ensure the top unit does not drip on the bottom
- All necessary hardware is included
- Holds total of 600 lbs - 400 lbs on the bottom shelf and 200 lbs on the top shelf

PITCHED ROOF BRACKET

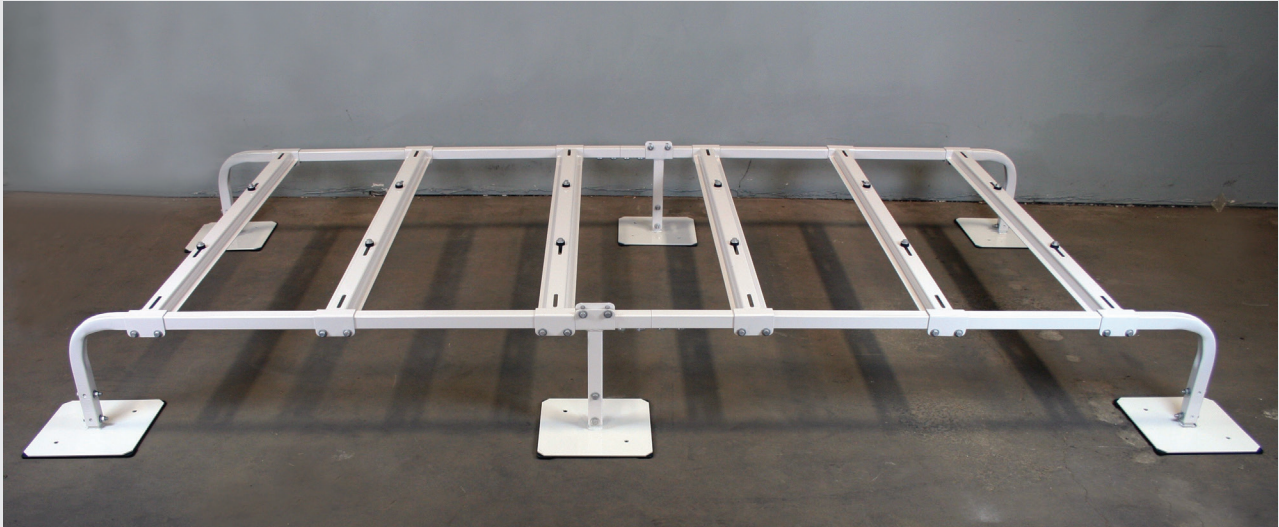
The pitched roof bracket provides a strong & stable platform to mount as outdoor mini-split unit to a sloped roof.



QSPR1000

FEATURES

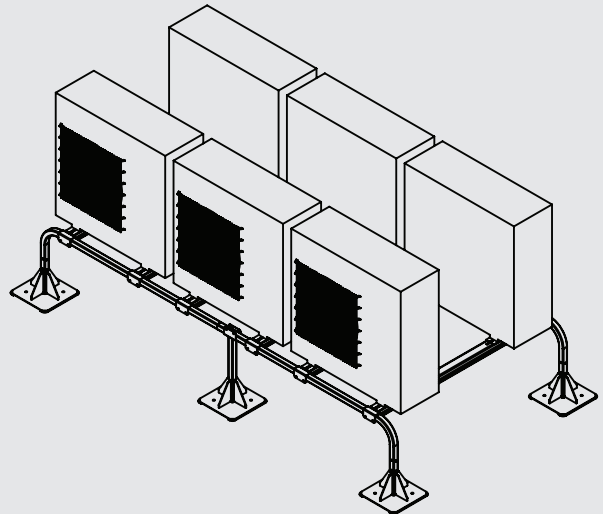
- Made from electro-galvanized powder-coated steel
- Mounting hardware and level included
- Adjustable to from 9° - 45° roof pitch



MINI-SPLIT MULTI-UNIT SUPER STANDS

The Quick-Sling® Mini-Split Multi-Unit Super Stand accommodates up to six outdoor mini-split condensing units on a single stand. With the addition of the extender kits condensing, units can be added in increments of two per kit.

HEIGHT	BASE STAND	EXTENDER KIT
12"	QSMS3001-12	QSMS3001-12EXT
18"	QSMS3001-18	QSMS3001-18EXT
24"	QSMS3001-24	QSMS3001-24EXT



FEATURES

- Constructed of 1.5" 11 gauge steel tubing and 11 gauge steel rails
- 12" x 12" 7 gauge feet for ground or roof mounting
- Two 1/2" holes in each foot to secure the stand
- Available in 12", 18" and 24" heights

Compatibility: Visit quicksling.diversitech.com for equipment compatibility selection tool.

MINI-SPLIT WALL BRACKETS

The Quick-Sling® line of Wall Brackets provides a quick, safe and stable means to mount an outdoor mini-split unit to multiple types of wall structures. Designed to allow the equipment manufacturer's recommended clearance for proper airflow.

WALL TYPE	WEIGHT CAPACITY	ITEM NUMBER
Flat Wall	500 lbs	QSWB1000
Siding	350 lbs	QSWB2000
Siding	500 lbs	QSWB4000
Foundation	300 lbs	QSWB3000



QSWB1000

Heavy Duty, Flat Wall Mounting Bracket

FEATURES

- Made from powder coated 11 gauge steel square tubing
- 500 lbs load capacity
- Four points of anti-vibration with 50 Durometer rubber washers
- Includes galvanized mounting hardware
- The QSWB1000 "L" brackets can be mounted in either the up and out or down and out orientation
- Mounting shelf is 26" in depth and pre-slotted for quick unit mounting



QSWB1100

Heavy Duty, Flat Wall or Wall Stud Mounted Bracket

FEATURES

- Made from powder coated 11 gauge steel square tubing
- Includes two slider mounting tracks for mounting to standard wall studs
- 500 lbs load capacity
- Four points of anti-vibration with 50 Durometer rubber washers
- Includes galvanized mounting hardware
- The QSWB1000 "L" brackets can be mounted in either the up-and-out or down-and-out orientation
- Mounting shelf is 26" in depth and pre-slotted for quick unit mounting



QSWB2000/QSWB4000

Flat or Siding Wall Mounted Bracket

FEATURES

- Made from powder coated 14 gauge steel with 350 lbs load capacity
- Six points of vibration isolation with 50 Durometer rubber washers
- Adjustable to 34" in width
- All necessary hardware included
- QSWB4000 is made from 11 gauge steel and can hold up to 500 lbs
- Both models are available in stainless steel (QSWB2000SS / QSWB4000SS)
- Hurricane rated Wall Brackets



QSWB3000

Concrete Foundation Mounted Bracket

FEATURES

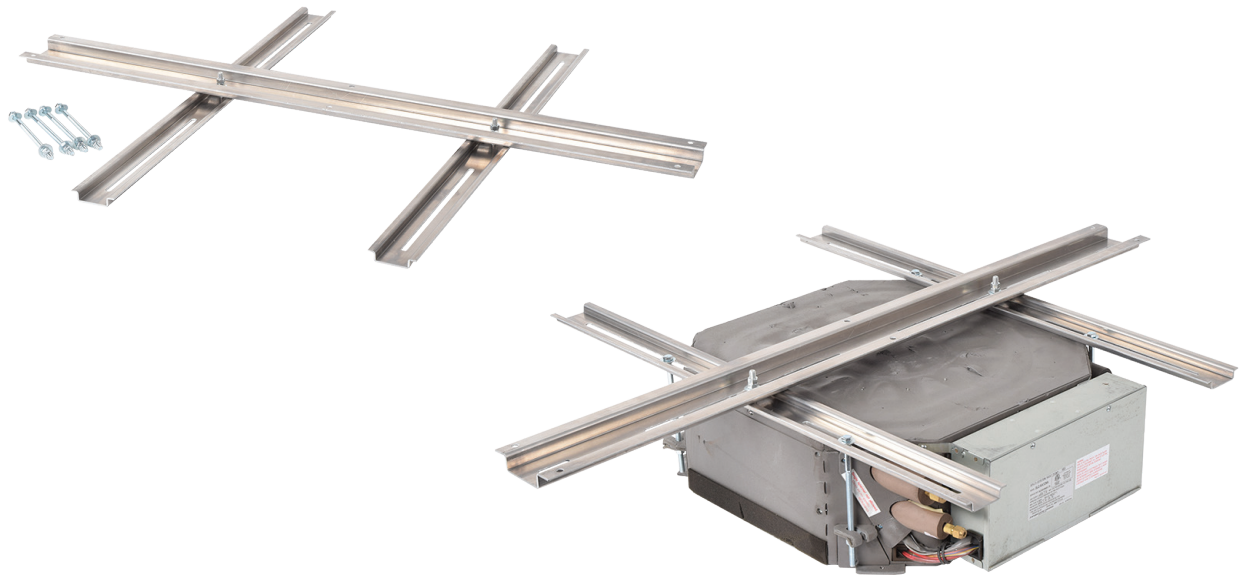
- Made from powder coated 11 gauge steel square tubing
- 300 lbs load capacity
- Four points of anti-vibration with 50 Durometer rubber washers
- 19" shelf depth, plus 7" of clearance from Z bend allows ample space between wall and equipment
- Reduces potential vibration through walls



Compatibility: Visit quicksling.diversitech.com for equipment compatibility selection tool.

DUCTLESS CASSETTE HANGERS

The New Ductless Cassette Hangers are an innovative bracket design that is made of lightweight aluminum to provide quick and easy installation of ductless cassettes. Only two skus are needed to be compatible with most of the ductless cassettes on the market today. The built-in adjustability allows the alignment of the unit after it has been hung.



SIZE	ITEM NUMBER	WEIGHT CAPACITY
Small	QSCH1000	200 lbs
Large	QSCH2000	200 lbs

FEATURES

- Lightweight Aluminum Construction
- Strong enough for large cassettes
- Adjustable position after installation
- Hardware included
- Only 2 part numbers needed to match most all the cassette manufacturers on the market today.

Compatibility: Visit quicksling.diversitech.com for equipment compatibility selection tool.

VRF/VRV SUPER STANDS

The Quick-Sling® Super Stands® are designed to provide a strong and stable mounting platform for most all brands of VRF/VRV outdoor units. Super Stands® come partially assembled to make installation quick and easy. Most all application configurations can be accomplished with only 9 single unit base item numbers and 9 extensions item numbers making selecting the correct stand quick and easy.



STAND HEIGHT	BASE SINGLE UNIT STANDS			EXTENSIONS		
	MOUNTING RAIL LENGTH			MOUNTING RAIL LENGTH		
	48"	62"	74"	48"	62"	74"
12"	QSSB48-12	QSSB62-12	QSSB74-12	QSSX48-12	QSSX62-12	QSSX74-12
18"	QSSB48-18	QSSB62-18	QSSB74-18	QSSX48-18	QSSX62-18	QSSX74-18
24"	QSSB48-24	QSSB62-24	QSSB74-24	QSSX48-24	QSSX62-24	QSSX74-24



SLIDING RAIL DESIGN



EXTENSION KIT



MOUNTING SLOTS

FEATURES

- Main supports are made from 11 gauge, 1½" steel square tubing.
- Super Stands are modular and can accommodate a single unit or multi-unit configurations.
- Super Stand Feet are 12"x12" 7-gauge steel with 3/8" holes for optional mounting
- Capable of being installed on rubber roofs for non-penetrable applications or secured to roof structure when required.
- Available in 12", 18" or 24" heights
- Adjustable depth and mounting slots will fit most all equipment mounting holes configurations.
- Super Stands are approved by the Florida Building Commission for use in High Velocity Hurricane Zones.
- Three cross rail sizes allow for hundreds of unique size combinations to meet most any application need.
- The online product selector tool provides quick equipment compatibility matches as well as access to drawings and documentation.
- The Quick-Sling® mobile app enables convenient access to documentation drawings and product selection tool as well as other job site management tools.
- Optional Snow Hoods are available for select brands.

Compatibility: Visit quicksling.diversitech.com for equipment compatibility selection tool.

AIR HANDLERS

VERTICAL AIR HANDLER STANDS

Quick-Sling® Vertical Air Handler Stands are built strong and stable and are adjustable to fit most all manufacturers products.



ARM WIDTH	12" STAND HEIGHT	18" STAND HEIGHT	24" STAND HEIGHT
19"	QSTD4000	QSTD5000	QSTD6000
23"	QSTD4001	QSTD5001	QSTD6001
27"	QSTD4002	QSTD5002	QSTD6002

FEATURES

- Adjustable left to right in 1" increments up to 6"
- The 18" and 24" stands include 2 stabilizer arms for additional support.
- Each stand has a 500 lbs load capacity.
- Each 11 gauge 6" x 6" foot has predrilled holes to accept 1/4" hardware to mount to supporting structure.
- Stand is constructed of 14-gauge square steel tubing.

Compatibility: Visit quicksling.diversitech.com for equipment compatibility selection tool.

HORIZONTAL AIR HANDLER STANDS

The QSTD horizontal air handler stands provides faster installation and accomodates a drain pan (not included).



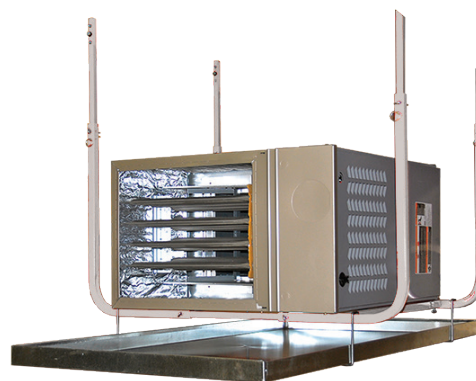
VERSION	ITEM NUMBER	WEIGHT CAPACITY
Standard Duty	QSTD1000	500 lbs
Light Duty	QSTD2000	300 lbs

FEATURES

- Standard Duty Stand is adjustable in 3 directions. Made of 14 gauge steel and can hold 500 lbs.
- Light Duty Stand has wire hangers to hold a drain pan and is 12" tall & 36" wide. Adjustable length from 32" to 48".

HANGING BRACKETS

The original Quick-Sling® Hanging Bracket provides a quick, safe and solid platform to mount air handlers and furnaces.



APPLICATION	WEIGHT CAPACITY	ITEM NUMBER
Standard Duty	400 lbs	QSLG2000

FEATURES

- Solid, 14 ga steel square tube construction
- Stable, non-swinging platform
- Custom mounting hardware included
- 3-dimensional adjustment
- 400 lbs Max Capacity
- Includes Vibration Isolation pads and washers

Compatibility: Visit quicksling.diversitech.com for equipment compatibility selection tool.

UNIT HEATER SWIVEL BRACKETS

The Quick-Sling® line of Unit Heater Swivel Brackets are uniquely designed to provide fast and easy installation of most all ceiling mounted Unit Heaters. The innovative swivel design allows for 360° rotation for setting the perfection air flow direction prior to hard piping the unit. Multiple ceiling mounting options adapt to various installation applications.

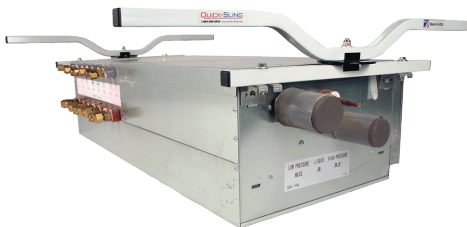
EQUIPMENT MOUNT	"U" MOUNT	FLUSH MOUNT
"H" Bracket	QSWI1000	QSWI3000
"I" Bracket	QSWI2000	QSWI4000
36" Spreader Plate	-	QSWI3001
17" Spreader Plate	-	QSWI3002
Heavy Duty Plate	-	QSWI5000
Dual "I" Brackets (Heavy Duty)	-	QSWI6000
Ceiling	-	QSWI4001
"I" Bracket Heavy Duty (Small)	-	QSWI4002



QSWI1000/QSWI2000



QSWI3000/QSWI3001 / QSWI3002



QSWI6000



QSWI5000

Compatibility: Visit quicksling.diversitech.com for equipment compatibility selection tool.

UNIT HEATER SWIVEL “U” MOUNT W/“H” OR “I” BRACKET

FEATURES

- “U” Ceiling mount installs on flat or pitched roofs and installs as high as 19.5” or as low as 27.5”
- QSWI1000 comes with two equipment mounting arms for 4 point mounting configuration
- QSWI2000 comes with a single equipment mounting arm for a 2 point mounting configuration
- Hanging arms attach to wood using 2 zip screws & a 4” through bolt for security. Optional steel beam adapters are also available.
- Each extension arm individually adjust in 1” increments
- Constructed from 14 gauge steel
- 200 lbs capacity



QSWI1000/QSWI2000

w/“H” Bracket (QSWI1000)
w/“I” Bracket (QSWI2000)

UNIT HEATER SWIVEL FLUSH MOUNT W/“H” BRACKET

FEATURES

- 12 points of anti-vibration isolation
- Flush Ceiling mount installs on flat roofs and is slotted to receive 3/8” lag bolts at either 16” or 24” on center.
- Can be mounted either parallel or perpendicular to joist.
- QSWI3001 comes with 36” spreader plate and 36” equipment connection arms and able to hold up to 200 lbs. Perfect for most ducted air handlers.
- QSWI3002 comes with a 17” spreader plate and 36” equipment connection arms and able to hold up to 200 lbs
- Constructed from 14 gauge steel
- 200 lbs capacity



QSWI3000/QSWI3001/QSWI3002

Unit Heater Swivel Flush Mount
w/“H” Bracket

Compatibility: Visit quicksling.diversitech.com for equipment compatibility selection tool.

UNIT HEATER SWIVEL FLUSH MOUNT HEAVY DUTY W "I" BRACKET

FEATURES

- Heavy duty mounting plate is designed to fit most large unit heaters up to 400 lbs.
- Flush Ceiling mount installs on flat roofs and is slotted to receive lag bolts at either 16" or 24" on center.
- Can be mounted either parallel or perpendicular to joist.



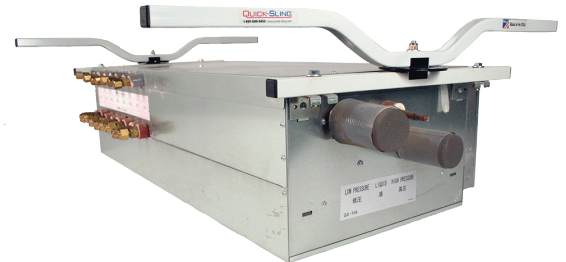
QSWI5000

Unit Heater Swivel Flush Mount
Heavy Duty w/"I" Bracket

BRANCH CIRCUIT CONTROLLER SWIVEL FLUSH MOUNT W 2 "I" BRACKETS

FEATURES

- Dual flush mounts with "I" bracket.
- Flush ceiling mount installs on flat roofs and is slotted to receive 3/8" lag bolts at either 16" or 24" on center.
- Can be mounted either parallel or perpendicular to joist.
- 400 lbs capacity



QSWI6000

Swivel Flush Mount
w/2 "I" Brackets

Compatibility: Visit quicksling.diversitech.com for equipment compatibility selection tool.

BOILER/TANKLESS WATER HEATER BRACKETS



The Quick-Sling® Boiler Bracket is compatible with most wall hung boilers and tankless water heaters.

WALL TYPE	WEIGHT CAPACITY	ITEM NUMBER
Floor	350 lbs	QSBB4000
Wall	350 lbs	QSBB3000



QSBB3000



QSBB4000

FEATURES

- Flexible mounting options
- Adjustable to fit most wall mounted boilers/tankless water heaters
- Made from strong powder-coated steel
- Partially assembled to make installation fast & easy

ACCESSORIES

ROOF BRACKETS

The Quick-Sling® Roof Bracket mounts to a QSWB3000 or the QSMS1200, 1201, 1202, 1800, 1801, 1802, 2400, 2401, 2401 and protects the equipment from snow and freezing rain.



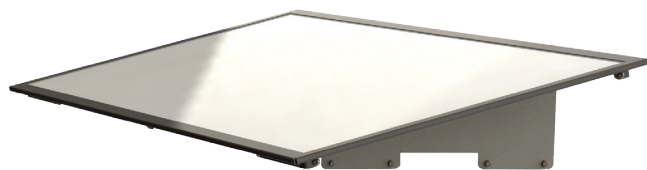
QSRB1000

FEATURES

- Designed to ensure proper airflow around equipment
- Roof made from durable, UV protected twin wall plastic
- Constructed of powder coated 14 ga steel
- Assembles in minutes

QUICK-SLING® WEATHERSHIELD™ ROOF COVER

The Quick-Sling® WeatherShield™ shields and protects outdoor ductless condensing units from weather damage. Quick-Sling® WeatherShield™ mounts directly to the mini-split and fits most sizes of equipment.



QSW1000

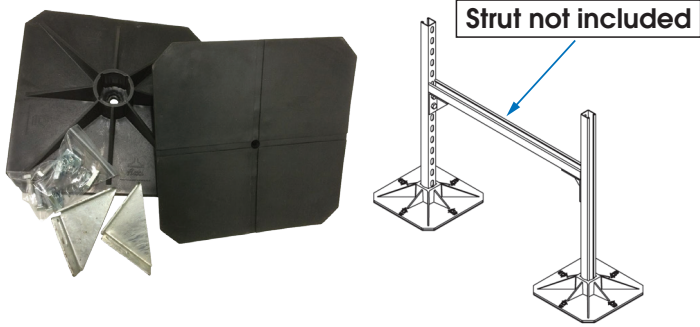


FEATURES

- Mounts directly to the outdoor unit
- Mounting hardware included
- Adjustable to fit the most popular mini-split sizes
- Quick and easy to install
- Strong, UV protected roof material

Compatibility: Visit quicksling.diversitech.com for equipment compatibility selection tool.

H-FRAME KITS



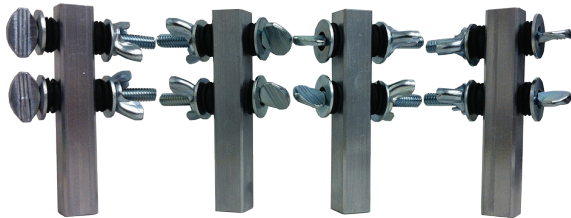
FEATURES

- Ideal for supporting ducts, pipes and electrical equipment.
- Kits include a pair of feet, brackets and hardware.
- 12.6" or 19.7" square feet available.

	ITEM #
H-Frame Kit - 12.5" foot	F-HF-320
H-Frame Kit - 19.7" foot	F-HF-500

STEEL BEAM ADAPTERS

The Quick-Sling® steel and wood adapters make it easy to mount the Quick-Slings on wood joists.



FEATURES

- Made of aluminum and able to hold up to 250 lbs each
- Slotted to receive 3/8" threaded rod or C-Clamps
- Designed to overcome the obstacle of attaching to steel beams.
- All necessary hardware is included.

QSAC1100/QSAC1000

	QTY OF 2	QTY OF 4
Steel Beam Adapters	QSAC1100	QSAC1000
Use with	QSWI1000	QSLG2000
	QSWI2000	

WOOD JOIST ADAPTERS



FEATURES

- Made of Steel and are 12" long and 2" wide
- Each wood adapters can hold 200 lbs each
- The 1.5" bend simply clips over the wood joist
- All necessary hardware is included.

	QTY OF 2	QTY OF 4
Wood Joist Adapters	QSAC2100	QSAC2000
Use with	QSWI1000	QSLG2000
	QSWI2000	

QSAC2100/QSAC2000

Compatibility: Visit quicksling.diversitech.com for equipment compatibility selection tool.

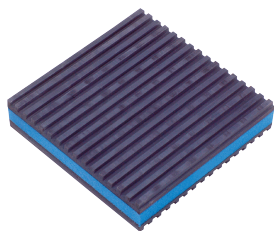
ANTI-VIBRATION PADS

DiversiTech's line of Anti-Vibration Pads provide noise, shock and vibration isolation generated by mechanical equipment. Multiple design options are available to match specific application needs.

PRODUCT	PSI CAPACITY	SIZE RANGE	MATERIAL	AVAILABLE THICKNESSES
EVA	50	2 in. x 2 in. - 18 in. x 18 in.	Composite Foam and Styrene Butadiene Rubber	7/8 in.
Iso-Cube	180	2 in. x 2 in. - 18 in. x 18 in.	Natural Rubber	3/4 in.
Rubber	50	2 in. x 2 in. - 18 in. x 18 in.	Natural Rubber	3/8 in.
Rubber/ Cork	50	2 in. x 2 in. - 18 in. x 18 in.	Natural Rubber and Cork	7/8 in.

E.V.A. ANTI-VIBRATION PADS

The latest generation in vibration dampening technology. The most effective vibration dampening pad available on the market. The E.V.A. Pad was tested against other pads at four different vibration settings. In the most severe vibration extremes, the E.V.A. Pad outperforms cork and rubber by a margin of greater than 3.1! This is due to the special composite foam center which is much more structurally sound than cork. It is not affected by oils or chemicals that can break down cork and is much more effective at vibration dampening than solid rubber. All this at a very competitive price. designed to withstand 50 PSI.



MP-2E

FEATURES

- E.V.A. outperforms cork & rubber 3:1
- Special composite foam center is structurally more sound than cork
- Not affected by oils or chemicals that break down cork
- More effective at vibration dampening than solid rubber

CATALOG NUMBER	DESCRIPTION	STD. PACK
MP-2E	2"x2"x7/8" E.V.A.	48
MP-3E	3"x3"x7/8" E.V.A.	36
MP-4E	4"x4"x7/8" E.V.A.	24
MP-6E	6"x6"x7/8" E.V.A.	24
MP-12E	12"x12"x7/8" E.V.A.	12
MP-18E	18"x18"x7/8" E.V.A.	6

Compatibility: Visit quicksling.diversitech.com for equipment compatibility selection tool.

ISO-CUBE ECONOMY ANTI-VIBRATION PADS



ISO-2

FEATURES

- Natural rubber pads designed to reduce vibration & noise emanating from refrigeration or AC systems
- Circular design creates suction cup effect reducing the need to bolt the pads down
- The 50 Durometer pads will withstand a load of 150 PSI

Natural rubber pads, designed to reduce vibration and noise emanating from refrigeration and air conditioning equipment. The circular design in each pad offers a suction cup effect, which eliminates the need to bolt the pads down. A standard 18" (46cm) pad is divided into eighty-one 2" (5cm) segments, each of which may be cut or torn to provide smaller pads. These 50 Durometer pads will withstand a load of 180 PSI with greater resiliency.

CATALOG NUMBER	DESCRIPTION	STD. PACK
ISO-2	2"x2"x3/4" Iso-Cube	24
ISO-4	4"x4"x3/4" Iso-Cube	12
ISO-18	4"x4"x7/8" Iso-Cube	6

RUBBER ANTI-VIBRATION PADS

The rubber pads are corrugated on both sides to reduce vibration and noise. Designed to withstand 50 lbs PSI. Ideal for air conditioners, compressors, cooling towers, presses, machines or anywhere vibration control is needed. Elastomeric oil resistant.



MP-3

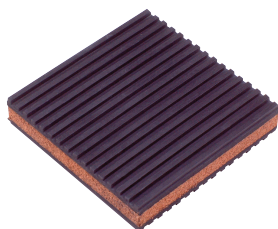
FEATURES

- Solid rubber construction
- Corrugated on both sides

CATALOG NUMBER	DESCRIPTION	STD. PACK
MP-2	2"x2"x3/8" Rubber	48
MP-3	3"x3"x3/8" Rubber	36
MP-4	4"x4"x3/8" Rubber	24
MP-6	6"x6"x3/8" Rubber	24
MP-8	8"x8"x3/8" Rubber	12
MP-12	12"x12"x3/8" Rubber	12
MP-18	18"x18"x3/8" Rubber	6

RUBBER/CORK ANTI-VIBRATION PADS

The cork is laminated between two corrugated pads to reduce vibration and noise. designed to withstand 50 lbs PSI. Ideal for air conditioners, compressors, cooling towers, presses, machines or anywhere vibration control is needed. Elastomeric oil resistant.



MP-4C

FEATURES

- Highest quality elastomeric oil-resistant padding
- Corrugated on both sides and laminated to cork center

CATALOG NUMBER	DESCRIPTION	STD. PACK
MP-2C	2"x2"x7/8" Rubber/Cork	48
MP-3C	3"x3"x7/8" Rubber/Cork	36
MP-4C	4"x4"x7/8" Rubber/Cork	24
MP-6C	6"x6"x7/8" Rubber/Cork	24
MP-8C	8"x8"x7/8" Rubber/Cork	12
MP-12C	12"x12"x7/8" Rubber/Cork	12
MP-18C	18"x18"x7/8" Rubber/Cork	6

Compatibility: Visit quicksling.diversitech.com for equipment compatibility selection tool.

DUCTED SPLIT SYSTEMS

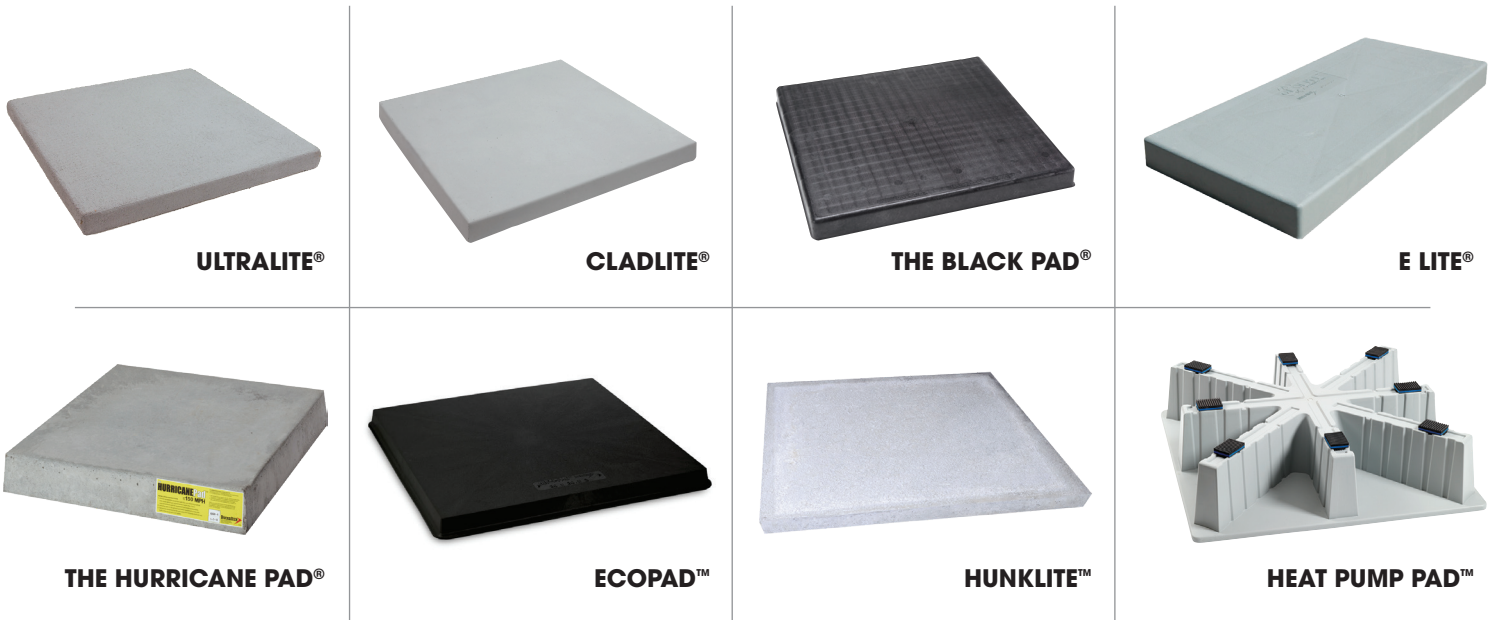
DiversiTech offers the industry's widest selection of pads for HVACR equipment and various other types of equipment. Plastic, concrete and anti-vibration pads are available.

Proven – We made our name in the industry as the premier supplier of HVAC equipment pads over four decades ago and we continue as the market leader today.

All Types – We have all sizes of pads in all forms to meet your exact needs, the widest selection in the industry by far!

Durable – Proven durability with each pad uniquely engineered using different ribbing patterns, thicknesses and depths, as well as base materials for maximum strength and minimum weight.

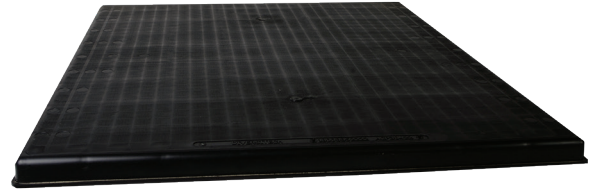
Simple – Installing DiversiTech pads is easy! Simplify your work!



Wind Tables: Visit diversitech.com.

THE BLACK PAD®

A heavy-duty plastic pad with an extra thick base surface, double-thick walls and ribbing, and flared bottom edges for maximum self-leveling equipment support.



2" THICK PADS

CATALOG NUMBER	SIZE (IN.)	ESTIMATED ALLOWABLE LOAD	QUANTITY PER PALLET	PAD WEIGHT
ACP24242	24x24x2	924 LBS	24	8.5 LBS
ACP24362	24x36x2	1188 LBS	24	16 LBS
ACP30302	30x30x2	1188 LBS	24	13 LBS
ACP32322	32x32x2	1276 LBS	24	16 LBS
ACP36362	36x36x2	1452 LBS	24	19 LBS
ACP38422	38x42x2	1628 LBS	24	22 LBS

3" THICK PADS

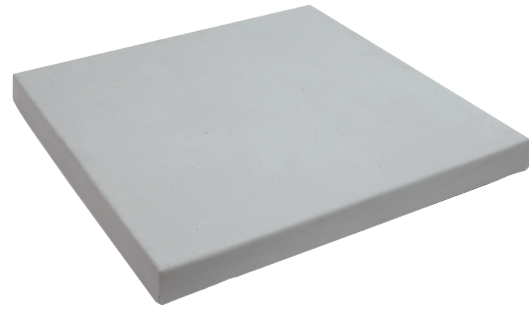
CATALOG NUMBER	SIZE (IN.)	ESTIMATED ALLOWABLE LOAD	QUANTITY PER PALLET	PAD WEIGHT
ACP24243	24x24x3	924 LBS	16	13 LBS
ACP30303	30x30x3	1188 LBS	16	16 LBS
ACP32323	32x32x3	1276 LBS	16	19 LBS
ACP36363	36x36x3	1452 LBS	16	24 LBS
ACP36483	36x48x3	1716 LBS	16	31 LBS

FEATURES

- Extremely durable, yet lightweight
- UV resistant, unaffected by weather
- ASTM D2299, ASTM C67
- Textured surface to prevent slippage
- Drillable for securing equipment
- ICC Certified to Standard Swimming Pool Code section 305.2 Mounting and section 405 Equipment Foundations and Enclosures
- The Black Pad® is 2" thick and the choice for plastic pads, unless a thicker pad (3") is required by the local building code.

CLADLITE®

The strength and look of a perfectly poured concrete pad without the extreme weight!



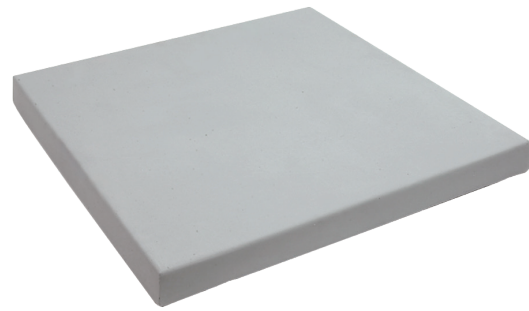
2" THICK PADS

CATALOG NUMBER	SIZE (IN.)	ESTIMATED ALLOWABLE LOAD	QUANTITY PER PALLET	PAD WEIGHT
1636-2	16x36x2	480 LBS	25	39 LBS
2424-2	24x24x2	432 LBS	25	30.2 LBS
2436-2	24x36x2	576 LBS	25	61 LBS
2442-2	24x42x2	648 LBS	25	57 LBS
2454-2	26x54x2	792 LBS	25	84 LBS
26-2	26x2 Round	480 LBS	25	33 LBS
2626-2	26x26x2	480 LBS	25	43 LBS
30-2	30x2 Round	576 LBS	25	95 LBS
3030-2	30x30x2	576 LBS	25	36 LBS
3036-2	30x36x2	648 LBS	25	42.7 LBS
3040-2	30x40x2	696 LBS	25	52.8 LBS
3143-2	31x43x2	744 LBS	25	70 LBS
32-2	32x2 Round	624 LBS	25	71.2 LBS
3232-2	32x32x2	624 LBS	25	44 LBS
3434-2	34x34x2	672 LBS	25	51 LBS
3636-2	36x36x2	720 LBS	25	62.9 LBS
3640-2	36x40x2	768 LBS	25	70.9 LBS
3648-2	36x48x2	864 LBS	25	87.8 LBS
3654-2	36x54x2	936 LBS	25	93 LBS
3842-2	38x42x2	816 LBS	25	87 LBS
4147-2	41x47x2	912 LBS	25	115 LBS

FEATURES

- High PSI strength concrete surrounding a lightweight core
- Up to 80% lighter than solid concrete for ease of installation
- Freeze/thaw, UV, chemical & flame resistant for long-term life outdoors
- ASTM D2299, ASTM C67
- Extensive selection of sizes available including round pads

CLADLITE®



3" THICK PADS

CATALOG NUMBER	SIZE (IN.)	ESTIMATED ALLOWABLE LOAD	QUANTITY PER PALLET	PAD WEIGHT
1636-3	16x36x3	480 LBS	20	48 LBS
2424-3	24x24x3	432 LBS	20	42.6 LBS
2436-3	24x36x3	576 LBS	20	59.5 LBS
2448-3	24x48x3	720 LBS	20	83.5 LBS
2626-3	26x26x3	480 LBS	20	49.5 LBS
3030-3	30x30x3	576 LBS	20	61.5 LBS
3036-3	30x36x3	648 LBS	20	73.1 LBS
3040-3	30x40x3	696 LBS	20	94 LBS
3060-3	30x60x3	936 LBS	15	130 LBS
3143-3	31x43x3	744 LBS	20	74 LBS
32-3	32x3 Round	624 LBS	20	67 LBS
3232-3	32x32x3	624 LBS	20	67.7 LBS
3237-3	32x37x3	684 LBS	20	73 LBS
3345-3	33x45x3	792 LBS	20	99.1 LBS
3636-3	36x36x3	720 LBS	20	80.4 LBS
3640-3	36x40x3	768 LBS	20	97.2 LBS
3648-3	36x48x3	864 LBS	20	109.1 LBS
3650-3	36x50x3	888 LBS	15	148 LBS
3660-3	36x60x3	1008 LBS	15	163 LBS
3842-3	38x42x3	816 LBS	20	119.6 LBS
3870-3	38x70x3	1152 LBS	10	181 LBS
4042-3	40x42x3	840 LBS	10	158 LBS
4054-3	40x54x3	984 LBS	15	167 LBS
4062-3	40x62x3	1080 LBS	10	167 LBS
4147-3	41x47x3	912 LBS	15	155 LBS
4183-3	41x83x3	1344 LBS	10	231 LBS
4550-3	45x50x3	996 LBS	15	184 LBS
4558-3	45x58x3	1092 LBS	15	203 LBS
4766-3	47x66x3	1212 LBS	10	219 LBS
4848-3	48x48x3	1008 LBS	15	184 LBS
5053-3	50x53x3	1092 LBS	15	197 LBS
5056-3	50x56x3	1128 LBS	10	212 LBS
5058-3	50x58x3	1152 LBS	10	212 LBS
5070-3	50x70x3	1296 LBS	10	257 LBS
5252-3	52x52x3	1104 LBS	10	197 LBS
5557-3	55x57x3	1200 LBS	10	237 LBS
6067-3	60x67x3	1380 LBS	10	284 LBS

ECOPAD™

The EcoPad™ is made from injection molded plastic, and the application is mainly as a base pad for ground supported equipment. Where local codes supersede the national code and require a pad thicker than 2", use a 3" thick pad.



2" THICK PADS

CATALOG NUMBER	SIZE (IN.)	EST. ALLOW. LOAD	QTY. PER PAL.	PAD WT.
EP2424-2	24x24x2	840 LBS	44	7 LBS
EP2430-2	24x30x2	960 LBS	22	9 LBS
EP2436-2	24x36x2	1080 LBS	22	11 LBS
EP2626-2	26x26x2	920 LBS	22	8 LBS
EP3030-2	30x30x2	1080 LBS	22	11 LBS
EP3036-2	30x36x2	1200 LBS	22	13 LBS
EP3232-2	32x32x2	1160 LBS	22	13 LBS
EP3244-2	32x44x2	1400 LBS	22	17 LBS
EP3434-2	34x34x2	1240 LBS	22	14 LBS
EP3636-2	36x36x2	1320 LBS	22	16 LBS
EP3640-2	36x40x2	1400 LBS	22	18 LBS
EP3648-2	36x48x2	1560 LBS	22	29 LBS
EP3842-2	38x42x2	1480 LBS	22	19 LBS
EP1838-3	18x38x3	1000 LBS	32	16 LBS
EP2424-3	24x24x3	840 LBS	16	9 LBS
EP2436-3	24x36x3	1080 LBS	16	19 LBS
EP2448-3	24x48x3	1320 LBS	32	14 LBS
EP3030-3	30x30x3	1080 LBS	16	20 LBS
EP3232-3	32x32x3	1160 LBS	16	21 LBS
EP3244-3	32x44x3	1400 LBS	16	30 LBS
EP3434-3	34x34x3	1240 LBS	16	17 LBS

3" THICK PADS

CATALOG NUMBER	SIZE (IN.)	EST. ALLOW. LOAD	QTY. PER PAL.	PAD WT.
EP3636-3	36x36x3	1320 LBS	16	28 LBS
EP3640-3	36x40x3	1400 LBS	16	31 LBS
EP3648-3	36x48x3	1560 LBS	16	36 LBS
EP3842-3	38x42x3	1480 LBS	16	33 LBS
EP3870-3	38x70x3	2040 LBS	16	36 LBS
EP4040-3	40x40x3	1480 LBS	16	34 LBS
EP4558-3	45x58x3	1940 LBS	16	33 LBS
EP4848-3	48x48x3	1800 LBS	16	29 LBS
EP5042-3	50x42x3	1720 LBS	16	28 LBS
EP5060-3	50x60x3	2080 LBS	16	40 LBS
EP5070-3	50x70x3	2280 LBS	16	47 LBS
EP5252-3	52x52x3	1960 LBS	16	48 LBS
EP5658-3	56x58x3	2160 LBS	16	43 LBS

FEATURES

- Durable and lightweight for standard applications.
- Made in the USA
- Unaffected by UV or weather.
- ASTM D2299, ASTM C67
- Individually engineered ribbing for cost-effective self-leveling ground support.

E LITE® PAD

The most popular plastic DiversiTech pad due to their outstanding durability, uniform strength, and low weight.



2" THICK PADS

CATALOG NUMBER	SIZE (IN.)	EST. ALLOW. LOAD	QTY. PER PAL.	PAD WT.
EL2424-2	24x24x2	840 LBS	44	7 LBS
EL2430-2	24x30x2	960 LBS	22	9 LBS
EL2436-2	24x36x2	1080 LBS	22	11 LBS
EL2626-2	26x26x2	920 LBS	22	8 LBS
EL3030-2	30x30x2	1080 LBS	22	11 LBS
EL3036-2	30x36x2	1200 LBS	22	13 LBS
EL3232-2	32x32x2	1160 LBS	22	13 LBS
EL3244-2	32x44x2	1400 LBS	22	17 LBS
EL3434-2	34x34x2	1240 LBS	22	14 LBS
EL3636-2	36x36x2	1320 LBS	22	16 LBS
EL3640-2	36x40x2	1400 LBS	22	18 LBS
EL3648-2	36x48x2	1560 LBS	22	29 LBS
EL3842-2	38x42x2	1480 LBS	22	19 LBS

3" THICK PADS

CATALOG NUMBER	SIZE (IN.)	EST. ALLOW. LOAD	QTY. PER PAL.	PAD WT.
EL1838-3	18x38x3	1000 LBS	32	16 LBS
EL2436-3	24x36x3	840 LBS	16	19 LBS
EL2448-3	24x48x3	1320 LBS	32	14 LBS
EL3030-3	30x30x3	1080 LBS	16	20 LBS
EL3232-3	32x32x3	1160 LBS	16	21 LBS
EL3244-3	32x44x3	1400 LBS	16	30 LBS
EL3636-3	36x36x3	1320 LBS	16	28 LBS
EL3640-3	36x40x3	1400 LBS	16	31 LBS
EL3648-3	36x48x3	1560 LBS	16	36 LBS
EL3842-3	38x42x3	1480 LBS	16	33 LBS
EL3870-3	38x70x3	2040 LBS	16	36 LBS
EL4040-3	40x40x3	1480 LBS	16	34 LBS
EL4558-3	45x58x3	1940 LBS	16	33 LBS
EL4848-3	48x48x3	1800 LBS	16	29 LBS
EL5042-3	50x42x3	1720 LBS	16	28 LBS
EL5060-3	50x60x3	2080 LBS	16	40 LBS
EL5070-3	50x70x3	2280 LBS	16	47 LBS
EL5252-3	52x52x3	1960 LBS	16	48 LBS
EL5658-3	56x58x3	2160 LBS	16	43 LBS

FEATURES

- Made in the USA
- Unaffected by UV or weather.
- Uniform and generous ribbing provide self-leveling ground support without inserts.
- ASTM D2299, ASTM C67

HUNKLITE™

Solid concrete pad designed for use as external/internal ground support for HVAC equipment. Where local codes supersede the national code and require a pad thicker than 2", use a 3" thick pad.



2" THICK PADS

CATALOG NUMBER	SIZE (IN.)	EST. ALLOW. LOAD	QTY. PER PAL.	PAD WT.
L2424-2	24x24x2	1440 LBS	20	46 LBS
L2430-2	24x30x2	1680 LBS	20	53 LBS
L2432-2	24x32x2	1760 LBS	15	46 LBS
L2436-2	24x36x2	1920 LBS	20	55 LBS
L2626-2	26x26x2	1600 LBS	20	35 LBS
L2838-2	28x38x2	2160 LBS	20	82 LBS
L3036-2	30x36x2	2160 LBS	20	89 LBS
L3042-2	30x42x2	2400 LBS	20	102 LBS
L3143-2	31x43x2	2480 LBS	20	98 LBS
L3232-2	32x32x2	2080 LBS	20	81 LBS
L3237-2	32x37x2	2280 LBS	20	97 LBS
L3244-2	32x44x2	2560 LBS	15	113 LBS
L3636-2	36x36x2	2400 LBS	15	120 LBS
L3648-2	36x48x2	2880 LBS	15	145 LBS

3" THICK PADS

CATALOG NUMBER	SIZE (IN.)	EST. ALLOW. LOAD	QTY. PER PAL.	PAD WT.
L2424-3	24x24x3	1440 LBS	15	52 LBS
L2430-3	24x30x3	1680 LBS	20	70 LBS
L2436-3	24x36x3	1920 LBS	15	106 LBS
L3030-3	30x30x3	1920 LBS	15	69 LBS
L3036-3	30x36x3	2160 LBS	15	94 LBS
L3042-3	30x42x3	2400 LBS	15	131 LBS
L3048-3	30x48x3	2640 LBS	15	120 LBS
L3232-3	32x32x3	2080 LBS	15	87 LBS
L3244-3	32x44x3	2560 LBS	10	149 LBS
L3636-3	36x36x3	2400 LBS	10	105 LBS
L3642-3	36x42x3	2640 LBS	10	120 LBS
L3648-3	36x48x3	2880 LBS	10	135 LBS
L3842-3	38x42x3	2720 LBS	10	215 LBS

FEATURES

- No buoyancy - ideal for coastal regions
- Made in the USA
- Lightweight concrete and hollow bottom with rib support to add strength and remove weight to make easier to handle
- Will support concrete anchors
- ASTM D2299, ASTM C67

THE HURRICANE PAD™ H-CLASS

Simplify meeting building and hurricane codes including Miami-Dade County regulations



150 MPH RATING

CATALOG NUMBER	SIZE (IN.)	QUANTITY PER PALLET	ESTIMATED ALLOWABLE LOAD
H1840-4	18x40	16	552
H2424-4	24x24	16	432
H2436-4	24x36	8	576
H3030-4	30x30	8	576
H3232-4	32x32	8	624
H3636-4	36x36	8	720
H3642-4	36x42	8	792
H3648-4	36x48	8	864
H3652-4	36x52	8	912
H3654-4	36x54	8	936
H3656-4	36x56	8	960
H3672-4	36x72	8	1152
H3852-4	38x52	8	936
H3865-4	38x65	8	1092
H3872-4	38x72	8	1176
H4040-4	40x40	8	816
H4242-4	42x42	8	864
H4558-4	45x58	8	1092
H5557-4	55x57	8	1200

Potential Hurricane Winds Map

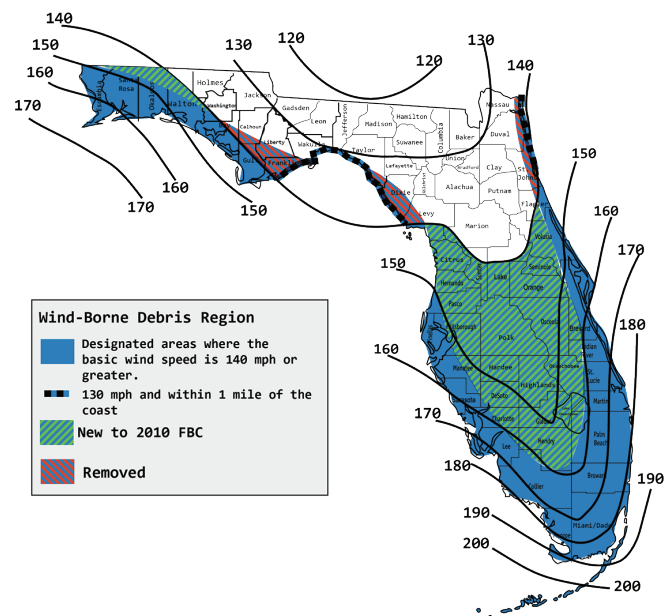


Figure 1609B Risk Category IV Buildings and Structures and Category III healthcare facilities

Wind Tables: Visit diversitech.com.

FEATURES

- 3 different levels of pads for different wind zones: up to 150 MPH, up to 175 MPH, and 175 MPH Miami-Dade
- 175 MPH Miami-Dade units are solid concrete pads with internal steel (larger units) and fibers reinforcement
- Superior screw pull out strength
- ASTM D2299, ASTM C67

THE HURRICANE PAD™ T-CLASS



175 MPH RATING

CATALOG NUMBER	SIZE (IN.)	QUANTITY PER PALLET	ESTIMATED ALLOWABLE LOAD
HT1840-4	18x24	10	1104
HT2436-4	24x36	5	1152
HT3030-4	30x30	5	1152
HT3232-4	32x32	5	1248
HT3636-4	36x36	5	1440
HT3648-4	36x48	5	1728
HT3842-4	38x42	5	1632
HT4040-4	40x40	5	1632
HT4242-4	42x42	5	1728
HT4558-4	45x58	5	2184

THE HURRICANE PAD™ MD



175 MPH RATING - MIAMI-DADE

CATALOG NUMBER	SIZE (IN.)	QUANTITY PER PALLET	ESTIMATED ALLOWABLE LOAD
HMD1840-4	18x40x4	5	1840
HMD3030-4	30x30x4	5	1920
HMD3636-4	36x36x4	5	2400
HMD3648-4	36x48x4	5	2880
HMD4040-4	40x40x4	5	2720

Wind Tables: Visit quicksling.diversitech.com.

ULTRALITE®

The lightest weight cement-based pad for ease of handling and proven durability.



3" THICK PADS

CATALOG NUMBER	SIZE (IN.)	ESTIMATED ALLOWABLE LOAD	QUANTITY PER PALLET	PAD WEIGHT
UC1636-3	16x36x3	368 LBS	15	18 LBS
UC1838-3	18x38x3	400 LBS	30	20.2 LBS
UC2424-3	24x24x3	336 LBS	15	18 LBS
UC2436-3	24x36x3	432 LBS	15	26 LBS
UC2442-3	24x42x3	480 LBS	15	28 LBS
UC2448-3	24x48x3	528 LBS	15	28 LBS
UC2626-3	26x26x3	368 LBS	15	17 LBS
UC3030-3	30x30x3	432 LBS	15	23 LBS
UC3040-3	30x40x3	512 LBS	15	33 LBS
UC3232-3	32x32x3	464 LBS	15	26 LBS
UC3237-3	32x37x3	504 LBS	15	27 LBS
U3353-3	33x53x3	595 LBS	15	68 LBS
UC3434-3	34x34x3	496 LBS	15	27 LBS
UC3445-3	34x45x3	584 LBS	15	39 LBS
UC3636-3	36x36x3	528 LBS	15	34 LBS
UC3642-3	36x42x3	576 LBS	15	32 LBS
UC3648-3	36x48x3	624 LBS	15	37 LBS
U3650-3	36x50x3	659 LBS	15	38 LBS
U3654-3	36x54x3	715 LBS	15	71 LBS
U3660-3	36x60x3	723 LBS	15	49 LBS
UC3842-3	38x42x3	592 LBS	15	35 LBS
U3865-3	38x65x3	701 LBS	15	85 LBS
U3870-3	38x70x3	709 LBS	15	113 LBS
UC4040-3	40x40x3	592 LBS	15	34 LBS
UC4042-3	40x42x3	608 LBS	15	36 LBS
U4054-3	40x54x3	719 LBS	15	81 LBS
U4550-3	45x50x3	712 LBS	15	81 LBS
U4558-3	45x58x3	776 LBS	15	93 LBS
U4848-3	48x48x3	720 LBS	15	85 LBS
U4854-3	48x54x3	768 LBS	15	91 LBS
U4866-3	48x66x3	864 LBS	15	108 LBS
U5053-3	50x53x3	776 LBS	15	92 LBS
U5056-3	50x56x3	800 LBS	15	97 LBS
U5252-3	52x52x3	784 LBS	15	94 LBS
U5557-3	55x57x3	848 LBS	15	109 LBS

FEATURES

- Heavy-duty yet ultra-lightweight
- Freeze/thaw, UV, chemical & flame-resistant for long-term life outdoors
- Earthquake Code compliant pads available for use in the relevant West Coast locations
- ASTM D2299, ASTM C67
- Extensive selection of sizes available including wedge-shaped pad

HEAT PUMP PAD

Ideal for snowy climates, the Heat Pump Pad protects the unit with a full 8" clearance above ground. Standard with each unit are 8 anti-vibration pads specifically designed to fit into molded slots at tops of the Heat Pump Pad. These are designed to provide a more quiet operation of the heat pump.



CATALOG NUMBER	SIZE (IN.)	ESTIMATED ALLOWABLE LOAD	QUANTITY PER PALLET	PAD WEIGHT
HP3232-8	32x32x8	307 LBS	16	18 LBS
HP3636-8	36x36x8	389 LBS	16	18 LBS

FEATURES

- Pad base is angled outward to direct melting snow and condensate away from the unit
- Built tough for many years of surface
- Pads are nestable and stackable for using minimum space for storage

NOTES

DiversiTech Corporation is North America's largest manufacturer of equipment pads and a leading manufacturer and supplier of components and related products for the heating, ventilating, air conditioning, and refrigeration (HVACR) industry.

Download an electronic version of this brochure at:
<http://media.diversitech.com/doc/doc151693.pdf>

DiversiTech Corporation
3039 Premiere Parkway, Suite 600
Duluth, GA 30097
P 800.995.2222
F 678.542.3700

DOC151693
LIT-CAT-EM
03/20
©2020 DiversiTech Corp.
www.diversitech.com