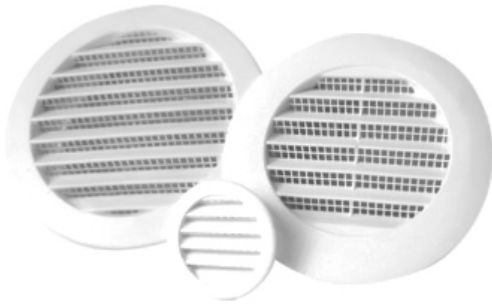




Builder's Best, Inc.
 201 Broiles Drive
 Jacksonville, TX 75766
 903-586-8283
 sales@venting.biz
 BuildersBest.com

PRIMEX RDV SERIES ROUND EAVE (SOFFIT) VENT



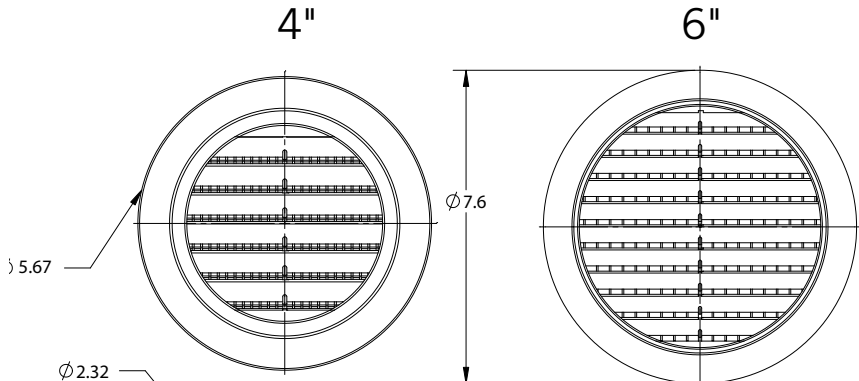
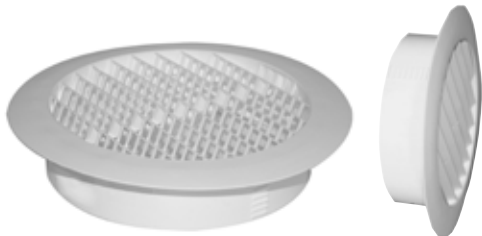
PRODUCT SPECIFICATIONS
 PLEASE SEE REVERSE
 FOR CURRENT PRIMEX TECH SPECS

- Extra long collar for better duct connection
- Molded in mesh screen
- UV Stabilized Polymer resin
- Secure friction fit

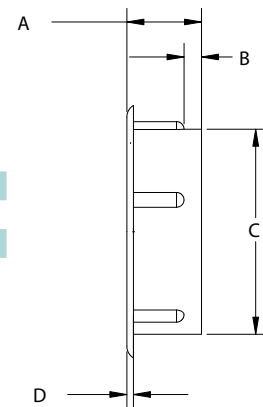
PART NUMBERS

Part numbers shown are stocked.
 Other Primex items are special orders.

Description	Old case #	New case #	Qty	Pkg
4" White	111869	RDV4S01	70	Bulk
6" White	111871	RDV6S01	30	Bulk



Diameter	A	B	C	D
4"	1.71		3.91	
6"	1.49		5.96	.13



LABELS

Builder's Best is an
 Authorized Primex Distribution Partner
 Primex is Made in Canada



WARRANTY

Please contact Primex info@primexvents.com for warranty information.

RDV Series Round Soffit Vent

Technical Data Sheet

FEATURES & BENEFITS

- Helps prevent peeling paint by removing moisture from wall cavities.
- Extra long collar for better hose or duct connection.
- Molded-in mesh bug screen.
- Secure friction fit.
- Made from durable, one-piece molded plastic.
- Quick and easy installation.
- Pair with optional Primex 4-inch Squeeze Elbow (EB4x90) for 2x4 stud installation.

COLOURS

- Snow White (01)

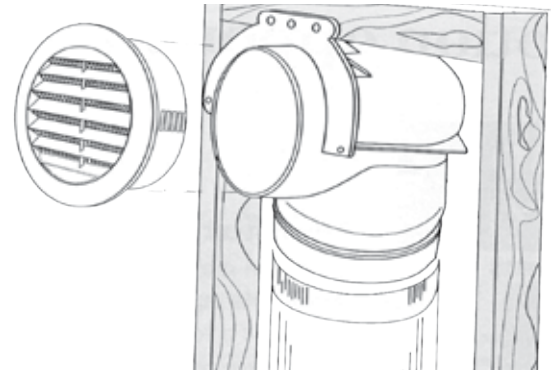
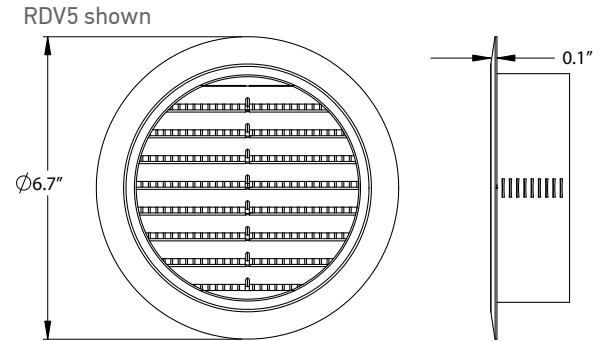
APPLICATIONS

- Heat Recovery Venting (HRV)
- Bathroom Venting
- Intake
- Range Venting

PART NUMBER/SIZING

Part #	Size	Free Area	Description	Pkg
RDV2S	2" Dia.	1.1 sq. in	Fits 2" diameter duct	50/bag
RDV4S	4" Dia.	4.0 sq. in	Fits 4" diameter duct	70/box
RDV5S	5" Dia.	6.4 sq. in	Fits 5" diameter duct	50/box
RDV6S	6" Dia.	10.3 sq. in	Fits 6" diameter duct	30/box

TECHNICAL DRAWING



4" Round Vent installed with Primex's
'Squeeze Elbow' EB4x90