



Builder's Best, Inc.
 201 Broiles Drive
 Jacksonville, TX 75766
 888-368-7233
 fax: 800-259-8368
 www.BuildersBest.com

HEAVY DUTY PLASTIC WALL CAPS

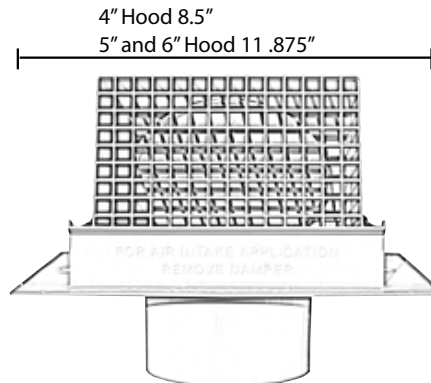


PRODUCT SPECIFICATIONS

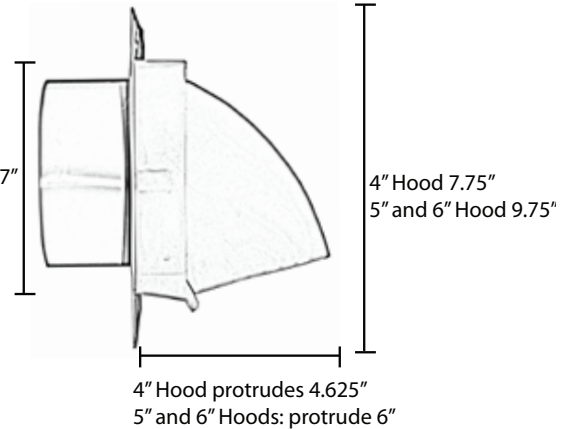
- UV stabilized polymer resin
- Drip edge on flanged base to help drain away water
- Removable damper
- ½" x ½" molded grid
- Intake or Exhaust
- 4" Hood
 Flange 8.5" x 7.75"
- 5" and 6" Hood
 Flange 11.875" x 9.75"

PART NUMBERS

Color	Diameter	Part #	Qty
White	4"	111775	4
	5"	111776	4
	6"	111777	4
Gray	4"	111781	4
	5"	111782	4
	6"	111783	4



4" Hood 5.5"
 5" and 6" Hood 8.875"



LABELS



Made in the U.S.A.

WARRANTY

Manufacturer assumes no responsibility for failure due to improper installation. All specifications and designs are subject to change without notice and without incurring liability.

WARRANTY EXCLUSION AND DISCLAIMER Seller specifically excludes, and hereby disclaims any express representation or express warranty of any kind with respect to the goods ordered hereunder. All implied warranties, including without limitation merchantability or fitness for a particular purpose or arising from a course of dealing or usage or trade shall expire and cease 45 days after date of delivery. Seller shall not be liable to buyer or any third party for any special, secondary, incidental, or consequential damages however arising. Nothing in this provision shall invalidate or restrict any right or remedy otherwise available under state or federal law. Materials and specifications subject to change without notice.