

### Specification Submittal Data / Panasonic Ventilation Fan

#### Description

Customizable ceiling mount ventilating fan, low sone and rated for continuous operation. ENERGY STAR® rated and certified by the Home Ventilating Institute (HVI). Evaluated by the Underwriters Laboratories and conforms to both UL and cUL standards.

#### Motor/Blower:

- Enclosed brushless ECM smart motor technology rated for continuous operation
- Adjustable ventilation rates at 110 – 130 – 150 CFM
- Power rating of 120 volts and 60 Hz
- UL and cUL listed for tub/shower enclosure when GFCI protected
- Motor equipped with thermal cutoff fuse
- Removable permanently lubricated plug-in motor

#### Housing:

- Environmentally friendly 26 gauge Zinc-Aluminum-Magnesium (ZAM) housing
- Integrated dual 4" or 6" diameter duct adapter
- Built-in damper reduces back draft and helps with blower door testing
- Built-in metal flange provides blocking for penetrations through drywall as an Air Barrier, and assists with the decrease in leakage in the Building Envelope during blower door testing
- Suitable for installation in ceilings insulated up to R60
- Articulating and expandable installation bracket up to 24"

#### Grille:

- Attractive design using Poly Pro material
- Attaches directly to housing with torsion springs
- Includes a motion sensor cap for use as a cover when the motion sensor Plug 'n Play™ module has not been selected

#### Warranty:

- ECM Motor: 6 Years from original purchase date
- ALL Parts: 3 Years from original purchase date

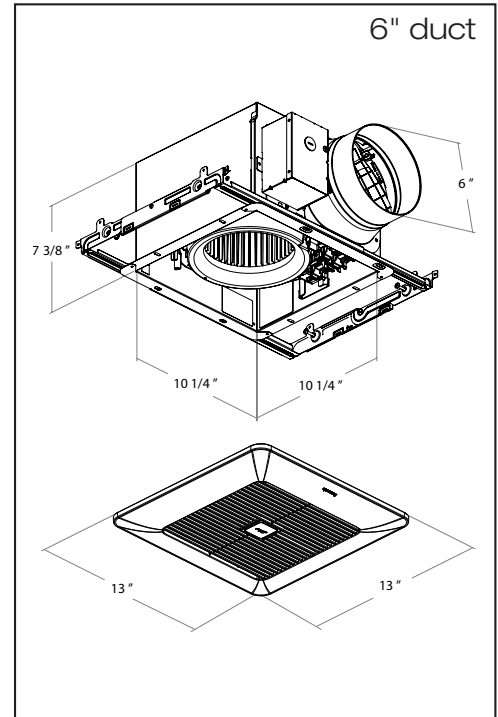
#### Architectural Specifications:

Customizable ceiling mount ventilation fan, ENERGY STAR® rated with built-in speed selector. Select from 110/130/150 CFM with <0.3 sone as certified by the Home Ventilating Institute (HVI) at 0.1 w.g. with 112/130/151 CFM and no more than 0.3/0.4/0.7 sones at 0.25 w.g. and 105/124/132 CFM at 0.375 w.g. Power Consumption shall be no greater than 6.9/9.2/12.9 watts at 0.1 w.g. and 12.8/16.5/22.0 watts at 0.25 w.g. and 17.9/22.1/24.4 watts at 0.375 w.g. ENERGY STAR® rated with efficiency of no less than 16.0/14.2/11.7 CFM/watt at 0.1 w.g. and 8.7/7.9/6.8 CFM/watt at 0.25 w.g. and 5.8/5.6/5.4 CFM/watt at 0.375 w.g. The motor shall be enclosed with brushless ECM motor engineered to run continuously. ECM motor speed shall automatically increase when the fan senses static pressure to maintain selected CFM. Power rating shall be 120v/60Hz. Duct diameter shall be no less than 6". **Plug 'N Play™** modules provide up to three additional features. Select from Multi-Speed with Time Delay, Condensation Sensor, and SmartAction Motion Sensor. Fan shall be RoHS Compliant and UL and cUL listed for tub/shower enclosure when GFCI protected. Also suitable for installation in ceilings insulated up to R60.. Fan can be used to comply with ASHRAE 62.2, LEED, ENERGY STAR® IAP, EarthCraft, California Title-24 and WA Ventilation Code.

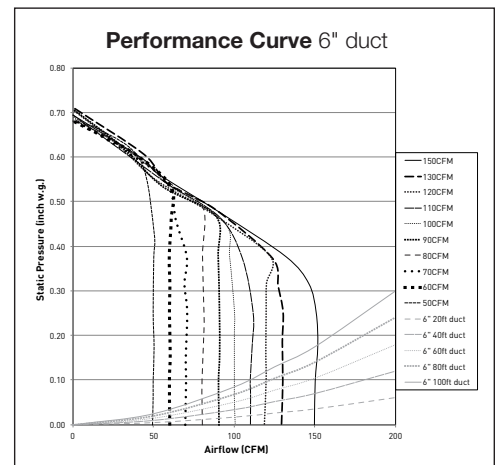


#### ECM Motor Technology:

When fan senses static pressure, its speed is automatically increased to ensure that the desired CFM is not compromised, which allows the fan to perform as rated.



FV-1115VK2



Model	Quantity	Comments	Project:
			Location:
			Architect:
			Engineer:
			Contractor:
			Submitted by:
			Date:

For complete Installation Instructions visit [us.panasonic.com/ventfans](http://us.panasonic.com/ventfans)

## Plug 'N Play™ Modules

Plug 'N Play™ modules provide up to three additional features. Select from Multi-Speed with Time Delay, Motion Sensor, and Condensation Sensor.



### FV-VS15VK1: Multi-Speed with Time Delay

Allows you to select the proper CFM settings to satisfy ASHRAE 62.2 continuous ventilation requirements. The fan runs continuously at a pre-set lower level (0, 50-120 CFM, in 10 CFM increments), then elevates to a maximum level of operation (110-130-150 CFM) when the wall switch is turned on, or when the motion sensor or Condensation Sensor module is activated. A High/Low delay timer returns the fan to the pre-set CFM level after a period of time set by the user.



### FV-MSVK1: Motion Sensor

Automatically activates when someone enters the room. Once the settings have been applied, the fan becomes truly automatic. This module also activates a 20 minute delay off timer for the fan.



### FV-CSVK1: Condensation Sensor

Helps control bathroom condensation to prevent mold and mildew. Sensor technology detects relative humidity and temperature to anticipate dew point, automatically turning the fan on to control humidity. Built-in Relative Humidity (RH) sensitivity adjustment enables fine tuning for moist conditions and for satisfying CalGreen requirements. When the condensation sensor is used in conjunction with multi-speed functionality, the fan will kick up to high speed when the condensation sensor detects moisture in the room. This module also activates a 20 minute delay off timer for the fan.

Fan Specifications	WhisperGreen Select™: FV-1115VK2								
	0.1	0.25	0.375	0.1	0.25	0.375	0.1	0.25	0.375
Static Pressure in inches w.g.	0.1	0.25	0.375	0.1	0.25	0.375	0.1	0.25	0.375
Air Volume (CFM)	150	151	132	130	130	124	110	112	105
Noise (sones)	<0.3	0.7	-	<0.3	0.4	-	<0.3	0.3	-
Power Consumption (watts)	12.9	22.0	24.4	9.2	16.5	22.1	6.9	12.8	17.9
Energy Efficiency (CFM/Watt)	11.7	6.8	5.4	14.2	7.9	5.6	16.0	8.7	5.8
Speed (RPM)	684	916	1084	645	900	1080	625	894	1083
Current (amps)	0.14	0.22	0.24	0.10	0.17	0.22	0.08	0.13	0.18
MAX. Current (amps)	0.24								
Power Rating (V/Hz)	120/60								
ENERGY STAR rated	Yes								

0.375=Installed Performance

Fan Specifications	FV-1115VK2 + FV-VS15VK1 (Multi Speed Plug 'N Play™ module)																								
	0.1	0.25	0.375	0.1	0.25	0.375	0.1	0.25	0.375	0.1	0.25	0.375	0.1	0.25	0.375	0.1	0.25	0.375	0.1	0.25	0.375	0.1	0.25	0.375	
Static Pressure in inches w.g.	0.1	0.25	0.375	0.1	0.25	0.375	0.1	0.25	0.375	0.1	0.25	0.375	0.1	0.25	0.375	0.1	0.25	0.375	0.1	0.25	0.375	0.1	0.25	0.375	
Air Volume (CFM)	150	151	132	130	130	124	120	120	122	110	112	105	100	100	97	90	91	90	80	81	80	70	71	70	60
Noise (sones)	<0.3	0.7	-	<0.3	0.4	-	<0.3	0.3	-	<0.3	0.3	-	<0.3	0.2	-	<0.3	0.3	-	<0.3	0.3	-	<0.3	0.4	-	<0.3
Power Consumption (watts)	12.9	22.0	24.4	9.2	16.5	22.1	7.7	14.0	20.5	6.9	12.8	17.9	5.5	11.0	16.0	4.7	9.7	15.0	4.2	9.0	13.9	3.7	8.1	12.2	3.3
Energy Efficiency (CFM/Watt)	11.7	6.8	5.4	14.2	7.9	5.6	15.7	8.6	6.0	16.0	8.7	5.8	18.2	9.1	6.0	19.1	9.3	6.0	19.0	9.0	5.7	19.2	8.8	5.8	18.2
Speed (RPM)	684	916	1084	645	900	1080	633	895	1086	625	894	1083	615	898	1093	602	900	1099	608	912	1104	591	914	1109	608
Current (amps)	0.14	0.22	0.24	0.10	0.17	0.22	0.09	0.15	0.21	0.08	0.13	0.18	0.07	0.12	0.16	0.06	0.10	0.15	0.05	0.10	0.14	0.05	0.09	0.13	0.04
MAX. Current (amps)	0.33																								
Power Rating (V/Hz)	120/60																								
ENERGY STAR rated	Yes																								

0.375=Installed Performance

Panasonic Eco Solutions Company of North America  
Eco Products Division  
Two Riverfront Plaza  
Newark, NJ 07102

us.panasonic.com/ventfans

