

NEW 2.5 Ton  
11.0 EER!!



## SPXC / SPXC-HP Series Single Package Vertical Unit Straight Cool and Heat Pump 3/4 through 2.5 tons, up to 10 kW Electric Heat



The SPXC Series "Suite 20" is a compact, through-the-wall single package vertical HVAC unit that delivers conditioned air from a single unit to multiple rooms. The SPXC series is available in straight cool (SPXC) or heat pump (SPXC-HP) models. Having a small footprint allows the SPXC to use a minimal amount of floor space. The SPXC installs easily into a closet having an exterior wall. Like your home, a standard wall mounted thermostat controls the SPXC unit. Applications for the SPXC include:

- Hotels / Motels
- High rise apartments / Condominiums
- Assisted Living / Independent care facilities
- Student housing
- Manufactured / Modular buildings

### Standard Features: (see pages 5 and 6 for further information)

- Completely pre-charged with environmentally friendly R-410A refrigerant
- Easy access for in-place service of most components
- Multi-function micro-processor board that includes the following functions:
  - Evaporator coil low temperature protection
  - Low ambient lockout
  - ECM motor utilized on all models
  - Random restart
  - Compressor restart delay
  - Fan-off delay in the cooling mode
  - Low voltage fuse protection
- Service disconnect
- Completely insulated cabinet for sound attenuation and weather infiltration
- Adjustable fresh air damper
- No tool needed to replace the filter
- Weight-supporting, single piece wall sleeves (except side access sleeves) for various wall thicknesses from 5" to 20"
- Sleeves have primary condensate drain connection with secondary overflow to building exterior
- All sleeves are shipped with a weather guard
- Flush type exterior architectural grilles

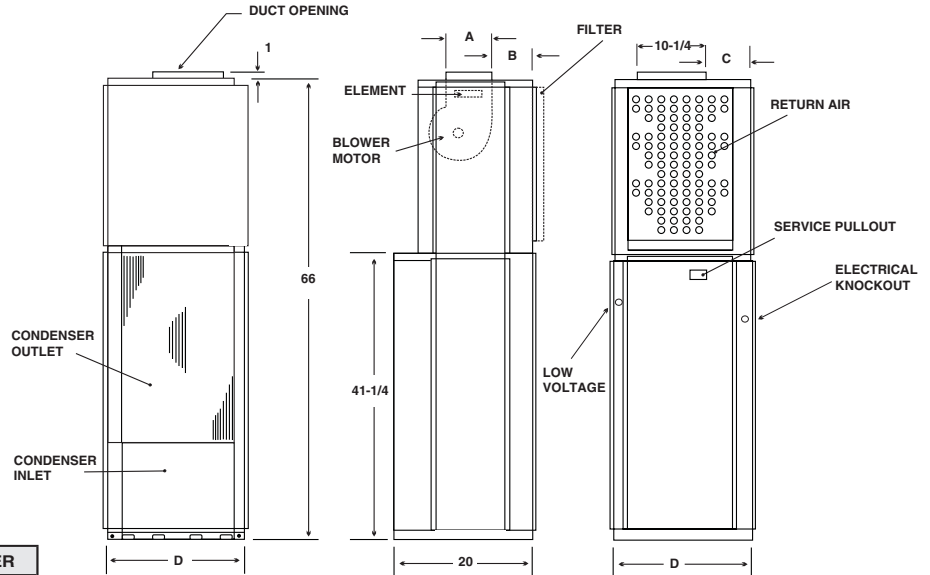
### Optional Features: (see page 10-11)

- Side access wall sleeves (rear access is standard)
- Custom painted exterior architectural grilles
- Hurricane grille / sleeve combinations
- Various louvered and non-louvered interior access panels
- Digital wall mount thermostats with high and low temperature limits
- (NEW!) Insulation Kit - Adds additional 5/8" insulation to three sides of the SPXC units. (see pages 6 & 11)

# SPXC Series

## Cooling Only

In keeping with its policy of continuous progress and product improvement, First Co. reserves the right to make changes without notice. Maintenance for all First Co. products is available under "Product Maintenance" at [www.firstco.com](http://www.firstco.com).



|             | A     | B     | C     | D  | FILTER      |
|-------------|-------|-------|-------|----|-------------|
| 9,12,18SPXC | 6-1/2 | 6-1/8 | 6-5/8 | 20 | 18 x 24 x 1 |
| 24,30SPXC   | 10    | 2-1/2 | 8     | 26 | 24 x 24 x 1 |

| ELECTRICAL DATA (208/230V-1PH-60Hz) |                    |      |       |       |                    |      |                  |     |                |      |                 |     |                          |      |                            |      |          |
|-------------------------------------|--------------------|------|-------|-------|--------------------|------|------------------|-----|----------------|------|-----------------|-----|--------------------------|------|----------------------------|------|----------|
| UNIT MODEL                          | ELECTRIC HEAT DATA |      |       |       |                    |      | BLOWER DATA      |     | CONDENSER DATA |      |                 |     | MINIMUM CIRCUIT AMPACITY |      | MAXIMUM CIRCUIT PROTECTION |      | SHIP WT. |
|                                     | kW                 |      | BTUH  |       | TOTAL HEATING AMPS |      | EVAPORATOR MOTOR |     | COMPRESSOR     |      | CONDENSER MOTOR |     | 208V                     | 240V | 208V                       | 240V |          |
|                                     | 240V               | 208V | 240V  | 208V  | 240V               | 208V | AMPS             | HP  | RLA            | LRA  | FLA             | HP  |                          |      |                            |      |          |
| 9SPXC                               | -0                 | 0    | 0     | 0     | 0.0                | 0.0  | 2.3              | 1/4 | 4.4            | 25   | 2.3             | 1/4 | 10                       | 10   | 15                         | 15   |          |
|                                     | -2                 | 2    | 1.5   | 6800  | 5100               | 10.6 |                  |     |                |      |                 |     | 9.5                      | 12   | 13                         | 15   | 15       |
|                                     | -3                 | 3    | 2.25  | 10200 | 7700               | 14.8 |                  |     |                |      |                 |     | 13.1                     | 16   | 18                         | 20   | 20       |
|                                     | -4                 | 4    | 3     | 13600 | 10200              | 19.0 |                  |     |                |      |                 |     | 16.7                     | 21   | 23                         | 20   | 25       |
| 12SPXC                              | -0                 | 0    | 0     | 0     | 0.0                | 0.0  | 2.3              | 1/4 | 4.7            | 25   | 2.3             | 1/4 | 10                       | 10   | 15                         | 15   |          |
|                                     | -2                 | 2    | 1.5   | 6800  | 5100               | 10.6 |                  |     |                |      |                 |     | 9.5                      | 12   | 13                         | 15   | 15       |
|                                     | -3                 | 3    | 2.25  | 10200 | 7700               | 14.8 |                  |     |                |      |                 |     | 13.1                     | 16   | 18                         | 20   | 20       |
|                                     | -4                 | 4    | 3     | 13600 | 10200              | 19.0 |                  |     |                |      |                 |     | 16.7                     | 21   | 23                         | 25   | 25       |
|                                     | -5                 | 4.5  | 3.38  | 15400 | 11500              | 21.1 |                  |     |                |      |                 |     | 18.6                     | 23   | 26                         | 25   | 30       |
| 18SPXC                              | -0                 | 0    | 0     | 0     | 0.0                | 0.0  | 2.8              | 1/3 | 9.0            | 56.3 | 2.3             | 1/4 | 16                       | 16   | 25                         | 25   |          |
|                                     | -2                 | 2    | 1.5   | 6800  | 5100               | 11.1 |                  |     |                |      |                 |     | 10.0                     | 16   | 16                         | 25   | 25       |
|                                     | -3                 | 3    | 2.25  | 10200 | 7700               | 15.3 |                  |     |                |      |                 |     | 13.6                     | 17   | 18                         | 25   | 25       |
|                                     | -4                 | 4    | 3     | 13600 | 10200              | 19.5 |                  |     |                |      |                 |     | 17.2                     | 22   | 24                         | 25   | 25       |
|                                     | -5                 | 4.5  | 3.38  | 15400 | 11500              | 21.6 |                  |     |                |      |                 |     | 19.1                     | 24   | 26                         | 25   | 30       |
|                                     | -6                 | 6    | 4.5   | 20500 | 15400              | 27.8 |                  |     |                |      |                 |     | 24.4                     | 31   | 34                         | 35   | 35       |
|                                     | -8                 | 8    | 6.0   | 27300 | 20500              | 36.1 |                  |     |                |      |                 |     | 31.6                     | 40   | 44                         | 40   | 45       |
| -10                                 | 9                  | 6.75 | 30700 | 23000 | 40.3               | 35.3 | 44               | 50  | 45             | 50   |                 |     |                          |      |                            |      |          |
| 24SPXC                              | -0                 | 0    | 0     | 0     | 0.0                | 0.0  | 2.8              | 1/3 | 10.9           | 62.9 | 2.3             | 1/4 | 19                       | 19   | 25                         | 25   |          |
|                                     | -3                 | 3    | 2.25  | 10200 | 7700               | 15.3 |                  |     |                |      |                 |     | 13.6                     | 19   | 19                         | 25   | 25       |
|                                     | -4                 | 4    | 3     | 13600 | 10200              | 19.5 |                  |     |                |      |                 |     | 17.2                     | 22   | 24                         | 25   | 25       |
|                                     | -5                 | 4.5  | 3.38  | 15400 | 11500              | 21.6 |                  |     |                |      |                 |     | 19.1                     | 24   | 26                         | 25   | 30       |
|                                     | -6                 | 6    | 4.5   | 20500 | 15400              | 27.8 |                  |     |                |      |                 |     | 24.4                     | 31   | 34                         | 35   | 35       |
|                                     | -8                 | 8    | 6.0   | 27300 | 20500              | 36.1 |                  |     |                |      |                 |     | 31.6                     | 40   | 44                         | 40   | 45       |
| -10                                 | 9                  | 6.75 | 30700 | 23000 | 40.3               | 35.3 | 44               | 50  | 45             | 50   |                 |     |                          |      |                            |      |          |
| 30SPXC                              | -0                 | 0    | 0     | 0     | 0                  | 0    | 4.1              | 1/2 | 12.8           | 67.8 | 1.9             | 1/3 | 22                       | 22   | 30                         | 30   |          |
|                                     | -3                 | 3    | 2.25  | 10200 | 7700               | 16.6 |                  |     |                |      |                 |     | 14.9                     | 22   | 22                         | 30   | 30       |
|                                     | -4                 | 4    | 3     | 13600 | 10200              | 20.8 |                  |     |                |      |                 |     | 18.5                     | 23   | 25                         | 30   | 30       |
|                                     | -5                 | 4.5  | 3.38  | 15400 | 11500              | 22.9 |                  |     |                |      |                 |     | 20.4                     | 26   | 28                         | 30   | 30       |
|                                     | -6                 | 6    | 4.5   | 20500 | 15400              | 29.1 |                  |     |                |      |                 |     | 25.7                     | 32   | 35                         | 35   | 35       |
|                                     | -8                 | 8    | 6.0   | 27300 | 20500              | 37.4 |                  |     |                |      |                 |     | 32.9                     | 41   | 46                         | 45   | 50       |
|                                     | -10                | 9    | 6.75  | 30700 | 23000              | 41.6 |                  |     |                |      |                 |     | 36.6                     | 46   | 51                         | 50   | 60       |

| BLOWER DATA |                       |                                 |      |      |      |      |      |      |      |
|-------------|-----------------------|---------------------------------|------|------|------|------|------|------|------|
| UNIT MODEL  | MOTOR SPEED CONN. (1) | CFM vs EXTERNAL STATIC PRESSURE |      |      |      |      |      |      |      |
|             |                       | 0.05                            | 0.10 | 0.15 | 0.20 | 0.25 | 0.30 | 0.35 | 0.40 |
| 9SPXC       | HIGH                  | 490                             | 475  | 465  | 455  | 450  | 440  | 430  | 425  |
|             | MED (H & C)           | 390                             | 380  | 370  | 360  | 350  | 340  | 330  | 320  |
|             | LOW                   | 320                             | 310  | 300  | 290  | 280  | 270  | 260  | 250  |
| 12SPXC      | HIGH                  | 500                             | 485  | 475  | 465  | 460  | 450  | 445  | 440  |
|             | MED (H & C)           | 430                             | 420  | 410  | 400  | 390  | 385  | 375  | 370  |
|             | LOW                   | 350                             | 340  | 330  | 320  | 310  | 305  | 295  | 285  |
| 18SPXC      | TAP 3                 | 705                             | 695  | 685  | 675  | 670  | 660  | 650  | 635  |
|             | TAP 2(C)              | 655                             | 645  | 635  | 620  | 610  | 600  | 590  | 580  |
|             | TAP 1(H)              | 565                             | 550  | 540  | 530  | 515  | 505  | 490  | 480  |
| 24SPXC      | TAP 3                 | 900                             | 890  | 880  | 870  | 860  | 855  | 845  | 835  |
|             | TAP 2(C)              | 820                             | 810  | 800  | 790  | 780  | 770  | 760  | 750  |
|             | TAP 1(H)              | 720                             | 710  | 700  | 690  | 680  | 670  | 660  | 650  |
| 30SPXC      | TAP 3                 | 910                             | 900  | 895  | 890  | 885  | 880  | 875  | 870  |
|             | TAP 2(C)              | 845                             | 840  | 835  | 830  | 825  | 820  | 815  | 810  |
|             | TAP 1(H)              | 740                             | 730  | 720  | 725  | 715  | 710  | 700  | 690  |

| COOLING / PERFORMANCE DATA |                     |      |
|----------------------------|---------------------|------|
| UNIT MODEL                 | STANDARD RATING (1) | EER  |
|                            | BTUH                |      |
| 9SPXC                      | 9200                | 11.0 |
| 12SPXC                     | 11700               | 11.0 |
| 18SPXC                     | 17600               | 11.0 |
| 24SPXC                     | 22400               | 11.0 |
| 30SPXC                     | 27800               | 11.0 |

(1) Tested at 95°F DB/75°F WB outdoors and 80°F DB/67°F WB indoors.

(2) Tested in accordance with AHRI Standard 390.



(1) Factory Settings:  
(H) = Heating, (C) = Cooling

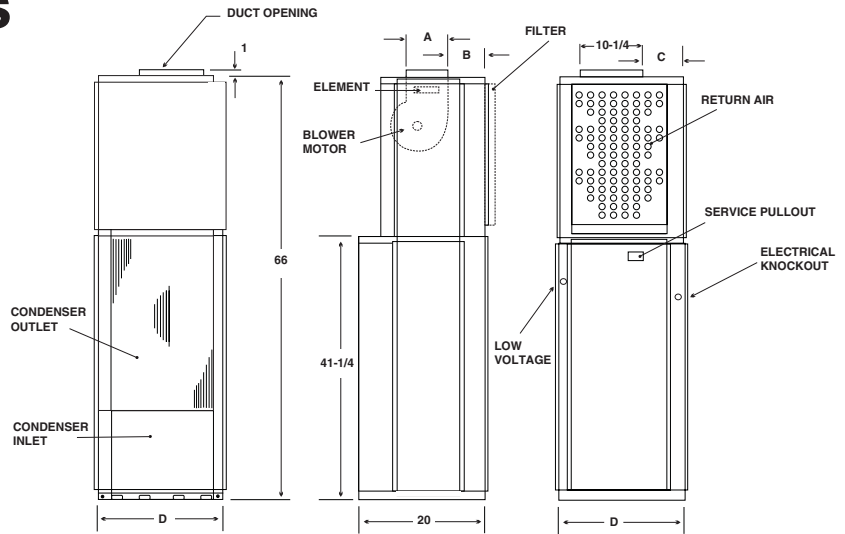
# SPXC-HP Series

## Heat Pump

In keeping with its policy of continuous progress and product improvement, First Co. reserves the right to make changes without notice. Maintenance for all First Co. products is available under "Product Maintenance" at [www.firstco.com](http://www.firstco.com).



|                | A     | B     | C     | D  | FILTER      |
|----------------|-------|-------|-------|----|-------------|
| 9,12,18SPXC-HP | 6-1/2 | 6-1/8 | 6-5/8 | 20 | 18 x 24 x 1 |
| 24,30SPXC-HP   | 10    | 2-1/2 | 8     | 26 | 24 x 24 x 1 |



| ELECTRICAL DATA (208/230V-1PH-60Hz)                |                    |      |       |       |                    |      |                  |     |                |      |                 |     |                          |      |                            |      |          |
|--|--------------------|------|-------|-------|--------------------|------|------------------|-----|----------------|------|-----------------|-----|--------------------------|------|----------------------------|------|----------|
| UNIT MODEL   | ELECTRIC HEAT DATA |      |       |       |                    |      | BLOWER DATA      |     | CONDENSER DATA |      |                 |     | MINIMUM CIRCUIT AMPACITY |      | MAXIMUM CIRCUIT PROTECTION |      | SHIP WT. |
|  | kW                 |      | BTUH  |       | TOTAL HEATING AMPS |      | EVAPORATOR MOTOR |     | COMPRESSOR     |      | CONDENSER MOTOR |     | 208V                     | 240V | 208V                       | 240V |          |
|  | 240V               | 208V | 240V  | 208V  | 240V               | 208V | AMPS             | HP  | RLA            | LRA  | FLA             | HP  |                          |      |                            |      |          |
| 9SPXC -2<br>-3 -HP<br>-4                           | 2                  | 1.5  | 6800  | 5100  | 10.6               | 9.5  | 2.3              | 1/4 | 4.4            | 25   | 2.3             | 1/4 | 12                       | 13   | 15                         | 15   | 245      |
|  | 3                  | 2.25 | 10200 | 7700  | 14.8               | 13.1 |                  |     |                |      |                 |     | 16                       | 18   | 20                         | 20   |          |
|  | 4                  | 3    | 13600 | 10200 | 19.0               | 16.7 |                  |     |                |      |                 |     | 21                       | 23   | 25                         | 25   |          |
| 12SPXC -2<br>-3 -HP<br>-4<br>-5                    | 2                  | 1.5  | 6800  | 5100  | 10.6               | 9.5  | 2.3              | 1/4 | 4.7            | 25   | 2.3             | 1/4 | 12                       | 13   | 15                         | 15   | 245      |
|  | 3                  | 2.25 | 10200 | 7700  | 14.8               | 13.1 |                  |     |                |      |                 |     | 16                       | 18   | 20                         | 20   |          |
|  | 4                  | 3    | 13600 | 10200 | 19.0               | 16.7 |                  |     |                |      |                 |     | 21                       | 23   | 25                         | 25   |          |
|  | 4.5                | 3.38 | 15400 | 11500 | 21.1               | 18.6 |                  |     |                |      |                 |     | 23                       | 26   | 25                         | 30   |          |
|  |                    |      |       |       |                    |      |                  |     |                |      |                 |     |                          |      |                            |      |          |
| 18SPXC -2<br>-3 -HP<br>-4<br>-5<br>-6<br>-8<br>-10 | 2                  | 1.5  | 6800  | 5100  | 11.1               | 10.0 | 2.8              | 1/3 | 9.0            | 56.3 | 2.3             | 1/4 | 16                       | 16   | 25                         | 25   | 255      |
|  | 3                  | 2.25 | 10200 | 7700  | 15.3               | 13.6 |                  |     |                |      |                 |     | 17                       | 18   | 25                         | 25   |          |
|  | 4                  | 3    | 13600 | 10200 | 19.5               | 17.2 |                  |     |                |      |                 |     | 22                       | 24   | 25                         | 25   |          |
|  | 4.5                | 3.38 | 15400 | 11500 | 21.6               | 19.1 |                  |     |                |      |                 |     | 24                       | 26   | 25                         | 30   |          |
|  | 6                  | 4.5  | 20500 | 15400 | 27.8               | 24.4 |                  |     |                |      |                 |     | 31                       | 34   | 35                         | 35   |          |
|  | 8                  | 6.0  | 27300 | 20500 | 36.1               | 31.6 |                  |     |                |      |                 |     | 40                       | 44   | 40                         | 45   |          |
|  | 9                  | 6.75 | 30700 | 23000 | 40.3               | 35.3 |                  |     |                |      |                 |     | 44                       | 50   | 45                         | 50   |          |
| 24SPXC -3<br>-4 -HP<br>-5<br>-6<br>-8<br>-10       | 3                  | 2.25 | 10200 | 7700  | 15.3               | 13.6 | 2.8              | 1/3 | 10.9           | 62.9 | 2.3             | 1/4 | 19                       | 19   | 25                         | 25   | 295      |
|  | 4                  | 3    | 13600 | 10200 | 19.5               | 17.2 |                  |     |                |      |                 |     | 22                       | 24   | 25                         | 25   |          |
|  | 4.5                | 3.38 | 15400 | 11500 | 21.6               | 19.1 |                  |     |                |      |                 |     | 24                       | 26   | 25                         | 30   |          |
|  | 6                  | 4.5  | 20500 | 15400 | 27.8               | 24.4 |                  |     |                |      |                 |     | 31                       | 34   | 35                         | 35   |          |
|  | 8                  | 6.0  | 27300 | 20500 | 36.1               | 31.6 |                  |     |                |      |                 |     | 40                       | 44   | 40                         | 45   |          |
|  | 9                  | 6.75 | 30700 | 23000 | 40.3               | 35.3 |                  |     |                |      |                 |     | 44                       | 50   | 45                         | 50   |          |
| 30SPXC -3<br>-4 -HP<br>-5<br>-6<br>-8<br>-10       | 3                  | 2.25 | 10200 | 7700  | 16.6               | 14.9 | 4.1              | 1/2 | 12.8           | 67.8 | 1.9             | 1/3 | 22                       | 22   | 30                         | 30   | 300      |
|  | 4                  | 3    | 13600 | 10200 | 20.8               | 18.5 |                  |     |                |      |                 |     | 23                       | 25   | 30                         | 30   |          |
|  | 4.5                | 3.38 | 15400 | 11500 | 22.9               | 20.4 |                  |     |                |      |                 |     | 26                       | 28   | 30                         | 30   |          |
|  | 6                  | 4.5  | 20500 | 15400 | 29.1               | 25.7 |                  |     |                |      |                 |     | 32                       | 35   | 35                         | 35   |          |
|  | 8                  | 6.0  | 27300 | 20500 | 37.4               | 32.9 |                  |     |                |      |                 |     | 41                       | 46   | 40                         | 50   |          |
|  | 9                  | 6.75 | 30700 | 23000 | 41.6               | 36.6 |                  |     |                |      |                 |     | 46                       | 51   | 50                         | 60   |          |

**NOTE:**  
Compressors in these models do not operate simultaneously with heater elements.

| BLOWER DATA |                       |                                 |      |      |      |      |      |      |      |
|-------------|-----------------------|---------------------------------|------|------|------|------|------|------|------|
| UNIT MODEL  | MOTOR SPEED CONN. (1) | CFM vs EXTERNAL STATIC PRESSURE |      |      |      |      |      |      |      |
|             |                       | 0.05                            | 0.10 | 0.15 | 0.20 | 0.25 | 0.30 | 0.35 | 0.40 |
| 9SPXC-HP    | HIGH                  | 490                             | 475  | 465  | 455  | 450  | 440  | 430  | 425  |
|             | MED (H & C)           | 390                             | 380  | 370  | 360  | 350  | 340  | 330  | 325  |
|             | LOW                   | 320                             | 310  | 300  | 290  | 280  | 270  | 260  | 250  |
| 12SPXC-HP   | HIGH                  | 500                             | 485  | 475  | 465  | 460  | 450  | 445  | 440  |
|             | MED (H & C)           | 430                             | 420  | 410  | 400  | 390  | 385  | 375  | 370  |
|             | LOW                   | 350                             | 340  | 330  | 320  | 310  | 305  | 295  | 285  |
| 18SPXC-HP   | TAP 3                 | 705                             | 695  | 685  | 675  | 670  | 660  | 650  | 635  |
|             | TAP 2(C)              | 655                             | 645  | 635  | 620  | 610  | 600  | 590  | 580  |
|             | TAP 1(H)              | 565                             | 550  | 540  | 530  | 515  | 505  | 490  | 480  |
| 24SPXC-HP   | TAP 3                 | 900                             | 890  | 880  | 870  | 860  | 855  | 845  | 835  |
|             | TAP 2(C)              | 820                             | 810  | 800  | 790  | 780  | 770  | 760  | 750  |
|             | TAP 1(H)              | 720                             | 710  | 700  | 690  | 680  | 670  | 660  | 650  |
| 30SPXC-HP   | TAP 3                 | 910                             | 900  | 895  | 890  | 885  | 880  | 875  | 870  |
|             | TAP 2(C)              | 845                             | 840  | 835  | 830  | 825  | 820  | 815  | 810  |
|             | TAP 1(H)              | 740                             | 730  | 720  | 725  | 715  | 710  | 700  | 690  |

(1) Factory Settings:  
(H) = Heating, (C) = Cooling

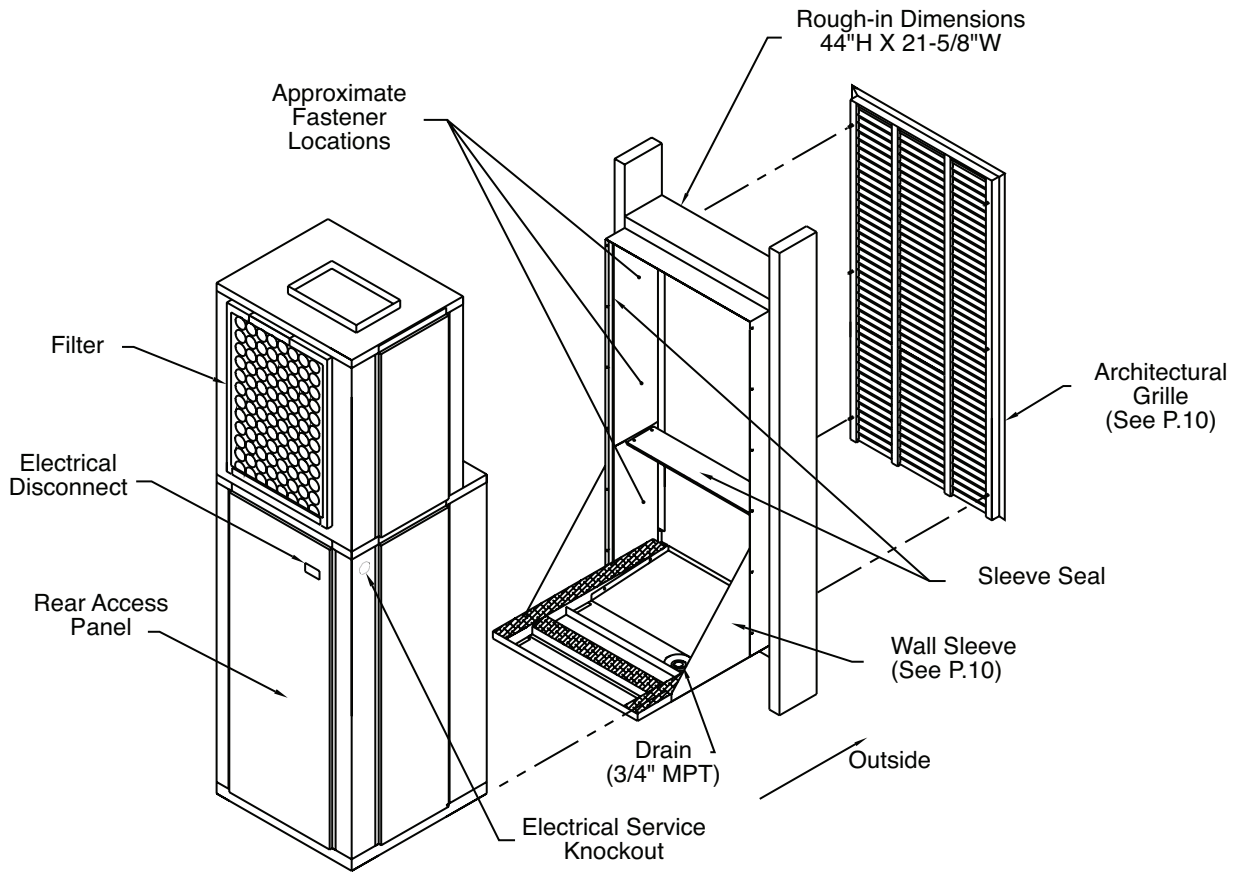
| COOLING / PERFORMANCE DATA |                     |      |
|----------------------------|---------------------|------|
| UNIT MODEL                 | STANDARD RATING (1) | EER  |
|                            | BTUH                |      |
| 9SPXC-HP                   | 9100                | 11.0 |
| 12SPXC-HP                  | 11200               | 11.0 |
| 18SPXC-HP                  | 16800               | 11.0 |
| 24SPXC-HP                  | 22200               | 11.0 |
| 30SPXC-HP                  | 27600               | 11.0 |

(1) 95°F DB/75°F WB outdoor - 80°F DB/67°F WB indoor.  
(2) Tested in accordance with AHRI Standard 390.

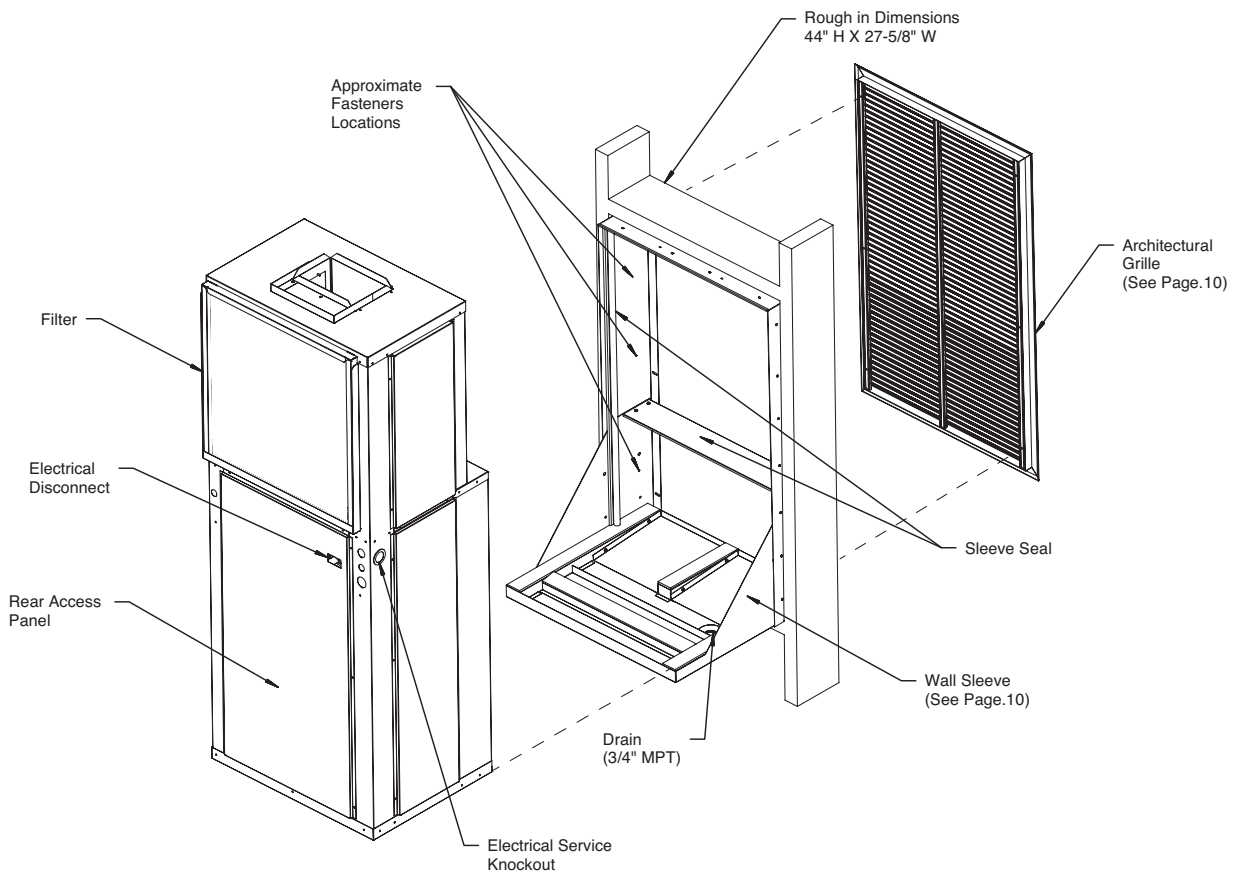
| HEATING / PERFORMANCE DATA (3) |                     |           |
|--------------------------------|---------------------|-----------|
| UNIT MODEL                     | STANDARD RATING (1) | COP (47°) |
|                                | BTUH                |           |
| 9SPXC-HP                       | 8800                | 3.5       |
| 12SPXC-HP                      | 10700               | 3.3       |
| 18SPXC-HP                      | 15700               | 3.5       |
| 24SPXC-HP                      | 20800               | 3.5       |
| 30SPXC-HP                      | 25200               | 3.3       |

(1) 47°F DB/43°F WB outdoor,  
70°F DB/60°F WB indoor.

**WARNING AVERTISSEMENT ADVERTENCIA**  
Cancer and Reproductive Harm  
Cancer et Troubles de l'appareil reproducteur  
Cáncer y Daño Reproductivo  
[www.P65Warnings.ca.gov](http://www.P65Warnings.ca.gov) LBY0057



**Figure 1 - General Assembly for standard sleeve and Grill**



**Figure 1A - General Assembly for Large sleeve and Grill size 24**

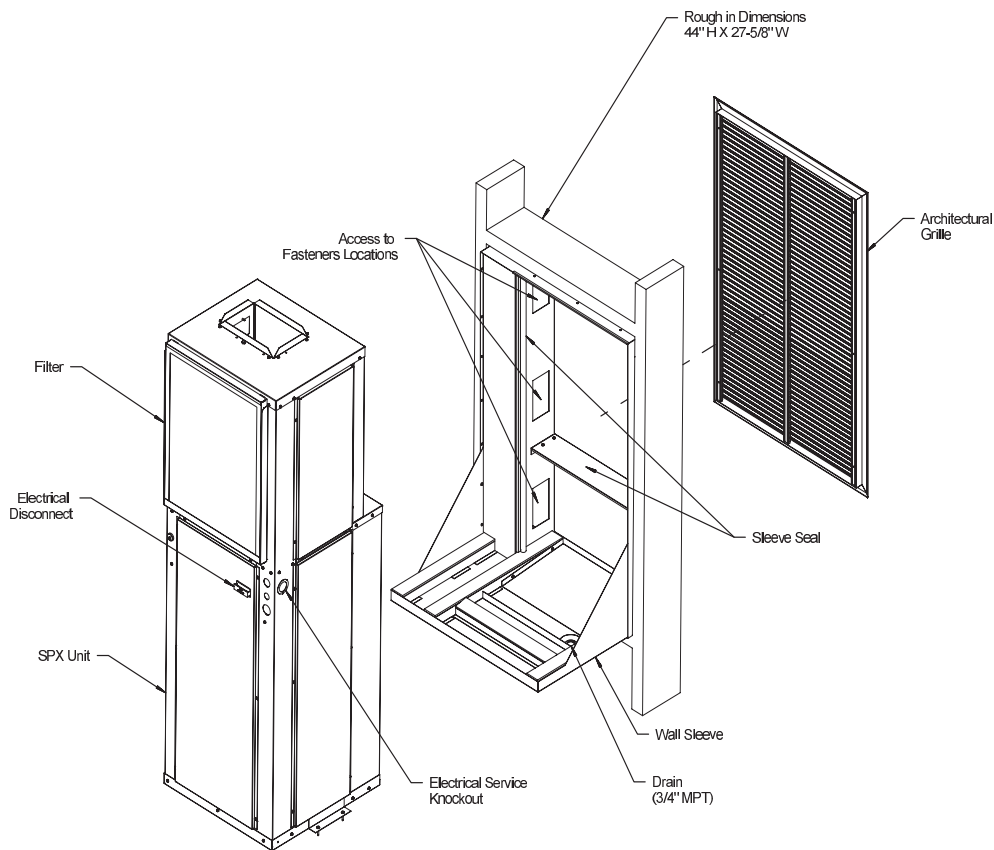


Figure 1B - General Assembly for Large sleeve and Grill for 09-18 sizes with block off

## FEATURES AND BENEFITS

1. **Solid State Circuit Board** - Incorporates the following control features:
  - **Evaporator coil low temperature protection** – During the cooling mode, should the evaporator coil experience either a low temperature condition that could result in ice build up on the coil or a reduced air flow situation, a temperature sensor attached to the coil will de-energize the SPXC unit. The sensor will re-energize the SPU unit when the coil warms back up.
  - **Low ambient lockout** – Locks out compressor when the sensor registers temperatures of 40 degrees F and below to extend compressor life.
  - **Random restart** – When power is turned on after a power outage, a built-in random restart (3 to 4 minutes) prevents all compressors from restarting simultaneously.
  - **Compressor restart delay** – This delay ensures that system pressures are allowed to equalize before a compressor restart, which extends compressor life.
  - **Fan delay** – A fan delay allows the evaporator blower to continue running for up to 45 seconds after the thermostat is satisfied. This feature maximizes cooling performance.
  - **Low voltage fuse protection**
2. **Service Pullout** - Factory installed for service convenience and maintenance.
3. **Adjustable fresh air (manual)** - To meet code requirements for fresh air introduction. When opened, the fresh air vent (see Figure 8) allows up to 50 CFM of outside air to be introduced into the equipment closet. The air then mixes with return air entering the closet through the return air grille.
4. **Wall-mounted thermostat** – (See “accessories”, P.11) The SPXC is easily controlled by a standard low voltage wall thermostat rather than complicated unit-mounted controls. Low voltage wires are “stubbed” out the left side of the cabinet.
5. **40VA transformer**

## FEATURES AND BENEFITS (CONT.)

5. **Wall Sleeve** – (See Figures 1,1A,1B, 4 and 5) Rear or side install wall sleeves are provided for installation during rough-in and, when ready, the **SPXC** unit is simply slid into the sleeve and the ductwork and electrical connected. The sleeve is a weight-bearing sleeve that supports the entire weight of the **SPXC** unit and provides a weather tight seal against wind and water infiltration. A 3/4" male NPT fitting is provided in the bottom of the sleeve for field connection to a condensate riser. Four wall sleeve depths are available to accommodate wall thickness from 5" to 20". Each sleeve includes a factory installed "weather guard" to cover the sleeve opening during construction.
6. **Unique "Sleeve Drain" Condensate System** - (Also see Figure 4) A factory installed drain line connects the evaporator drain pan to a vertical pipe connection in the **SPXC** base pan. Evaporator condensate is delivered from the **SPXC**



"Standard Rear Install" sleeve shown

unit to a catch tray in the wall sleeve and exits the sleeve through the 3/4" male NPT fitting. This design allows the plumber to completely pipe the drain to a condensate riser during the rough-in stage, thus eliminating condensate connection problems usually encountered when trying to connect the HVAC drain to the riser after the HVAC unit is installed in the closet. This feature also allows the **SPXC** unit to be removed for service without disconnecting the condensate

pipng! This configuration does not require any additional closet space to make the drain connection, as do some competitive products.

7. **Secondary overflow:** If for any reason the primary condensate riser becomes clogged, water will fill the catch tray and then be diverted through the sleeve to the exterior of the building, rather than be allowed to overflow into the closet or living area. Rain water entering the sleeve is automatically diverted to the 3/4" sleeve drain.
8. **Ductable return air** – Return air can be ducted to the unit. However, most installations would not normally require ducted return air.
9. **New "Flush Style" Architectural Grille** – (See Figure 6) This new grille is an attractive extruded aluminum architectural grille that attaches to the outside face of the wall sleeve. The blades of this unique grille recess into the wall sleeve for a neat, "flush" appearance. Grilles install from the inside of the wall sleeve. Do not install the **SPXC** unit into the sleeve before installing the grille.
10. **Filter Brackets** – (See Figure 7) Filter Brackets and throw away filter are shipped with each unit and are field installed over the unit's evaporator coil.
11. **Insulation kit (#91K01-91K02)** - The interior of all **SPXC**'s is lined with 1/2" fiberglass as standard. The 91K\*\* kit is designed to be used in any application where additional insulation is desired. The kit includes three sections of 5/8" foil faced ductboard insulation that are screwed together in the field and cover the three sides on the condenser section.

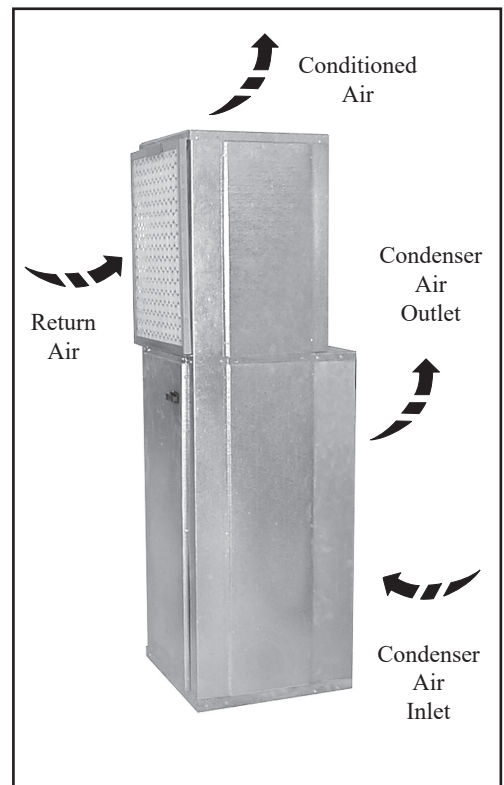
Figure 2

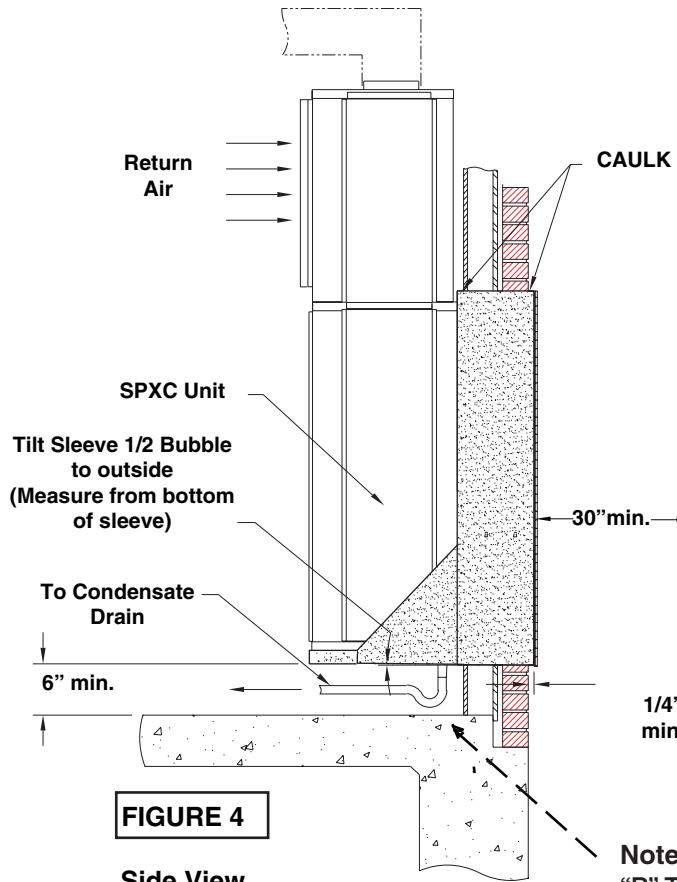


SHOWN WITH OPTIONAL LOUVERED ACCESS PANEL (See P.11)

NOTE: A solid door or panel in front with a side wall return air grill will result in lower sound levels.

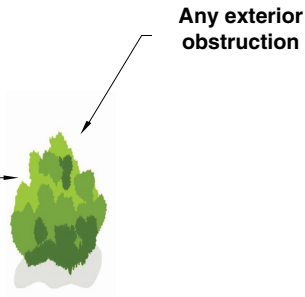
Figure 3





**FIGURE 4**

**Side View  
(with "Rear Install" sleeve)**



**FIGURE 5**

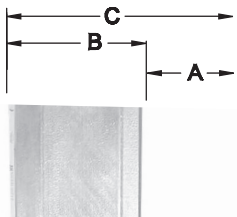
**Side Install Sleeve**

**Note:**  
Separate wall mounting bracket is shipped with "side install" wall sleeves.

**Note:**  
"P" Trap is shown for illustration purposes only - It may not be required by local codes.

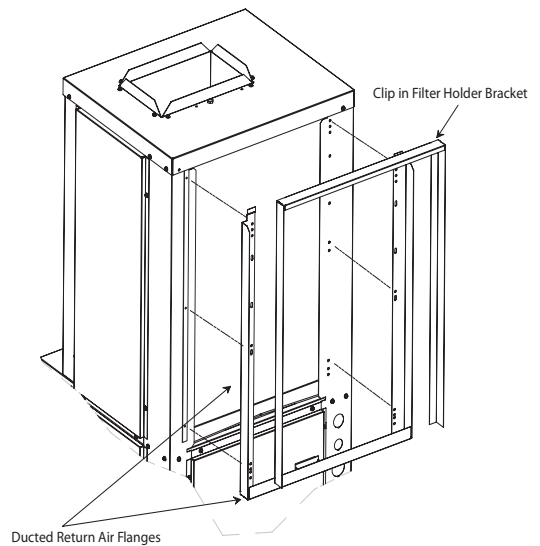
| UNIT / SLEEVE DIMENSIONS |              |                     |     |         |     |
|--------------------------|--------------|---------------------|-----|---------|-----|
| Part Number              |              | Fits Wall Thickness | A   | B       | C   |
| Rear Install             | Side Install |                     |     |         |     |
| 9**-1B                   | 9**-11B      | 5" - 8" wall        | 9"  | 17-1/2" | 26" |
| 9**-2B                   | 9**-12B      | 8" - 12" wall       | 13" | 17-1/2" | 30" |
| 9**-3B                   | 9**-13B      | 12" - 15" wall      | 16" | 17-1/2" | 33" |
| 9**-4B                   | 9**-14B      | 15" - 20" wall      | 21" | 17-1/2" | 38" |

\*\* = wall sleeve regular, large and large with block off see page 10



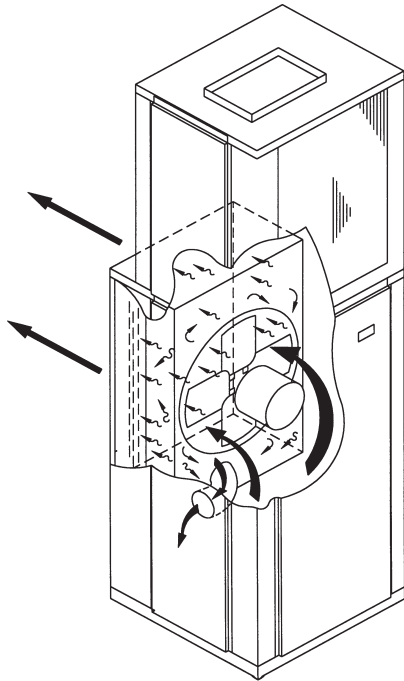
**FIGURE 6**

**(Unit shown with "Rear Install" sleeve)**



**FIGURE 7**

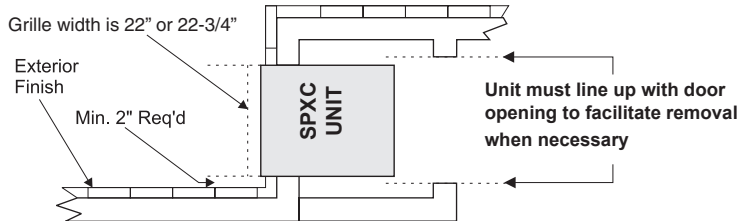
**Filter Bracket Detail**



One end of a 3" aluminum vent pipe is connected to the condenser venturi and the other end is connected to the side of the SPXC cabinet. A mesh screen is installed inside the vent pipe and a metal plate on the side of the cabinet covers the opening of the vent pipe. Up to 50 CFM of fresh air is introduced into the equipment closet by removing the metal cover plate. The fresh air then mixes with the return air and is then pulled through the evaporator coil and into the supply duct. The cover plate can be re-installed to partially close the fresh air opening if less than 50 CFM is desired. An external source of negative pressure (i.e. a bathroom fan) could be used to introduce more than 50 CFM of fresh air. Consult with factory for further details.

**FIGURE 8**

### SPXC Closet Rear Installation Detail for Small Sleeve 21" Wide(9-18SPXC only)



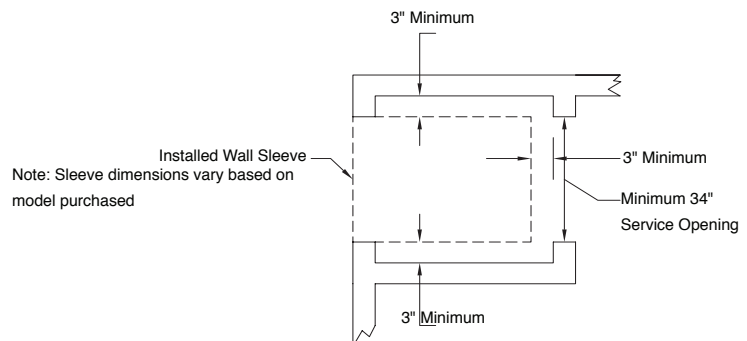
**Notes:**

1. Sleeve rough-in opening is 44"(H) X 21-5/8"(W).
2. Bottom of opening should be approx. 6" above floor level
3. Minimum 3" of clearance is required on all sides of the SPXC unit.
4. Note the Hurricane Grill is 3/4" larger

### SPXC Closet Dimensions - Rear Installation Detail for Small Sleeve 21" Wide (9-18SPXC only)

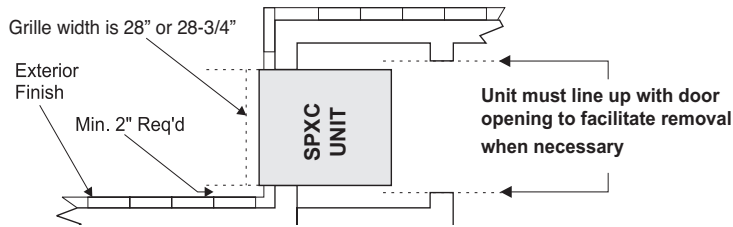
**NOTE:**

Provide minimum clearances as shown for interior closet dimensions





## SPXC Closet Rear Installation Detail for Large Sleeve 27" Wide (24 or 30SPXC or 9-18 with Blockoff)



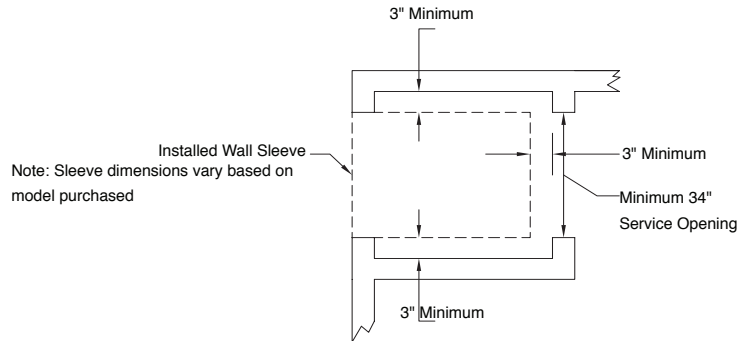
**Notes:**

1. Sleeve rough-in opening is 44"(H) X 27-5/8"(W).
2. Bottom of opening should be approx. 6" above floor level.
3. Minimum 3" of clearance is required on all sides of the SPXC unit.
4. Note the Hurricane Grille is 3/4" larger

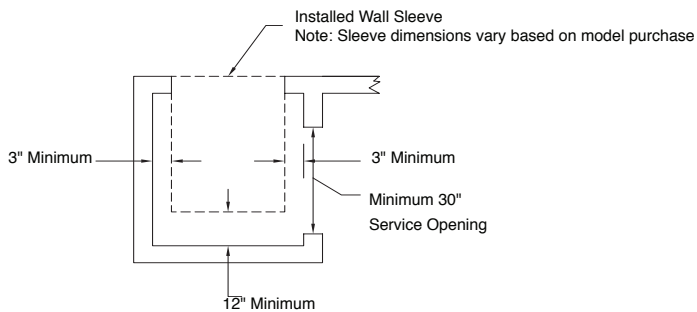
## SPXC Closet Dimensions - Rear Installation Detail for Large Sleeve 27" Wide (24SPXC or 9-18 with Blockoff)

**NOTE:**

Provide minimum clearances as shown for interior closet dimensions



## SPXC Closet Dimensions - Side Installation for Small Sleeve 21" Wide (9-18SPXC only)



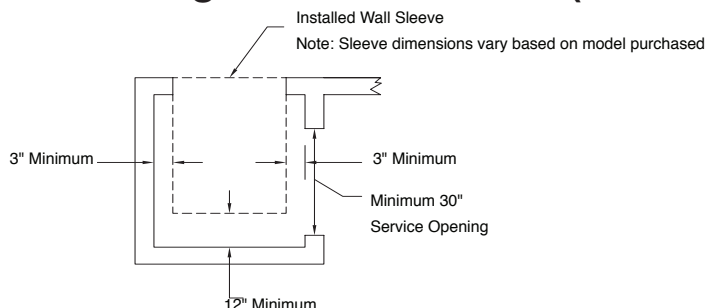
**NOTE:**

Sleeve should be installed in a exterior wall prior to constructing the closet.

**Notes:**

1. Sleeve rough-in opening is 44"(H) X 21-5/8"(W).
2. Bottom of opening should be approx. 6" above floor level.
3. Minimum 3" of clearance is required on the sides of the SPXC unit and 12" clearance on the rear of the unit .

## SPXC Closet Dimensions - Side Installation for Large Sleeve 27" Wide (24 or 30SPXC or 9-18 with Blockoff)



**NOTE:**

Sleeve should be installed in a exterior wall prior to constructing the closet.

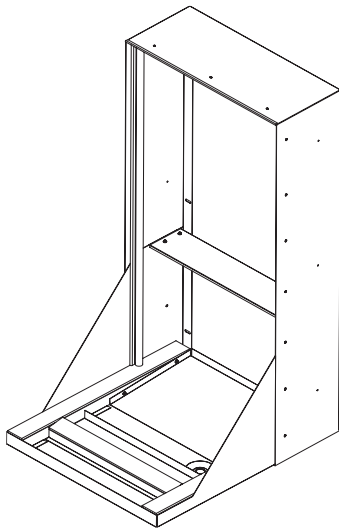
**Notes:**

1. Sleeve rough-in opening is 44"(H) X 27-5/8"(W).
2. Bottom of opening should be approx. 6" above floor level.
3. Minimum 3" of clearance is required on the sides of the SPXC unit and 12" clearance on the rear of the unit .

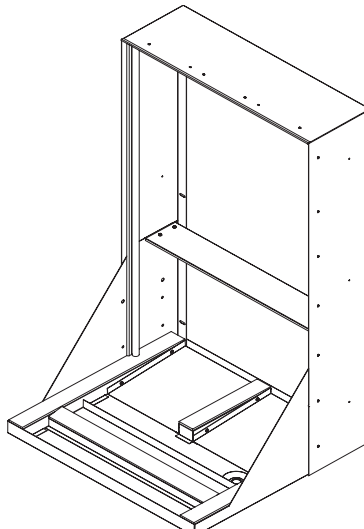
| ACCESSORIES (sleeves, louver, and thermostat required for each installation) |                           |                      |                              |                                  |                   |              |               |        |
|--|---------------------------|----------------------|------------------------------|----------------------------------|-------------------|--------------|---------------|--------|
| ACCESSORY  | DESCRIPTION               | DIMENSIONS (HXWxD)   | PART NUMBERS                 |                                  |                   |              | SHIP WT. (EA) |        |
|  |                           |                      | STANDARD SLEEVES             |                                  | HURRICANE (5)     |              |               |        |
|  |                           |                      | REAR INSTALL (non-Hurricane) | SIDE INSTALL (3) (non-Hurricane) | REAR INSTALL      | SIDE INSTALL | REAR          | SIDE   |
| STANDARD WALL SLEEVES SIZE 9-18 (2)  | For 5" - 8" thick walls   | 43-3/4 x 21-3/8 x 26 | 936-1B                       | 936-11B                          | 936-1H            | 936-11H      | 59 (4)        | 64 (4) |
|  | For 8" - 12" thick walls  | 43-3/4 x 21-3/8 x 30 | 936-2B                       | 936-12B                          | 936-2H            | 936-12H      | 63 (4)        | 68 (4) |
|  | For 12" - 15" thick walls | 43-3/4 x 21-3/8 x 33 | 936-3B                       | 936-13B                          | 936-3H            | 936-13H      | 68 (4)        | 73 (4) |
|  | For 15" - 20" thick walls | 43-3/4 x 21-3/8 x 38 | 936-4B                       | 936-14B                          | 936-4H            | 936-14H      | 75 (4)        | 80 (4) |
|  |                           |                      | REAR INSTALL (non-Hurricane) | SIDE INSTALL (3) (non-Hurricane) | REAR INSTALL      | SIDE INSTALL | REAR          | SIDE   |
| LARGE WALL SLEEVES SIZE 24 & 30 (2)  | For 5" - 8" thick walls   | 43-3/4 x 27-3/8 x 26 | 985-1B                       | 985-11B                          | 985-1H            | 985-11H      | 63 (4)        | 68 (4) |
|  | For 8" - 12" thick walls  | 43-3/4 x 27-3/8 x 30 | 985-2B                       | 985-12B                          | 985-2H            | 985-12H      | 68 (4)        | 73 (4) |
|  | For 12" - 15" thick walls | 43-3/4 x 27-3/8 x 33 | 985-3B                       | 985-13B                          | 985-3H            | 985-13H      | 75 (4)        | 80 (4) |
|  | For 15" - 20" thick walls | 43-3/4 x 27-3/8 x 38 | 985-4B                       | 985-14B                          | 985-4H            | 985-14H      | 79 (4)        | 84 (4) |
|  |                           |                      | STANDARD SLEEVES             |                                  | HURRICANE (5)     |              |               |        |
|  |                           |                      | REAR INSTALL (non-Hurricane) | SIDE INSTALL (3) (non-Hurricane) | REAR INSTALL      | SIDE INSTALL | REAR          | SIDE   |
| LARGE WALL SLEEVES WITH BLOCK OFF SIZE 9-18 (2)                              | For 5" - 8" thick walls   | 43-3/4 x 27-3/8 x 26 | 986-1B                       | 986-11B                          | 986-1H            | 986-11H      | 63 (4)        | 68 (4) |
|  | For 8" - 12" thick walls  | 43-3/4 x 27-3/8 x 30 | 986-2B                       | 986-12B                          | 986-2H            | 986-12H      | 68 (4)        | 73 (4) |
|  | For 12" - 15" thick walls | 43-3/4 x 27-3/8 x 33 | 986-3B                       | 986-13B                          | 986-3H            | 986-13H      | 75 (4)        | 80 (4) |
|  | For 15" - 20" thick walls | 43-3/4 x 27-3/8 x 38 | 986-4B                       | 986-14B                          | 986-4H            | 986-14H      | 79 (4)        | 84 (4) |
|  |                           |                      | Custom Painted               | For Field Painting               | Anodized Aluminum |              |               |        |
| ARCHITECTURAL GRILLES STANDARD   | Standard                  | 44 x 22              | G205S (1)                    | G205PPA                          | G205A             | ---          | 12            |        |
|  | Hurricane                 | 45-5/8 x 22-3/4      | G215S (1)                    | G215P                            | G215A             | ---          | 22            |        |
|  |                           |                      | Custom Painted               | For Field Painting               | Anodized Aluminum |              |               |        |
| ARCHITECTURAL GRILLES LARGE  | Standard                  | 44 x 28              | G216S (1)                    | G216PPA                          | G216A             | ---          | 18            |        |
|  | Hurricane                 | 45-5/8 x 28-3/4      | G217S (1)                    | G217P                            | G217A             | ---          | 28            |        |

**NOTES:**

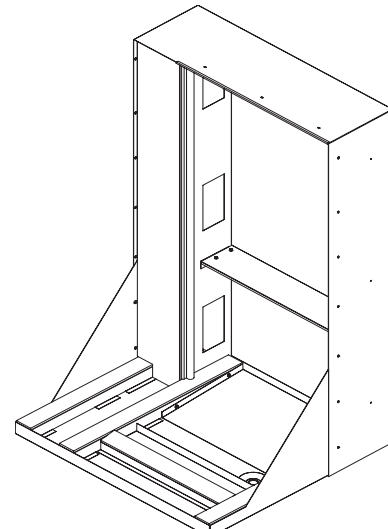
- (1) "S" indicates custom color, to be provided by customer. Minimum order quantity is 20 per color.
- (2) Rear install application provides better access to the SPXC unit and is recommended over "side install" wherever possible.
- (3) Side install application requires different closet size and configuration. (See P.9) Contact factory for further information.
- (4) All wall sleeves are shipped two (2) per carton.
- (5) Hurricane sleeves require special grille (see "Architectural Grilles" above) (contact the factory for information about hurricane sleeves and grilles)







Standard sleeve for 9SPXC, 12SPXC and 18SPXC



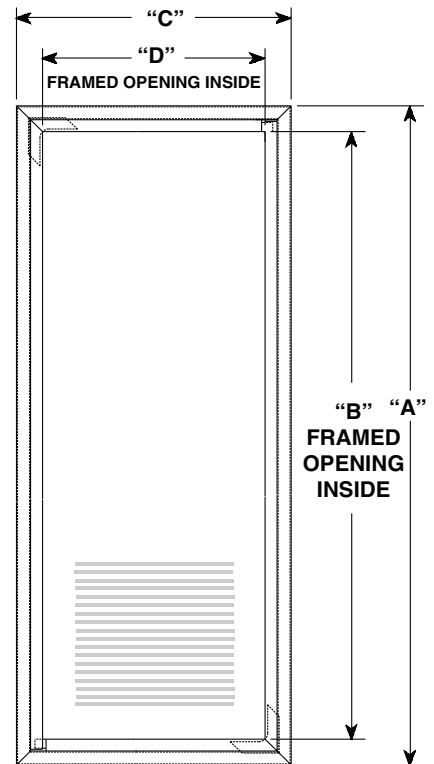
Standard sleeve for 24 or 30SPXC (large)



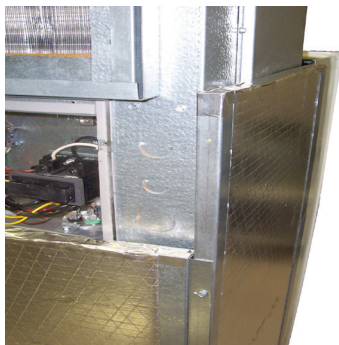
Large sleeve for 9SPXC, 12SPXC and 18SPXC If Larger Grille is needed to match exterior

|             |  |                           |         |  |             |     |
|-------------|--|---------------------------|---------|--|-------------|-----|
| THERMOSTATS | Straight Cool (24V)<br>Digital<br>cool - off - heat, auto - on<br>w/limits-(6-wire)                    | 4 x 5<br>(Horizontal)     | T1020NC |  | ---         | --- |
|             | Heat Pump (24V)<br>Digital w/emergency heat<br>cool - off - heat, auto - on<br>w/limits-(6-wire)       | 4 x 5<br>(Horizontal)     | T1220NC |  | ---         | --- |
|             | Programmable (5-2)<br>st. Cool/Ht. Pump (24V)<br>cool-off-heat, auto-on<br>w/em. Ht. & limits (6-wire) | 4 x 5<br>(Horizontal)     | T2220NC |  | ---         | --- |
|             | Straight Cool or Heat<br>Pump (24V)<br>Digital<br>Occupancy Sensor                                     | 4.3 x 5.7<br>(Horizontal) | T8532   |  | <b>New!</b> |     |

| OPTIONAL ACCESSORIES (field installed) |                  |                    |         |             |          |
|--|------------------|--------------------|---------|-------------|----------|
| COMPONENT                              | DESCRIPTION      | DIMENSIONS (H X W) |         | PART NUMBER | SHIP WT. |
|  |                  | FRAME              | OPENING |             |          |
| ACCESS / RETURN AIR PANEL (3)(4)       | LOUVERED (1)     | 87 X 31            | 84 X 28 | 931-11      | 55       |
|  | NON-LOUVERED (2) | 87 X 31            | 84 X 28 | 931-12      |          |
|  | LOUVERED (1)     | 82 X 31            | 79 X 28 | 931-13      | 55       |
|  | NON-LOUVERED (2) | 82 X 31            | 79 X 28 | 931-14      |          |
| ACCESS / RETURN AIR PANEL (3)(4)       | LOUVERED (1)     | 87 X 37            | 84 X 34 | 931-15      | 55       |
|  | NON-LOUVERED (2) | 87 X 37            | 84 X 34 | 931-16      |          |
|  | LOUVERED (1)     | 82 X 37            | 79 X 34 | 931-17      | 55       |
|  | NON-LOUVERED (2) | 82 X 37            | 79 X 34 | 931-18      |          |
| 9-18 INSULATION KIT                    | 5/8" DUCTBOARD   | N/A                |         | 91K01       | ---      |
| 24 INSULATION KIT                      |                  |                    |         | 91K02       | ---      |



|   | PART NO.   | "A"   | "B"   | "C"   | "D"   |
|---|------------|-------|-------|-------|-------|
|   | 931-11(12) | 87.00 | 84.00 | 31.00 | 28.00 |
|   | 931-13(14) | 82.00 | 79.00 | 31.00 | 28.00 |
| * | 931-15(16) | 87.00 | 84.00 | 37.00 | 34.00 |
| * | 931-17(18) | 82.00 | 79.00 | 37.00 | 34.00 |



91K01 OR 91K02

\* For rear installation use with size 24 or 30

NOTE: A solid door or panel with a side wall return air grille will result in lower sound levels.

**NOTES:**

- (1) Includes 18 x 24 x 1 or 20 x 24 x 1 filter.
- (2) Requires external return air grille and unit mount filter.
- (3) Both panels are insulated for sound reduction and have tamperproof screws.
- (4) Panels are shipped ten per carton.

**MODEL NUMBER NOMENCLATURE**

