



## CEILING RADIATION DAMPER

**MODEL:**  
**50 (Rectangular)**



### APPLICATION

The CRD-50 is for use in any fire resistive floor or roof/ceiling assembly with a restrained or unrestrained assembly rating of 3 hours or less. This product can also be applied to steel lay-in style ceiling diffusers up to 24 in. x 24 in. (610mm x 610mm) maximum size.

**Please consult factory for use in floor/ceiling and roof/ceiling designs.**

### Standard Construction

1. UL listed link (165°F or 212°F)
2. Blades 22 (0.853mm) Ga. galvanized steel
3. Ceramic fiber with fiberglass cover\*
4. Roll-formed frame 22 (0.853mm) Ga. galvanized steel
5. Steel duct drop (by others).

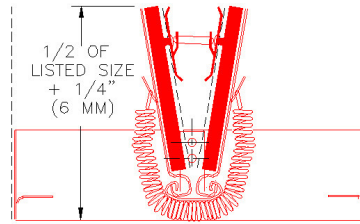
UL 555C Fire Resistance Rating  
Fire resistance rated 3 Hours  
Building materials rated 3 Hours

Model CRD 50 meets the requirements for fire dampers established by:

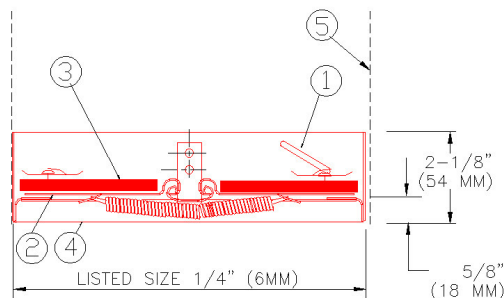
**CSFM California State Fire Marshal  
Fire Damper Listing (#3225-1417:101)**

### Note:

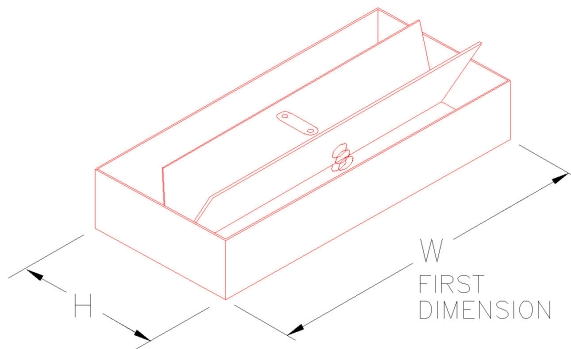
1. Maximum size 24"x24" (600mm x 600mm)  
Minimum size 4"x4" (101mm x 101mm)
2. Available in stainless steel
3. Manufactured with blade opening as per sketch #1: when "W" equal to or greater than 6"
4. Manufactured with blade opening as per sketch #2: when "W" is less than 6" and "H" is greater than "W".
5. \*Ceramic insulation is not UL required on dampers with areas less than 80 square inches of blade surface. Dampers above 80 square inches will be provided with blade insulation.



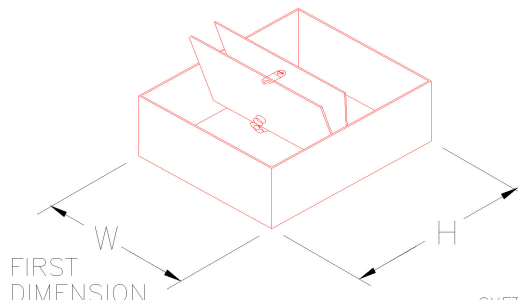
CRD SHOWN IN OPEN POSITION



CRD SHOWN IN CLOSED POSITION



SKETCH 1



SKETCH 2

Note:  
First dimension is always the hinge length  
Example:  
A 12x6 CRD 50-EA has a 12"(W) long hinged length

