



MILCOR®

ACCESS DOORS
2017

HART
COOLEY
install confidence.

WHERE HIGH EFFICIENCY IS THE STANDARD

EXPERIENCE

Milcor offers years of experience in the manufacture of a broad range of products and services for residential, commercial, institutional and industrial construction.

ENGINEERING

Each Milcor Access Door is engineered for specific application. Two principles guide the design of our products:
Function - the door must provide the function desired.
Installation - the door must be easy to install in the location (wall or ceiling) and on the type of surface, and must provide the desired finished installed appearance.

QUALITY

Milcor has a long-established reputation for quality construction of metal access doors. At Milcor, the tradition of quality continues with advanced manufacturing techniques and quality control procedures.

ON-TIME DELIVERY

From long experience, Milcor understands the importance of on-time delivery of building components to meet construction schedules. Our reputation has been built on delivering every order on-time and complete.

SELECTION

Milcor access doors provide critical service access in all types of wall and ceiling areas. Milcor sets the standard for the most diversified offering of access doors. Doors are offered in standard and special sizes to meet specific customer needs.

CUSTOMIZATION

Milcor access doors are sized to fit common framing dimensions for areas in which they are designed to be used. However, special sizes and modifications are available on request. Other than the Style ME, all access doors are powder coated gray, but have an option of a gold sand, jet black, or brilliant white painted finish.

PRODUCT CHANGES

Hart & Cooley, Inc. reserves the right to change the design or details of its products without notice, as long as those changes do not affect the essential utility or function of the products.

WARRANTY

Hart & Cooley, Inc. warrants for one year all goods sold to be free from defects in materials and workmanship, but limits our liability expressly to the replacement of goods not complying with this warranty; or, at our election, a credit to the buyer of the purchase price paid.

MILCOR[®]

Hart & Cooley, Inc.
5030 Corporate Exchange Blvd. SE
Grand Rapids, MI 49512

P (800) 624-8642
F (855) 549-2674

TABLE OF CONTENTS

Styles	Finish	Door Type	Application	Pg.
M	Powder Coated Steel	Flush Frame	All Ceilings & Walls	4
DW	Powder Coated Steel	Drywall Bead	Drywall Ceilings & Walls	5
K	Powder Coated Steel	Plaster Lathe	Plaster Ceilings & Walls	6
DWR	Powder Coated Steel	Recessed Drywall	Drywall Ceilings & Walls	7
AP	Powder Coated Steel	Recessed Plaster	Plaster Ceilings & Walls	8
ATR	Powder Coated Steel	Recessed Fire-Resistant	Suspended Drywall Ceilings	9
AT	Powder Coated Steel	Recessed	Acoustical Tile Ceilings	10
UFR	Powder Coated Steel	Insulated Fire Rated	All Ceilings & Walls	11
NIFR	Powder Coated Steel	Non-Insulated Fire Rated	Walls	12
UFR DW	Powder Coated Steel	Insulated Fire Rated w/ Drywall Bead	All Ceilings & Walls	13
CF/CT	Mill Finish Aluminum	Attic Access	Suspended Ceilings	14, 15
SEC	Prime Painted Steel	High Security	Walls	16
Valve Boxes	Powder Coated Steel	Enclosed Valve Box	Valve Enclosures	17
E	Bright White Enamel	Flush Frame	Drywall, Masonry or Tile Walls	18
Customized Doors				19
Lock Options				20

ARCHITECTURAL GRADE FLUSH DOOR - M

FOR DRYWALL, MASONRY OR TILE WALLS

Milcor M Access Doors provide critical service access in drywall, masonry or tile walls or ceilings and offer superior resistance to corrosion.

Specifications

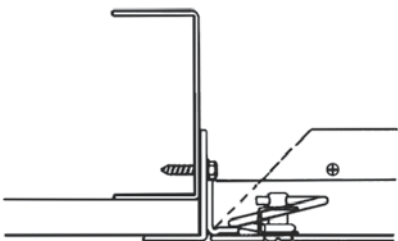
- **Material:** Attractive one-piece 16-gauge steel frame and door panel
- **Finishes:** Available in Powder Coated White, Galvanized, or Stainless Steel
- **Hinge:** Concealed Spring Hinges mounted to frame to allow 175 degree opening for complete access. Extracting pin from hinge leaf attached to panel permits panel removal.
- **Latch:** Screwdriver operated cam latch or Cylinder Lock furnished with two keys. Other custom options available upon request.
- **Optional Colors:** Gray, Gold Sand and Jet Black



Masonry or Tile Wall Installation Detail



Drywall Installation Detail



Door Size* (Second Dim. Hinge Side)	Opening	Cam Locks		Cylinder Locks**		Shipping Wt.		
		Product No.	Description	Product No.	Description	No. Cams	No. Hinges	Lbs.
6" x 6"	6-1/4" x 6-1/4"	3202008	M C 6X6 CR W	3202108	M K 6X6 CR W	1	1	3
8" x 8"	8-1/4" x 8-1/4"	3202010	M C 8X8 CR W	3202110	M K 8X8 CR W	1	1	5
8" x 12"	8-1/4" x 12-1/4"	3202012	M C 8X12 CR W	3202112	M K 8X12 CR W	1	1	6
10" x 10"	10-1/4" x 10-1/4"	3202013	M C 10X10 CR W	3202113	M K 10X10 CR W	1	1	6
12" x 12"	12-1/4" x 12-1/4"	3202014	M C 12X12 CR W	3202114	M K 12X12 CR W	1	1	8
12" x 16"	12-1/4" x 16-1/4"	3202016	M C 12X16 CR W	3202116	M K 12X16 CR W	1	2	10
12" x 18"	12-1/4" x 18-1/4"	3202018	M C 12X18 CR W	3202118	M K 12X18 CR W	1	2	11
12" x 24"	12-1/4" x 24-1/4"	3202019	M C 12X24 CR W	3202119	M K 12X24 CR W	2	2	13
14" x 14"	14-1/4" x 14-1/4"	3202015	M C 14X14 CR W	3202115	M K 14X14 CR W	1	2	10
16" x 16"	16-1/4" x 16-1/4"	3202020	M C 16X16 CR W	3202120	M K 16X16 CR W	1	2	12
16" x 20"	16-1/4" x 20-1/4"	3202022	M C 16X20 CR W	3202122	M K 16X20 CR W	1	2	14
18" x 18"	18-1/4" x 18-1/4"	3202024	M C 18X18 CR W	3202124	M K 18X18 CR W	1	2	13
18" x 24"	18-1/4" x 24-1/4"	3202025	M C 18X24 CR W	3202125	M K 18X24 CR W	2	2	17
20" x 20"	20-1/4" x 20-1/4"	3202027	M C 20X20 CR W	3202127	M K 20X20 CR W	2	2	16
20" x 24"	20-1/4" x 24-1/4"	3202026	M C 20X24 CR W	3202126	M K 20X24 CR W	4 *	2	20
20" x 30"	20-1/4" x 30-1/4"	3202028	M C 20X30 CR W	3202128	M K 20X30 CR W	5 *	3	24
22" x 22"	22-1/4" x 22-1/4"	3202029	M C 22X22 CR W	3202129	M K 22X22 CR W	4 *	2	20
22" x 30"	22-1/4" x 30-1/4"	3202031	M C 22X30 CR W	3202131	M K 22X30 CR W	4 *	3	24
22" x 36"	22-1/4" x 36-1/4"	3202033	M C 22X36 CR W	3202133	M K 22X36 CR W	4 *	3	29
24" x 24"	24-1/4" x 24-1/4"	3202030	M C 24X24 CR W	3202130	M K 24X24 CR W	4 *	2	21
24" x 30"	24-1/4" x 30-1/4"	3202032	M C 24X30 CR W	3202132	M K 24X30 CR W	5 *	3	26
24" x 36"	24-1/4" x 36-1/4"	3202034	M C 24X36 CR W	3202134	M K 24X36 CR W	5 *	3	32
24" x 48"	24-1/4" x 48-1/4"	3202035	M C 24X48 CR W	3202135	M K 24X48 CR W	5 *	5	41
30" X 30"	30-1/4" X 30-1/4"	3202038	M C 30X30 CR W	3202138	M K 30X30 CR W	5 *	4	30
36" X 36"	36-1/4" X 36-1/4"	3202046	M C 36X36 CR W	3202146	M K 36X36 CR W	5 *	5	42

*One cam latch centered at top and bottom of panel; balance on side opposite hinges

**One Cylinder lock per door

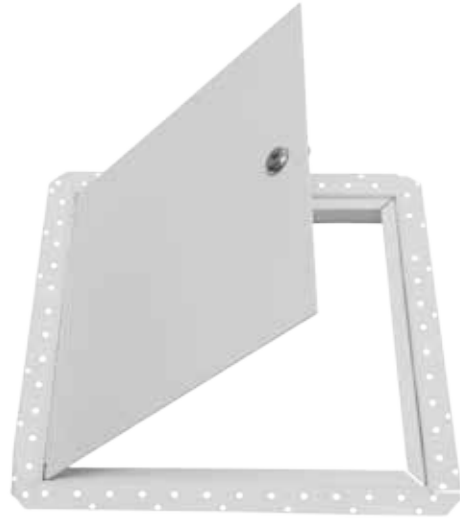
STANDARD FLUSH DOOR - DW

FOR DRYWALL CEILINGS OR WALLS

Milcor DW Access Doors provide critical service access in drywall ceilings or walls. Door style is flush with provision to conceal flange with drywall cement.

Specifications

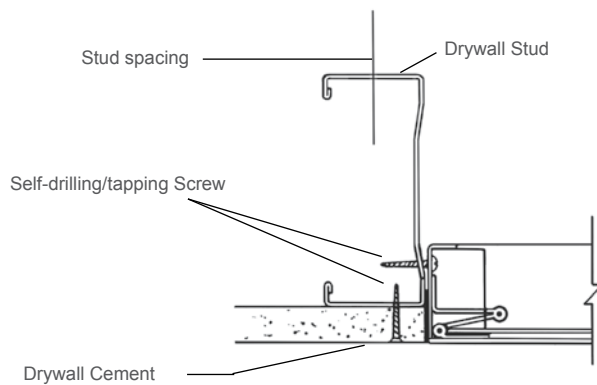
- **Material:** 16-gauge steel frame surrounded by a galvanized steel drywall bead. 16-gauge door panel
- **Finishes:** Available in Powder Coated White, Galvanized, or Stainless Steel
- **Hinge:** Concealed Spring Hinges mounted to frame to allow 175 degree opening for complete access. Extracting pin from hinge leaf attached to panel permits panel removal.
- **Latch:** Screwdriver operated cam latch or Cylinder Lock furnished with two keys. Other custom options available upon request.
- **Optional Colors:** Gray, Gold Sand and Jet Black



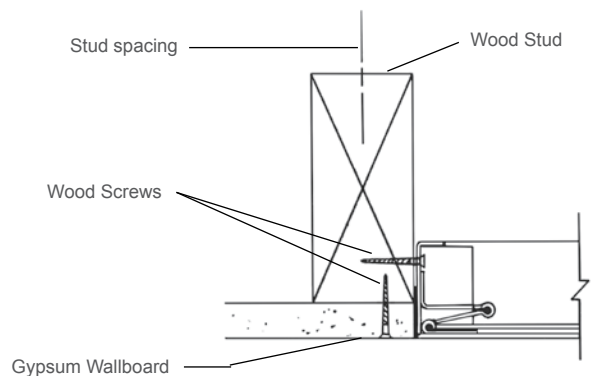
Stud Spacing	Door Size*	Opening	Product No.	Description	No. Cams	No. Hinges	Shipping Wt. Lbs.
	8" x 8"	8½" x 8½"	3203008	DW C 8X8 CR W	1	1	4
12" OC	10" x 10"	10½" x 10½"	3203010	DW C 10X10 CR W	1	1	5
	12" x 12"	12½" x 12½"	3203012	DW C 12X12 CR W	1	1	6
16" OC	14" x 14"	14½" x 14½"	3203014	DW C 14X14 CR W	1	2	9
	16" x 16"	16½" x 16½"	3203016	DW C 16X16 CR W	1	2	10
	18" x 18"	18½" x 18½"	3203017	DW C 18X18 CR W	1	2	12
24" OC	22" x 22"	22½" x 22½"	3203018	DW C 22X22 CR W	4*	2	17
26" OC	24" x 24"	24½" x 24½"	3203019	DW C 24X24 CR W	4*	2	19
	24" x 36"	24½" x 36½"	3203036	DW C 24X36 CR W	5*	3	28

*One cam latch centered at top and bottom of panel; balance of cam locks on side opposite hinge.

Steel Stud Installation Detail



Wood Stud Installation Detail



STANDARD FLUSH DOOR - K

FOR PLASTER WALLS OR CEILINGS

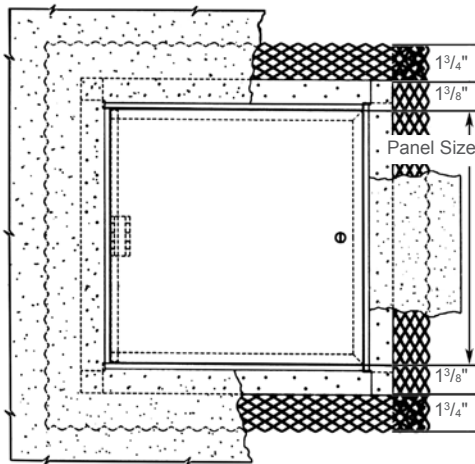
Milcor K Access Doors provide critical service access in plaster walls or ceilings.

Specifications

- **Material:** 16-gauge steel frame with 14-gauge door panel and 22-gauge expanded metal casing bead.
- **Finishes:** Available in Powder Coated White, Galvanized, or Stainless Steel
- **Hinge:** Concealed Spring Hinges mounted to frame to allow 175 degree opening for complete access. Extracting pin from hinge leaf attached to panel permits panel removal.
- **Latch:** Screwdriver operated cam latch or Cylinder Lock furnished with two keys. Other custom options available upon request.
- **Optional Colors:** Gray, Gold Sand and Jet Black



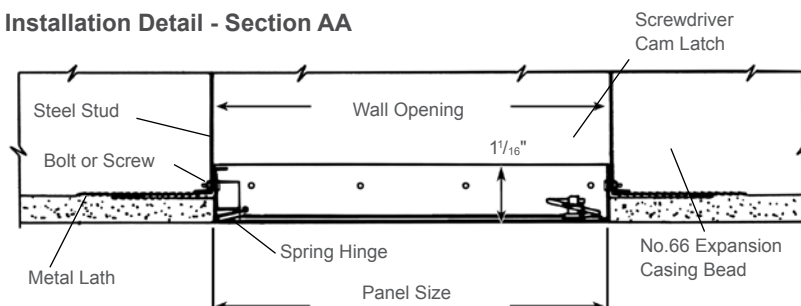
Installation Detail - Elevation



Door Size*	Opening	Product No.	Description	No. Cams	No. Hinges	Shipping Wt. Lbs.
8" x 8"	8-1/4" x 8-1/4"	3200010	K C 8X8 CR W	1	1	4
8" x 12"	8-1/4" x 12-1/4"	3200012	K C 8X12 CR W	1	1	6
12" x 12"	12-1/4" x 12-1/4"	3200014	K C 12X12 CR W	1	1	7
12" x 16"	12-1/4" x 16-1/4"	3200016	K C 12X16 CR W	1	2	9
12" x 18"	12-1/4" x 18-1/4"	3200018	K C 12X18 CR W	1	2	10
12" x 24"	12-1/4" x 24-1/4"	3200019	K C 12X24 CR W	2	2	12
16" x 16"	16-1/4" x 16-1/4"	3200020	K C 16X16 CR W	1	2	11
16" x 20"	16-1/4" x 20-1/4"	3200022	K C 16X20 CR W	1	2	13
18" x 18"	18-1/4" x 18-1/4"	3200024	K C 18X18 CR W	1	2	12
20" x 24"	20-1/4" x 24-1/4"	3200026	K C 20X24 CR W	4 *	2	17
20" x 30"	20-1/4" x 30-1/4"	3200028	K C 20X30 CR W	5 *	3	21
24" x 24"	24-1/4" x 24-1/4"	3200030	K C 24X24 CR W	4 *	2	20
24" x 30"	24-1/4" x 30-1/4"	3200032	K C 24X30 CR W	5 *	3	24
24" x 36"	24-1/4" x 36-1/4"	3200034	K C 24X36 CR W	5 *	3	28
30" x 30"	30-1/4" x 30-1/4"	3200035	K C 30X30 CR W	5 *	4	30
36" x 36"	36-1/4" x 36-1/4"	3200036	K C 36X36 CR W	5 *	5	36

*Cam latch centered at top and bottom panel; balance of cam locks on side opposite hinges.

Installation Detail - Section AA



RECESSED DOOR - DWR

FOR DRYWALL CEILINGS OR WALLS

Milcor DWR Access Doors provide critical access in dry-wall ceilings or walls while concealing installation in drywall where sound absorption or clean appearance is required. 5/8" recessed door is filled with matching material leaving only the narrow frame edges exposed.

Specifications

- **Material:** 16-gauge steel frame with drywall bead. 16-gauge steel door panel for installation of a drywall panel.
- **Finishes:** Available in Powder Coated White
- **Hinge:** Concealed pivot rod
- **Latch:** Screwdriver operated cam latch or Cylinder Lock furnished with two keys. Plastic grommet is furnished to protect the hole made in drywall for access to lock. Other custom options available upon request.



Door Size* (2nd Dim. Hinge Side)	Opening	Product No.	Description	No. Cams	Shipping Wt. Lbs.
12" x 12"	12½" x 12½"	3207014	DWR C 12x12 CR W	1	9
12" x 24"	12½" x 24½"	3207019	DWR C 12x24 CR W	2	15
18" x 18"	18½" x 18½"	3207024	DWR C 18x18 CR W	2	15
24" x 24"	24½" x 24½"	3207030	DWR C 24x24 CR W	2	14
24" x 36"	24½" x 36½"	3207034	DWR C 24x36 CR W	3	32
36" x 36"	36½" x 36½"	3207046	DWR C 36x36 CR W	5*	41
36" x 42"	36½" x 42½"	3207048	DWR C 36x42 CR W	5*	41

*One cam latch centered at top and bottom of panel; balance on side opposite hinges

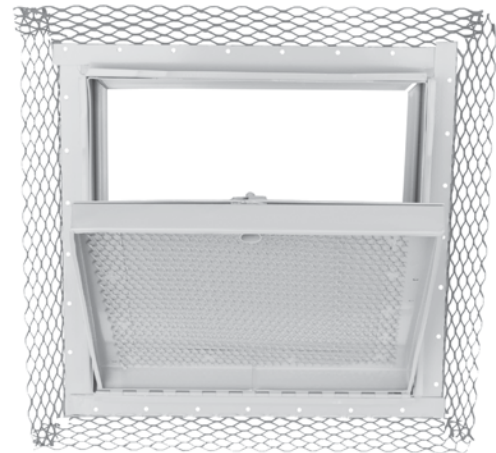
RECESSED DOOR - AP

FOR ACOUSTICAL PLASTER CEILINGS

Milcor AP Access Doors provide critical access in acoustical plaster ceilings while concealing installation in plaster ceilings where sound absorption or clean appearance is required, leaving only the narrow frame edges exposed.

Specifications

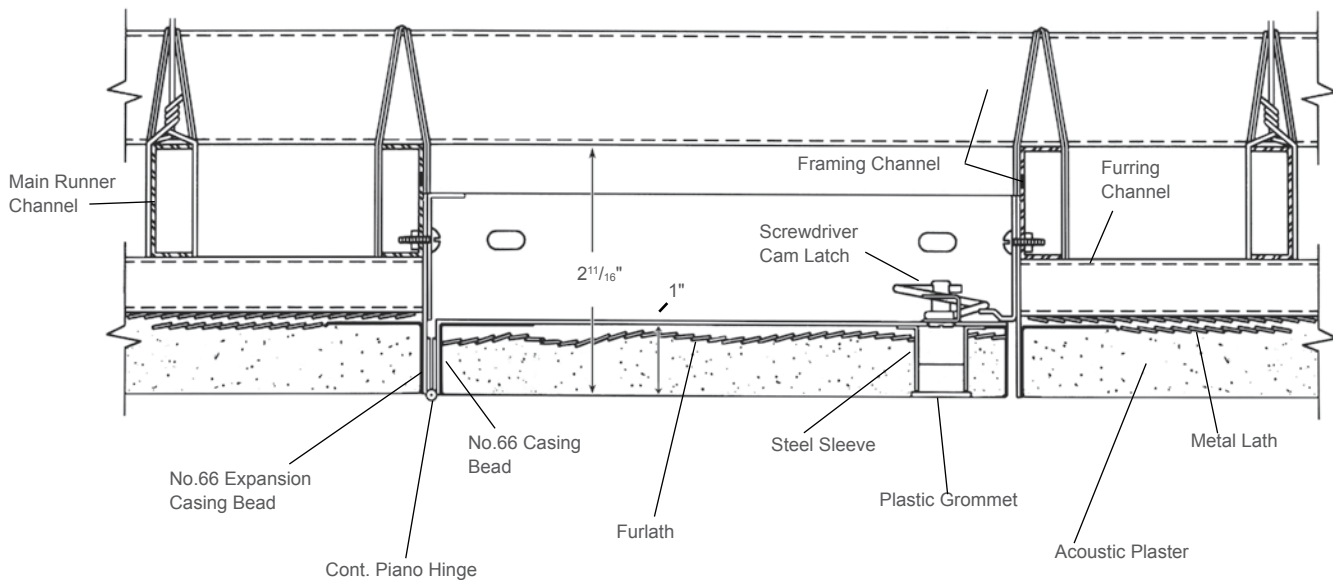
- **Material:** 16-gauge galvanized steel frame with plaster lathe. 18-gauge galvanized steel door panel with expanded metal casing bead.
- **Finishes:** Powder Coated White
- **Hinge:** Continuous Piano Hinge with stainless steel pin
- **Latch:** Screwdriver operated cam latch or Cylinder Lock furnished with two keys. Plastic grommet is furnished to protect the hole made in wallboard for access to lock. Other custom options available upon request.



Door Size*	Opening	Product No.	Description	No. Cams	Shipping Wt. Lbs.
12" x 12"	12¼" x 12¼"	3206014	AP C 12X12 CR W	1	9
12" x 24"	12¼" x 24¼"	3206019	AP C 12X24 CR W	2	15
18" x 18"	18¼" x 18¼"	3206024	AP C 18X18 CR W	2	15
24" x 24"	24¼" x 24¼"	3206030	AP C 24X24 CR W	2	14
24" x 36"	24¼" x 36¼"	3206034	AP C 24X36 CR W	3*	32
36" X 36"	36¼" X 36¼"	3206046	AP C 36X36 CR W	5*	41

*One cam latch centered at top and bottom of panel; balance on side opposite hinges

Installation Detail



RECESSED FIRE RESISTIVE ACOUSTICAL TILE - ATR

FOR SUSPENDED CEILINGS

Milcor ATR Access Doors for suspended drywall ceilings provide service access that fits within ceiling grid support system. 1 1/2" recessed door is filled with matching materials and finished flush with the surrounding ceiling surface leaving the installed unit virtually concealed.

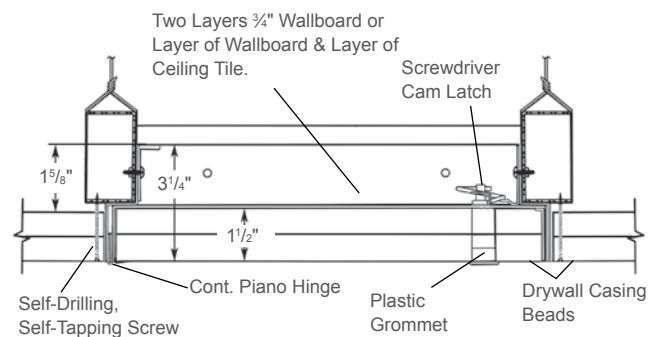
Specifications

- **Material:** 16-gauge steel frame with 18-gauge recessed steel door panel
- **Finishes:** Powder Coated White
- **Hinge:** Continuous Piano Hinge with stainless steel pin
- **Latch:** Screwdriver operated cam latch or Cylinder Lock furnished with two keys. Plastic grommet is furnished to protect the hole made in wallboard for access to lock. Other custom options available upon request.



Door Size*	Ceiling Opening	Product No.	Description	No. Cams	Shipping Wt. Lbs.
12" x 12"	10-1/2" x 10-1/2"	3204012	ATR C 12X12 CR W	1	8
12" x 24"	10-1/2" x 22-1/2"	3204014	ATR C 12X24 CR W	2	11
18" x 18"	16-1/2" x 16-1/2"	3204018	ATR C 18X18 CR W	2	14
24" X 24"	22-1/2" X 22-1/2"	3204024	ATR C 24X24 CR W	2	20
24" X 36"	22-1/2" X 34-1/2"	3204036	ATR C 24X36 CR W	3	28

Channel Suspension Installation Detail



RECESSED ACOUSTICAL TILE - AT

FOR SUSPENDED CEILINGS

Milcor AT Access Doors for acoustical tile ceilings provide a virtually concealed installation. 1" Recessed door panels receive a covering of acoustical tile, leaving only the narrow frame edges exposed to keep acoustical surfaces intact and contribute to sound control and appearance.

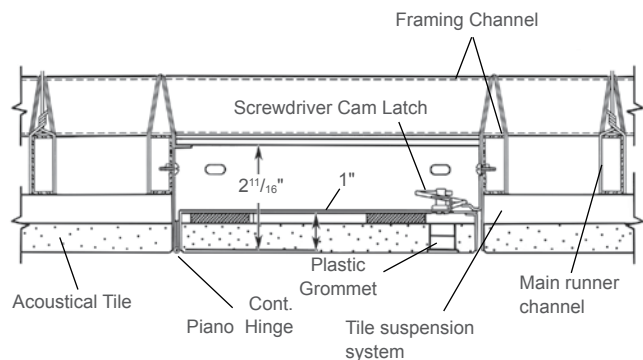
Specifications

- **Material:** 16-gauge steel frame with 18-gauge steel door panel
- **Finishes:** Powder Coated White
- **Hinge:** Continuous Piano Hinge with stainless steel pin
- **Latch:** Screwdriver operated cam latch or Cylinder Lock furnished with two keys. Plastic grommet is furnished to protect the hole made in wallboard for access to lock. Other custom options available upon request.



Door Size*	Ceiling Opening	Product No.	Description	No. Cams	Shipping Wt. Lbs.
12" x 12"	12¼" x 12¼"	3205014	AT C 12X12 CR W	1	7
12" x 24"	12¼" x 24¼"	3205019	AT C 12X24 CR W	2	12
18" x 18"	18¼" x 18¼"	3205024	AT C 18X18 CR W	2	11
24" x 24"	24¼" x 24¼"	3205030	AT C 24X24 CR W	2	19
24" x 36"	24¼" x 36¼"	3205034	AT C 24X36 CR W	3	26
36" X 36"	36-1/4" X 36-1/4"	3205046	AT C 36X36 CR W	5	37

Installation Detail



UNIVERSAL FIRE-RATED ACCESS DOORS - UFR

FOR WALLS AND CEILINGS

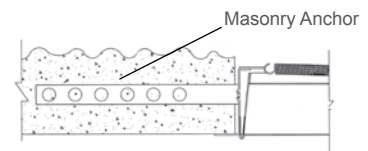
The Milcor Universal Fire-Rated Door may be specified with confidence for service access in drywall, masonry or tile walls or ceilings where fire ratings are stipulated by code requirements.

Specifications

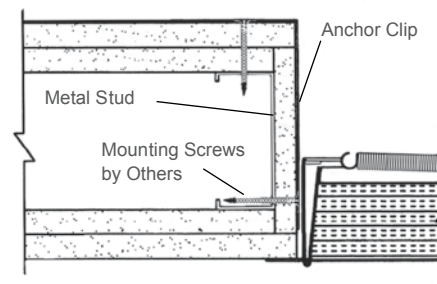
- **Fire Rated:** Carries both UL and CUL 1 ½ hour, Class B fire rating, as well as the Warnock Hersey Label for three-hour noncombustible floor/ceiling systems.
- **Certified:** 250 degree temperature rise protection
- **Material:** 16-gauge frame with 20-gauge sandwich-type insulated door panel
- **Insulation:** 2" mineral fiber
- **Finishes:** Powder Coated Gray or Stainless Steel
- **Hinge:** Continuous Piano Hinge with stainless steel pin
- **Latch:** Self-latching paddle latch and locking system with key operated cylinder lock furnished with two keys and interior release mechanism. Other custom options available upon request.
- **Optional Colors:** Gray, Gold Sand and Jet Black



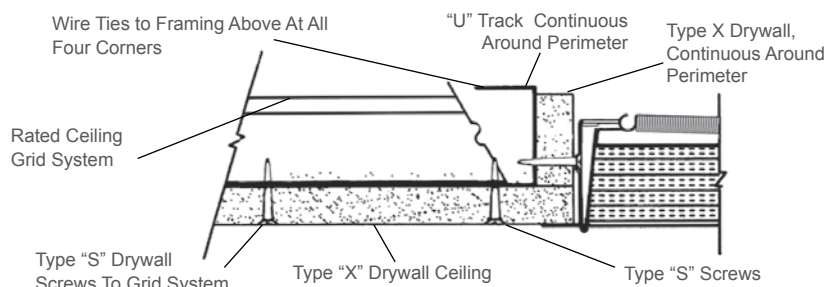
Masonry Wall Installation Details



Drywall Installation Details



Ceiling Installation Details



Door Size**	Opening	Product No.	Description	No. Cams	Masonry Anchors	Shipping Wt. Lbs.
8" x 8" * †	8½" x 8½"	3218010	UFR P 8X8 CR W	1	4	8
12" x 12"	12½" x 12½"	3218012	UFR P 12X12 CR W	1	4	10
12" x 24"	12½" x 24½"	3218020	UFR P 12x24 CR W	1	4	20
14" x 14"	14½" x 14½"	3218014	UFR P 14X14 CR W	1	4	16
16" x 16"	16½" x 16½"	3218016	UFR P 16X16 CR W	1	4	13
18" x 18"	18½" x 18½"	3218018	UFR P 18x18 CR W	1	4	17
22" x 30"	22½" x 30½"	3218022	UFR P 22x30 CR W	1	4	38
22" x 36"	22½" x 36½"	3218027	UFR P 22x36 CR W	1	4	43
24" x 24"	24½" x 24½"	3218024	UFR P 24x24 CR W	1	4	27
24" x 30"	24½" x 30½"	3218023	UFR P 24x30 CR W	1	4	41
24" x 36"	24½" x 36½"	3218028	UFR P 24x36 CR W	1	4	44
24" x 48" *	24½" x 48½"	3218031	UFR P 24x48 CR W	2	6	54
30" x 30" *	30½" x 30½"	3218030	UFR P 30x30 CR W	1	4	45
32" x 32" *	32½" x 32½"	3218032	UFR P 32x32 CR W	1	4	48
36" x 36" *	36½" x 36½"	3218036	UFR P 36x36 CR W	1	4	51
36" x 48" *	36½" x 48½"	3218038	UFR P 36x48 CR W	2	6	76
48" x 48" *	48½" x 48½"	3218048	UFR P 48x48 CR W	2	8	95

†Not available with Mortise cylinder

*Wall rating only

Note: Stainless steel not available with Mortise cylinder

NON-INSULATED FIRE-RATED DOORS - NIFR

FOR WALLS ONLY

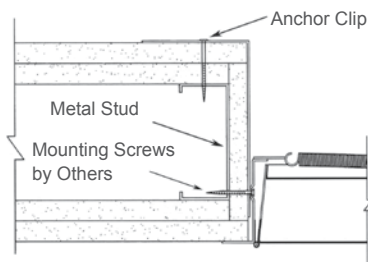
The Milcor Non-Insulated Fire-Rated Door may be specified with confidence for service access in drywall, masonry or tile walls where fire ratings are stipulated by code requirements.

Specifications

- **Fire Rated:** Carries both UL and CUL 1 ½ hour, Class B fire rating. Rating is maintained for a 2-hour wall, in stalled where temperature rise is not a factor. This door is designed for wall application only.
- **Material:** 16-gauge frame with 20-gauge door panel
- **Finishes:** Powder Coated White or Stainless Steel
- **Hinge:** Continuous Piano Hinge with stainless steel pin
- **Latch:** Self-latching paddle latch and locking system with key operated cylinder lock furnished with two keys and interior release mechanism. Other custom options available upon request.
- **Optional Colors:** Gray, Gold Sand and Jet Black



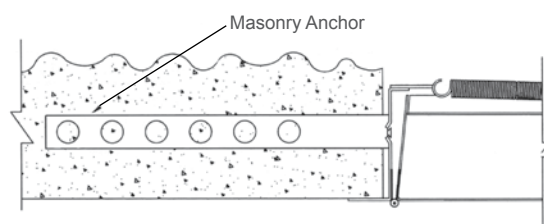
Drywall Installation Details



Door Size	Opening	Product No.	Description	No. Cams	Masonry Anchors	Shipping Wt. Lbs.
8" x 8"	8½" x 8½"	3219008	NIFR P 8X8 CR W	1	4	7
12" x 12"	12½" x 12½"	3219012	NIFR P 12X12 CR W	1	4	11
14" x 14"	14½" x 14½"	3219014	NIFR P 14X14 CR W	1	4	13
16" x 16"	16½" x 16½"	3219016	NIFR P 16X16 CR W	1	4	15
18" x 18"	18½" x 18½"	3219018	NIFR P 18X18 CR W	1	4	18
24" x 24"	24½" x 24½"	3219024	NIFR P 24X24 CR W	1	4	28
22" x 30"	22½" x 30½"	3219023	NIFR P 22X30 CR W	1	4	29
22" x 36"	22½" x 36½"	3219027	NIFR P 22X36 CR W	1	4	35

Note: Stainless steel not available with Mortise cylinder

Masonry Wall Installation Details



FIRE RATED ACCESS DOOR - UFR DW

FOR WALLS AND CEILINGS

The Milcor Sandwich-type Fire-Rated Door may be specified with confidence for service access in drywall walls or ceilings where fire ratings are stipulated by code requirements. Door style is flush with provision to conceal flange with drywall cement.

Specifications

- **Fire Rated:** Carries both UL and CUL 1 ½ hour, Class B fire rating, as well as the Warnock Hersey Label for three-hour noncombustible floor/ceiling systems.
- **Certified:** 250 degree temperature rise protection
- **Material:** 16-gauge steel frame surrounded by a galvanized steel drywall bead. 20-gauge door panel
- **Insulation:** 2" mineral fiber
- **Finishes:** Powder Coated White or Stainless Steel
- **Hinge:** Continuous Piano Hinge with stainless steel pin
- **Latch:** Self-latching paddle latch and locking system with key operated cylinder lock furnished with two keys and interior release mechanism. Other custom options available upon request.
- **Optional Colors:** Gray, Gold Sand and Jet Black



Door Size**	Opening	Product No.	Description	No. Cams	Masonry Anchors	Shipping Wt. Lbs.
8" x 8" * †	8½" x 8½"	3217010	UFR DW P 8X8 CR W	1	4	8
12" x 12"	12½" x 12½"	3217012	UFR DW P 12X12 CR W	1	4	12
12" x 24"	12½" x 24½"	3217020	UFR-DW P 12X24 CR W	1	4	19
14" x 14"	14½" x 14½"	3217014	UFR DW P 14X14 CR W	1	4	15
16" x 16"	16½" x 16½"	3217016	UFR DW P 16X16 CR W	1	4	17
18" x 18"	18½" x 18½"	3217018	UFR DW P 18X18 CR W	1	4	21
22" x 30"	22½" x 30½"	3217022	UFR DW P 22X30 CR W	1	4	35
22" x 36"	22½" x 36½"	3217027	UFR DW P 22X36 CR W	1	4	40
24" x 24"	24½" x 24½"	3217024	UFR DW P 24X24 CR W	1	4	32
24" x 30"	24½" x 30½"	3217023	UFR DW P 24X30 CR W	1	4	38
24" x 36"	24½" x 36½"	3217028	UFR DW P 24X36 CR W	1	4	42
24" x 48" *	24½" x 48½"	3217031	UFR DW P 24X48 CR W	2	6	50
30" x 30" *	30½" x 30½"	3217030	UFR DW P 30X30 CR W	1	4	42
32" x 32" *	32½" x 32½"	3217032	UFR DW P 32X32 CR W	1	4	45
36" x 36" *	36½" x 36½"	3217036	UFR DW P 36X36 CR W	1	4	47
36" x 48" *	36½" x 48½"	3217038	UFR DW P 36X48 CR W	2	6	70
48" x 48" *	48½" x 48½"	3217048	UFR DW P 48X48 CR W	2	8	88

†Not available with Mortise cylinder

*Wall rating only

Note: Stainless steel not available with Mortise cylinder

FLUSH ALUMINUM DOOR - CF

FOR SUSPENDED CEILINGS

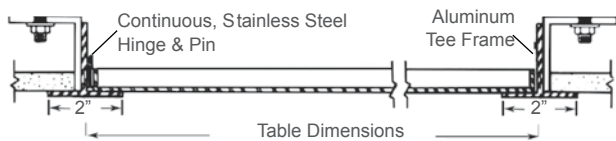
Milcor CF Flush style aluminum ceiling access doors provide convenient access to services or controls in ceilings. Units are installed by bolting the hanger brackets to hanger rods furnished and installed by the contractor. Upward Swing and Downward Swing options available.

Specifications

- **Material:** 1/4" extruded aluminum frame and 1/8" aluminum plate door panel
- **Finishes:** Mill Finish Aluminum
- **Hinge:** Stainless Steel Continuous Hinge
- **Latch:** For downward swing model only, covers have an automatic snap latch with removable outside handle.



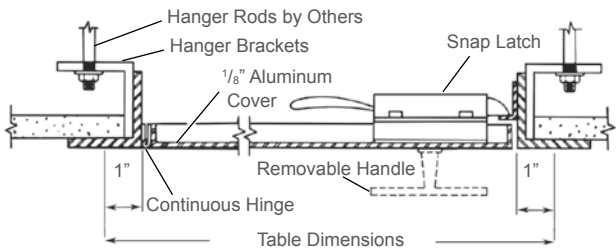
Upward Swing Installation Details



Upward Swing

Leaf Type	Style	Dimensions (Center-to-center of angles or tees)	Product No.	Description	Shipping Wt. Lbs.
Single	CF-1 US	2'6" x 2'6"	3520201	CF US 30X30 A M	35
Single	CF-2 US	2'6" x 3'0"	3520204	CF US 30x36 A M	40
Double	CF-3 US	2'6" x 2'6"	3520207	CF US 30X30 A M DL	45

Downward Swing Installation Details



Downward Swing

Leaf Type	Style	Dimensions (Center-to-center of angles or tees)	Product No.	Description	Shipping Wt. Lbs.
Single	CF-1 DS	2'6" x 2'6"	3520417	CF DS 30X30 A M	35
Single	CF-2 DS	2'6" x 3'0"	3520420	CF DS 30X36 A M	40
Double	CF-3 DS	2'6" x 2'6"	3520425	CF DS 30X30 A M DL	45

RECESSED ALUMINUM DOOR - CT

FOR SUSPENDED CEILINGS

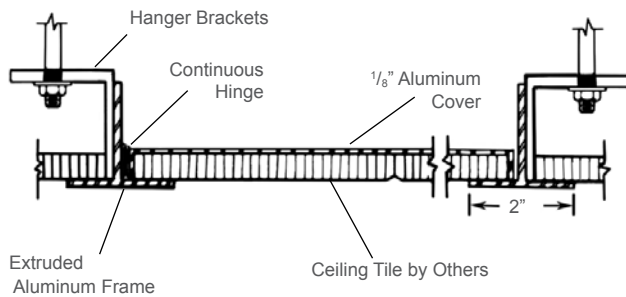
Milcor CT recessed aluminum ceiling access doors, designed for uses in suspended tile ceilings, provide convenient access to services or controls located in ceilings. Units are installed by bolting the hanger brackets to hanger rods furnished and installed by the contractor. The cover is recessed to accept 3/4" ceiling tile, with the frame flange serving as a support ledge for the tile.

Specifications

- **Material:** 1/4" extruded aluminum frame and 1/8" aluminum plate door panel
- **Finishes:** Mill Finish Aluminum
- **Hinge:** Stainless Steel Continuous Hinge
- **Latch:** For downward swing model only, covers have an automatic snap latch with removable outside handle.



Installation Details



Upward Swing

Leaf Type	Style	Dimensions (Center-to-center of angles or tees)	Product No.	Description	Shipping Wt. Lbs.
Single	CT-1 US	2'6" x 2'6"	3520101	CT US 30x30 A M	35
Single	CT-2 US	2'6" x 3'0"	3520104	CT US 30x36 A M	40
Double	CT-3 US	2'6" x 2'6"	3520107	CT US 30x30 A M DL	45

Downward Swing

Leaf Type	Style	Dimensions (Center-to-center of angles or tees)	Product No.	Description	Shipping Wt. Lbs.
Single	CT-1 DS	2'6" x 2'6"	3520317	CT DS 30x30 A M	35
Single	CT-2 DS	2'6" x 3'0"	3520320	CT DS 30x36 A M	40
Double	CT-3 DS	2'6" x 2'6"	3520325	CT DS 30x30 A M DL	45

SECURITY OR DETENTION DOORS

FOR WALLS OR CEILINGS

Milcor Security or Detention access doors provide critical secure service access in wall and ceiling applications. Special stainless steel hinge prevents removal of hinge.

Specifications

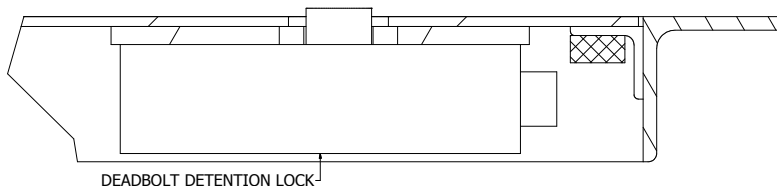
- **Material:** 3/16" x 2" x 2" frame angle, welded with joints ground smooth. 10-gauge steel door panel
- **Finishes:** Prime Painted Steel
- **Hinge:** Heavy duty stainless steel, welded to door and frame
- **Latch:** Detention-type deadbolt lock and/or tamper-resistant screws



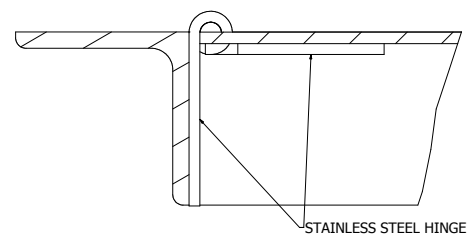
Size	Outside Frame Dim.	Wall Opening	No. of Masonry Anchors	No. of Hinges	With Detention Lock*			With Tamper-Resistant Screws**		
					Product No.	Description	Shipping Wt. Lbs.	Product No.	Description	Shipping Wt. Lbs.
12" x 12"	16" x 16"	12¾" x 12¾"	4	2	3211114	SEC D 12X12 CR W	30	3211214	SEC T 12X12 CR W	26
12" x 24"	16" x 28"	12¾" x 24¾"	4	2	3211119	SEC D 12X24 CR W	42	3211219	SEC T 12X24 CR W	38
16" x 16"	20" x 20"	16¾" x 16¾"	4	2	3211120	SEC D 16X16 CR W	39	3211220	SEC T 16X16 CR W	35
18" x 18"	22" x 22"	18¾" x 18¾"	4	2	3211124	SEC D 18X18 CR W	44	3211224	SEC T 18X18 CR W	40
18" x 24"	22" x 28"	18¾" x 24¾"	4	2	3211125	SEC D 18X24 CR W	52	3211225	SEC T 18X24 CR W	48
24" x 24"	28" x 28"	24¾" x 24¾"	4	2	3211130	SEC D 24X24 CR W	61	3211230	SEC T 24X24 CR W	57
24" x 30"	28" x 34"	24¾" x 30¾"	4	2	3211132	SEC D 24X30 CR W	70	3211232	SEC T 24X30 CR W	66
24" x 36"	28" x 40"	24¾" x 36¾"	8	2	3211134	SEC D 24X36 CR W	79	3211234	SEC T 24X36 CR W	75
24" x 48"	28" x 52"	24¾" x 48¾"	8	3	3211135	SEC D 24X48 CR W	97	3211235	SEC T 24X48 CR W	93
30" x 30"	34" x 34"	30¾" x 30¾"	4	2	3211138	SEC D 30X30 CR W	80	3211238	SEC T 30X30 CR W	76
36" x 36"	40" x 40"	36¾" x 36¾"	8	2	3211146	SEC D 36X36 CR W	102	3211246	SEC T 36X36 CR W	98
36" x 48"	40" x 52"	36¾" x 48¾"	8	3	3211150	SEC D 36X48 CR W	127	3211250	SEC T 36X48 CR W	123

Note: Keys for detention locks and tamper resistant torx driver are sold separately

Detention Lock Details



Hinge Details



VALVE BOX

Milcor Versatile Valve Boxes provide critical service access to valves in drywall, masonry or tile walls and offer superior resistance to corrosion. The fully enclosed box keeps valves clean and clear from excess materials within the wall cavity.

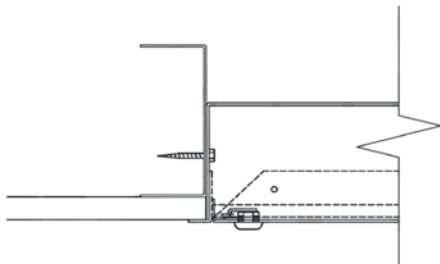
Specifications

- *Material:* 16-gauge Steel
- *Finishes:* Powder Coated White or Stainless Steel
- *Hinge:* Continuous Piano Hinge with a stainless steel pin
- *Latch:* Cylinder Lock with two keys furnished.
Other custom options available upon request.
- *Optional Colors:* Gray, Gold Sand and Jet Black

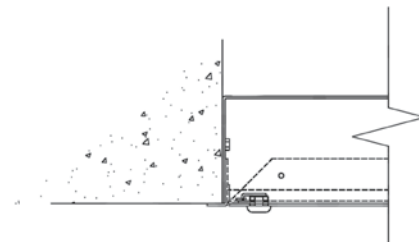


Door Size	Opening	Depth	Product No. Steel	Description	Product No. Stainless	Description	No. Cylinder Locks	Shipping Wt. Each (lbs)
8"x8"	8 $\frac{1}{2}$ " x 8 $\frac{1}{2}$ "	4"	36010084	VALVE K 8X8X4 CR W	36020084	VALVE K 8X8X4 S W	1	11
	8 $\frac{1}{2}$ " x 8 $\frac{1}{2}$ "	6"	36010086	VALVE K 8X8X6 CR W	36020086	VALVE K 8X8X6 S W	1	13
	8 $\frac{1}{2}$ " x 8 $\frac{1}{2}$ "	8"	36010088	VALVE K 8X8X8 CR W	36020088	VALVE K 8X8X8 S W	1	15
12"x12"	12 $\frac{1}{2}$ " x 12 $\frac{1}{2}$ "	4"	36010124	VALVE K 12X12X4 CR W	36020124	VALVE K 12X12X4 S W	1	14
	12 $\frac{1}{2}$ " x 12 $\frac{1}{2}$ "	6"	36010126	VALVE K 12X12X6 CR W	36020126	VALVE K 12X12X6 S W	1	16
	12 $\frac{1}{2}$ " x 12 $\frac{1}{2}$ "	8"	36010128	VALVE K 12X12X8 CR W	36020128	VALVE K 12X12X8 S W	1	18
14"x14"	14 $\frac{1}{2}$ " x 14 $\frac{1}{2}$ "	4"	36010144	VALVE K 14X14X4 CR W	36020144	VALVE K 14X14X4 S W	1	20
	14 $\frac{1}{2}$ " x 14 $\frac{1}{2}$ "	6"	36010146	VALVE K 14X14X6 CR W	36020146	VALVE K 14X14X6 S W	1	23
	14 $\frac{1}{2}$ " x 14 $\frac{1}{2}$ "	8"	36010148	VALVE K 14X14X8 CR W	36020148	VALVE K 14X14X8 S W	1	27
16"x16"	16 $\frac{1}{2}$ " x 16 $\frac{1}{2}$ "	4"	36010164	VALVE K 16X16X4 CR W	36020164	VALVE K 16X16X4 S W	1	23
	16 $\frac{1}{2}$ " x 16 $\frac{1}{2}$ "	6"	36010166	VALVE K 16X16X6 CR W	36020166	VALVE K 16X16X6 S W	1	26
	16 $\frac{1}{2}$ " x 16 $\frac{1}{2}$ "	8"	36010168	VALVE K 16X16X8 CR W	36020168	VALVE K 16X16X8 S W	1	30

Drywall Installation Detail



Masonry or Tile Wall Installation Detail



ECONOMICAL FLUSH DOOR - E

FOR DRYWALL, MASONRY OR TILE WALLS

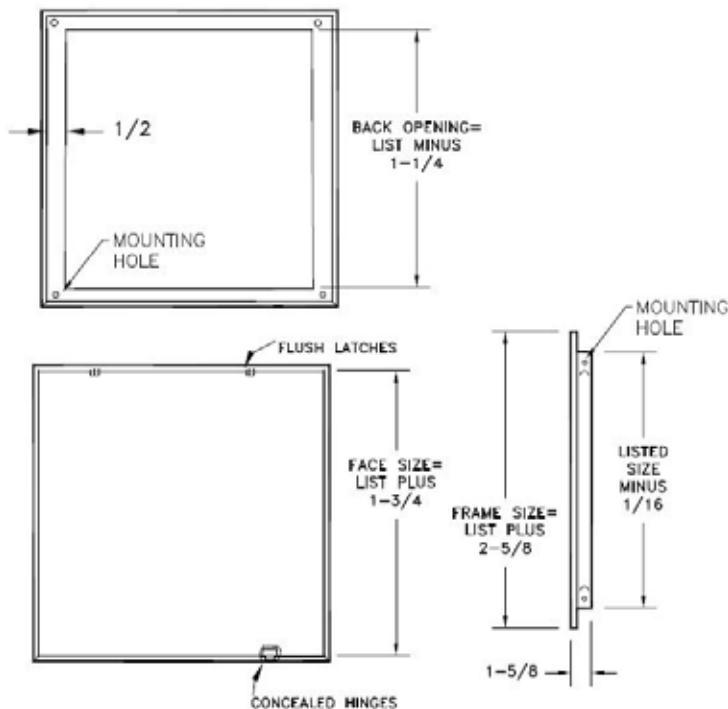
Milcor E Access Doors provide critical service access in drywall, masonry or tile walls or ceilings

Specifications

- **Material:** 24-gauge steel frame and 22-gauge removable door panel
- **Finishes:** Bright White Enamel
- **Hinge:** Concealed hinge
- **Latch:** Concealed Latches



Size	Product No.	Description	No. Cams	Shipping Wt. Lbs.
6" x 6"	3213006	E L 6X6 CR W	1	1.5
8" x 8"	3213008	E L 8X8 CR W	2	2
10" x 10"	3213010	E L 10X10 CR W	2	3
12" x 12"	3213012	E L 12X12 CR W	2	3.5
14" x 14"	3213014	E L 14X14 CR W	2	4
16" x 16"	3213016	E L 16X16 CR W	2	5
18" x 18"	3213018	E L 18X18 CR W	2	6
24" x 24"	3213024	E L 24X24 CR W	2	9.5



CUSTOMIZED DOORS

FOR SPECIAL

Milcor access doors can be customized if the standard doors do not adequately fit your parameters. Sometimes a simple sizing change is all that is needed, but many applications require a unique design to solve special access needs.

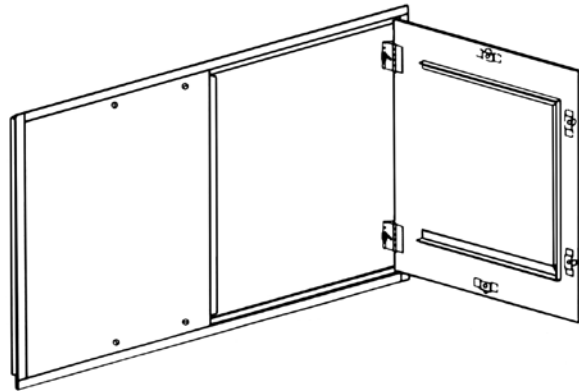
Whenever you have a special condition to meet, Milcor engineers will be pleased to review your requirements and work with you on the design and manufacture, in any quantity, of your access door.

Not only can we furnish custom-modified access doors to accommodate non-standard dimensional requirements and special features, we can also develop doors with unique shapes, finishes, load capabilities or performance standards.

Two examples of custom doors Milcor has produced are shown to the right.

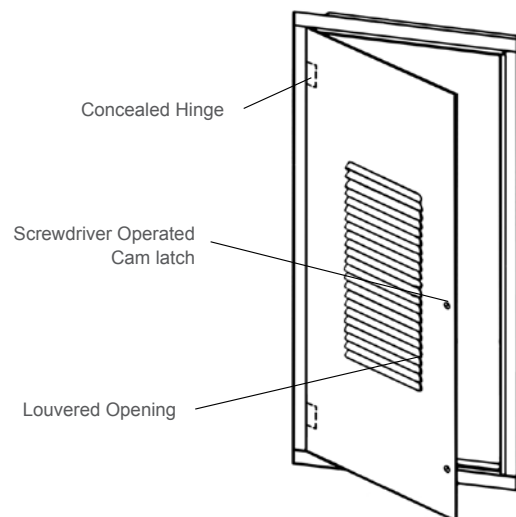
Double- Leaf

Double-leaf access door provides an extra-wide opening.



Louvered

Milcor M access door with louver does double duty as an air intake and access to heating/air conditioning unit.



LATCH OPTIONS



Cylinder Lock



Cylinder Lock for Recessed Door



Knurled Knob Cam Latch



Mortise Cylinder Lock with Core
(also available with dummy core)



Allen Head Cam Latch



Screwdriver Cam Latch



Paddle Latch with Cylinder Lock



- Contact your customer service representative or territory sales manager for pricing and availability.
- Free freight when your total spend is a minimum of \$2600.*

Thousands of HVAC products ready to ship.



Commercial Vent & Chimney



Vent:

Standard efficiency b-vent, high efficiency polypropylene, special gas vent for condensing, near-condensing, and non-condensing vent systems. Stock residential diameters and system components available in 3" – 14". Additional sizes available up to 30". Direct vent systems also available. Premium quality materials and designs backed by UL standards.

Chimney:

All fuel chimney systems for venting wood, coal, oil, or gas. Available in residential diameters 4" – 8". Additional sizes available up to 24". Pellet venting systems for gas, wood pellet, and bio-fuels. Stainless steel inner and outer materials. Variety of installer friendly components backed by UL standards.

Chimney Liner:

Aluminum and stainless steel. Lengths available up to 50'. Standard diameters available up to 8". Variety of installer friendly components backed by UL standards.



Grilles, Registers, & Diffusers

A full line for residential and commercial applications. Offered in steel, aluminum and plastic. Many sizes in stock for quick shipment.



Flexible Air Duct

Flexible air duct systems UL Greenguard Gold certified for residential and commercial applications. Complete line of R-4.2, R-6.0, and R-8.0 available in many outer jacket and core combinations from 3" - 24" diameters and 25' - 50' lengths. Flexible aluminum, duct, duct sleeves and uninsulated flex duct also available.



Interior Access Doors

Access Doors – High quality and affordable interior access doors for all types of requirements. In stock or custom.



Roof Top Products

New construction and retrofit drain systems, flashings, expansion joint covers, equipment rails and curbs, duct supports and pipe mounting pedestals. In stock, or made to order.



Duct Components

Components and accessories for the residential and commercial HVAC and sheet metal industries including flange, rail, corners, hangers & strapping, and duct access doors.



Filters

A complete line of Multi-Pleat or Commercial & Industrial Disposable panel filters, available in fiberglass and polyester.

*Some restrictions may apply.

MILCOR®

Hart & Cooley, Inc.

5030 Corporate Exchange Blvd. SE
Grand Rapids, MI 49512

P (800) 624-8642

F (855) 549-2674



milcorinc.com



Additional Products Sold:

GRILLES | REGISTERS | DIFFUSERS | FLEXIBLE AIR DUCT | VAV BOXES | VENT | CHIMNEY
ACCESS DOORS | FILTERS | DUCT COMPONENTS | EXHAUST DUCTS | ROOF TOP PRODUCTS