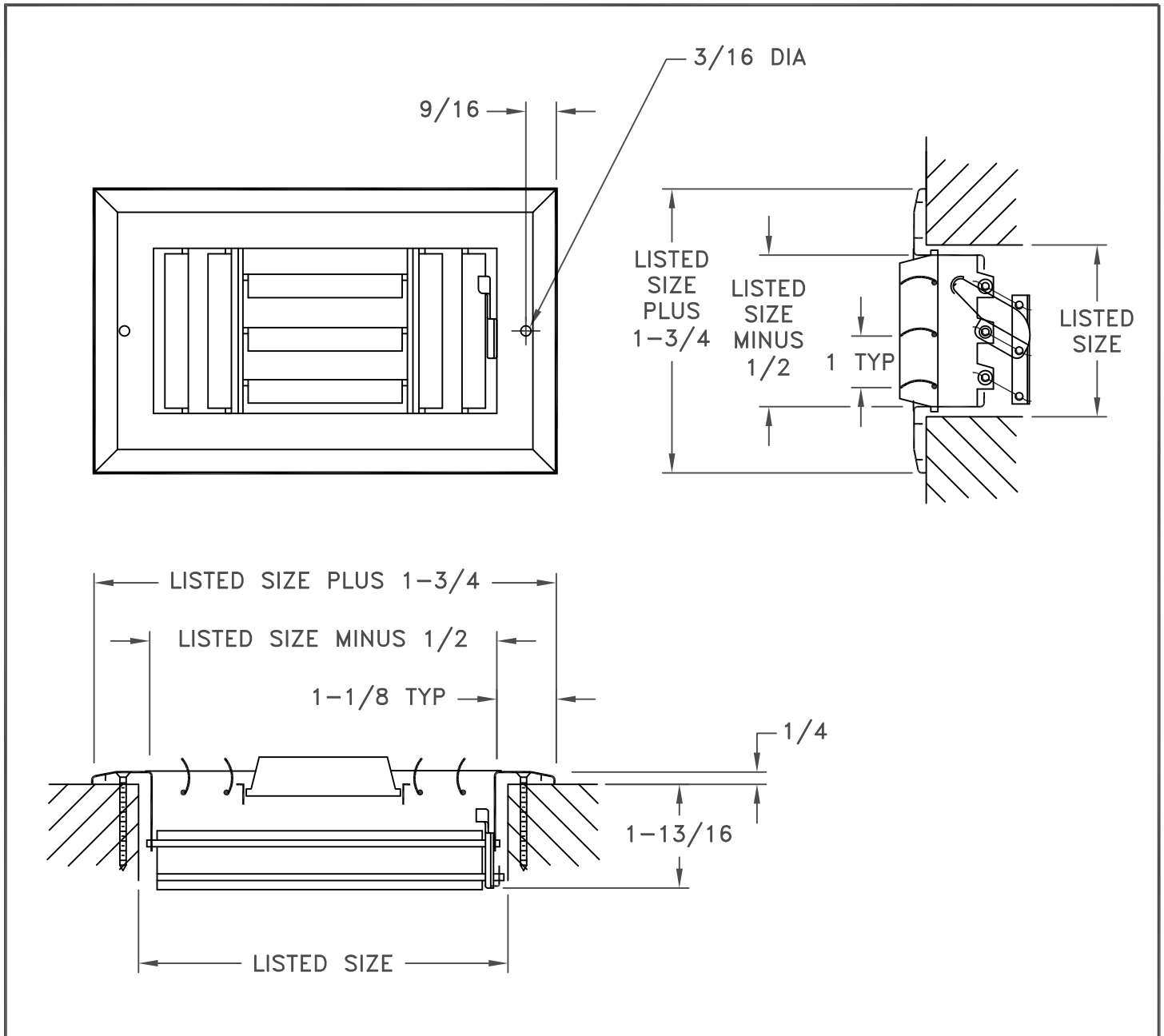


# MODEL AL 273 ML

## ALUMINUM CURVED BLADE REGISTER

STANDARD INDUSTRY TOLERANCES APPLY. SPECIFICATIONS SUBJECT TO CHANGE WITHOUT NOTICE.



Model AL 273 aluminum register is available with individually adjustable curved blades for increased deflection control. Model AL 273 three-way deflection pattern is designed for sidewall or ceiling application. The stamped face of Model AL 273 eliminates mitered corners and potential rough edges. Multi-louver damper assembly included. Aluminum construction. Standard finish is white.

PROJECT: \_\_\_\_\_

ARCHITECT: \_\_\_\_\_

ENGINEER: \_\_\_\_\_

CONTRACTOR: \_\_\_\_\_

LOCATION: \_\_\_\_\_

