

Instructions for Hard Hats Instrucciones para cascos de seguridad Instructions pour les casques de chantier



FIG. A

WARNING! BEFORE USE: READ ALL INSTRUCTIONS OR RISK SERIOUS INJURY OR DEATH. DO NOT REMOVE LABEL.

- This protective headwear is designed to absorb some of the energy of a blow through partial destruction of its component parts and, even though damage may not be readily apparent, any protective headwear subjected to severe impact should be replaced.
- This protective headwear must not be painted or cleaned with solvents. Any decals applied to the protective headwear must be compatible with the surface material and known not to affect adversely the characteristics of the materials used in the protective headwear.
- Any addition or structural modification may reduce the protective properties afforded by this protective headwear.

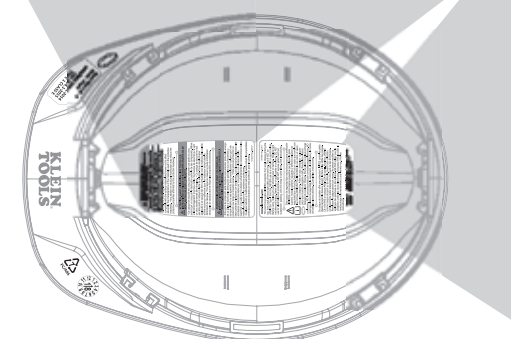
ATTENTION. AVANT UTILISATION: LIRE TOUTES LES INSTRUCTIONS OU RISQUE DE BLESSURES GRAVES OU DE MORT. NE PAS ENLEVER L'ÉTIQUETTE.

- Ce casque de sécurité est conçu pour absorber une partie du choc produit par un coup par la destruction partielle de ses composants. Même si l'endommagement n'est pas visible, tout casque de sécurité qui a subi un choc sévère devrait être remplacé.
- Ce casque de sécurité ne doit pas être peint ni nettoyé à l'aide de solvants. Toute décalcomanie appliquée à ce casque doit être compatible avec le matériau de la calotte et être reconnue inoffensive pour les matériaux entrant dans la fabrication du casque.
- Tout ajout au casque ou toute modification structurale du casque peut en réduire les propriétés de protection.

ADVERTENCIA! ANTES DE USAR: LEA TODAS LAS INSTRUCCIONES O PELIGRO DE LESIONES GRAVES O LA MUERTE. NO quite LA ETIQUETA.

- Esta gorra de protección está diseñada para absorber parte de la energía de un golpe a través de la destrucción parcial de sus componentes y, aunque el daño no sea aparente, debe reemplazarse cualquier gorro de protección que tenga un impacto severo.
- Esta gorra de protección no debe pintarse ni limpiarse con disolventes. Las calcomanías aplicadas a los sombreros protectores deben ser compatibles con el material de la superficie y se sabe que no afectan adversamente las características de los materiales utilizados en los sombreros protectores.
- Cualquier adición o modificación estructural puede reducir las propiedades protectoras proporcionadas por esta protección para la cabeza.

1370537 Rev. 08/19 F



NOTE: This label is representative; contents will vary based on model #.
NOTA: esta etiqueta es representativa; los contenidos variarán según el n.º del modelo #.
REMARQUE: Cette étiquette est fournie à titre indicatif; son contenu varie en fonction du modèle #.

FIG. C

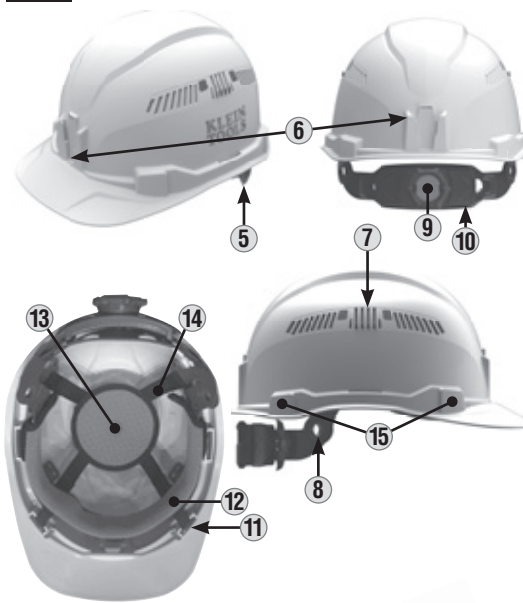


FIG. D

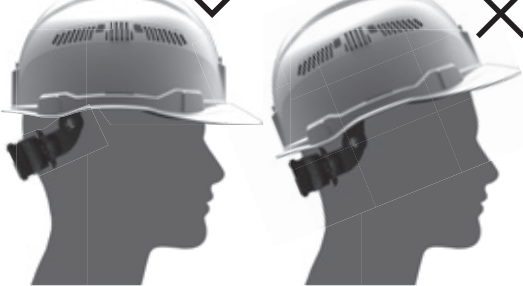


FIG. E

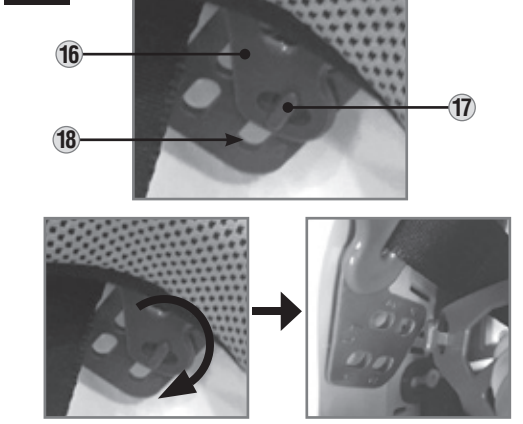


FIG. F

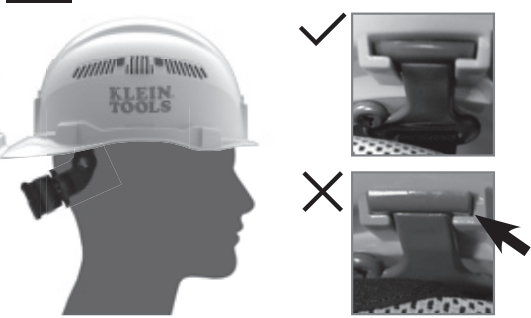


FIG. G

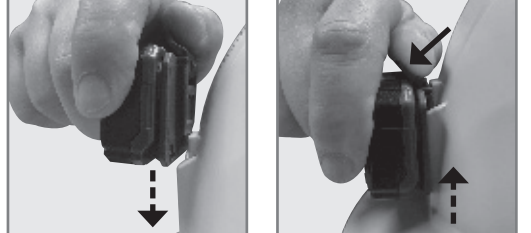
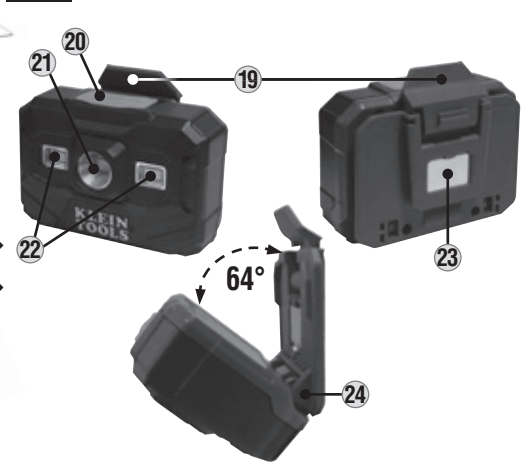
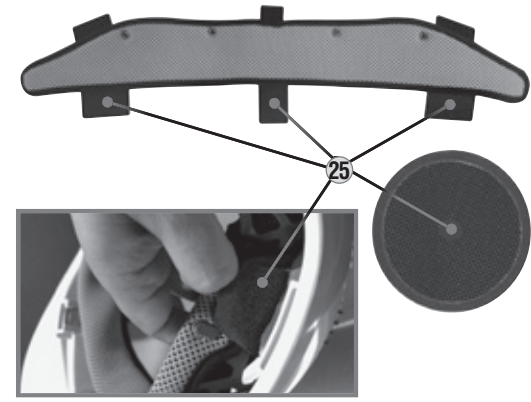


FIG. H



www.kleintools.com 1370496 Rev. 2/20 F

This hard hat provides LIMITED protection from small objects striking the top, front, back, left and right sides of the hard hat. This is NOT an ANSI/CSA Type II hard hat. NEVER use as a vehicular or sports helmet. Before using, replace any part showing wear or damage. Replace hard hat after any impact. Never alter or apply paints or solvents. DO NOT use for electrical shock protection. DO NOT expose safety hard hat, suspension, padding, and chin strap to open flame. (See Instructions).

Este casco de seguridad tipo cachucha proporciona protección LIMITADA contra objetos pequeños que golpean la parte superior, frontal, posterior, izquierda y derecha del casco de seguridad tipo cachucha. Este NO es un casco que cumple con las normas ANSI/CSA Tipo II. NUNCA lo use como un casco vehicular o deportivo. Antes de usar, reemplace cualquier pieza que muestre desgaste o daño. Reemplace el casco después de cualquier impacto. Nunca altere ni aplique pinturas o solventes. NO lo use para protección contradescargas eléctricas. NO exponga el casco de seguridad, la suspensión, el acolchado y la correa de barbilla a llamas abiertas. (Consulte las instrucciones).

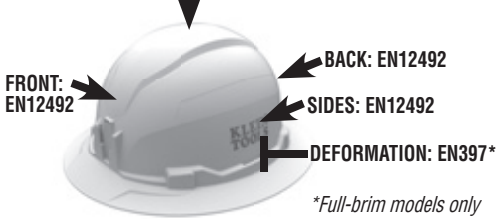
Ce casque de chantier offre une protection LIMITÉE contre les petits objets percutant le dessus, l'avant, l'arrière et les côtés du casque. Ce n'est PAS un casque ANSI/CSA de type II. N'utilisez JAMAIS comme casque de sport ou de véhicule. Avant toute utilisation, remplacez toute pièce présentant une usure ou des dommages. Remplacez le casque après tout impact. Ne jamais modifier ou appliquer des peintures ou des solvants. NE PAS utiliser pour la protection contre les chocs électriques. N'exposez PAS la coiffe, le rembourrage et la mentonnière à une flamme nue. (Voir les instructions).

Model # HEAD SIZE 6 1/2 - 8 (52cm - 64cm)
ANSISEA Z89.1-2014, Type 1, Class C
CSA Z94.1-2015, Type 1, Class C

GENERAL SPECIFICATIONS

- **Standards:** These Klein Tools Hard Hats comply with Type I ANSI/ISEA Z89.1-2014, CSA Z94.1-15:
- Class E non-vented Hard hats have been tested up to 20KV.
- EN397:2012+A1:2012 (Clauses listed only):
- 5.2.4-Lateral Deformation (LD)
- EN12492:2012 (Listed clauses only):
- 4.2.1.2-Front Energy Absorption Capacity
- 4.2.1.3-Side Energy Absorption Capacity
- 4.2.1.4-Rear Energy Absorption Capacity

TOP: Z89.1/Z94.1



*Full-brim models only

- **Fits:** Head Sizes 6-1/2 to 8 (20-1/2 to 25 inches / 52 to 64 cm)

SYMBOLS ON PRODUCT (FIG. A)

- 1 Reverse donning logo
- 2 Compliant Standards, Class, Type, and Head Size information
- 3 Recycling Code and material type
- 4 Date of manufacture

WARNING LABELS (FIG. B)

There are two warning labels affixed to the inside of this hard hat. Read, understand, and follow these instructions to ensure safe operation. **DO NOT REMOVE THESE LABELS.**

⚠ WARNINGS

READ ALL INSTRUCTIONS. FAILURE TO FOLLOW THESE WARNINGS AND INSTRUCTIONS MAY RESULT IN SERIOUS BODILY INJURY OR DEATH.

- This hard hat provides LIMITED protection from small objects striking top, front, back, left and right sides of the hard hat. This is NOT an ANSI/CSA Type II hard hat.
- **DO NOT** expose suspension and padding to open flame.
- **ELECTRICAL WARNING:** Avoid areas where the chance of electrical shock exists. Non-vented versions meet Class E requirements by providing limited electrical protection. Class C vented models provide NO electrical protection.
- If the hard hat has sustained an impact, dispose of it IMMEDIATELY, even if damage is not visible.
- **NEVER** alter, puncture, modify or engrave the shell or the suspension.
- **DO NOT** use paints, solvents, chemicals, adhesives, gasoline or like substances on this hard hat – doing so can lessen the protection offered against impact and penetration.
- **DO NOT** use this hard hat as a vehicular or recreational hard hat.
- **DO NOT** store objects between the suspension and the shell, as the hard hat will not function as intended and can lessen the protection from impact and penetration.
- Exposure to direct sunlight, corrosive environments, and/or extreme temperatures below -40°F (-40°C) or above 120°F (49°C) can lessen the ability of the hard hat to withstand impact and penetration.

MAINTENANCE

HARD HAT CLEANING AND STORAGE

- Clean the hard hat and suspension with mild soap and water only. Rinse and wipe dry. Clean optional chin strap with damp cloth only. Store in a cool place.
- See SWEATBAND AND TOP COMFORT PAD section of the operating instructions (on other side) for additional maintenance information.

INSPECTION AND REPLACEMENT

Inspect the hard hat, including the suspension and shell, before and after each use:

- Check the Hard Hat's shell for any cracks, breakage, discoloration, chalky appearance, or any other damage, excessive wear or unusual condition. These conditions may indicate reduced impact or penetration resistance and the Hard Hat must be replaced IMMEDIATELY.
- The suspension and optional chin strap should be checked for cracks, breaks, damaged stitching or any other damage, excessive wear or unusual condition. If any of these conditions exist, the suspension and optional chin strap must be replaced IMMEDIATELY.
- Always use genuine Klein Tools replacement parts. This product works as a system, and use of unauthorized suspensions may reduce the protection you receive from this hard hat.

USEFUL LIFE

SUSPENSION AND OPTIONAL CHIN STRAP: Must be replaced after no more than 12 months of use.

ENTIRE HARD HAT: Entire Hard Hat should be replaced after 2 years of use, or no more than 5 years from the date of manufacture, whichever comes first.

These are useful service life guidelines. Regular inspection as detailed in the MAINTENANCE section above MUST be performed, and may result in possible earlier replacement.

NOTE: This replacement schedule is a guideline that assumes normal use and storage conditions for the hard hat. If the hard hat is exposed to temperature extremes, persistent sunlight, or chemicals, replacement may be required in a shorter time frame.

WARRANTY

www.kleintools.com/warranty

ACCESSORIES AND REPLACEMENT PARTS

Klein Tools hard hat accessories and replacement parts are available online or at major distributors:

- **KHHSN:** Replacement Suspension
- **KHHSWTBND:** Sweatband (3-pack)
- **KHHTOPPAD:** Top Comfort Pad (3-pack)
- **KHHSTRP:** Chin Strap
- **56049:** Rechargeable Light Array Headlamp (Flood only)
- **56062:** Rechargeable Headlamp / Worklight (Spot/Flood)
- **56048:** Rechargeable Auto-Off Headlamp (Spot/Flood)
- **56063:** Safety Lamp
- **60156:** Intrinsically Safe LED Headlamp

NOTE: KLEIN TOOLS CANNOT GUARANTEE THAT THIRD-PARTY ACCESSORIES WILL PERFORM OR FIT OPTIMALLY WITH KLEIN TOOLS HARD HATS.

DISPOSAL / RECYCLE

Do not place hard hat or its accessories in the trash. Items must be properly disposed of in accordance with local regulations. See www.epa.gov/recycle for additional information.

CUSTOMER SERVICE

KLEIN TOOLS, INC.

450 Bond Street, Lincolnshire, IL 60069 1-800-553-4676
customerservice@kleintools.com www.kleintools.com

FEATURE DETAILS (FIG. C)

- | | |
|-------------------------------------|---------------------------------|
| 5 Universal accessory slots | 12 Washable sweatband |
| 6 Klein Tools accessory slots | 13 Washable top comfort pad |
| 7 Vents with shutter (C-Class only) | 14 Suspension straps |
| 8 Pivot adjustment | 15 Reflective sticker locations |
| 9 Size adjustment knob | 16 Suspension bracket |
| 10 Rear neck pad | 17 Bracket key |
| 11 Suspension strap anchor slots | 18 Bracket key slots |

FITTING (FIG. D)

All hard hats come with suspension pre-installed at factory settings. The suspension can be adjusted to ensure proper and secure fit to your head for maximum protection. Follow the steps below:

STEP 1: Turn the size adjustment knob 9 counterclockwise to loosen the fit. Position the rear pad on the back of your head, closer to the neck. Dress any bandana knots or ponytails over the rear neck pad 10.

STEP 2: Tighten by turning the size adjustment knob 9 clockwise until the hard hat is comfortable and snug. Move your head up, down and side-to-side gently, like you would normally, and make sure the hard hat stays on. Make sure that the hard hat is not angled forward or backward, but rests level on your head.

ADJUSTMENTS (FIG. E)

If the hard hat does not fit properly at the factory settings, you can further adjust the fit:

STEP 1: Free the suspension by turning the suspension bracket 16 approximately 90 degrees to free the bracket key 17 from the bracket key slots.

STEP 2: Determine which slot 18 you want to reattach to. Using the bracket slots deeper in the hard hat will move it higher on the head and vice versa. Insert the bracket key 17 and turn the bracket 16 approximately 90 degrees to lock into place. Always match the settings on the left and right sides to prevent the suspension from sitting at an angle.

ADJUSTMENTS (FIG. E)

STEP 3: Verify the hard hat fits properly. Follow the steps in the FITTING section to ensure proper fit. Ensure that accessories you plan to use fit and function properly while maintaining the hard hat's ability to perform its function optimally. Check with a qualified safety expert, if unsure.

NOTE: The suspension strap lengths are fixed and cannot be adjusted. **DO NOT** attempt to alter.

REVERSE DONNING (FIG. F)

NOTE: Some jobsites may not permit reverse donning - Check with your jobsite's Safety Supervisor before changing your hard hat to this configuration.

STEP 1: Place your forefinger under the strap anchor, and your thumb over the anchor slot 19. Push up with forefinger using enough force to release the anchor from the slot. Do this for all anchor slots (4 total). **NOTE: DO NOT pull on the suspension straps to free the anchor. This could permanently damage the straps, preventing them from performing as intended.**

STEP 2: Make any height adjustments for the suspension before installation.

STEP 3: Push down each anchor until a click is heard and the anchor cannot be pushed down any further. Do this for all 4 anchors. **NOTE: DO NOT use sharp tools that may damage the anchors, or pull on the straps to secure the anchors.**

STEP 4: Check proper installation by pushing up on all 4 anchor bases. The anchors should remain fully seated in their slots. If not, repeat STEP 3.

STEP 5: Verify the hard hat fits properly. Follow the steps in the FITTING section to ensure proper fit. Also ensure that accessories you plan to use fit and function properly while maintaining the hard hat's ability to perform optimally.

SWEATBAND AND TOP COMFORT PAD (FIG. H)

Klein Tools hard hats come with an advanced sweatband and top comfort pad designed to wick away sweat. They are machine washable in a normal wash cycle. Do NOT wash with bleach or with detergents containing bleach. Machine dry on normal or low heat setting only.

The sweatband and top comfort pad can be easily removed and reinstalled on the suspension:

- The top comfort pad is held in place by a single hook-and-loop pad 25.
- The sweatband is held in place by four suspension hooks 26 and three hook-and-loop pads 25, on the side and front. To remove, simply detach all hook-and-loop pads and slide the sweatband off the suspension hooks.

VENTS (C-CLASS ONLY)

Klein Tools Class C hard hats have vents and shutters on both sides. The vents can be adjusted by simply sliding the shutter tabs 7 up or down.

⚠ The vents and shutters will NOT prevent vapors, liquids, or debris smaller than the vents from entering the hard hat.

56062 HEADLAMP (FIG. G)

The optional 56062 is a rechargeable headlamp designed specifically for Klein hard hats that have the integrated front and rear accessory slots. It functions as a spot light or flood light, and has magnet to attach onto magnetic surfaces for use as a worklight. Charging cable is included with models that include rechargeable headlamps.

- | | |
|-----------------------|-------------------|
| 19 Release tab | 22 Flood lights |
| 20 On/Off/Mode button | 23 Magnet |
| 21 Spot light | 24 Pivoting mount |

The 56062 can be attached to both the front and back of the hard hat via the Klein Tools accessory slot. It can be tilted up to 64 degrees on the hard hat and stand alone as a worklight.

To install the headlamp onto a Klein hard hat, align the pivoting mount 24 with the Klein Tools accessory slot 6 on the hard hat and push down until the headlamp clicks securely into place.

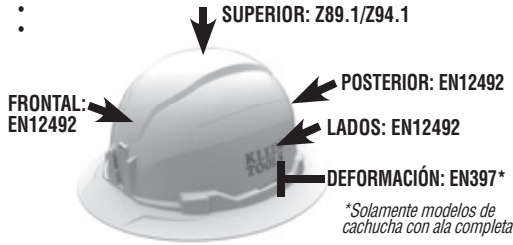
To remove the headlamp, press forward on the Release Tab 19, and lift the headlamp out of the accessory slot.

REFLECTIVE STICKERS (FIG. C)

Klein Tools hard hats come with four reflective stickers. For optimal performance, affix only to the designated areas 15. Do NOT apply stickers in areas that will impede the functionality of accessories or of the hard hat itself.

ESPECIFICACIONES GENERALES

- **Normas:** estos cascos de seguridad de Klein Tools cumplen con las normas ANSI/ISEA Z89.1-2014 Tipo I y CSA Z94.1-15:
- Los cascos de seguridad sin ventilación Clase E han sido sometidos a pruebas de hasta 20 kV.
- EN397:2012+A1:2012 (cláusulas mencionadas únicamente):
 - 5.2.4 Deformación lateral (LD)
- EN12492:2012 (cláusulas mencionadas únicamente):
 - 4.2.1.2 Capacidad frontal de absorción de energía
 - 4.2.1.3 Capacidad lateral de absorción de energía
 - 4.2.1.4 Capacidad posterior de absorción de energía



• Se adapta a: tamaños de cabeza de 6-1/2 a 8 (20-1/2" a 25" / 52 a 64 cm)

EN EL PRODUCTO (FIG. A)

- 1 Logotipo de colocación inversa
- 2 Información sobre normas con las que cumple, clase, tipo y tamaño de cabeza
- 3 Código de reciclaje y tipo de material
- 4 Fecha de fabricación

ETIQUETAS DE ADVERTENCIA (FIG. B)

Hay dos etiquetas de advertencia pegadas en el interior de este casco de seguridad tipo cachucha. Lea, comprenda y siga estas instrucciones para garantizar un funcionamiento seguro. **NO RETIRE ESTAS ETIQUETAS.**

ADVERTENCIAS

LEA TODAS LAS INSTRUCCIONES. NO SIGUIR ESTAS ADVERTENCIAS E INSTRUCCIONES PUEDE CAUSAR LESIONES PERSONALES GRAVES O MORTALES.

- Este casco de seguridad proporciona protección LIMITADA contra golpes de objetos pequeños en las partes superior, frontal, posterior y lateral del casco. Este NO es un casco de seguridad que cumple con las normas ANSI/CSA Tipo II.
- **NO** exponga la suspensión ni el acolchado a llamas abiertas.
- **ADVERTENCIA DE ELECTRICIDAD:** evite las áreas donde exista la posibilidad de recibir choques eléctricos. Las versiones de casco sin ranuras de ventilación cumplen con los requisitos de Clase E al brindar una protección eléctrica limitada. Los modelos de casco Clase C **NO** brindan protección eléctrica.
- Si el casco ha sufrido un impacto, deséchelo DE INMEDIATO, incluso si el daño no es visible.
- **NUNCA** altere, perforo, modifique o grave el casquete o la suspensión.
- **NO** use pinturas, solventes, productos químicos, adhesivos, gasolina o sustancias similares en este casco, ya que esto puede reducir la protección que ofrece contra el impacto y la penetración.
- **NO** use este casco para conducir o con fines recreativos.
- **NO** almacene objetos entre la suspensión y el casquete, ya que el casco de seguridad no funcionará como debe y se puede reducir la protección contra el impacto y la penetración.
- La exposición a la luz solar directa, ambientes corrosivos y/o temperaturas extremas por debajo de -40 °F (-40 °C) o superiores a 120 °F (49 °C) pueden reducir la capacidad del casco de seguridad para resistir el impacto y la penetración.

MANTENIMIENTO

LIMPIEZA Y ALMACENAMIENTO DEL CASCO

- Limpie el casco de seguridad y la suspensión únicamente con agua y jabón suave. Enjuague y seque con un paño. Limpie la correa de barbilla opcional únicamente con un paño húmedo. Almacene en un lugar fresco.
- Consulte la sección BANDA ABSORBENTE DE SUDOR Y ALMOHADILLA SUPERIOR CÓMODA de las instrucciones de funcionamiento (en el reverso) para obtener información adicional sobre el mantenimiento.

INSPECCIÓN Y REEMPLAZO

Inspeccione el casco de seguridad, incluyendo la suspensión y el casquete, antes y después de cada uso:

- Revise el casquete del casco de seguridad para detectar grietas, roturas, decoloración, apariencia blanquecina o cualquier otro daño, desgaste excesivo o condición inusual. Estas condiciones pueden indicar una reducción en la resistencia al impacto o la penetración, y el casco debe reemplazarse INMEDIATAMENTE.
- Se debe verificar la suspensión y la correa de barbilla opcional para detectar grietas, roturas, costuras dañadas o cualquier otro daño, desgaste excesivo o condición inusual. Si se presenta alguna de estas condiciones, la suspensión y la correa de barbilla deben reemplazarse INMEDIATAMENTE.
- Utilice siempre piezas de repuesto originales de Klein Tools. Este producto funciona como un sistema, por lo que el uso de suspensiones no autorizadas puede reducir la protección provista por este casco de seguridad.

VIDA ÚTIL

SUSPENSIÓN Y CORREA DE BARBILLA OPCIONAL: debe reemplazarse después de 12 meses de uso.

TODO EL CASCO DE SEGURIDAD: Debe reemplazarse después de 2 años de uso, o a los 5 años desde la fecha de fabricación, lo que ocurra primero.

Estas son pautas de vida útil. Se DEBEN realizar inspecciones frecuentes como se indica en la sección MANTENIMIENTO de arriba, y puede resultar en un posible reemplazo anticipado.

NOTA: este programa de reemplazo es una pauta que supone condiciones normales de uso y almacenamiento del casco. Si el casco de seguridad está expuesto a temperaturas extremas, luz solar continua o productos químicos, puede ser necesario reemplazarlo en un periodo más corto.

GARANTÍA

www.kleintools.com/warranty

ACCESORIOS Y PIEZAS DE REPUESTO

Los accesorios y piezas de repuesto para cascos de seguridad tipo cachucha de Klein Tools están disponibles en línea o con los principales distribuidores:

- **KHHSPN:** Suspensión de repuesto
- **KHHSWTBND:** Banda absorbente de sudor (paquete de 3 unidades)
- **KHHTOPPAD:** Almohadilla superior cómoda (paquete de 3 unidades)
- **KHHSTRP:** Correa de barbilla
- **56049:** Luz frontal con matriz de luz recargable (luz de proyección únicamente)
- **56062:** Luz frontal recargable / luz de trabajo (luz enfocada/de proyección)
- **56048:** Luz frontal recargable de apagado automático (luz enfocada/de proyección)
- **56063:** Lámpara de seguridad
- **60156:** Luz Frontal LED Intrínsecamente Segura

NOTA: KLEIN TOOLS NO PUEDE GARANTIZAR QUE LOS ACCESORIOS DE TERCEROS FUNCIONEN O SE ADAPTAN DE MANERA ÓPTIMA A LOS CASCOS DE SEGURIDAD DE KLEIN TOOLS.

ELIMINACIÓN/RECICLAJE



No arroje el casco de seguridad tipo cachucha ni sus accesorios a la basura. Los elementos se deben desechar correctamente de acuerdo con las regulaciones locales. Consulte www.epa.gov/recycle para obtener más información.

SERVICIO AL CLIENTE

KLEIN TOOLS, INC.

450 Bond Street, Lincolnshire, IL 60069 1-800-553-4676
customerservice@kleintools.com www.kleintools.com

DETALLES DE LAS CARACTERÍSTICAS (FIG. C)

- | | |
|--|--|
| 5 Ranuras para accesorios universales | 12 Banda absorbente de sudor lavable |
| 6 Ranuras para accesorios de Klein Tools | 13 Almohadilla superior cómoda lavable |
| 7 Orificios de ventilación con rejilla (Clase C solamente) | 14 Correas de suspensión |
| 8 Ajuste de giro | 15 Ubicaciones para adhesivos reflectantes |
| 9 Perilla para ajustar el tamaño | 16 Soporte de suspensión |
| 10 Almohadilla para la nuca | 17 Bloqueo de soporte |
| 11 Ranuras de anclaje de la correa de suspensión | 18 Ranuras del bloqueo de soporte |

AJUSTE (FIG. D)

Todos los cascos de seguridad cuentan con suspensión preinstalada con ajuste de fábrica. La suspensión se puede ajustar para garantizar un ajuste correcto y seguro a su cabeza para máxima protección. Siga los pasos a continuación:

PASO 1: gire la perilla para ajustar el tamaño 9 en sentido contrario a las agujas del reloj para aflojar el ajuste. Coloque la almohadilla trasera en la parte posterior de su cabeza, más cerca de la nuca. Los nudos de paliaete o colas de caballo deben ir sobre la almohadilla posterior para la nuca 10.

PASO 2: ajuste girando la perilla para ajustar el tamaño 9 en sentido a las agujas del reloj hasta que el casco tenga un ajuste cómodo y ceñido. Mueva su cabeza hacia arriba, hacia abajo y hacia los lados suavemente, como lo haría normalmente, y asegúrese de que su casco se mantenga ajustado. Asegúrese de que el casco no esté inclinado hacia adelante o hacia atrás, sino que quede nivelado en su cabeza.

AJUSTES (FIG. E)

Si el casco no se adapta correctamente al ajuste de fábrica, puede adecuar aún más el ajuste:

PASO 1: libere la suspensión girando el soporte de suspensión 16 aproximadamente 90 grados para liberar el bloqueo de soporte 17 de las ranuras del bloqueo de soporte.

PASO 2: defina la ranura 18 que desee volver a calzar. Al usar las ranuras de soporte que se encuentran más al interior del casco, este se desplazará hacia arriba en la cabeza y viceversa. Inserte el bloqueo de soporte 17 y gire el soporte 16 aproximadamente 90 grados para bloquearlo en su posición. Siempre haga coincidir los ajustes en los lados izquierdo y derecho para evitar que la suspensión permanezca

AJUSTES (FIG. E)

PASO 3: verifique que el casco se ajusta adecuadamente. Siga los pasos en la sección AJUSTES para asegurar un ajuste adecuado. Asegúrese de que los accesorios que planea usar se adapten y funcionen adecuadamente mientras se mantiene la capacidad del casco para cumplir con su función de manera óptima. Si no está seguro, verifique con un experto en seguridad calificado.

NOTA: las longitudes de la correa de suspensión son fijas y no se pueden ajustar. **NO intente ajustarlas.**

COLOCACIÓN INVERSA (FIG. F)

NOTA: es posible que en algunos lugares de trabajo no se permita una colocación inversa - Consulte con el supervisor de seguridad de su lugar de trabajo antes de cambiar su casco de seguridad a este ajuste.

PASO 1: coloque su dedo índice debajo del anclaje de la correa y su pulgar sobre la ranura de anclaje 11. Empuje hacia arriba con el dedo índice empleando la fuerza suficiente para liberar el anclaje de la ranura. Haga esto con todas las ranuras de anclaje (son 4 en total).

NOTA: NO jale de las correas de la suspensión para liberar el anclaje. Esto podría dañar permanentemente las correas, evitando que funcionen de forma prevista.

PASO 2: realice cualquier ajuste de altura en la suspensión antes de la instalación.

PASO 3: empuje cada anclaje hacia abajo hasta que se escuche un clic y no se pueda empujar el anclaje más hacia abajo. Haga esto con todos los 4 anclajes. **NOTA: NO utilice herramientas afiladas que puedan dañar los anclajes, ni jale de las correas para asegurarlos.**

PASO 4: verifique que se haya instalado correctamente empujando hacia arriba las 4 bases de anclaje. Los anclajes deben permanecer correctamente colocados en sus ranuras. Si no lo están, repitan el PASO 3.

PASO 5: verifique que el casco se ajusta adecuadamente. Siga los pasos en la sección AJUSTES para asegurar un ajuste adecuado. Además, asegúrese de que los accesorios que planea usar se adapten y funcionen correctamente, a la vez que permiten que el casco de seguridad tipo cachucha tenga un desempeño óptimo.

BANDA ABSORBENTE DE SUDOR Y ALMOHADILLA SUPERIOR CÓMODA (FIG. H)

Los cascos de seguridad tipo cachucha de Klein Tools cuentan con una banda absorbente de sudor avanzada y una almohadilla superior cómoda diseñada para absorber el sudor. Son lavables a máquina bajo un ciclo de lavado normal. NO las lave con blanqueador ni con detergentes que lo contengan. Séquela a máquina solo a temperatura normal o baja.

La banda absorbente de sudor y la almohadilla superior cómoda se pueden retirar y volver a colocar fácilmente en la suspensión:

- La almohadilla superior cómoda se mantiene en su lugar mediante una sola almohadilla de velcro 25.
- La banda absorbente de sudor se mantiene en su lugar con cuatro ganchos de suspensión 26 y tres almohadillas de velcro 25, en el frente y a los lados. Para quitarla, simplemente desprenda todas las almohadillas de velcro y retire la banda absorbente de sudor de los ganchos de suspensión.

ORIFICIOS DE VENTILACIÓN (CLASE C SOLAMENTE)

Los cascos de seguridad tipo cachucha Clase C cuentan con orificios de ventilación y rejillas en ambos lados. Los orificios de ventilación se pueden ajustar simplemente deslizando las rejillas 7 hacia arriba o hacia abajo.

△ Los orificios y las rejillas NO evitarán que vapores, líquidos o residuos de menor tamaño ingresen en el casco.

LUZ FRONTAL 56062 (FIG. G)

El accesorio opcional 56062 es una luz frontal recargable diseñada específicamente para los cascos de seguridad de Klein que cuentan con ranuras integradas para accesorios frontales y posteriores. Funciona como luz enfocada o luz de proyección, y cuenta con un imán para sujetarse a superficies magnéticas para su uso como luz de trabajo. El cable de carga está incluido con los modelos que incluyen luz frontal recargable.

- | | |
|------------------------------------|------------------------|
| 19 Lengüeta de liberación | 22 Luces de proyección |
| 20 Botón de modo/encendido/apagado | 23 Imán |
| 21 Luz enfocada | 24 Soporte giratorio |

La luz frontal 56062 puede sujetarse tanto en la parte frontal como en la parte posterior del casco de seguridad a través de la ranura para accesorios de Klein Tools. Puede inclinarse hasta 64° sobre el casco de seguridad y de forma independiente como luz de trabajo.

Para instalar la luz frontal en el casco de seguridad tipo cachucha de Klein, alinee el soporte giratorio 24 con la ranura para accesorios de Klein Tools 6 del casco y empuje hacia abajo hasta que se escuche un clic y la luz frontal esté firmemente en su lugar.

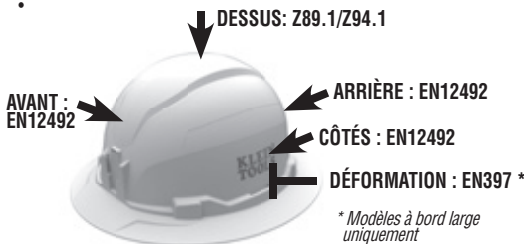
Para retirar la luz frontal, presione hacia adelante la lengüeta de liberación 19 y levante la luz frontal de la ranura para accesorios.

ADHESIVOS REFLECTANTES (FIG. C)

Los cascos de seguridad tipo cachucha de Klein Tools incluyen cuatro adhesivos reflectantes. Para un óptimo rendimiento, fíjelos solo en las áreas designadas 15. NO coloque los adhesivos en áreas que impidan la funcionalidad de los accesorios o del casco como tal.

CARACTÉRISTIQUES GÉNÉRALES

- **Normes** : Ces casques de sécurité de Klein Tools sont conformes aux normes ANSI/ISEA Z89.1-2014 et CSA Z94.1-15 pour les casques de type I :
- Les casques de sécurité non ventilés de classe E ont été testés jusqu'à 20 kV.
- EN 397:2012+A1:2012 (articles énumérés seulement) :
 - 5.2.4 – Déformation latérale
 - EN 12492:2012 (articles énumérés seulement) :
 - 4.2.1.2 – Capacité d'absorption des chocs frontaux
 - 4.2.1.3 – Capacité d'absorption des chocs latéraux
 - 4.2.1.4 – Capacité d'absorption des chocs arrière



- **Convient à** : Têtes de tailles 6 1/2 à 8 (52 à 64 cm [20 1/2 à 25 po])

SYMBOLES SUR LE PRODUIT (FIG. A)

- 1 Symbole de port devant-derrrière
- 2 Renseignements sur la conformité aux normes, la classe, le type et les tailles de tête
- 3 Code de recyclage et type de matériau
- 4 Date de fabrication

ÉTIQUETTE D'AVERTISSEMENT (FIG. B)

Deux étiquettes d'avertissement sont fixées à l'intérieur de ce casque de chantier. Veuillez lire, comprendre et suivre ces instructions afin de garantir une utilisation sécuritaire du casque. **NE RETIREZ PAS CES ÉTIQUETTES.**

AVERTISSEMENTS

VEUILLEZ LIRE TOUTES LES INSTRUCTIONS. LE NON-RESPECT DES INSTRUCTIONS ET DES AVERTISSEMENTS DE CE MANUEL RISQUE D'ENTRAÎNER DES BLESSURES CORPORELLES GRAVES OU LA MORT.

- Ce casque de chantier offre une protection LIMITÉE contre les petits objets percutant le dessus, l'avant, l'arrière et les côtés du casque. Ce n'est PAS un casque de chantier ANSI/CSA de type II.
- **N'EXPOSEZ PAS** la coiffe et le rembourrage à une flamme nue.
- **AVERTISSEMENT DE CHOCS ÉLECTRIQUES** : Évitez les endroits présentant des risques de chocs électriques. Les modèles non aérés répondent aux exigences de la classe E et offrent une protection limitée contre les chocs électriques. Les modèles aérés de classe C n'offrent AUCUNE protection contre les chocs électriques.
- Si le casque de chantier a subi un choc, jetez-le IMMÉDIATEMENT, même si aucun dommage n'est visible.
- **NE MODIFIEZ JAMAIS** ce casque, ne le percez pas et ne gravez rien sur la coquille ou la coiffe.
- **N'UTILISEZ PAS** de peintures, de solvants, de produits chimiques, d'adhésifs, d'essence ou de substances semblables sur ce casque de chantier; vous risqueriez de réduire la protection contre les chocs et la pénétration.
- **N'UTILISEZ PAS** ce casque de chantier en guise de protection à bord d'un véhicule ou pour pratiquer un sport.
- **N'INSÉREZ PAS** d'objets entre la coiffe et la coquille, ce qui nuirait au fonctionnement du casque de chantier et réduirait la protection contre les chocs et la pénétration.
- L'exposition du casque à la lumière directe du soleil, à des environnements corrosifs et à des températures extrêmes de moins de -40 °C (-40 °F) ou de plus de 49 °C (120 °F) peut réduire sa résistance aux chocs et à la pénétration.

ENTRETIEN

NETTOYAGE ET ENTREPOSAGE DU CASQUE DE CHANTIER

- Nettoyez uniquement le casque de chantier et la coiffe avec de l'eau et un savon doux. Rincez-le et essuyez-le. Nettoyez uniquement la mentonnière (optionnelle) avec un chiffon humide. Entrez-les dans un endroit frais.
- Consultez la section BANDEAU ANTISUDATION ET COUSSINET DE CONFORT des instructions d'utilisation (au verso) pour en savoir plus sur l'entretien.

INSPECTION ET REMPLACEMENT

Inspectez le casque de chantier, y compris sa coiffe et sa coquille, avant et après chaque utilisation :

- Examinez la coquille pour y déceler des signes de fissures, de ruptures, de décoloration ou d'apparence crayeuse et tout autre signe de dommage, d'usure excessive ou d'état inhabituel. Un casque présentant de tels signes est potentiellement moins résistant aux chocs ou à la pénétration et doit être remplacé IMMÉDIATEMENT.
- La coiffe et la mentonnière optionnelle doivent être examinées pour y déceler des signes de fissures, de ruptures ou de coupures endommagées et tout autre signe de dommage, d'usure excessive ou d'état inhabituel. Si de tels signes sont présents, la coiffe et la mentonnière doivent être remplacées IMMÉDIATEMENT.
- Utilisez toujours des pièces de rechange Klein Tools authentiques. Ce produit fonctionne comme un tout : l'utilisation d'une coiffe non autorisée risque de réduire la protection offerte par le casque.

DURÉE DE VIE UTILE

SUSPENSION ET MENTONNIÈRE OPTIONNELLE : Doit être remplacée après un maximum de 12 mois d'utilisation.

ENTIÈREMENT DU CASQUE DE CHANTIER : Le casque de chantier en entier doit être remplacé après 2 ans d'utilisation ou un maximum de 5 ans après sa date de fabrication, le premier des deux prévalant.

Ces directives indiquent les durées de vie utile. Vous DEVEZ également réaliser une inspection régulière du produit, conformément aux instructions de la section ENTRETIEN, qui pourrait mener à un remplacement précoce du produit.

REMARQUE : Ces délais pour le remplacement tiennent compte d'une utilisation et d'un entreposage normaux. Si le casque est exposé à des températures extrêmes, à un ensoleillement constant ou à des produits chimiques, un remplacement précoce pourrait être nécessaire.

GARANTIE

www.kleintools.com/warranty

ACCESSOIRES ET PIÈCES DE RECHANGE

Des accessoires et des pièces de rechange de casques de chantier sont offerts en ligne et auprès des principaux distributeurs :

- **KHHSN** : Coiffe de rechange
- **KHHSWTBND** : Bandeaux antisudation (pqt de 3)
- **KHHTOPPAD** : Coussinets de confort (pqt de 3)
- **KHHSTRP** : Mentonnière
- **56049** : Lampe frontale rechargeable à large spectre (éclairage général uniquement)
- **56062** : Lampe frontale rechargeable / lampe de travail (faisceau concentré/éclairage général)
- **56048** : Lampe frontale rechargeable à arrêt automatique (faisceau concentré/éclairage général)
- **56063** : Lampe de sécurité
- **60156** : Lampe Frontale À DEL À Sécurité Intrinsèque

REMARQUE : **KLEIN TOOLS NE PEUT GARANTIR LE FONCTIONNEMENT ET LA COMPATIBILITÉ DES ACCESSOIRES DE TIERS UTILISÉS AVEC SES CASQUES DE CHANTIER.**

MISE AU REBUT/RECYCLAGE

Ne mettez pas le casque de chantier et ses accessoires au rebut. Ces articles doivent être éliminés conformément aux règlements locaux. Pour de plus amples renseignements, consultez le site www.epa.gov/recycle.

SERVICE À LA CLIENTÈLE

KLEIN TOOLS, INC.

450 Bond Street, Lincolnshire, IL 60069 1 800 553-4676
customerservice@kleintools.com www.kleintools.com

CARACTÉRISTIQUES DÉTAILLÉES (FIG. C)

- | | |
|--|--|
| 5 Fentes universelles pour accessoires | 12 Bandeau antisudation lavable |
| 6 Fentes pour accessoires Klein Tools | 13 Coussinet de confort lavable |
| 7 Fentes d'aération munies d'un obturateur (classe C uniquement) | 14 Sangles de coiffe |
| 8 Ajustement du pivot | 15 Emplacement des autocollants réfléchissants |
| 9 Bouton d'ajustement de la taille | 16 Support de coiffe |
| 10 Coussinet cervical arrière | 17 Ancre du support |
| 11 Fentes d'ancrage des sangles de coiffe | 18 Fentes pour l'ancrage du support |

ESSAYAGE (FIG. D)

Tous les casques de chantier sont équipés d'une coiffe préinstallée réglée en usine. La coiffe peut être ajustée à votre tête pour offrir une protection optimale. Suivez les étapes suivantes :

ÉTAPE 1 : Tournez le bouton d'ajustement de la taille 9 en sens antihoraire pour desserrer la coiffe. Placez le coussin cervical à l'arrière de votre tête, plus près du cou. Le cas échéant, placez votre nœud de foulard ou votre queue de cheval par-dessus le coussin cervical arrière 10.

ÉTAPE 2 : Resserrez la coiffe en tournant le bouton d'ajustement de la taille 9 en sens horaire jusqu'à ce que le casque de chantier tienne fermement et confortablement. Bougez votre tête doucement, de haut en bas et de gauche à droite, comme vous le feriez normalement, pour vous assurer que le casque reste bien en place. Assurez-vous que le casque est bien droit par rapport à votre tête, c'est-à-dire qu'il n'est pas penché vers l'avant ni vers l'arrière.

AJUSTEMENTS (FIG. E)

Si les réglages en usine du casque de chantier ne conviennent pas, vous pouvez les ajuster :

ÉTAPE 1 : Dégagez la coiffe en tournant le support de coiffe 16 sur environ 90 degrés de façon à décaler l'ancrage du support 17 de la fente où il se trouve.

ÉTAPE 2 : Déterminez la nouvelle fente à utiliser 18. En optant pour une fente se trouvant plus près du fond du casque, la coiffe remonte, et ainsi de suite. Insérez l'ancrage de support 17 et tournez le support 16 sur environ 90 degrés de façon à le fixer en place. Effectuez toujours les mêmes réglages sur la droite et la gauche du casque pour éviter que la coiffe penche sur un côté.

AJUSTEMENTS (FIG. E)

ÉTAPE 3 : Assurez-vous que le casque est bien ajusté. Suivez les étapes décrites à la section ESSAYAGE pour vous assurer que l'ajustement est adéquat. Assurez-vous que les accessoires que vous comptez ajouter fonctionnent et s'ajustent adéquatement, et qu'ils ne nuisent pas au fonctionnement optimal du casque. Dans le doute, consultez un expert qualifié en matière de sécurité.

REMARQUE : La longueur des sangles de coiffe est fixe et ne peut être réglée. Ne tentez PAS de la modifier.

PORT DEVANT-DERRIÈRE (FIG. F)

REMARQUE : Le port devant-derrrière est interdit sur certains chantiers : consultez le superviseur de la sécurité de votre chantier avant de régler votre casque ainsi.

ÉTAPE 1 : Placez votre index sous l'ancrage des sangles, et votre pouce sur la fente d'ancrage 11. Poussez vers le haut avec votre index, suffisamment fort pour décaler l'ancrage de la fente. Faites de même avec toutes les fentes d'ancrage (4 en tout). **REMARQUE** : Ne tirez PAS sur les sangles de coiffe pour libérer l'ancrage. Vous pourriez endommager les sangles de façon permanente, ce qui nuirait à leur fonctionnement normal.

ÉTAPE 2 : Avant d'installer la coiffe, ajustez la hauteur du sangles de coiffe.

ÉTAPE 3 : Enfoncez un ancrage dans sa fente jusqu'à ce que vous entendiez un clic et à ne pouvez plus l'enfoncer davantage. Faites de même avec les 4 ancres. **REMARQUE** : N'utilisez PAS d'outils pointus qui risqueraient d'endommager les ancres, et évitez de tirer sur les sangles pour fixer les ancres.

ÉTAPE 4 : Assurez-vous que la coiffe est bien installée en poussant sur la base des 4 ancres. Les ancres doivent rester bien enfoncés dans leur fente. Dans le cas contraire, refaites l'ÉTAPE 3.

ÉTAPE 5 : Assurez-vous que le casque est bien ajusté. Suivez les étapes décrites à la section ESSAYAGE pour vous assurer que l'ajustement est adéquat. Assurez-vous également que les accessoires que vous comptez ajouter s'ajustent et fonctionnent adéquatement, et qu'ils ne nuisent pas au fonctionnement optimal du casque.

BANDEAU ANTISUDATION ET COUSSINET DE CONFORT LAVABLE (FIG. H)

Les casques de chantier de Klein Tools sont munis d'un bandeau antisudation et d'un coussinet de confort conçus pour absorber la sueur. Ceux-ci sont lavables à la machine à cycle normal. Ne les lavez PAS avec de l'eau de javel ou un détergent contenant du javellisant. Séchez à la machine en utilisant uniquement un réglage normal ou à basse température.

Le bandeau antisudation et le coussinet de confort peuvent être retirés et réinstallés facilement sur la coiffe :

- Le coussinet de confort est maintenu en place par un seul coussinet autoagrippant 25.
- Le bandeau antisudation est maintenu en place par quatre crochets 26 et trois coussinets autoagrippants 25, situés sur les côtés et à l'avant du bandeau. Pour retirer le bandeau antisudation, détachez simplement les coussinets autoagrippants et glissez le bandeau hors des crochets.

FENTES D'AÉRATION (CLASSE C UNIQUEMENT)

Les casques de chantier de classe C de Klein Tools sont pourvus de fentes d'aérations munies d'un obturateur sur les deux côtés. L'obturateur peut être réglé simplement en glissant l'onglet 7 vers le haut ou le bas.

⚠ L'obturateur n'empêche PAS les vapeurs, les liquides et les débris plus fins que les fentes d'aération de pénétrer le casque.

LAMPE FRONTALE 56062 (FIG. G)

La lampe frontale rechargeable 56062 (optionnelle) a été spécialement conçue pour les casques de chantier Klein munis de fentes intégrées avant et arrière pour les accessoires. Elle projette un faisceau concentré ou un éclairage général et est munie d'un aimant qui permet de la fixer aux surfaces magnétiques pour la transformer en lampe de travail. Le câble de recharge est inclus avec les modèles équipés d'une lampe frontale rechargeable.

- | | |
|-----------------------------|-----------------------|
| 19 Langquette de dégagement | 22 Éclairage général |
| 20 Bouton marche/arrêt/mode | 23 Aimant |
| 21 Faisceau concentré | 24 Fixation pivotante |

La lampe frontale 56062 peut être fixée à l'avant ou à l'arrière du casque de chantier grâce à la fente pour accessoires de Klein Tools. Elle peut être inclinée jusqu'à 64° sur le casque et servir séparément comme lampe de travail.

Pour installer la lampe frontale sur un casque de chantier Klein, alignez la fixation pivotante 24 avec la fente pour accessoires 6 de Klein Tools située sur le casque et poussez jusqu'à ce qu'un « clic » se fasse entendre.

Pour retirer la lampe frontale, poussez sur la languette de dégagement 19, puis dégagez la lampe frontale de la fente pour accessoires.

AUTOCOLLANTS RÉFLÉCHISSANTS (FIG. C)

Les casques de chantier de Klein Tools sont offerts avec quatre autocollants réfléchissants. Pour une utilisation optimale, appliquez-les sur les zones désignées seulement 15. N'appliquez PAS les autocollants sur des zones qui pourraient nuire au fonctionnement des accessoires ou du casque de chantier.