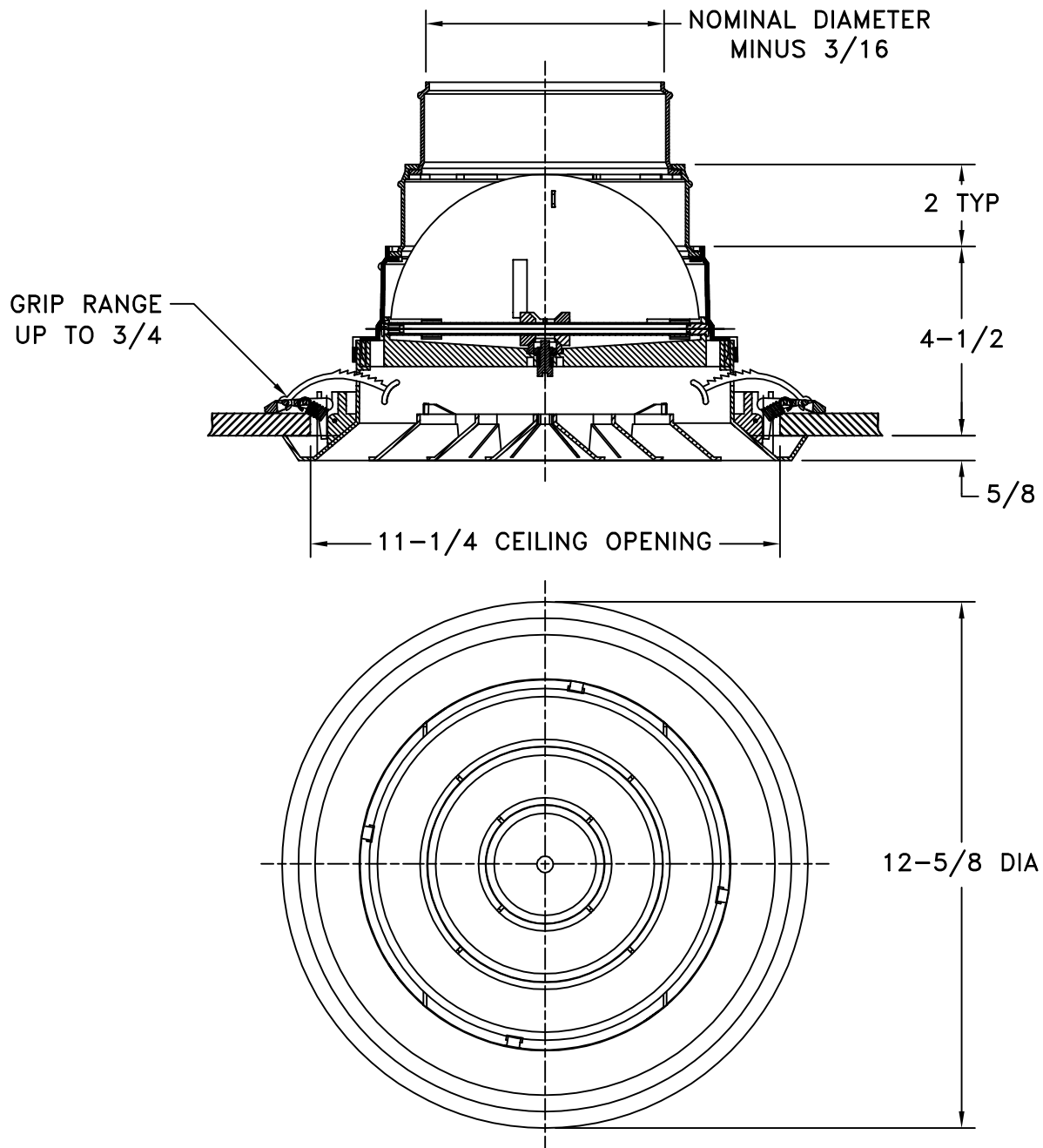


- ENGINEERED UV RESISTANT POLYMER CONSTRUCTION
- REMOVABLE CORE
- RATCHETING CAM LOCK CEILING ATTACHMENT
- TIE STRAP INCLUDED
- INTEGRAL 6, 7 & 8 INCH COLLARS WITH FLEX DUCT BEAD
- BUILT IN BUTTERFLY DAMPER



JOB NAME: _____	SUBMITTED BY: _____	DATE: 08/13/2013	SD-2159
LOCATION: _____	RZ16 Round Plastic Ceiling Diffuser		
ARCHITECT: _____			
ENGINEER: _____			
CONTRACTOR: _____			