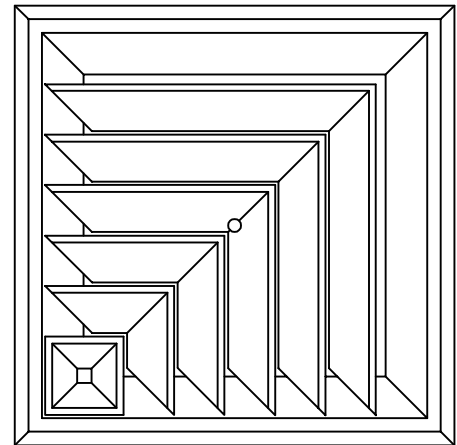
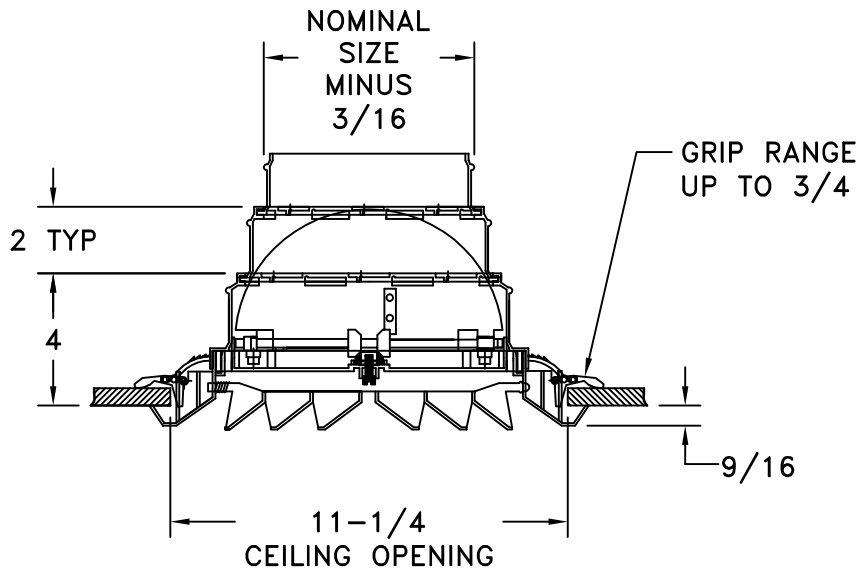
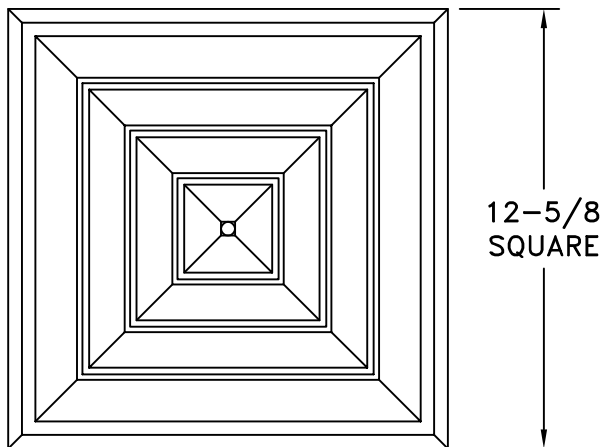


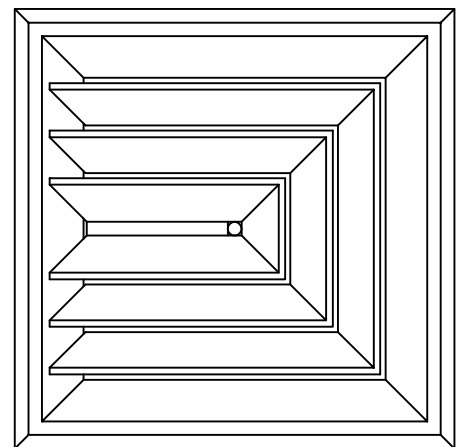
- ENGINEERED UV RESISTANT POLYMER CONSTRUCTION
- REMOVABLE CORE
- RATCHETING CAM LOCK CEILING ATTACHMENT
- TIE STRAP INCLUDED
- INTEGRAL 6, 7 AND 8 INCH COLLARS WITH FLEX DUCT BEAD
- BUILT IN BUTTERFLY DAMPER



**2-WAY CORNER  
RZ505**



**4-WAY  
RZ504**



**3-WAY  
RZ503**

JOB NAME: _____	SUBMITTED BY: _____	DATE: 08/13/2013	SD-2158
LOCATION: _____		<b>RZ500</b>	
ARCHITECT: _____		Square Plastic	
ENGINEER: _____		Ceiling Diffuser	
CONTRACTOR: _____			