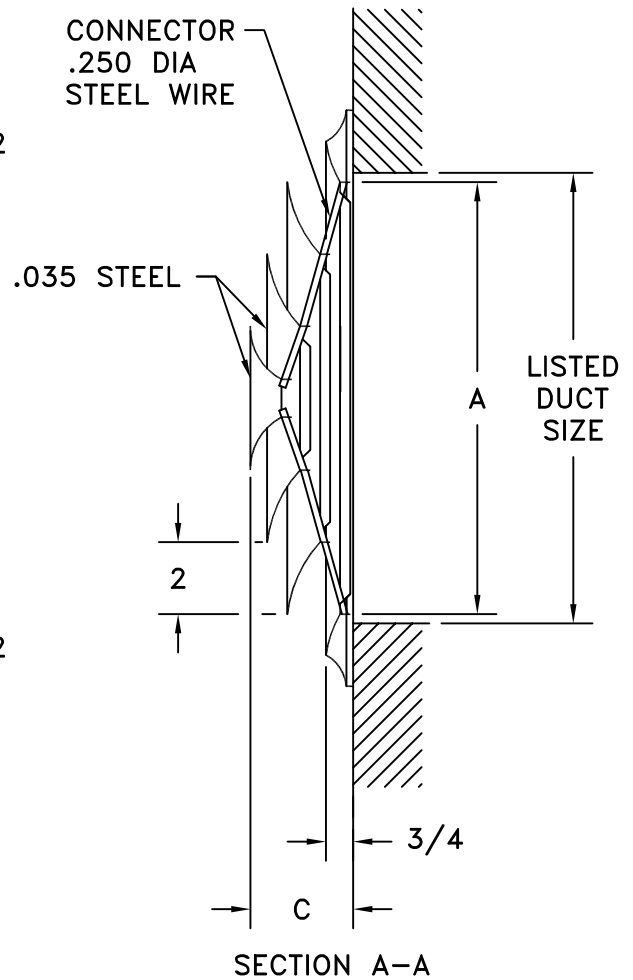
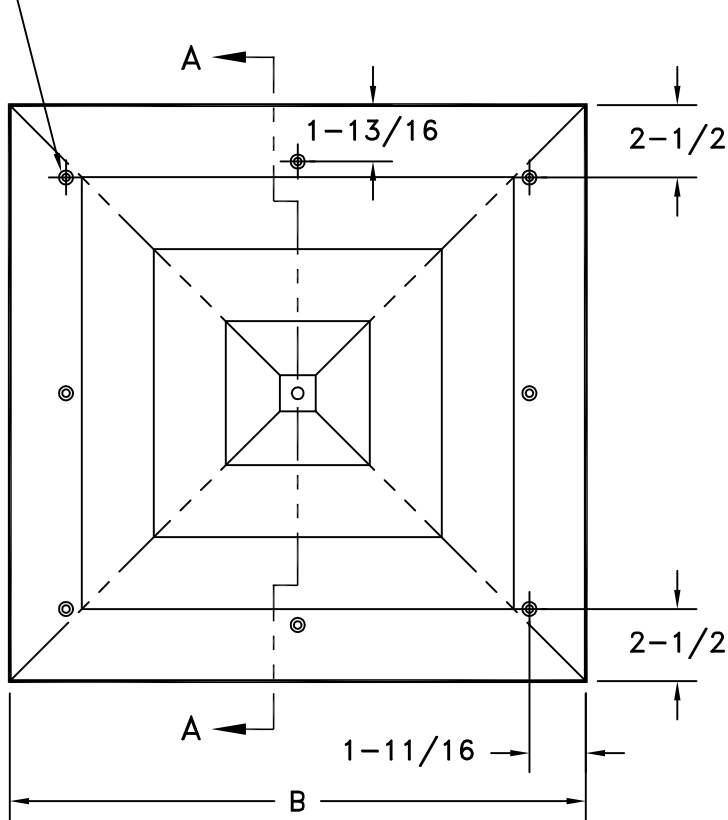


- STEEL CONSTRUCTION
- OPTIONAL STEEL INSTALLATION FRAME OR OPPOSED BLADE DAMPER
- FINISH: WHITE (W) ENAMEL

7/32 DIA HOLE WITH 11/32 DIA EMBOSS
 4 SCREW HOLES FOR 16 & 18 SIZES
 8 SCREW HOLES FOR 20, 22 & 24 SIZES



SIZE	A	B	C	NO. OF CONES
16	15-3/4	21-1/2	3-41/64	5
18	17-3/4	23-1/2	3-41/64	5
20	19-3/4	25-1/2	4-7/32	6
22	21-3/4	27-1/2	4-7/32	6
24	23-3/4	29-1/2	4-51/64	7

JOB NAME: _____
 LOCATION: _____
 ARCHITECT: _____
 ENGINEER: _____
 CONTRACTOR: _____

SUBMITTED BY: _____

DATE: 08/26/2013 | SD-2214

24
 Steel Square Diffuser
 Step Down Face
 Sizes 18 - 24 Inch