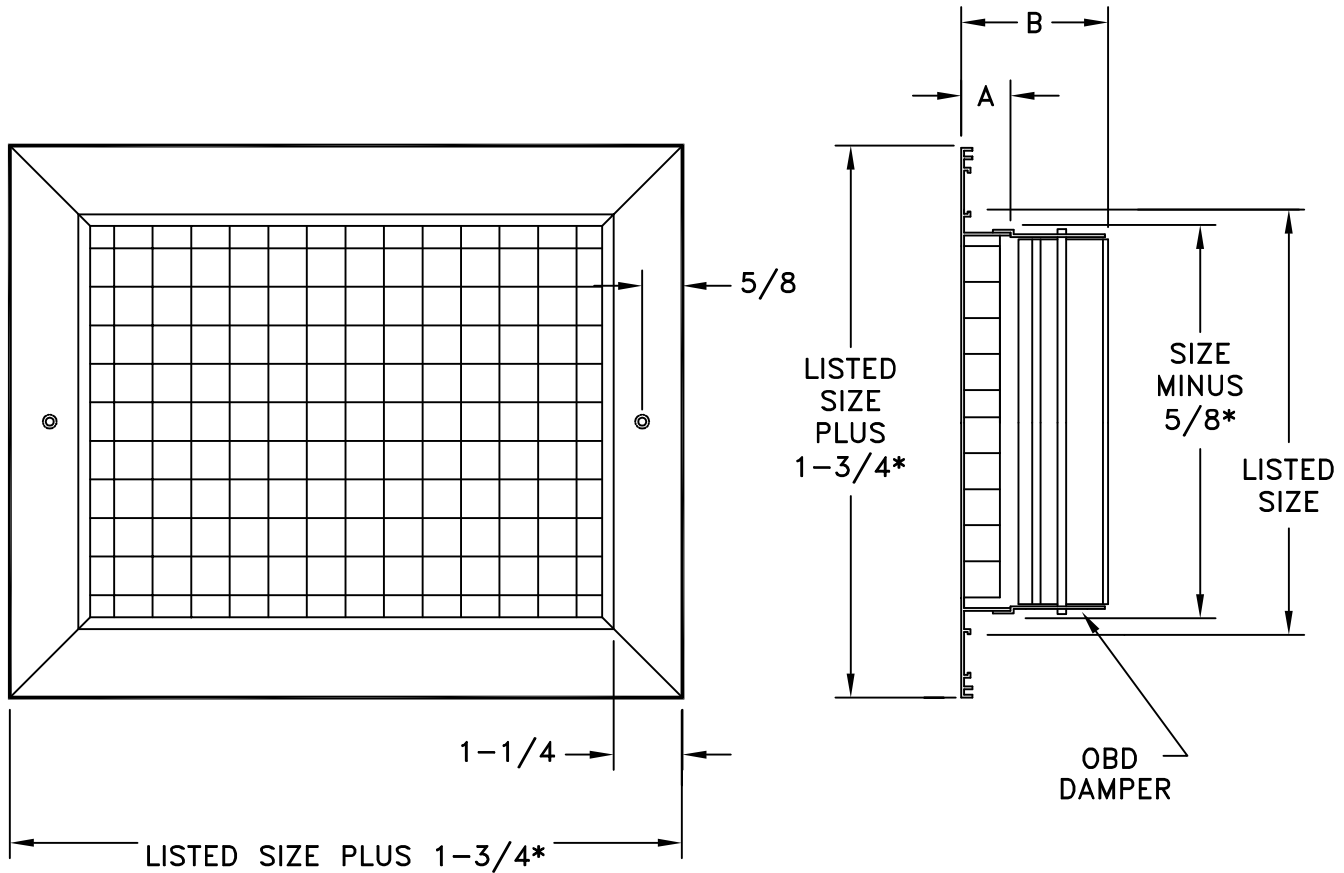
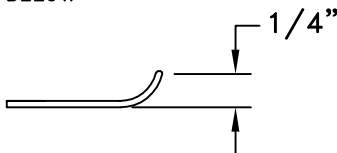


- EXTRUDED ALUMINUM CONSTRUCTION
- MINIMUM SIZE: 6 X 4
- MAXIMUM SIZE: 48 X 48
- FINISH: WHITE (W) ENAMEL OR MILL



### RED5 REGISTER

\*NOTE: RE5 SIZES 6x6, 8x8 10x10, 12x12, 14x14 W/O OBD ARE SIZE PLUS 1-5/8" ON FACE AND SIZE MINUS 7/16" ON CORE AND HAVE THE BEVEL EDGE SHOWN BELOW



MODEL	GRID CORE DIMENSIONS	A	B
RE5	1/2x1/2x1/2	1-1/16	2-3/8
RE510	1/2x1/2x1	1-9/16	2-7/8
RE1	1x1x1	1-9/16	2-7/8

JOB NAME: _____	SUBMITTED BY: _____	DATE: 6/18/2013	SD-9122
LOCATION: _____		<b>RE(D)5, RE(D)510, RE(D)1</b>	
ARCHITECT: _____		Grid Core	
ENGINEER: _____		Extruded Aluminum	
CONTRACTOR: _____		Return Grilles And Registers	