

Tees



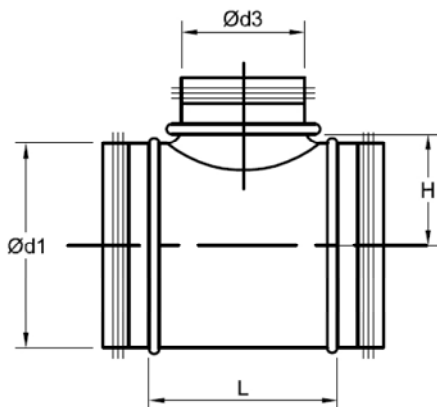
Description

- assembled tee with die-stamped or fabricated PSG
- $L = \text{Ø}d3 + 6''$
- $H = 1''$

Ordering Example

Gasketed, G-3	Type	$\frac{\text{Ø}d_1}{aa}$	$\frac{\text{Ø}d_3}{bb}$
	TCPG		

Nongasketed, G-0	Type	$\frac{\text{Ø}d_1}{aa}$	$\frac{\text{Ø}d_3}{bb}$
	TCP		



TCPG/XCPG



19

Description

- assembled crossing tee with die-stamped or fabricated PSU
- $\text{Ø}d4 \leq \text{Ø}d3$
- $L = \text{Ø}d3 + 6''$
- $H = 1''$

Ordering Example

Gasketed, G-3	Type	$\frac{\text{Ø}d_1}{aa}$	$\frac{\text{Ø}d_3}{bb}$	$\frac{\text{Ø}d_4}{bb}$
	XCPG			

Nongasketed, G-0	Type	$\frac{\text{Ø}d_1}{aa}$	$\frac{\text{Ø}d_3}{bb}$	$\frac{\text{Ø}d_4}{bb}$
	XCP			

