

# Reducers



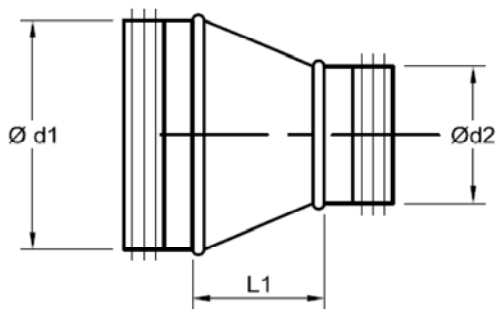
## Description

- fabricated concentric reducer
- L1 = Ød1 - Ød2 (minimum 4")

## Ordering Example

Gasketed, G-3	Type	$\frac{\varnothing d_1}{aa}$	$\frac{\varnothing d_2}{aa}$
	RCLG	aa	aa

Nongasketed, G-0	Type	$\frac{\varnothing d_1}{aa}$	$\frac{\varnothing d_2}{aa}$
	RCL	aa	aa



# RCLG/RLG



15

## Description

- fabricated eccentric reducer
- L1 = Ød1 - Ød2 (minimum 4")

## Ordering Example

Gasketed, G-3	Type	$\frac{\varnothing d_1}{aa}$	$\frac{\varnothing d_2}{aa}$
	RLG	aa	aa

Nongasketed, G-0	Type	$\frac{\varnothing d_1}{aa}$	$\frac{\varnothing d_2}{aa}$
	RL	aa	aa

