

Tees

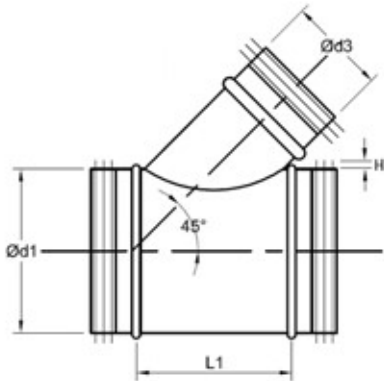
34



Description

45° lateral tee

- $L1 = \text{Ø}d3[1/\sin(a)] + 4"$
- $H = 2.5"$ (constant)(throat height)
- special order: 15°- 30°- 60°
i.e. TVU 15° - aa - bb
- option: 45° lateral cross (model: XVG45)



Order Example

Gustafson G-3
TVG45 - Ød1 -Ød3

Gustafson Nongasketed
TV45 - Ød1 -Ød3

TVG45/TVRG45



Description

45° lateral reducing tee

- $L = \text{Ø}d3[1/\sin(a)] + 4" + (\text{Ø}d1 - \text{Ø}d2)^*$
- $H = 2.5"$ (constant)(throat height)
- option: 45° lateral reducing cross (model: XVRG45)

(*) minimum of 4

Order Example

Gustafson G-3
TVRG45 Ød1-Ød2-Ød3

Gustafson Nongasketed
TVR45 Ød1-Ød2-Ød3