



Cool Quiet Comfort & More

Submittal Data: LIVV12HP230V1A 12000 BTU/H (208/230V) Wall Mounted Heat Pump System

Job Name	Location	Date
Purchaser	Engineer	
Submitted To	For	<input type="checkbox"/> Reference <input type="checkbox"/> Approval <input type="checkbox"/> Construction

Unit Designation _____ Schedule No. _____

- GENERAL FEATURES**
- High Efficiency DC Inverter Technology
 - Compact and Quiet Design
 - Wireless Remote with LCD Display
 - Wi-Fi Ready (Kit Sold Separately) WSBEC04
 - XE71 Wired Controller (Sold Separately)
 - Low Ambient Cool to 0° F
 - Heating down to -4°F
 - Blue Fin Condenser Coil
 - 5 year Limited Parts Warranty



System Ratings

Cooling			
Rated Capacity	Btu/hr		12000
Capacity Range	Btu/hr		1024 - 12624
Power Input (Max)	W		1500
SEER			17
EER			9.25
Heating at 47° F			
Rated Capacity	Btu/hr		13000
Capacity Range	Btu/hr		2388 - 13648
Power Input (Max)	W		1450
HSPF			9
COP			3.25
Heating at 17° F			
Rated Capacity	Btu/hr		7400
Operating Range			
Cooling	(Max)	115	(46 C)
	(Min)	0	(-18 C)
Heating	(Max)	75	(24 C)
	(Min)	-4	(-20 C)

Indoor Unit Data

Fan Motor	Type		Cross-Flow
	Output Power	W	20
	FLA	A	0.31
Airflow		CFM	294 / 271 / 235 / 182
	Turbo / Hi / Med / Lo		
Sound Pressure Level		Clg dB(A)	42 / 39 / 34 / 28
		Htg dB(A)	43 / 39 / 34 / 30
Dehumidification		Pints/hr	2.96

Outdoor Unit Data

Compressor	Type		DC Inverter Driven Rotary
	RLA	A	6.6
Refrigerant Type			R410A
Fan Motor	Output Power	W	30
	FLA	A	0.37
Sound Pressure Level			
	Cooling/Heating	dB(A)	50

Electrical Data

Power Supply			
Normal Operational Voltage		208/230 V, 1 Ph, 60 Hz	
Voltage Range	V		187 - 253
MCA	A		9
MOCP/Breaker Size	A		15
Main Power Wire Size			14-2 AWG

Refrigerant Piping Data

Gas Pipe Size (OD) Flared	in	3/8
Liquid Pipe Size (OD) Flared	in	1/4
Connection Method		Flared
Factory Charge		28.2 oz
Additional Charge		0.2 oz
Pre-Charge Length		25 ft
MAX Refrigerant Pipe Length		66 ft
MIN Refrigerant Pipe Length		10 ft
MAX Refrigerant Pipe Elevation		33 ft



Features & Function Summary**LIVV12HP230V1A**

SYSTEM FEATURES	
Inverter Type	G10
Ultra Low Frequency Torque Control	Yes
Power Factor Correction	Yes
Compressor Type	High Eff. Rotary
Refrigerant Type	R410A
Basepan With Electric Heater	YES
Compressor With Electric Heater	YES
Outdoor Fin Coating	Acrylic-Resin/Anti-Corrosive
Intelligent Defrosting	YES
Force Defrosting	YES
Intelligent Preheating	YES
Low Voltage Startup	YES
Memory/Power Failure Recovery	YES
Self Diagnosis	YES
Wired Controller Interface (XE71)	YES
Wi-Fi Interface Capable (Optional)	WSBEC04
Indoor Fan Type	Crossflow
Multi Fan Speeds	4 Speeds
Indoor Unit Display	YES
Advance Filter	Optional
Auxiliary Electrical Heater	NO
Ventilation (Outdoor Air)	NO

REMOTE CONTROLLER FUNCTIONS	
Auto Mode	YES
Auto Fan	YES
Manual Horizontal Swing	YES
Auto Swing (Vertical Auto Swing)	YES
Clock on Remote Controller	YES
Dry Mode	YES
Dry Anti-Mildew (X-Fan) Mode	YES
Energy Saving Mode	YES
Dirty Filter Alert	NO
I Feel Function	YES
Lock on Remote Controller	YES
Quiet Mode	NO
Room Temperature Display	YES
Sleep Mode	YES
Timer Mode	YES
Turbo Mode	YES
Display On/Off Control	YES
Freeze Guard Mode (46 °F)	YES
Display On/Off Control	YES

EXTENDED RATINGS
LIVV12HP230V1A
COOLING PERFORMANCE (BtuH)*

Outdoor Ambient Temperature (DB)	Indoor Entering Air Temperatures					
	68°F DB		73°F DB		80°F DB	
	57°F FWB		61°F FWB		67°F FWB	
	TC	SHC	TC	SHC	TC	SHC
0°F	4080	2958	5040	3654	6000	4350
5°F	4680	3416	5640	4117	6600	4818
17°F	5280	3881	6240	4586	7200	5292
23°F	5520	4085	6480	4795	7440	5506
32°F	5760	4291	6720	5006	7680	5722
41°F	6480	4860	7440	5580	8400	6300
50°F	7200	5436	8160	6161	9120	6886
57°F	7680	5837	8640	6566	9600	7296
67°F	8040	6151	9000	6885	9960	7619
75°F	10080	7762	11040	8501	12000	9240
86°F	11160	8649	12120	9393	13080	10137
95°F	10080	7862	11040	8611	12000	9360
104°F	8880	6971	9840	7724	10800	8478
113°F	8160	6446	9120	7205	10080	7963
122°F	6960	5533	7920	6296	8880	7060

HEATING PERFORMANCE (BtuH)*

Outdoor Ambient Temperature (DB)	Indoor Entering Air Temperatures								
	68°F DB			70°F DB			80°F DB		
	57°F FWB			60°F FWB			67°F FWB		
	TC	Power Input (KW)	COP	TC	Power Input (KW)	COP	TC	Power Input (KW)	COP
-5°F	5980	938	1.87	6240	958	1.91	6500	977	1.95
0°F	6890	958	2.11	7150	977	2.14	7410	997	2.18
5°F	7280	977	2.18	7540	997	2.22	7800	1017	2.25
10°F	7540	997	2.22	7800	1017	2.25	8060	1038	2.28
17°F	8407	1017	2.42	8667	1038	2.45	8927	1059	2.47
19°F	8840	1038	2.50	9100	1059	2.52	9360	1081	2.54
24°F	10140	1059	2.81	10400	1081	2.82	10660	1103	2.83
32°F	11180	1081	3.03	11440	1103	3.04	11700	1125	3.05
41°F	12090	1103	3.21	12350	1126	3.22	12610	1148	3.22
43°F	12480	1126	3.25	12740	1149	3.25	13000	1172	3.25
47°F	12740	1149	3.25	13000	1172	3.25	13260	1195	3.25
53°F	12870	1183	3.19	13130	1207	3.19	13390	1231	3.19
59°F	13000	1219	3.13	13260	1243	3.13	13520	1268	3.12
64°F	13390	1255	3.13	13650	1281	3.12	13910	1306	3.12
70°F	13780	1293	3.12	14040	1319	3.12	14300	1345	3.11
75°F	14170	1331	3.12	14430	1359	3.11	14690	1386	3.11
78°F	14690	1371	3.14	14950	1399	3.13	15210	1427	3.12

* Maximum system capacity

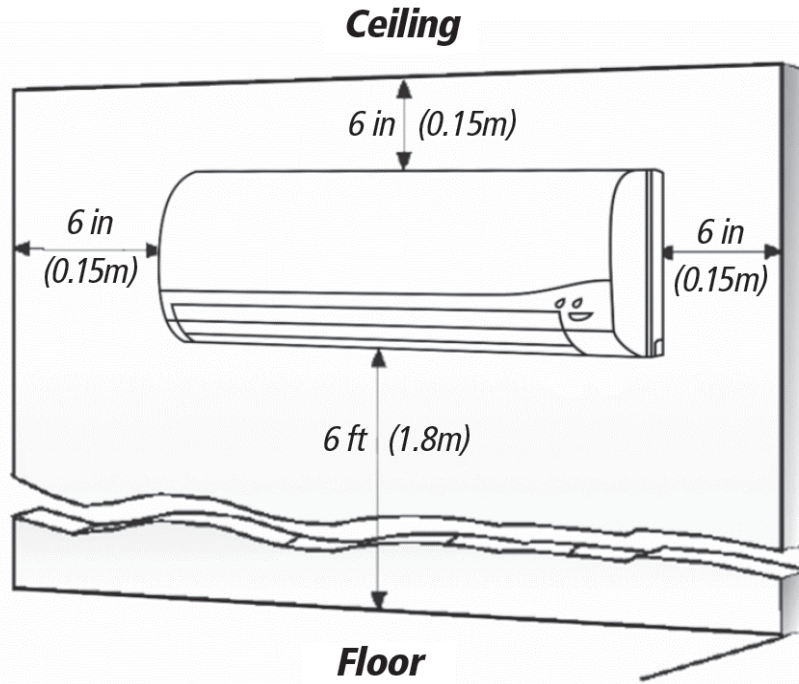
TC- Total Capacity (BtuH)

COP- Coefficient of Performance

MINIMUM SPACING REQUIREMENTS

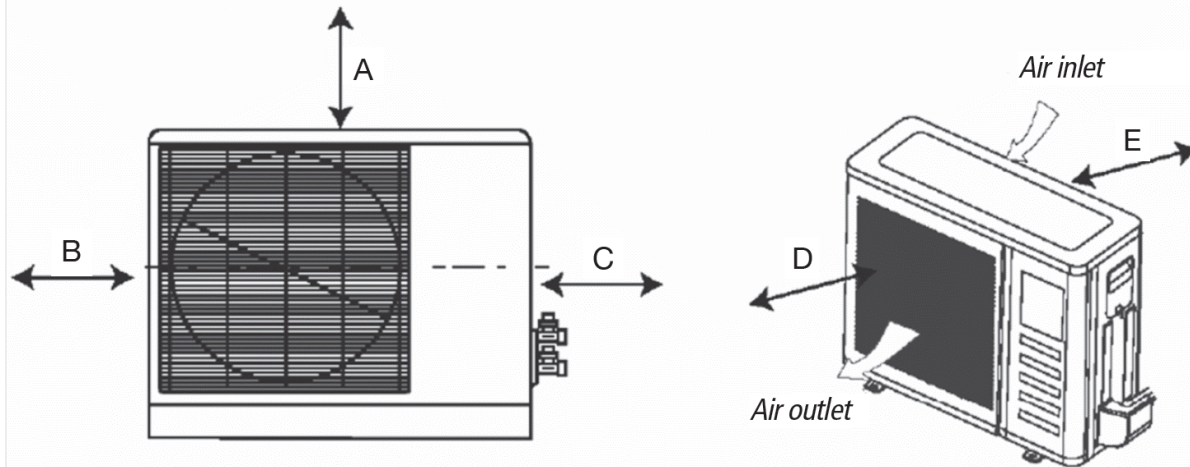
Units: inch (m)

INDOOR



OUTDOOR

Minimum Outdoor Clearances



	Minimum Distance
A	20 (500)
B	12 (305)
C	20 (500)
D	78 (1980)
E	12 (305)

Units: inch (mm)

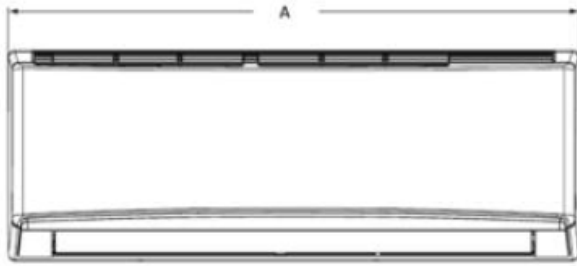
DIMENSIONAL SPECIFICATIONS

LIVV12HP230V1A

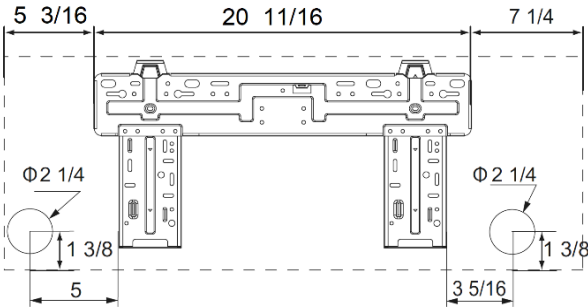
INDOOR UNIT DIMENSIONS

Units: inch

Model No: LIVV12HP230V1AH



Dimensions	
A	33 1/4
B	11 1/4
C	8 3/8



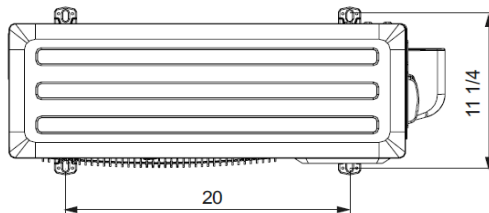
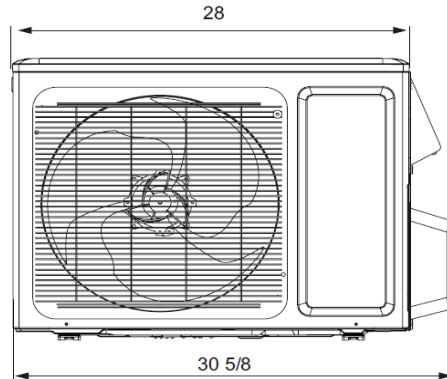
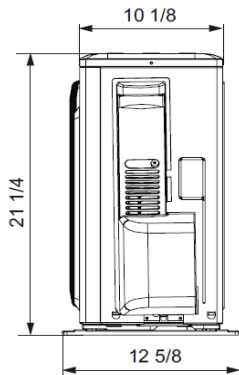
Weight (Net/Gross) 22 / 26.5 lbs

Liquid Line Valve	1/4-in OD Flared
Gas Line Valve	3/8-in OD Flared
Drain Connector	5/8-in OD

OUTDOOR UNIT DIMENSIONS

Units: inch

Model No: LIVV12HP230V1AO



Weight (Net/Gross)

62.8 / 68.4 lbs

Liquid Line Valve	1/4-in OD Flared
Gas Line Valve	3/8-in OD Flared

Notes:

1. Recommended Interconnecting Cable Type 14 AWG 4 Stranded Copper Conductors THHN 600V Wire
2. Power wiring cable size must comply with applicable national and local codes.
3. Test conditions are based on AHRI 210/240.

Specifications are subject to change without notice. Manufacturer reserves the right to discontinue or modify specifications or designs without notice or without incurring obligations. All rights reserved.