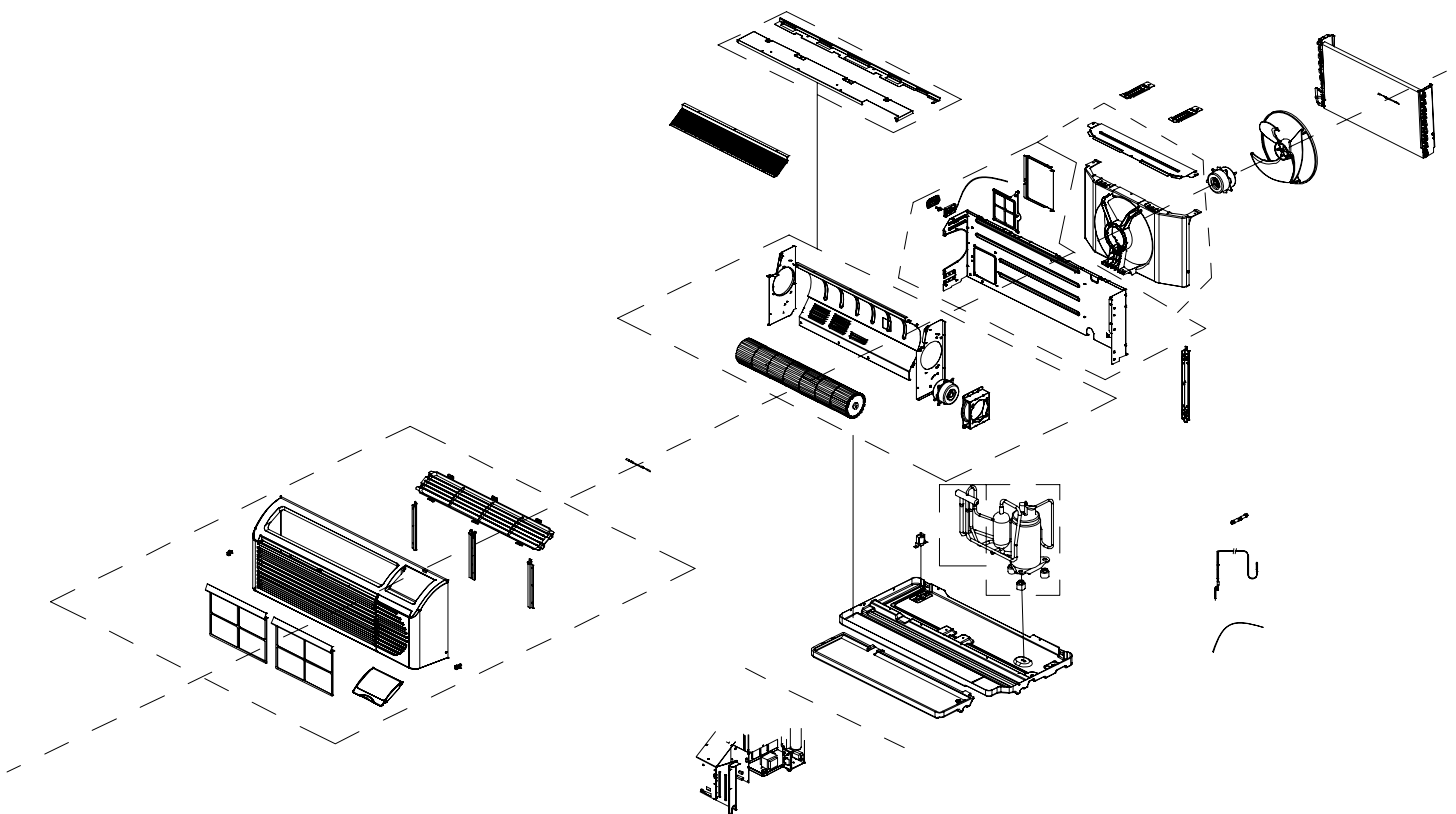


Packaged Terminal Air Conditioner/Heat Pump  
7,000-15,000 Btuh



# E-TAC Series Replacement Parts Catalog

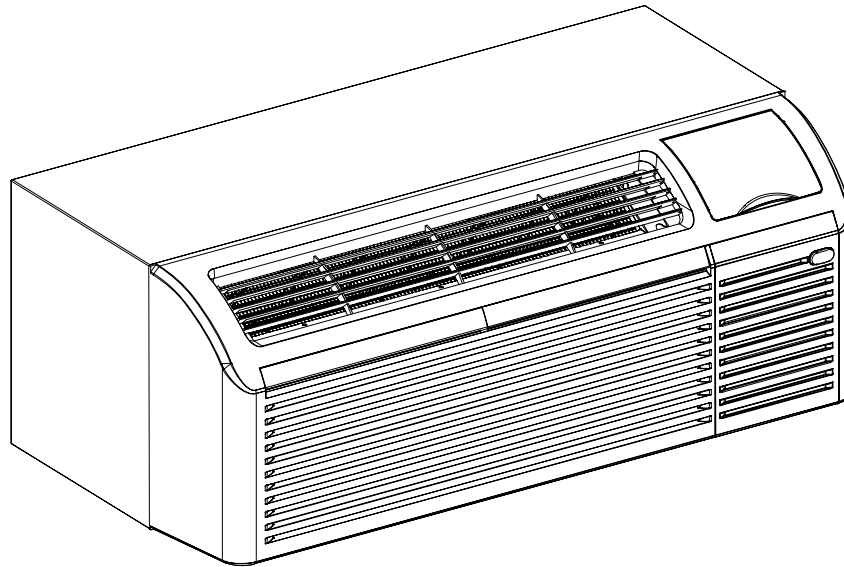


**E-TAC**

# Table of Contents

<b>Model Number</b>	<b>Description. . . . .</b>	<b>Page</b>
ETAC-07HC230V15A	PTAC 7,000 BTU Heat/Cool 208/230 Volt 15 Amp . . . . .	2-3
ETAC-07HC230V20A	PTAC 7,000 BTU Heat/Cool 208/230 Volt 20 Amp . . . . .	4-5
ETAC-09HC230V15A	PTAC 9,000 BTU Heat/Cool 208/230 Volt 15 Amp . . . . .	6-7
ETAC-09HC230V20A	PTAC 9,000 BTU Heat/Cool 208/230 Volt 20 Amp . . . . .	8-9
ETAC-12HC230V15A	PTAC 12,000 BTU Heat/Cool 208/230 Volt 15 Amp . . . . .	10-11
ETAC-12HC230V20A	PTAC 12,000 BTU Heat/Cool 208/230 Volt 20 Amp . . . . .	12-13
ETAC-12HC230V30A	PTAC 12,000 BTU Heat/Cool 208/230 Volt 30 Amp . . . . .	14-15
ETAC-15HC230V20A	PTAC 15,000 BTU Heat/Cool 208/230 Volt 20 Amp . . . . .	16-17
ETAC-15HC230V30A	PTAC 15,000 BTU Heat/Cool 208/230 Volt 30 Amp . . . . .	18-19
ETAC-07HC265V20A	PTAC 7,000 BTU Heat/Cool 265v Volt 20 Amp. . . . .	20-21
ETAC-09HC265V20A	PTAC 9,000 BTU Heat/Cool 265 Volt 20 Amp. . . . .	22-23
ETAC-12HC265V20A	PTAC 12,000 BTU Heat/Cool 265 Volt 20 Amp. . . . .	24-25
ETAC-12HC265V30A	PTAC 12,000 BTU Heat/Cool 265 Volt 30 Amp. . . . .	26-27
ETAC-15HC265V20A	PTAC 15,000 BTU Heat/Cool 265 Volt 20 Amp . . . . .	28-29
ETAC-15HC265V30A	PTAC 15,000 BTU Heat/Cool 265 Volt 30 Amp. . . . .	30-31
ETAC-07HP230V15A	PTAC 7,000 BTU Heat Pump 208/230 Volt 15 Amp . . . . .	32-33
ETAC-07HP230V20A	PTAC 7,000 BTU Heat Pump 208/230 Volt 20 Amp . . . . .	34-35
ETAC-09HP230V15A	PTAC 9,000 BTU Heat Pump 208/230 Volt 15 Amp . . . . .	36-37
ETAC-09HP230V20A	PTAC 9,000 BTU Heat Pump 208/230 Volt 20 Amp . . . . .	38-39
ETAC-12HP230V15A	PTAC 12,000 BTU Heat Pump 208/230 Volt 15 Amp . . . . .	40-41
ETAC-12HP230V20A	PTAC 12,000 BTU Heat Pump 208/230 Volt 20 Amp . . . . .	42-43
ETAC-12HP230V30A	PTAC 12,000 BTU Heat Pump 208/230 Volt 30 Amp . . . . .	44-45
ETAC-15HP230V20A	PTAC 15,000 BTU Heat Pump 208/230 Volt 20 Amp . . . . .	46-47
ETAC-15HP230V30A	PTAC 15,000 BTU Heat Pump 208/230 Volt 30 Amp . . . . .	48-49
ETAC-07HP265V20A	PTAC 7,000 BTU Heat Pump 265 Volt 20 Amp. . . . .	50-51
ETAC-09HP265V20A	PTAC 9,000 BTU Heat Pump 265 Volt 20 Amp . . . . .	52-53
ETAC-12HP265V20A	PTAC 12,000 BTU Heat Pump 265 Volt 20 Amp. . . . .	54-55
ETAC-12HP265V30A	PTAC 12,000 BTU Heat Pump 265 Volt 30 Amp. . . . .	56-57
ETAC-15HP265V20A	PTAC 15,000 BTU Heat Pump 265 Volt 20 Amp . . . . .	58-59
ETAC-15HP265V30A	PTAC 15,000 BTU Heat Pump 265 Volt 30 Amp. . . . .	60-61

# Product Catalog Number-Nomenclature



ETAC 12 HP 230V 20A A

**Series Designation**

ETAC (Engineered Terminal Air Conditioner)

**Cooling Capacity**

07 - 7,000 BTUH  
09 - 9,000 BTUH  
12 - 12,000 BTUH  
15 - 15,000 BTUH

**Model Type**

HP -Heat Pump  
HC - Heat/Cool

**Environmental Protection**

A - Standard Protection  
CP - Sea Coast Protection

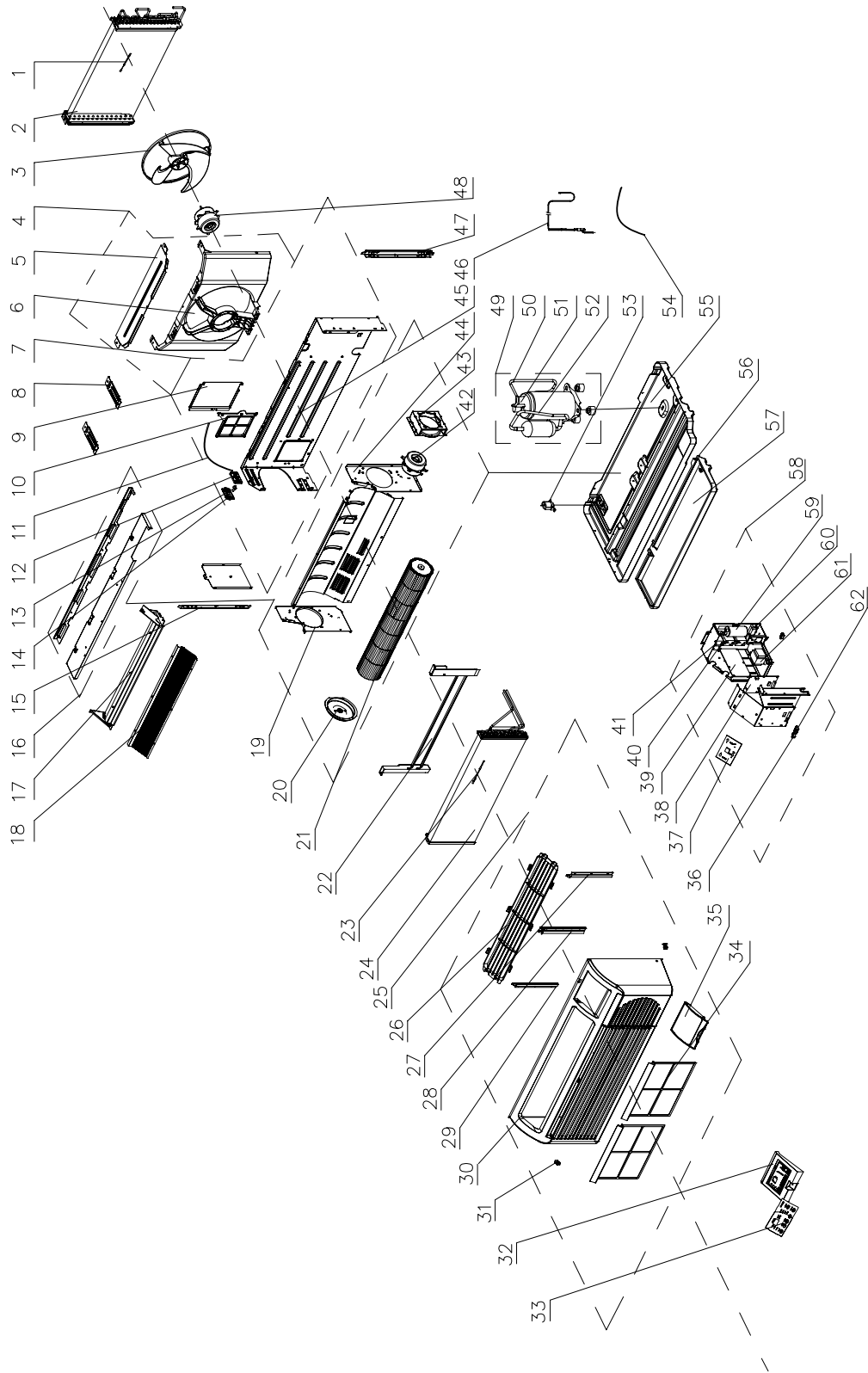
**Electric Heat Capacity**

15A - 2 KW  
20A - 3 KW  
30A - 5 KW

**Electrical Rating**

230 - 208/230V 60Hz  
265 - 265V 60Hz

**7,000 BTU Heat/Cool 208/230 Volt 15 Amp  
Model Number: ETAC-07HC230V15A**

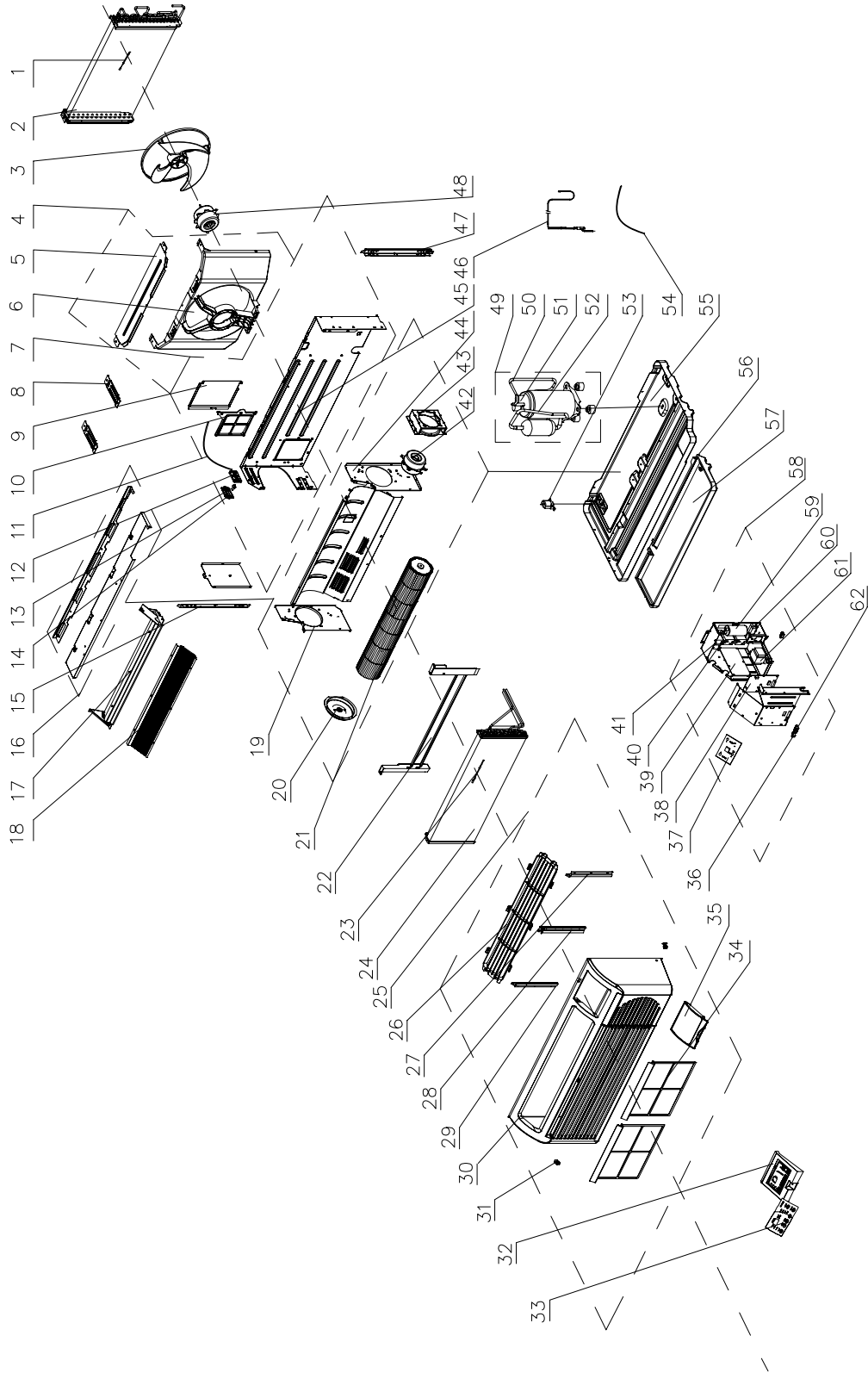


**7,000 BTU Heat/Cool 208/230 Volt 15 Amp  
Model Number: ETAC-07HC230V15A  
Gree Engineering Number: GAE07AB-D3RNB5C**

NO.	Part Code	Part Description	Qty
1	390002073	Outdoor Coil Temperature Sensor	1
2	1101289	Condenser Coil Assy	1
2	1101105	Condenser Coil Assy (CP Models Only)	1
3	10331004	Outdoor Axial Flow Fan Blade	1
4	1037100912	Condenser Shroud	1
5	01251028P	Condenser Shroud Cover	1
6	10371213	Diversion Circle	1
7	1231154	Mid Clapboard Assy	1
8	1381004	Shroud Support Bracket	2
9	1441015	Vent Inlet Door Sub-Assy	1
10	11121213	Vent Air Filter Sub-Assy	1
11	2121014	Vent Door Cable	1
12	26231155	Vent Lever Lower Cover	1
13	26231153	Vent Hand Lever	1
14	26231154	Vent Lever Upper Cover	1
15	1701038	Outer Support Sub-assy(Left)	1
16	1251013	Top Cover Plate Sub-Assy	1
17	02121028P	Helicoid Tongue sub-assy	1
18	1471017	Discharge Air Screen	1
19	02121024P	Left Side Board of Duct	1
20	26151139	Glue Seat of Bearing	1
21	10351002	Indoor Blower Wheel/Cross Flow Fan	1
22	320000204	Electric Heater	1
23	390000596	Indoor Coil Temperature Sensor	1
24	100106601	Evaporator Coil Assy	1
25	2000147503	Front Panel/Assy	1
26	22411023	Discharge Air Grille	1
27	26111139	Indoor Air Filter Supports (right)	1
28	26111140	Indoor Air Filter Supports (center)	1
29	26111141	Indoor Air Filter Supports (left)	1
30	20001673	Front Panel	1
31	2111013	Front Panel Mounting Clips	2
32	2012110802	LCD Cover Sub-Assy	1
33	6306130902	Membrane Keypad	1
34	11121212	Indoor Air Filter	2

NO.	Part Code	Part Description	Qty
35	20121070T	Control Door	1
36	42010037	Wiring Terminal	1
37	30562050	Display Board	1
38	30132043	Main Relay/Power Circuit Board	1
39	30132117	Main Control Board	1
40	33010089	Capacitor	1
41	33010025	Capacitor	1
42	1501180202	Indoor Fan Motor	1
43	01701014P	Motor Support Sub-Assy	1
44	02121023P	Right Side Board of Duct	1
45	01231079P	Mid Clapboard	1
46	3001764	Capillary Sub-assy	1
47	1701039	Outer Mounting Brackets (Right)	1
48	1501180303	Outdoor Fan Motor	1
49	101061	Compressor and Fittings	1
50	3611753	Discharge Tube	1
51	180303	Compressor Overload Protector(External)	1
52	3621923	Suction Tube	1
53	7101001	Drain Valve	1
54	400203631	Power Cord(LCDI)	1
55	0120102601P	Chassis Assy	1
56	12411904	Foam Condensate Tray	1
57	2121012	Heater Insulation Plate	1
58	140198920	Electric Box Assy 1	1
59	33010045	Capacitor CBB65 15uF/450V	1
60	42011103	Terminal Board	1
61	43110270	Transformer	1
62	42010039S	Wiring Terminal	1
Not Shown	01361014P	Baffle Plate	1
Not Shown	1221018	Air Flue Assy	1
Not Shown	3900012123	Indoor Ambient Temperature Sensor	1
Not Shown	22431329	IR Receiver Assy	1
Not Shown	76710223	Compressor Grommets	3
Not Shown	140199002	Electric Box Assy 2	1
Not Shown	30510092MX	Remote Control	1

**7,000 BTU Heat/Cool 208/230 Volt 20 Amp  
Model Number: ETAC-07HC230V20A**

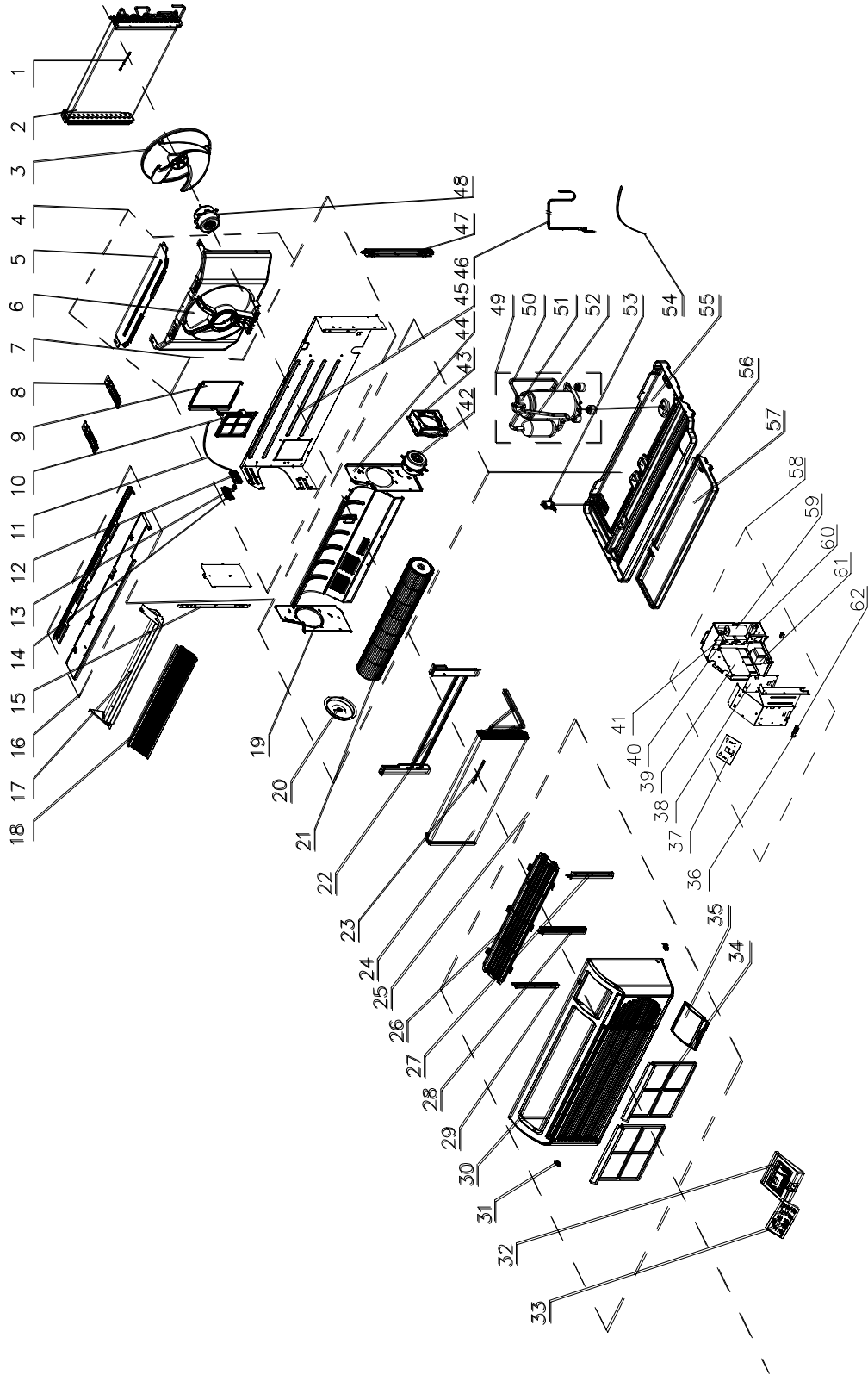


**7,000 BTU Heat/Cool 208/230 Volt 20 Amp  
Model Number: ETAC-07HC230V20A  
Gree Engineering Number: GAE07AB-D3RNB5A**

NO.	Part Code	Part Description	Qty
1	390002073	Outdoor Coil Temperature Sensor	1
2	1101289	Condenser Coil Assy	1
2	1101105	Condenser Coil Assy (CP Models Only)	1
3	10331004	Outdoor Axial Flow Fan Blade	1
4	1037100902	Condenser Shroud	1
5	01251028P	Condenser Shroud Cover	1
6	10371213	Diversion Circle	1
7	1231154	Mid Clapboard Assy	1
8	1381004	Shroud Support Bracket	2
9	1441015	Vent Inlet Door Sub-Assy	1
10	11121213	Vent Air Filter Sub-Assy	1
11	2121014	Vent Door Cable	1
12	26231155	Vent Lever Lower Cover	1
13	26231153	Vent Hand Lever	1
14	26231154	Vent Lever Upper Cover	1
15	1701019	Outer Support Sub-assy(Left)	1
16	1251013	Top Cover Plate Sub-Assy	1
17	02121028P	Helicoid Tongue sub-assy	1
18	1471017	Discharge Air Screen	1
19	02121024P	Left Side Board of Duct	1
20	26151139	Glue Seat of Bearing	1
21	10351002	Indoor Blower Wheel/Cross Flow Fan	1
22	320000201	Electric Heater	1
23	390000596	Indoor Coil Temperature Sensor	1
24	100106601	Evaporator Coil Assy	1
25	2000147503	Front Panel/Assy	1
26	22411023	Discharge Air Grille	1
27	26111139	Indoor Air Filter Supports (right)	1
28	26111140	Indoor Air Filter Supports (center)	1
29	26111141	Indoor Air Filter Supports (left)	1
30	20001673	Front Panel	1
31	2111013	Front Panel Mounting Clips	2
32	2012110802	LCD Cover Sub-Assy	1
33	6306130902	Membrane Keypad	1
34	11121212	Indoor Air Filter	2

NO.	Part Code	Part Description	Qty
35	20121070T	Control Door	1
36	42010037	Wiring Terminal	1
37	30562050	Display Board	1
38	30132043	Main Relay/Power Circuit Board	1
39	30132117	Main Control Board	1
40	33010025	Capacitor	1
41	33010089	Capacitor	1
42	150110343	Indoor Fan Motor	1
43	01701014P	Motor Support Sub-Assy	1
44	02121023P	Right Side Board of Duct	1
45	01231079P	Mid Clapboard	1
46	3001764	Capillary Sub-assy	1
47	1701018	Outer Mounting Brackets (Right)	1
48	1501180202	Outdoor Fan Motor	1
49	101061	Compressor and Fittings	1
50	3611753	Discharge Tube	1
51	180303	Compressor Overload Protector(External)	1
52	3621923	Suction Tube	1
53	7100164	Drain Valve	1
54	400203632	Power Cord(LCDI)	1
55	0120102601P	Chassis Assy	1
56	12411904	Foam Condensate Tray	1
57	2121012	Heater Insulation Plate	1
58	140198911	Electric Box Assy 1	1
59	33010045	Capacitor CBB65 15uF/450V	1
60	42011103	Terminal Board	2
61	43110270	Transformer	1
62	42010039S	Wiring Terminal	1
Not Shown	01361014P	Baffle Plate	1
Not Shown	1221018	Air Flue Assy	1
Not Shown	3900012123	Indoor Ambient Temperature Sensor	1
Not Shown	22431329	IR Receiver Assy	1
Not Shown	76710223	Compressor Grommets	3
Not Shown	140199002	Electric Box Assy 2	1
Not Shown	30510092MX	Remote Control	1

**9,000 BTU Heat/Cool 208/230 Volt 15 Amp  
Model Number: ETAC-09HC230V15A**



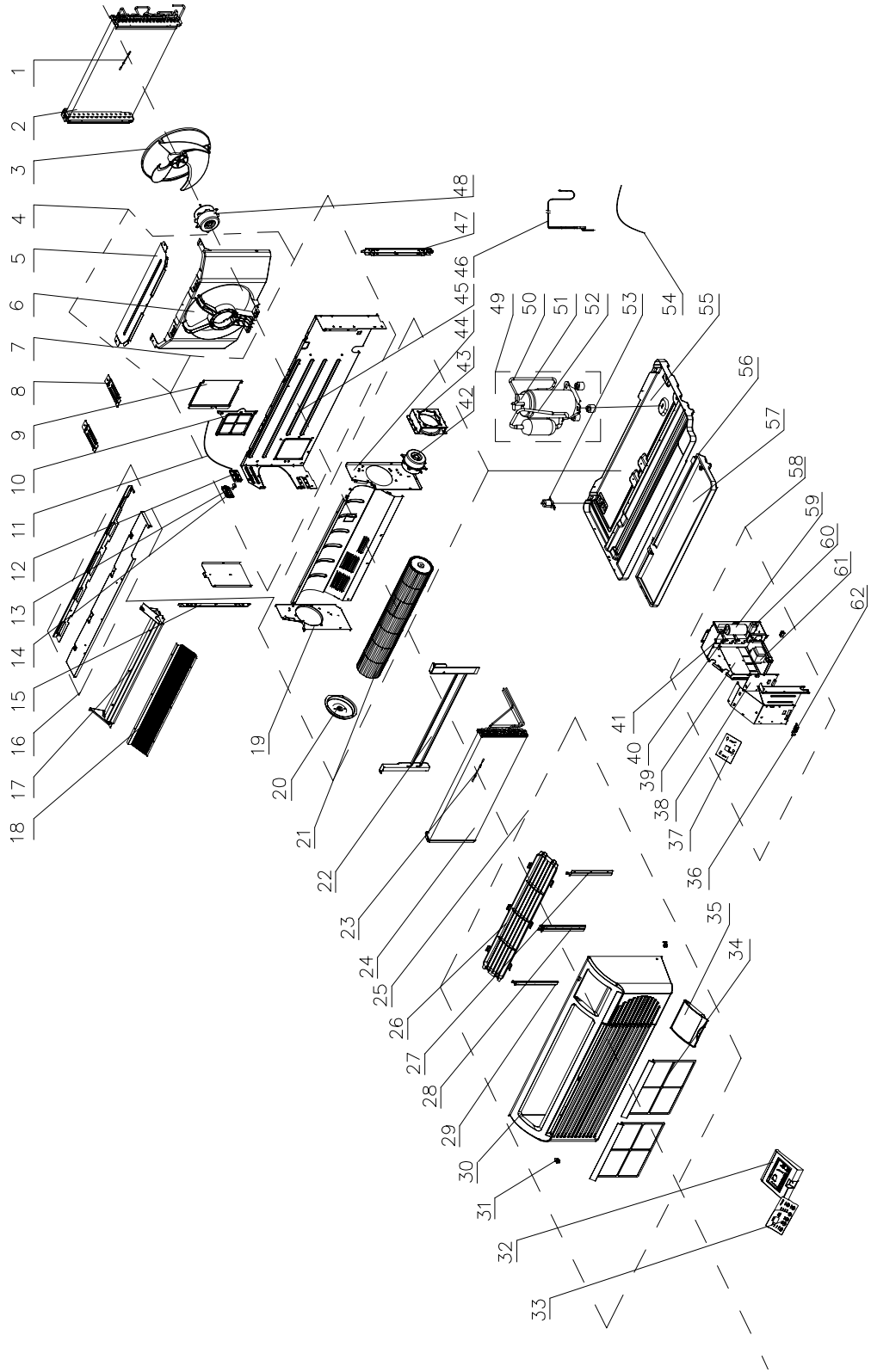


**9,000 BTU Heat/Cool 208/230 Volt 15 Amp  
Model Number: ETAC-09HC230V15A  
Gree Engineering Number: GAE09AB-D3RNB5C**

NO.	Part Code	Part Description	Qty
1	390002073	Outdoor Coil Temperature Sensor	1
2	1101348	Condenser Coil Assy	1
2	1101099	Condenser Coil Assy (CP Models Only)	1
3	10331004	Outdoor Axial Flow Fan Blade	1
4	1037100912	Condenser Shroud	1
5	01251028P	Condenser Shroud Cover	1
6	10371213	Diversion Circle	1
7	1231154	Mid Clapboard Assy	1
8	1381004	Shroud Support Bracket	2
9	1441015	Vent Inlet Door Sub-Assy	1
10	11121213	Vent Air Filter Sub-Assy	1
11	2121014	Vent Door Cable	1
12	26231155	Vent Lever Lower Cover	1
13	26231153	Vent Hand Lever	1
14	26231154	Vent Lever Upper Cover	1
15	1701038	Outer Support Sub-assy(Left)	1
16	1251013	Top Cover Plate Sub-Assy	1
17	02121028P	Helicoid Tongue sub-assy	1
18	1471017	Discharge Air Screen	1
19	02121024P	Left Side Board of Duct	1
20	26151139	Glue Seat of Bearing	1
21	10351002	Indoor Blower Wheel/Cross Flow Fan	1
22	320000204	Electric Heater	1
23	390000596	Indoor Coil Temperature Sensor	1
24	100106001	Evaporator Coil Assy	1
25	2000147503	Front Panel/Assy	1
26	22411023	Discharge Air Grille	1
27	26111139	Indoor Air Filter Supports (right)	1
28	26111140	Indoor Air Filter Supports (center)	1
29	26111141	Indoor Air Filter Supports (left)	1
30	20001673	Front Panel	1
31	2111013	Front Panel Mounting Clips	2
32	2012110802	LCD Cover Sub-Assy	1
33	6306130902	Membrane Keypad	1
34	11121212	Indoor Air Filter	2

NO.	Part Code	Part Description	Qty
35	20121070T	Control Door	1
36	42010037	Wiring Terminal	1
37	30562050	Display Board	1
38	30132043	Main Relay/Power Circuit Board	1
39	30132117	Main Control Board	1
40	33010089	Capacitor	1
41	33010025	Capacitor	1
42	15011802	Indoor Fan Motor	1
43	01701014P	Motor Support Sub-Assy	1
44	02121023P	Right Side Board of Duct	1
45	01231079P	Mid Clapboard	1
46	3001766	Capillary Sub-assy	1
47	1701039	Outer Mounting Brackets (Right)	1
48	1501180303	Outdoor Fan Motor	1
49	101049	Compressor and Fittings	1
50	3611515	Discharge Tube	1
51	built in	Compressor Overload Protector(External)	1
52	3621829	Suction Tube	1
53	7101001	Drain Valve	1
54	400203631	Power Cord(LCDI)	1
55	0120102603P	Chassis Assy	1
56	12411904	Foam Condensate Tray	1
57	2121012	Heater Insulation Plate	1
58	140198922	Electric Box Assy 1	1
59	33000017	Capacitor CBB65 15uF/450V	1
60	42011103	Terminal Board	1
61	43110270	Transformer	1
62	42010039S	Wiring Terminal	1
Not Shown	01361014P	Baffle Plate	1
Not Shown	122101801	Air Flue Assy	1
Not Shown	3900012123	Indoor Ambient Temperature Sensor	1
Not Shown	22431329	IR Receiver Assy	1
Not Shown	76710290	Compressor Grommets	3
Not Shown	140199002	Electric Box Assy 2	1
Not Shown	30510092MX	Remote Control	1

**9,000 BTU Heat/Cool 208/230 Volt 20 Amp  
Model Number: ETAC-09HC230V20A**

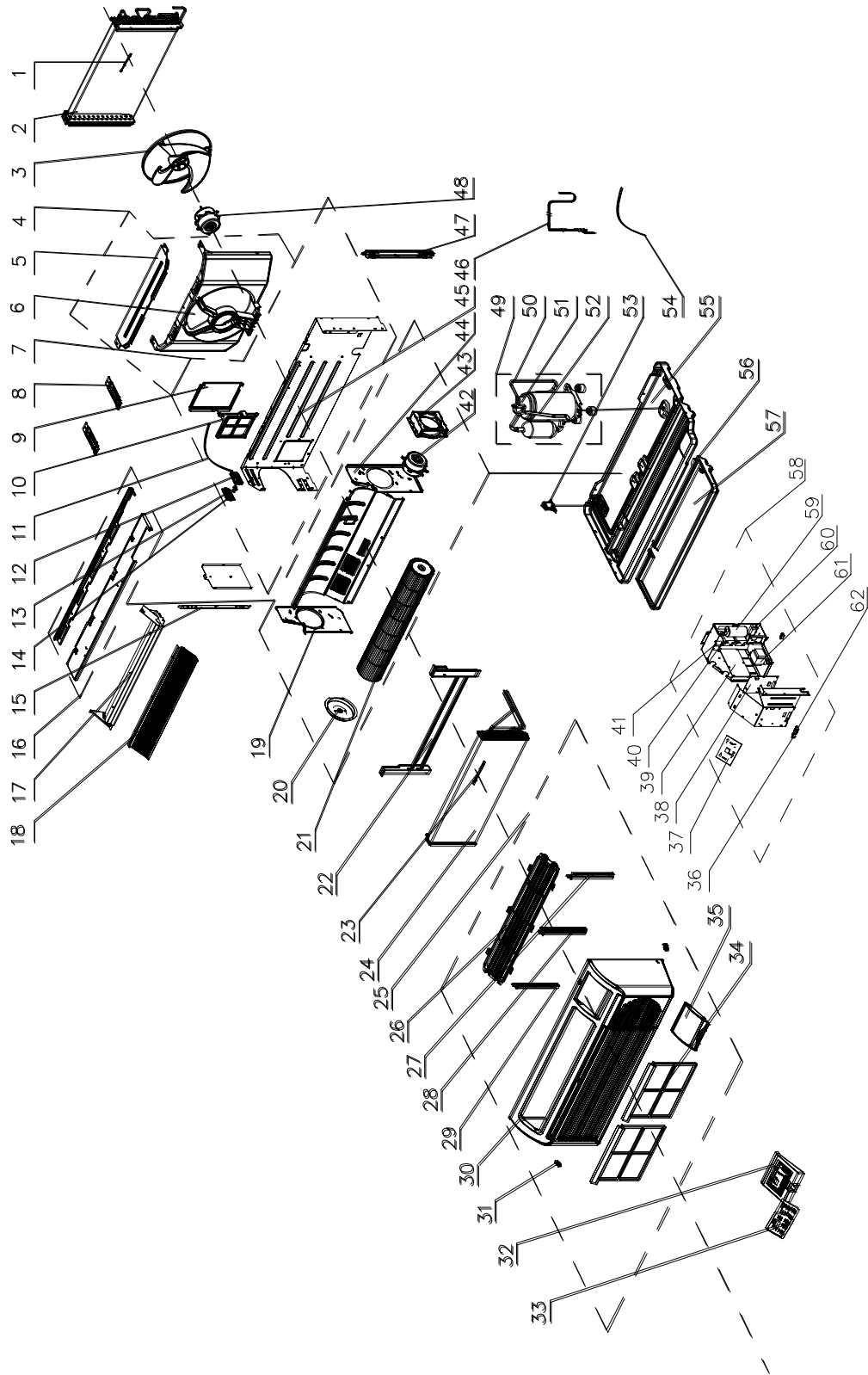


**9,000 BTU Heat/Cool 208/230 Volt 20 Amp  
Model Number: ETAC-09HC230V20A  
Gree Engineering Number: GAE09AB-D3RNB5A**

NO.	Part Code	Part Description	Qty
1	390002073	Outdoor Coil Temperature Sensor	1
2	1101348	Condenser Coil Assy	1
2	1101099	Condenser Coil Assy (CP Models Only)	1
3	10331004	Outdoor Axial Flow Fan Blade	1
4	1037100902	Condenser Shroud	1
5	01251028P	Condenser Shroud Cover	1
6	10371213	Diversion Circle	1
7	1231154	Mid Clapboard Assy	1
8	1381004	Shroud Support Bracket	2
9	1441015	Vent Inlet Door Sub-Assy	1
10	11121213	Vent Air Filter Sub-Assy	1
11	2121014	Vent Door Cable	1
12	26231155	Vent Lever Lower Cover	1
13	26231153	Vent Hand Lever	1
14	26231154	Vent Lever Upper Cover	1
15	1701019	Outer Support Sub-assy(Left)	1
16	1251013	Top Cover Plate Sub-Assy	1
17	02121028P	Helicoid Tongue sub-assy	1
18	1471017	Discharge Air Screen	1
19	02121024P	Left Side Board of Duct	1
20	26151139	Glue Seat of Bearing	1
21	10351002	Indoor Blower Wheel/Cross Flow Fan	1
22	320000201	Electric Heater	1
23	390000596	Indoor Coil Temperature Sensor	1
24	100106001	Evaporator Coil Assy	1
25	2000147503	Front Panel/Assy	1
26	22411023	Discharge Air Grille	1
27	26111139	Indoor Air Filter Supports (right)	1
28	26111140	Indoor Air Filter Supports (center)	1
29	26111141	Indoor Air Filter Supports (left)	1
30	20001673	Front Panel	1
31	2111013	Front Panel Mounting Clips	2
32	2012110802	LCD Cover Sub-Assy	1
33	6306130902	Membrane Keypad	1
34	11121212	Indoor Air Filter	2

NO.	Part Code	Part Description	Qty
35	20121070T	Control Door	1
36	42010037	Wiring Terminal	1
37	30562050	Display Board	1
38	30132043	Main Relay/Power Circuit Board	1
39	30132117	Main Control Board	1
40	33010025	Capacitor	1
41	33010089	Capacitor	1
42	150110343	Indoor Fan Motor	1
43	01701014P	Motor Support Sub-Assy	1
44	02121023P	Right Side Board of Duct	1
45	01231079P	Mid Clapboard	1
46	3001766	Capillary Sub-assy	1
47	1701018	Outer Mounting Brackets (Right)	1
48	15011802	Outdoor Fan Motor	1
49	101049	Compressor and Fittings	1
50	3611515	Discharge Tube	1
51	build-in	Compressor Overload Protector(External)	0
52	3621829	Suction Tube	1
53	7100164	Drain Valve	1
54	400203632	Power Cord(LCDI)	1
55	0120102603P	Chassis Assy	1
56	12411904	Foam Condensate Tray	1
57	2121012	Heater Insulation Plate	1
58	140198913	Electric Box Assy 1	1
59	33000017	Capacitor CBB65 15uF/450V	1
60	42011103	Terminal Board	2
61	43110270	Transformer	1
62	42010039S	Wiring Terminal	1
Not Shown	01361014P	Baffle Plate	1
Not Shown	122101801	Air Flue Assy	1
Not Shown	3900012123	Indoor Ambient Temperature Sensor	1
Not Shown	22431329	IR Receiver Assy	1
Not Shown	76710290	Compressor Grommets	3
Not Shown	140199002	Electric Box Assy 2	1
Not Shown	30510092MX	Remote Control	1

**12,000 BTU Heat/Cool 208/230 Volt 15 Amp  
Model Number: ETAC-12HC230V15A**

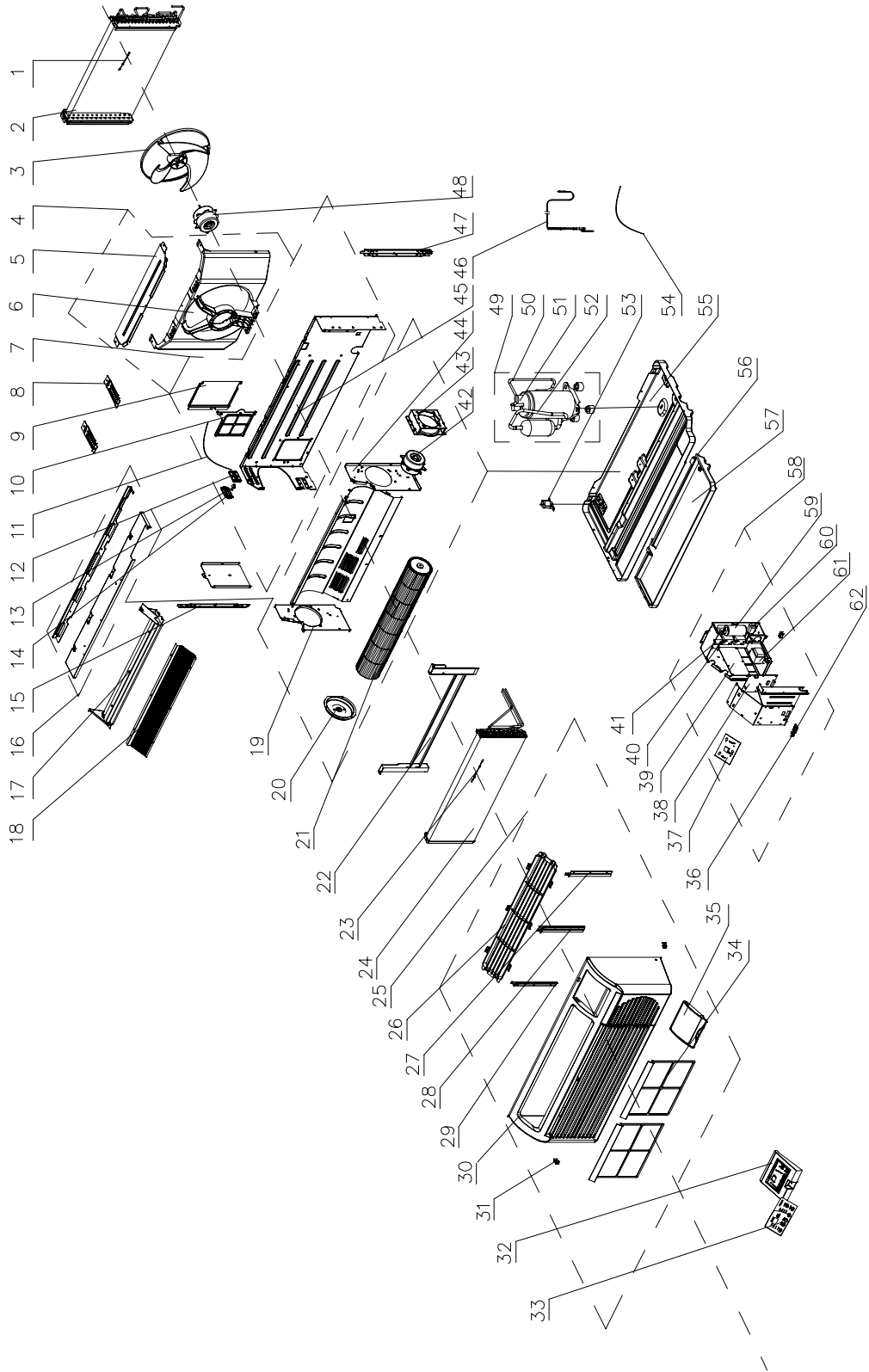


**12,000 BTU Heat/Cool 208/230 Volt 15 Amp  
Model Number: ETAC-12HC230V15A  
Gree Engineering Number: GAE12AB-D3RNB5C**

NO.	Part Code	Part Description	Qty
1	390002073	Outdoor Coil Temperature Sensor	1
2	1101348	Condenser Coil Assy	1
3	1101099	Condenser Coil Assy (CP Models Only)	1
3	10331004	Outdoor Axial Flow Fan Blade	1
4	1037100913	Condenser Shroud	1
5	01251028P	Condenser Shroud Cover	1
6	10371213	Diversion Circle	1
7	1231154	Mid Clapboard Assy	1
8	1381004	Shroud Support Bracket	2
9	1441015	Vent Inlet Door Sub-Assy	1
10	11121213	Vent Air Filter Sub-Assy	1
11	2121014	Vent Door Cable	1
12	26231155	Vent Lever Lower Cover	1
13	26231153	Vent Hand Lever	1
14	26231154	Vent Lever Upper Cover	1
15	1701038	Outer Support Sub-assy(Left)	1
16	1251013	Top Cover Plate Sub-Assy	1
17	02121028P	Helicoid Tongue sub-assy	1
18	1471017	Discharge Air Screen	1
19	02121024P	Left Side Board of Duct	1
20	26151139	Glue Seat of Bearing	1
21	10351002	Indoor Blower Wheel/Cross Flow Fan	1
22	320000204	Electric Heater	1
23	390000596	Indoor Coil Temperature Sensor	1
24	100128501	Evaporator Coil Assy	1
25	2000147503	Front Panel/Assy	1
26	22411023	Discharge Air Grille	1
27	26111139	Indoor Air Filter Supports (right)	1
28	26111140	Indoor Air Filter Supports (center)	1
29	26111141	Indoor Air Filter Supports (left)	1
30	20001673	Front Panel	1
31	2111013	Front Panel Mounting Clips	2
32	2012110802	LCD Cover Sub-Assy	1
33	6306130902	Membrane Keypad	1
34	11121212	Indoor Air Filter	2

NO.	Part Code	Part Description	Qty
35	20121070T	Control Door	1
36	42010037	Wiring Terminal	1
37	30562050	Display Board	1
38	30132043	Main Relay/Power Circuit Board	1
39	30132117	Main Control Board	1
40	33010089	Capacitor	1
41	33010026	Capacitor	1
42	1501180203	Indoor Fan Motor	1
43	01701014P	Motor Support Sub-Assy	1
44	02121023P	Right Side Board of Duct	1
45	01231079P	Mid Clapboard	1
46	3001139	Capillary Sub-assy	1
47	1701039	Outer Mounting Brackets (Right)	1
48	15011803	Outdoor Fan Motor	1
49	101087	Compressor and Fittings	1
50	3611611	Discharge Tube	1
51	181071	Compressor Overload Protector(External)	1
52	3621634	Suction Tube	1
53	7101001	Drain Valve	1
54	400203631	Power Cord(LCDI)	1
55	0120102607P	Chassis Assy	1
56	12411904	Foam Condensate Tray	1
57	2121012	Heater Insulation Plate	1
58	140198924	Electric Box Assy 1	1
59	33000018	Capacitor CBB65 15uF/450V	1
60	42011103	Terminal Board	1
61	43110270	Transformer	1
62	42010039S	Wiring Terminal	1
Not Shown	01361014P	Baffle Plate	1
Not Shown	122101803	Air Flue Assy	1
Not Shown	3900012123	Indoor Ambient Temperature Sensor	1
Not Shown	22431329	IR Receiver Assy	1
Not Shown	76711037	Compressor Grommets	3
Not Shown	140199002	Electric Box Assy 2	1
Not Shown	30510092MX	Remote Control	1

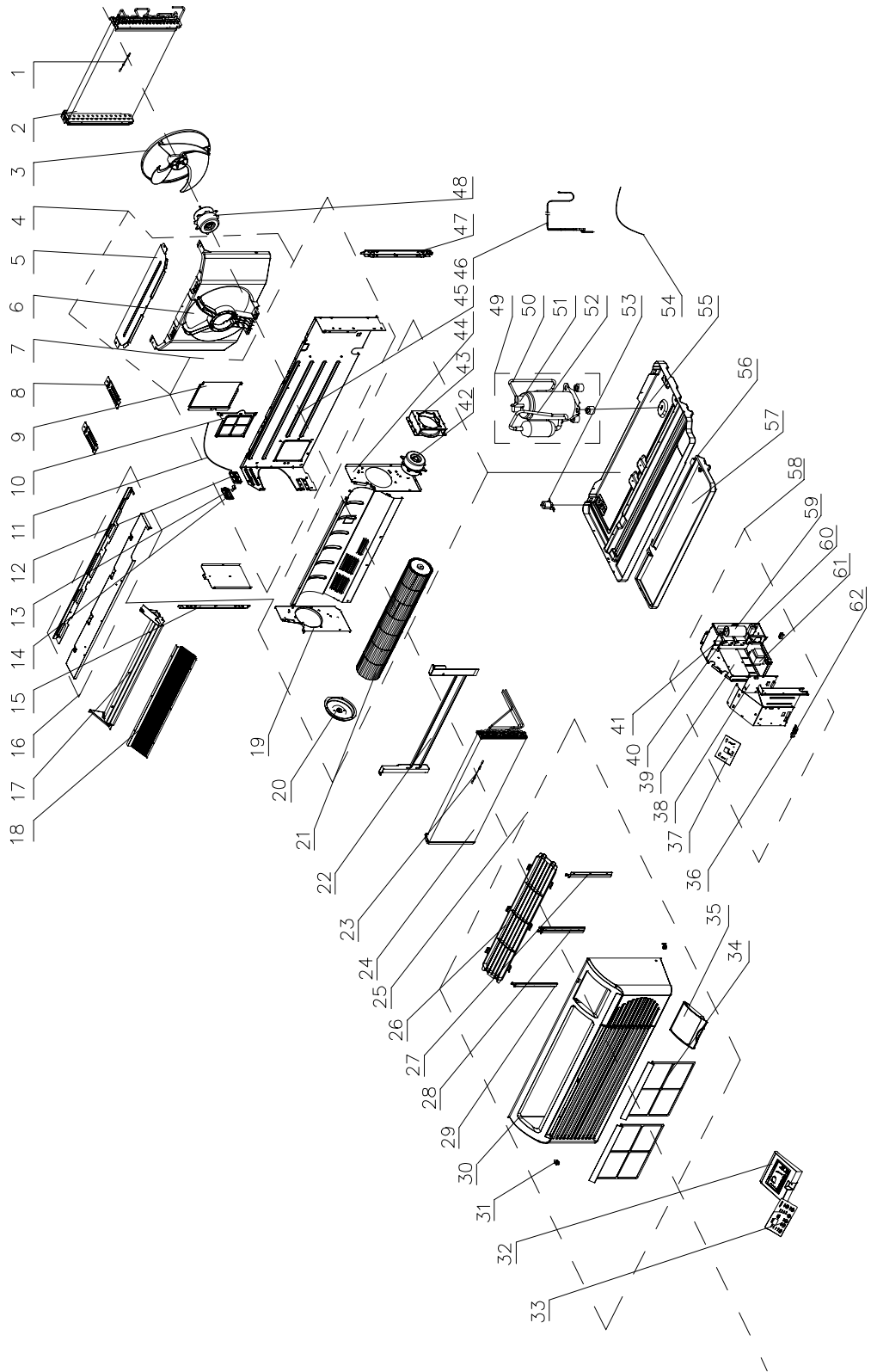
**12,000 BTU Heat/Cool 208/230 Volt 20 Amp  
Model Number: ETAC-12HC230V20A**



**12,000 BTU Heat/Cool 208/230 Volt 20 Amp  
Model Number: ETAC-12HC230V20A  
Gree Engineering Number: GAE12AB-D3RNB5A**

NO.	Part Code	Part Description	Qty	NO.	Part Code	Part Description	Qty
1	390002073	Outdoor Coil Temperature Sensor	1	35	20121070T	Control Door	1
2	1101348	Condenser Coil Assy	1	36	42010037	Wiring Terminal	1
2	1101099	Condenser Coil Assy (CP Models Only)	1	37	30562050	Display Board	1
3	10331004	Outdoor Axial Flow Fan Blade	1	38	30132043	Main Relay/Power Circuit Board	1
4	1037100903	Condenser Shroud	1	39	30132117	Main Control Board	1
5	01251028P	Condenser Shroud Cover	1	40	33010026	Capacitor	1
6	10371213	Diversion Circle	1	41	33010089	Capacitor	1
7	1231154	Mid Clapboard Assy	1	42	15011047	Indoor Fan Motor	1
8	1381004	Shroud Support Bracket	2	43	01701014P	Motor Support Sub-Assy	1
9	1441015	Vent Inlet Door Sub-Assy	1	44	02121023P	Right Side Board of Duct	1
10	11121213	Vent Air Filter Sub-Assy	1	45	01231079P	Mid Clapboard	1
11	2121014	Vent Door Cable	1	46	3001139	Capillary Sub-assy	1
12	26231155	Vent Lever Lower Cover	1	47	1701018	Outer Mounting Brackets (Right)	1
13	26231153	Vent Hand Lever	1	48	1501180203	Outdoor Fan Motor	1
14	26231154	Vent Lever Upper Cover	1	49	101087	Compressor and Fittings	1
15	1701019	Outer Support Sub-assy(Left)	1	50	3611611	Discharge Tube	1
16	1251013	Top Cover Plate Sub-Assy	1	51	181071	Compressor Overload Protector(External)	1
17	02121028P	Helicoid Tongue sub-assy	1	52	3621634	Suction Tube	1
18	1471017	Discharge Air Screen	1	53	7100164	Drain Valve	1
19	02121024P	Left Side Board of Duct	1	54	400203632	Power Cord(LCDI)	1
20	26151139	Glue Seat of Bearing	1	55	0120102607P	Chassis Assy	1
21	10351002	Indoor Blower Wheel/Cross Flow Fan	1	56	12411904	Foam Condensate Tray	1
22	320000201	Electric Heater	1	57	2121012	Heater Insulation Plate	1
23	390000596	Indoor Coil Temperature Sensor	1	58	140198915	Electric Box Assy 1	1
24	100128501	Evaporator Coil Assy	1	59	33000018	Capacitor CBB65 15uF/450V	1
25	2000147503	Front Panel/Assy	1	60	42011103	Terminal Board	2
26	22411023	Discharge Air Grille	1	61	43110270	Transformer	1
27	26111139	Indoor Air Filter Supports (right)	1	62	42010039S	Wiring Terminal	1
28	26111140	Indoor Air Filter Supports (center)	1	Not Shown	01361014P	Baffle Plate	1
29	26111141	Indoor Air Filter Supports (left)	1	Not Shown	122101803	Air Flue Assy	1
30	20001673	Front Panel	1	Not Shown	3900012123	Indoor Ambient Temperature Sensor	1
31	2111013	Front Panel Mounting Clips	2	Not Shown	22431329	IR Receiver Assy	1
32	2012110802	LCD Cover Sub-Assy	1	Not Shown	76711037	Compressor Grommets	3
33	6306130902	Membrane Keypad	1	Not Shown	140199002	Electric Box Assy 2	1
34	11121212	Indoor Air Filter	2	Not Shown	30510092MX	Remote Control	1

**12,000 BTU Heat/Cool 208/230 Volt 30 Amp  
Model Number: ETAC-12HC230V30A**

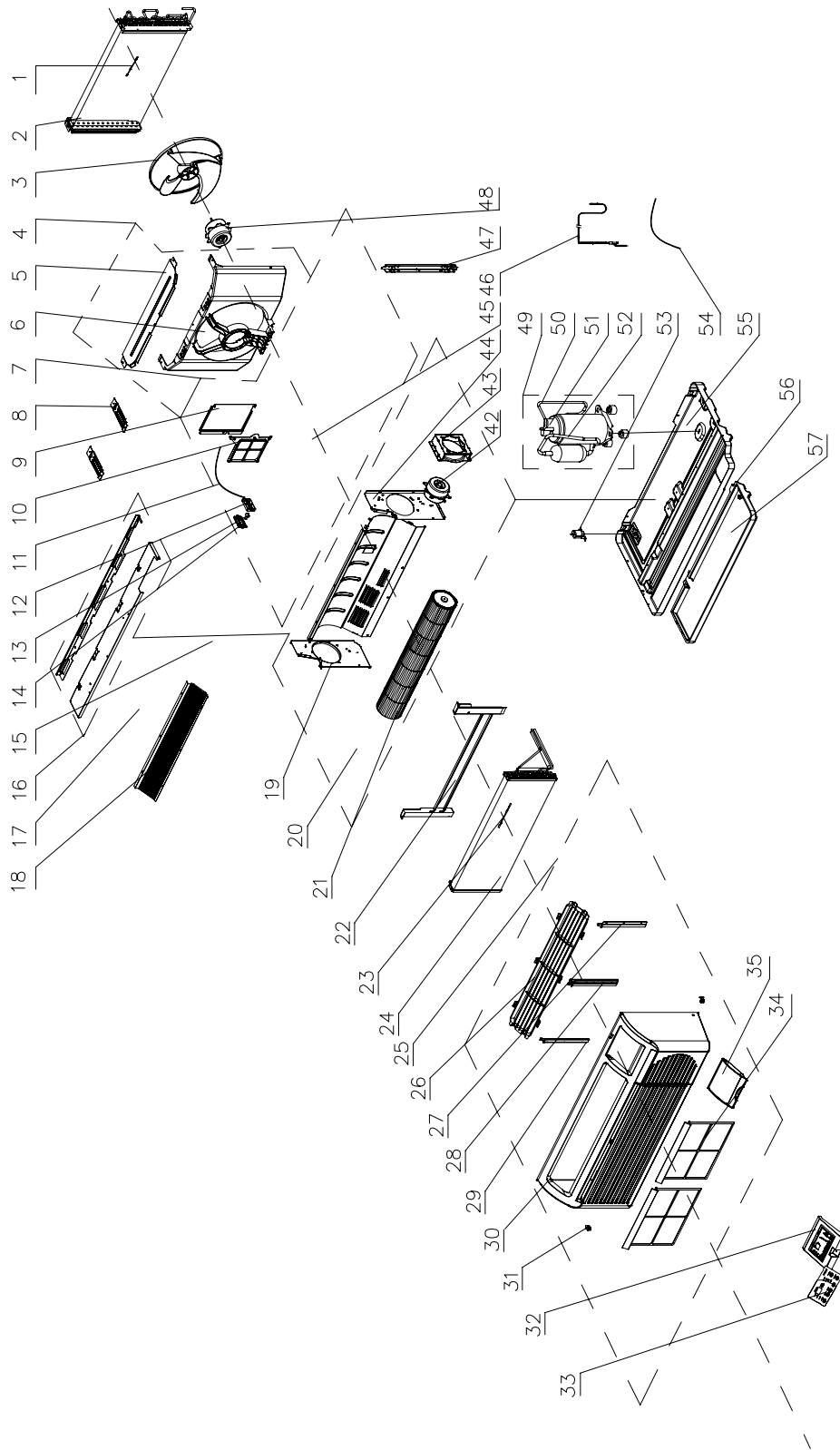




**12,000 BTU Heat/Cool 208/230 Volt 30 Amp  
Model Number: ETAC-12HC230V30A  
Gree Engineering Number: GAE12AB-D3RNB5B**

NO.	Part Code	Part Description	Qty	NO.	Part Code	Part Description	Qty
1	390002073	Outdoor Coil Temperature Sensor	1	35	20121070T	Control Door	1
2	1101348	Condenser Coil Assy	1	36	42010037	Wiring Terminal	1
2	1101099	Condenser Coil Assy (CP Models Only)	1	37	30562050	Display Board	1
3	10331004	Outdoor Axial Flow Fan Blade	1	38	30132072	Main Relay/Power Circuit Board	1
4	1037100903	Condenser Shroud	1	39	30132117	Main Control Board	1
5	01251028P	Condenser Shroud Cover	1	40	33010026	Capacitor	1
6	10371213	Diversion Circle	1	41	33010089	Capacitor	1
7	1231154	Mid Clapboard Assy	1	42	15011047	Indoor Fan Motor	1
8	1381004	Shroud Support Bracket	2	43	01701014P	Motor Support Sub-Assy	1
9	1441015	Vent Inlet Door Sub-Assy	1	44	02121023P	Right Side Board of Duct	1
10	11121213	Vent Air Filter Sub-Assy	1	45	01231079P	Mid Clapboard	1
11	2121014	Vent Door Cable	1	46	3001139	Capillary Sub-assy	1
12	26231155	Vent Lever Lower Cover	1	47	1701018	Outer Mounting Brackets (Right)	1
13	26231153	Vent Hand Lever	1	48	1501180203	Outdoor Fan Motor	1
14	26231154	Vent Lever Upper Cover	1	49	101087	Compressor and Fittings	1
15	1701019	Outer Support Sub-assy(Left)	1	50	3611611	Discharge Tube	1
16	1251013	Top Cover Plate Sub-Assy	1	51	181071	Compressor Overload Protector(External)	1
17	02121028P	Helicoid Tongue sub-assy	1	52	3621634	Suction Tube	1
18	1471017	Discharge Air Screen	1	53	7100164	Drain Valve	1
19	02121024P	Left Side Board of Duct	1	54	4002056001	Power Cord(LCDI)	1
20	26151139	Glue Seat of Bearing	1	55	0120102607P	Chassis Assy	1
21	10351002	Indoor Blower Wheel/Cross Flow Fan	1	56	12411904	Foam Condensate Tray	1
22	32000002	Electric Heater	1	57	2121012	Heater Insulation Plate	1
23	390000596	Indoor Coil Temperature Sensor	1	58	140198917	Electric Box Assy 1	1
24	100128501	Evaporator Coil Assy	1	59	33000018	Capacitor CBB65 15uF/450V	1
25	2000147503	Front Panel/Assy	1	60	42011103	Terminal Board	2
26	22411023	Discharge Air Grille	1	61	43110270	Transformer	1
27	26111139	Indoor Air Filter Supports (right)	1	62	42010039S	Wiring Terminal	1
28	26111140	Indoor Air Filter Supports (center)	1	Not Shown	01361014P	Baffle Plate	1
29	26111141	Indoor Air Filter Supports (left)	1	Not Shown	122101803	Air Flue Assy	1
30	20001673	Front Panel	1	Not Shown	3900012123	Indoor Ambient Temperature Sensor	1
31	2111013	Front Panel Mounting Clips	2	Not Shown	22431329	IR Receiver Assy	1
32	2012110802	LCD Cover Sub-Assy	1	Not Shown	76711037	Compressor Grommets	3
33	6306130902	Membrane Keypad	1	Not Shown	140199002	Electric Box Assy 2	1
34	11121212	Indoor Air Filter	2	Not Shown	30510092MX	Remote Control	1

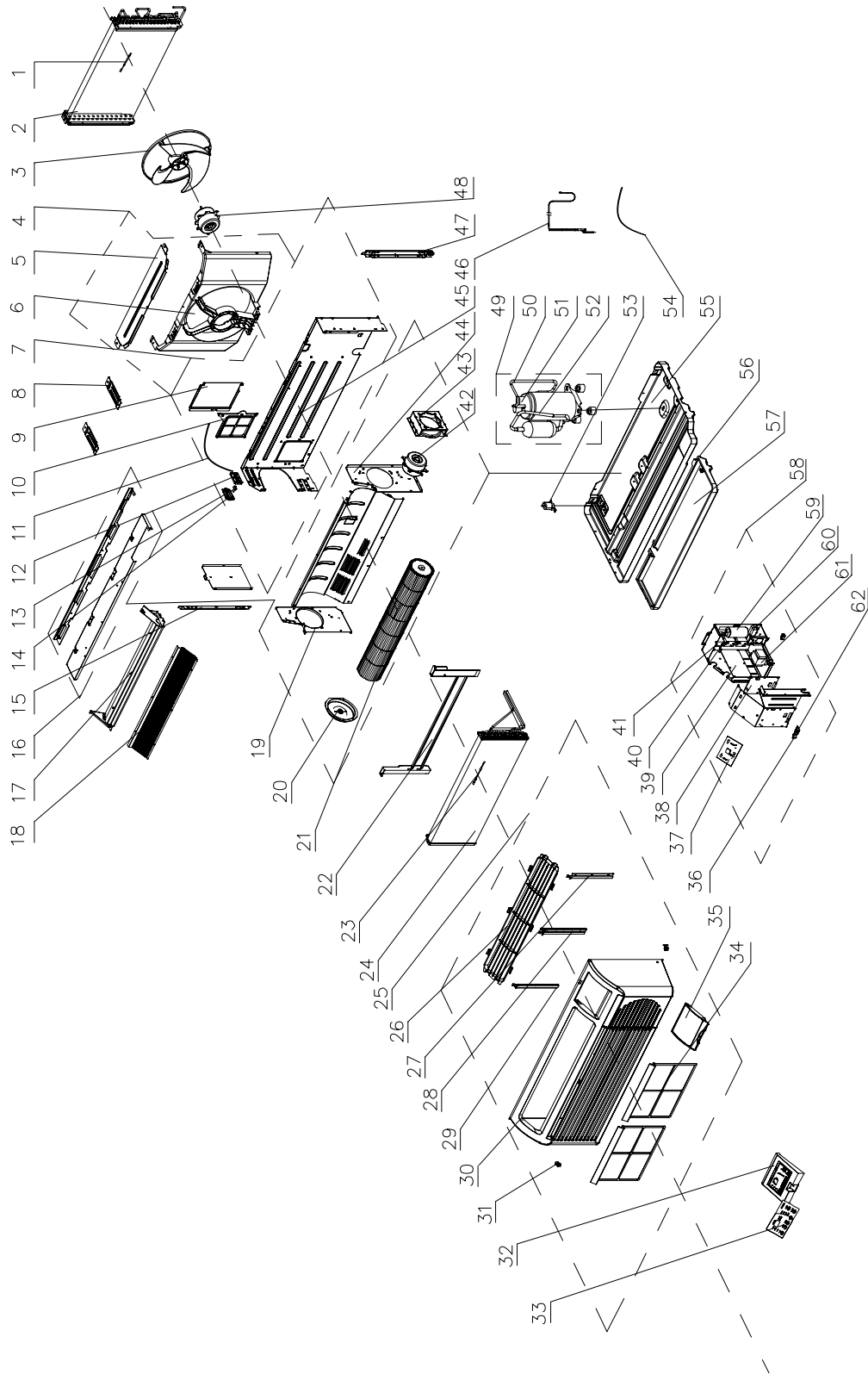
**15,000 BTU Heat/Cool 208/230 Volt 20 Amp  
Model Number: ETAC-15HC230V20A**



**15,000 BTU Heat/Cool 208/230 Volt 20 Amp  
Model Number: ETAC-15HC230V20A  
Gree Engineering Number: GAE15AB-D3RNB5A**

NO.	Part Code	Part Description	Qty	NO.	Part Code	Part Description	Qty
1	390002073	Outdoor Coil Temperature Sensor	1	35	20121070T	Control Door	1
2	1101191	Condenser Coil Assy	1	36	42010037	Wiring Terminal	1
2	110119102	Condenser Coil Assy (CP Models Only)	1	37	30562050	Display Board	1
3	10331004	Outdoor Axial Flow Fan Blade	1	38	30132043	Main Relay/Power Circuit Board	1
4	1037100903	Condenser Shroud	1	39	30132117	Main Control Board	1
5	01251028P	Condenser Shroud Cover	1	40	33010026	Capacitor	1
6	10371213	Diversioin Circle	1	41	3300008108	Capacitor	1
7	1231154	Mid Clapboard Assy	1	42	1501180203	Indoor Fan Motor	1
8	1381004	Shroud Support Bracket	2	43	01701014P	Motor Support Sub-Assy	1
9	1441015	Vent Inlet Door Sub-Assy	1	44	02121023P	Right Side Board of Duct	1
10	11121213	Vent Air Filter Sub-Assy	1	45	01231079P	Mid Clapboard	1
11	2121014	Vent Door Cable	1	46	3001341	Capillary Sub-assy	1
12	26231155	Vent Lever Lower Cover	1	47	1701038	Outer Mounting Brackets (Right)	1
13	26231153	Vent Hand Lever	1	48	15011047	Outdoor Fan Motor	1
14	26231154	Vent Lever Upper Cover	1	49	101085	Compressor and Fittings	1
15	1701039	Outer Support Sub-assy(Left)	1	50	3611432	Discharge Tube	1
16	1251013	Top Cover Plate Sub-Assy	1	51	180326	Compressor Overload Protector(External)	1
17	02121028P	Helicoid Tongue sub-assy	1	52	3621354	Suction Tube	1
18	1471017	Discharge Air Screen	1	53	7101001	Drain Valve	1
19	02121024P	Left Side Board of Duct	1	54	400203632	Power Cord(LCDI)	1
20	26151139	Glue Seat of Bearing	1	55	01201026P	Chassis Assy	1
21	10351002	Indoor Blower Wheel/Cross Flow Fan	1	56	12411904	Foam Condensate Tray	1
22	320000201	Electric Heater	1	57	2121012	Heater Insulation Plate	1
23	390000596	Indoor Coil Temperature Sensor	1	58	2601023	Electric Box Assy 1	1
24	100128501	Evaporator Coil Assy	1	59	33010089	Capacitor CBB65 15uF/450V	1
25	2000147503	Front Panel/Assy	1	60	42011103	Terminal Board	2
26	22411023	Discharge Air Grille	1	61	43110270	Transformer	1
27	26111139	Indoor Air Filter Supports (right)	1	62	42010039S	Wiring Terminal	1
28	26111140	Indoor Air Filter Supports (center)	1	Not Shown	01361014P	Baffle Plate	1
29	26111141	Indoor Air Filter Supports (left)	1	Not Shown	122101803	Air Flue Assy	1
30	20001673	Front Panel	1	Not Shown	3900012123	Indoor Ambient Temperature Sensor	1
31	2111013	Front Panel Mounting Clips	2	Not Shown	22431329	IR Receiver Assy	1
32	2012110802	LCD Cover Sub-Assy	1	Not Shown	76710216	Compressor Grommets	3
33	6306130902	Membrane Keypad	1	Not Shown	140199002	Electric Box Assy 2	1
34	11121212	Indoor Air Filter	2	Not Shown	30510092MX	Remote Control	1

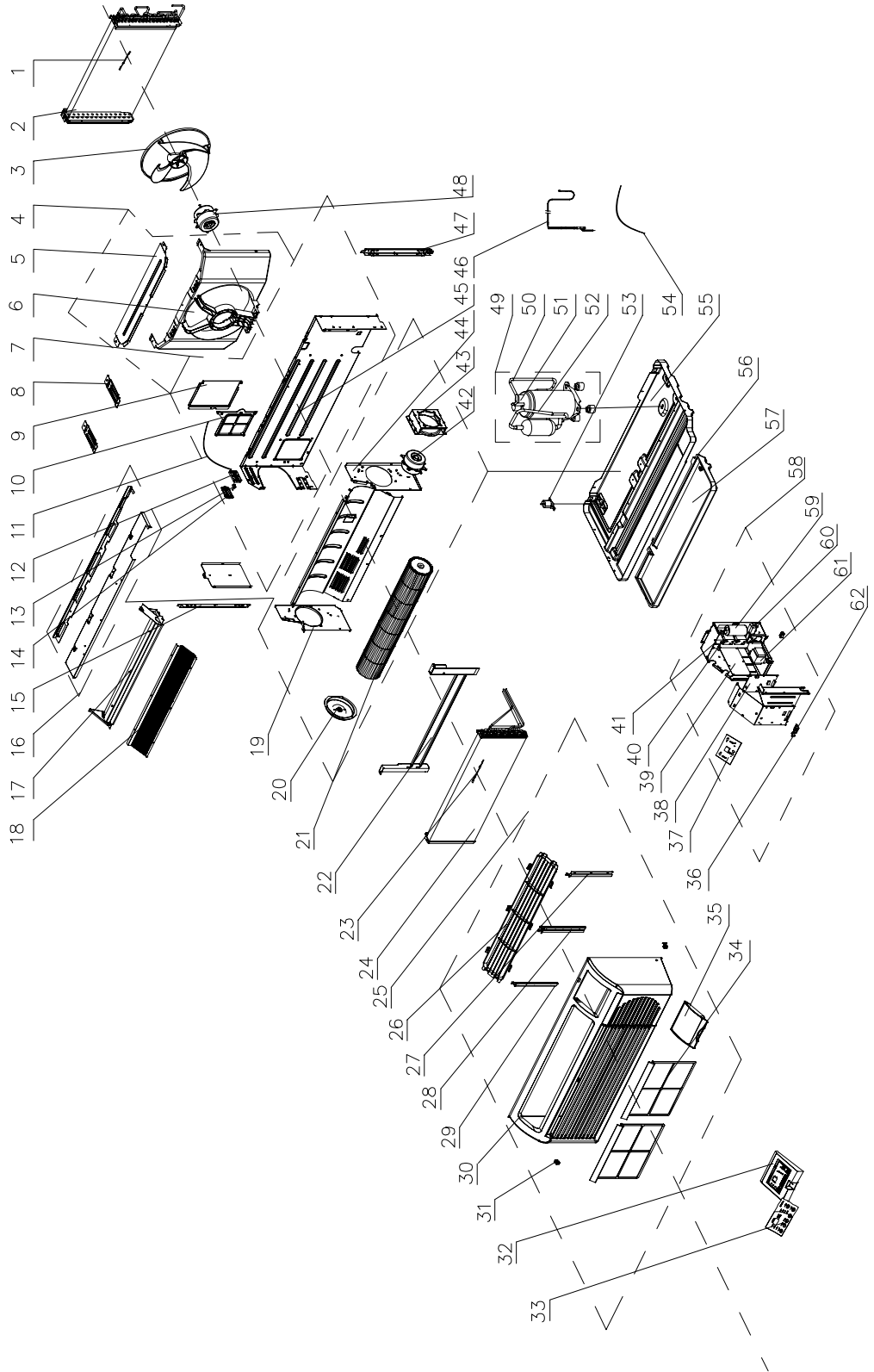
**15,000 BTU Heat/Cool208/230 Volt 30 Amp  
Model Number: ETAC-15HC230V30A**



**15,000 BTU Heat/Cool208/230 Volt 30 Amp  
Model Number: ETAC-15HC230V30A  
Gree Engineering Number: GAE15AB-D3RNB5B**

NO.	Part Code	Part Description	Qty	NO.	Part Code	Part Description	Qty
1	390002073	Outdoor Coil Temperature Sensor	1	35	20121070T	Control Door	1
2	1101191	Condenser Coil Assy	1	36	42010037	Wiring Terminal	1
2	110119102	Condenser Coil Assy (CP Models Only)	1	37	30562050	Display Board	1
3	10331004	Outdoor Axial Flow Fan Blade	1	38	30132072	Main Relay/Power Circuit Board	1
4	1037100903	Condenser Shroud	1	39	30132117	Main Control Board	1
5	01251028P	Condenser Shroud Cover	1	40	33010026	Capacitor	1
6	10371213	Diversion Circle	1	41	33010089	Capacitor	1
7	1231154	Mid Clapboard Assy	1	42	15011047	Indoor Fan Motor	1
8	1381004	Shroud Support Bracket	2	43	01701014P	Motor Support Sub-Assy	1
9	1441015	Vent Inlet Door Sub-Assy	1	44	02121023P	Right Side Board of Duct	1
10	11121213	Vent Air Filter Sub-Assy	1	45	01231079P	Mid Clapboard	1
11	2121014	Vent Door Cable	1	46	3001341	Capillary Sub-assy	1
12	26231155	Vent Lever Lower Cover	1	47	1701018	Outer Mounting Brackets (Right)	1
13	26231153	Vent Hand Lever	1	48	1501180203	Outdoor Fan Motor	1
14	26231154	Vent Lever Upper Cover	1	49	101085	Compressor and Fittings	1
15	1701019	Outer Support Sub-assy(Left)	1	50	3611432	Discharge Tube	1
16	1251013	Top Cover Plate Sub-Assy	1	51	180326	Compressor Overload Protector(External)	1
17	02121028P	Helicoid Tongue sub-assy	1	52	3621354	Suction Tube	1
18	1471017	Discharge Air Screen	1	53	7100164	Drain Valve	1
19	02121024P	Left Side Board of Duct	1	54	4002056001	Power Cord(LCDI)	1
20	26151139	Glue Seat of Bearing	1	55	01201026P	Chassis Assy	1
21	10351002	Indoor Blower Wheel/Cross Flow Fan	1	56	12411904	Foam Condensate Tray	1
22	32000002	Electric Heater	1	57	2121012	Heater Insulation Plate	1
23	390000596	Indoor Coil Temperature Sensor	1	58	140198919	Electric Box Assy 1	1
24	100128501	Evaporator Coil Assy	1	59	33000045	Capacitor CBB65 15uF/450V	1
25	2000147503	Front Panel/Assy	1	60	42011103	Terminal Board	2
26	22411023	Discharge Air Grille	1	61	43110270	Transformer	1
27	26111139	Indoor Air Filter Supports (right)	1	62	42010039S	Wiring Terminal	1
28	26111140	Indoor Air Filter Supports (center)	1	Not Shown	01361014P	Baffle Plate	1
29	26111141	Indoor Air Filter Supports (left)	1	Not Shown	122101803	Air Flue Assy	1
30	20001673	Front Panel	1	Not Shown	3900012123	Indoor Ambient Temperature Sensor	1
31	2111013	Front Panel Mounting Clips	2	Not Shown	22431329	IR Receiver Assy	1
32	2012110802	LCD Cover Sub-Assy	1	Not Shown	76710216	Compressor Grommets	3
33	6306130902	Membrane Keypad	1	Not Shown	140199002	Electric Box Assy 2	1
34	11121212	Indoor Air Filter	2	Not Shown	30510092MX	Remote Control	1

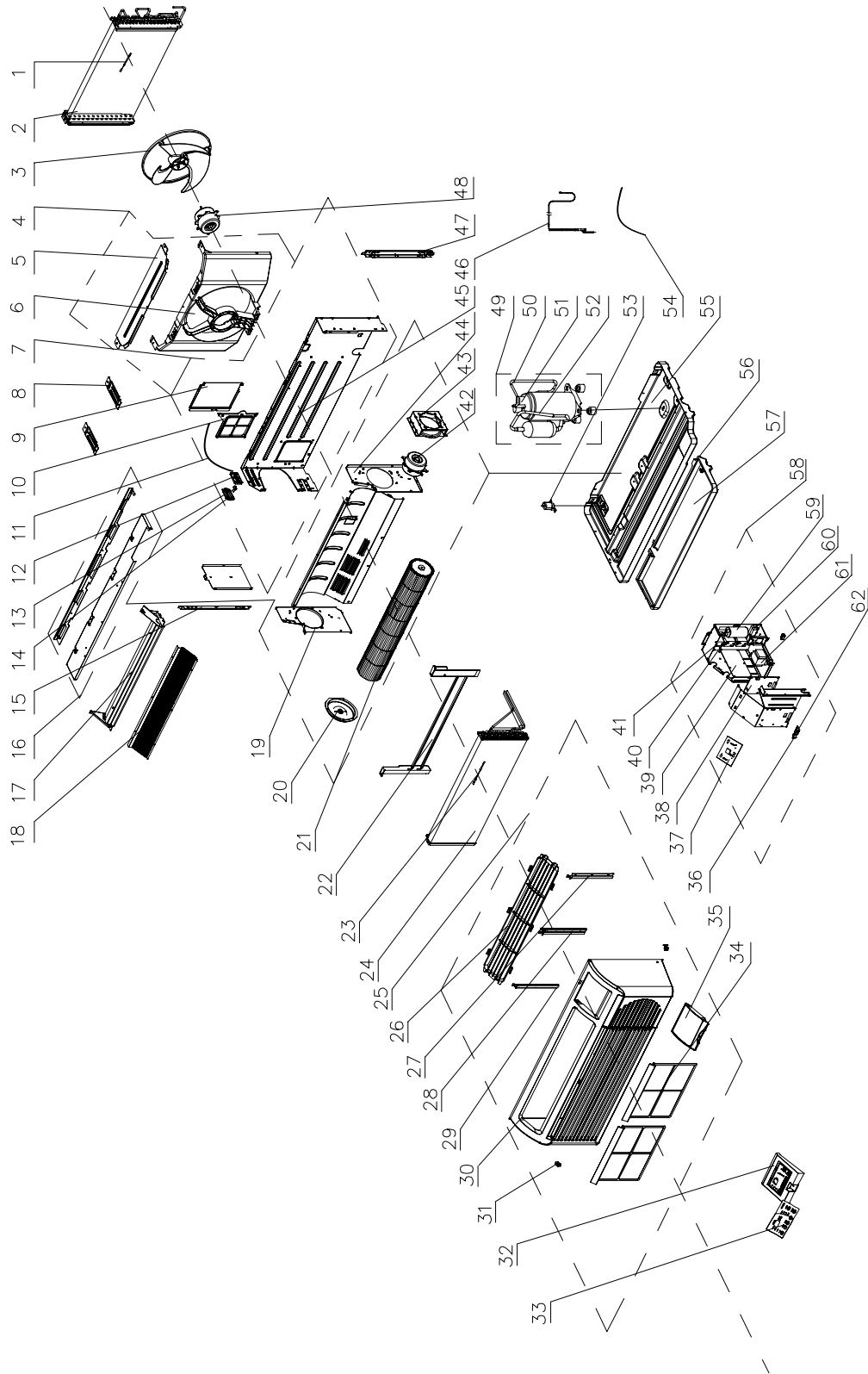
**7,000 BTU Heat/Cool 265v Volt 20 Amp  
Model Number: ETAC-07HC265V20A**



**7,000 BTU Heat/Cool 265v Volt 20 Amp  
Model Number: ETAC-07HC265V20A  
Gree Engineering Number: GAE07AB-P3RNB5A**

NO.	Part Code	Part Description	Qty	NO.	Part Code	Part Description	Qty
1	390002073	Outdoor Coil Temperature Sensor	1	35	20121070	Control Door	1
2	1101289	Condenser Coil Assy	1	36	42010037	Wiring Terminal	1
2	1101105	Condenser Coil Assy (CP Models Only)	1	37	30562050	Display Board	1
3	10331004	Outdoor Axial Flow Fan Blade	1	38	30132080	Main Relay/Power Circuit Board	1
4	10371215	Condenser Shroud	1	39	30132117	Main Control Board	1
5	01251028P	Condenser Shroud Cover	1	40	33010020	Capacitor	1
6	10371213	Diversion Circle	1	41	33010089	Capacitor	1
7	1231154	Mid Clapboard Assy	1	42	150110345	Indoor Fan Motor	1
8	1381004	Shroud Support Bracket	2	43	01701014P	Motor Support Sub-Assy	1
9	1441015	Vent Inlet Door Sub-Assy	1	44	02121023P	Right Side Board of Duct	1
10	11121213	Vent Air Filter Sub-Assy	1	45	01231079P	Mid Clapboard	1
11	2121014	Vent Door Cable	1	46	3001828	Capillary Sub-assy	1
12	26231155	Vent Lever Lower Cover	1	47	1701038	Outer Mounting Brackets (Right)	1
13	26231153	Vent Hand Lever	1	48	1501180204	Outdoor Fan Motor	1
14	26231154	Vent Lever Upper Cover	1	49	101060	Compressor and Fittings	1
15	1701039	Outer Support Sub-assy(Left)	1	50	3611753	Discharge Tube	1
16	1251013	Top Cover Plate Sub-Assy	1	51	180302	Compressor Overload Protector(External)	1
17	02121028P	Helicoid Tongue sub-assy	1	52	3621923	Suction Tube	1
18	1471017	Discharge Air Screen	1	53	7101001	Drain Valve	1
19	02121024P	Left Side Board of Duct	1	54	40020005	Power Cord(LCDI)	1
20	26151139	Glue Seat of Bearing	1	55	0120102601P	Chassis Assy	1
21	10351002	Indoor Blower Wheel/Cross Flow Fan	1	56	12411904	Foam Condensate Tray	1
22	320000203	Electric Heater	1	57	2121012	Heater Insulation Plate	1
23	390000596	Indoor Coil Temperature Sensor	1	58	140198211	Electric Box Assy 1	1
24	100106601	Evaporator Coil Assy	1	59	33010045	Capacitor CBB65 15uF/450V	1
25	2000147503	Front Panel/Assy	1	60	42011103	Terminal Board	2
26	22411023	Discharge Air Grille	1	61	43110269	Transformer	1
27	26111139	Indoor Air Filter Supports (right)	1	62	42010039S	Wiring Terminal	1
28	26111140	Indoor Air Filter Supports (center)	1	Not Shown	01361014P	Baffle Plate	1
29	26111141	Indoor Air Filter Supports (left)	1	Not Shown	1221018	Air Flue Assy	1
30	20001673	Front Panel	1	Not Shown	3900012123	Indoor Ambient Temperature Sensor	1
31	2111013	Front Panel Mounting Clips	2	Not Shown	22431329	IR Receiver Assy	1
32	20121097	LCD Cover Sub-Assy	1	Not Shown	76710223	Compressor Grommets	3
33	6306130902	Membrane Keypad	1	Not Shown	140199002	Electric Box Assy 2	1
34	11121212	Indoor Air Filter	2	Not Shown	30510092MX	Remote Control	1

**9,000 BTU Heat/Cool 265 Volt 20 Amp  
Model Number: ETAC-09HC265V20A**



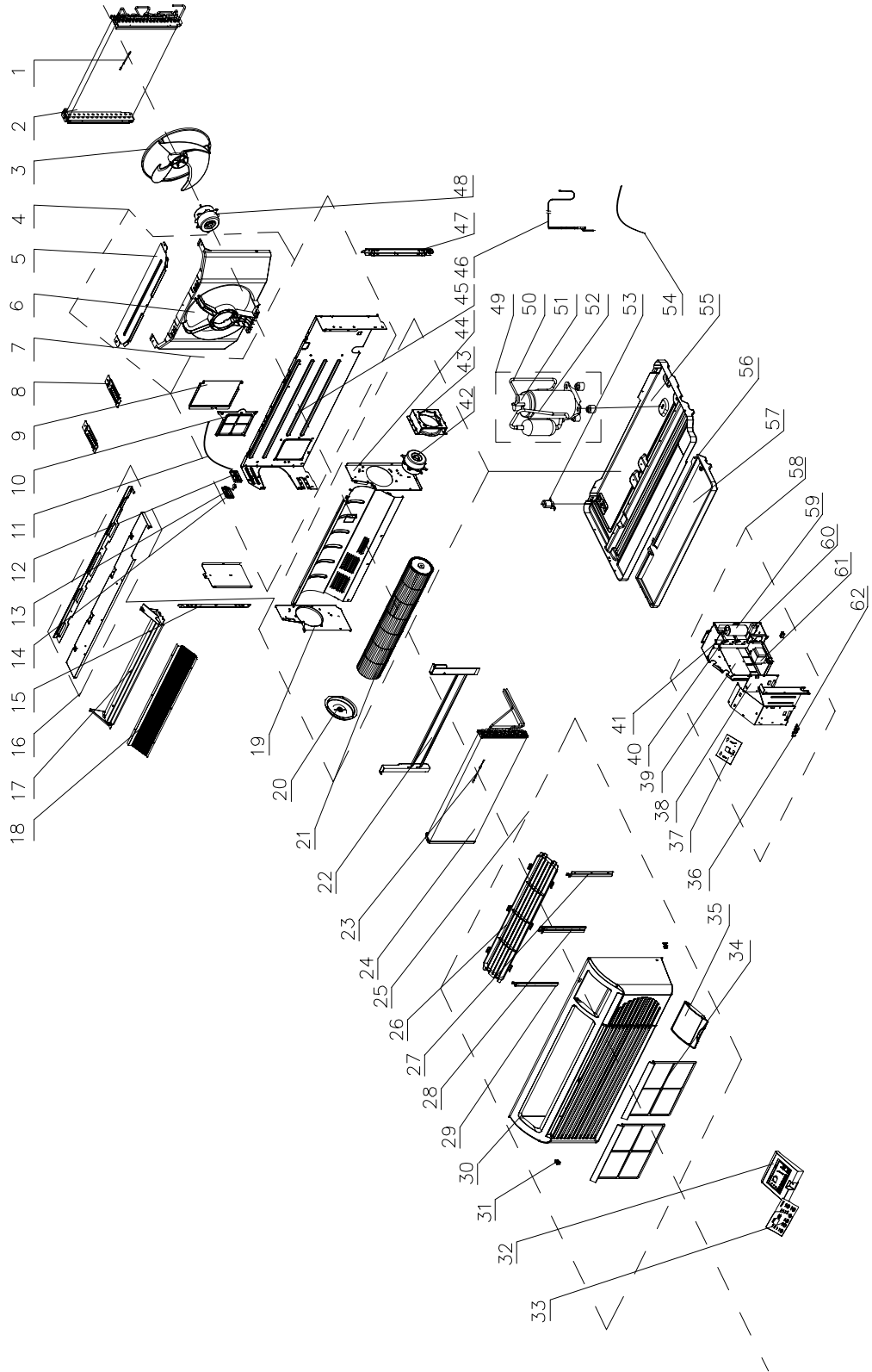


**9,000 BTU Heat/Cool 265 Volt 20 Amp  
Model Number: ETAC-09HC265V20A  
Gree Engineering Number: GAE09AB-P3RNB5A**

NO.	Part Code	Part Description	Qty
1	390002073	Outdoor Coil Temperature Sensor	1
2	1101348	Condenser Coil Assy	1
2	1101099	Condenser Coil Assy (CP Models Only)	1
3	10331004	Outdoor Axial Flow Fan Blade	1
4	10371215	Condenser Shroud	1
5	01251028P	Condenser Shroud Cover	1
6	10371213	Diversion Circle	1
7	1231154	Mid Clapboard Assy	1
8	1381004	Shroud Support Bracket	2
9	1441015	Vent Inlet Door Sub-Assy	1
10	11121213	Vent Air Filter Sub-Assy	1
11	2121014	Vent Door Cable	1
12	26231155	Vent Lever Lower Cover	1
13	26231153	Vent Hand Lever	1
14	26231154	Vent Lever Upper Cover	1
15	1701039	Outer Support Sub-assy(Left)	1
16	1251013	Top Cover Plate Sub-Assy	1
17	02121028P	Helicoid Tongue sub-assy	1
18	1471017	Discharge Air Screen	1
19	02121024P	Left Side Board of Duct	1
20	26151139	Glue Seat of Bearing	1
21	10351002	Indoor Blower Wheel/Cross Flow Fan	1
22	320000203	Electric Heater	1
23	390000596	Indoor Coil Temperature Sensor	1
24	1001092	Evaporator Coil Assy	1
25	2000147503	Front Panel/Assy	1
26	22411023	Discharge Air Grille	1
27	26111139	Indoor Air Filter Supports (right)	1
28	26111140	Indoor Air Filter Supports (center)	1
29	26111141	Indoor Air Filter Supports (left)	1
30	20001673	Front Panel	1
31	2111013	Front Panel Mounting Clips	2
32	20121097	LCD Cover Sub-Assy	1
33	6306130902	Membrane Keypad	1
34	11121212	Indoor Air Filter	2

NO.	Part Code	Part Description	Qty
35	20121070	Control Door	1
36	42010037	Wiring Terminal	1
37	30562050	Display Board	1
38	30132080	Main Relay/Power Circuit Board	1
39	30132117	Main Control Board	1
40	33010020	Capacitor	1
41	33010089	Capacitor	1
42	150110345	Indoor Fan Motor	1
43	01701014P	Motor Support Sub-Assy	1
44	02121023P	Right Side Board of Duct	1
45	01231079P	Mid Clapboard	1
46	3001959	Capillary Sub-assy	1
47	1701038	Outer Mounting Brackets (Right)	1
48	1501180204	Outdoor Fan Motor	1
49	101052	Compressor and Fittings	1
50	3611767	Discharge Tube	1
51	181024	Compressor Overload Protector(External)	1
52	3621749	Suction Tube	1
53	7101001	Drain Valve	1
54	40020005	Power Cord(LCDI)	1
55	0120102604P	Chassis Assy	1
56	12411904	Foam Condensate Tray	1
57	2121012	Heater Insulation Plate	1
58	140198213	Electric Box Assy 1	1
59	33010045	Capacitor CBB65 15uF/450V	1
60	42011103	Terminal Board	2
61	43110269	Transformer	1
62	42010039S	Wiring Terminal	1
Not Shown	01361014P	Baffle Plate	1
Not Shown	1221018	Air Flue Assy	1
Not Shown	3900012123	Indoor Ambient Temperature Sensor	1
Not Shown	22431329	IR Receiver Assy	1
Not Shown	76710223	Compressor Grommets	3
Not Shown	140199002	Electric Box Assy 2	1
Not Shown	30510092MX	Remote Control	1

**12,000 BTU Heat/Cool 265 Volt 20 Amp  
Model Number: ETAC-12HC265V20A**

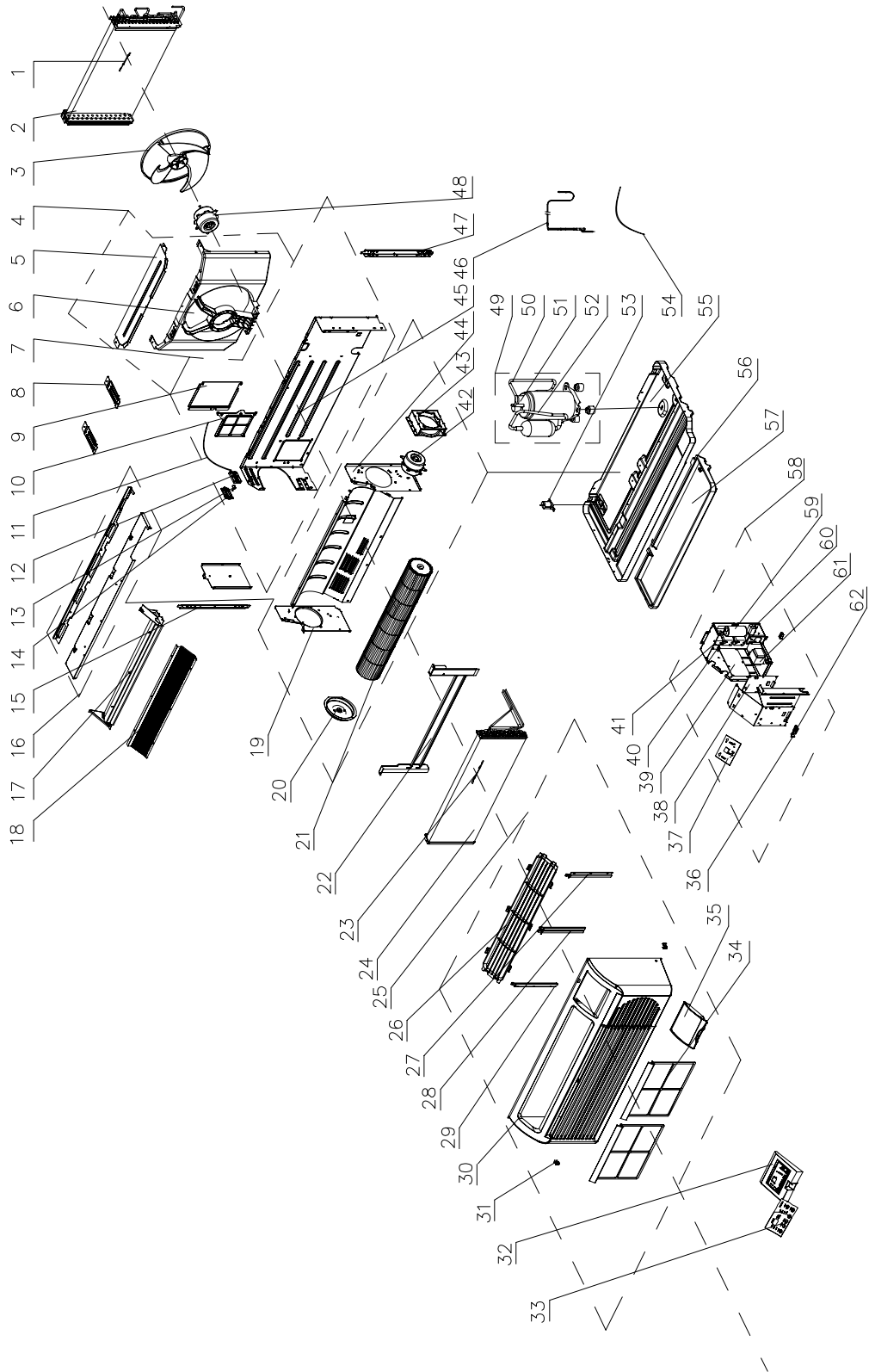


**12,000 BTU Heat/Cool 265 Volt 20 Amp  
Model Number: ETAC-12HC265V20A  
Gree Engineering Number: GAE12AB-P3RNB5A**

NO.	Part Code	Part Description	Qty
1	390002073	Outdoor Coil Temperature Sensor	1
2	1101348	Condenser Coil Assy	1
2	1101099	Condenser Coil Assy (CP Model Only)	1
3	10331004	Outdoor Axial Flow Fan Blade	1
4	1037100901	Condenser Shroud	1
5	01251028P	Condenser Shroud Cover	1
6	10371213	Diversion Circle	1
7	1231154	Mid Clapboard Assy	1
8	1381004	Shroud Support Bracket	2
9	1441015	Vent Inlet Door Sub-Assy	1
10	11121213	Vent Air Filter Sub-Assy	1
11	2121014	Vent Door Cable	1
12	26231155	Vent Lever Lower Cover	1
13	26231153	Vent Hand Lever	1
14	26231154	Vent Lever Upper Cover	1
15	1701039	Outer Support Sub-assy(Left)	1
16	1251013	Top Cover Plate Sub-Assy	1
17	02121028P	Helicoid Tongue sub-assy	1
18	1471017	Discharge Air Screen	1
19	02121024P	Left Side Board of Duct	1
20	26151139	Glue Seat of Bearing	1
21	10351002	Indoor Blower Wheel/Cross Flow Fan	1
22	320000203	Electric Heater	1
23	390000596	Indoor Coil Temperature Sensor	1
24	100128501	Evaporator Coil Assy	1
25	2000147503	Front Panel/Assy	1
26	22411023	Discharge Air Grille	1
27	2611139	Indoor Air Filter Supports (right)	1
28	2611140	Indoor Air Filter Supports (center)	1
29	2611141	Indoor Air Filter Supports (left)	1
30	20001673	Front Panel	1
31	2111013	Front Panel Mounting Clips	2
32	2012110802	LCD Cover Sub-Assy	1
33	6306130902	Membrane Keypad	1
34	11121212	Indoor Air Filter	2

NO.	Part Code	Part Description	Qty
35	20121070T	Control Door	1
36	42010037	Wiring Terminal	1
37	30562050	Display Board	1
38	30132080	Main Relay/Power Circuit Board	1
39	30132117	Main Control Board	1
40	33010026	Capacitor	1
41	33010020	Capacitor	1
42	1501180205	Indoor Fan Motor	1
43	01701014P	Motor Support Sub-Assy	1
44	02121023P	Right Side Board of Duct	1
45	01231079P	Mid Clapboard	1
46	3006176	Capillary Sub-assy	1
47	1701038	Outer Mounting Brackets (Right)	1
48	150110342	Outdoor Fan Motor	1
49	101054	Compressor and Fittings	1
50	3611826	Discharge Tube	1
51	180151	Compressor Overload Protector(External)	1
52	3621831	Suction Tube	1
53	7101001	Drain Valve	1
54	40020005	Power Cord(LCDI)	1
55	0120102604P	Chassis Assy	1
56	12411904	Foam Condensate Tray	1
57	2121012	Heater Insulation Plate	1
58	140198905	Electric Box Assy 1	1
59	33000017	Capacitor CBB65 15uF/450V	1
60	42011103	Terminal Board	2
61	43110269	Transformer	1
62	42010039S	Wiring Terminal	1
Not Shown	01361014P	Baffle Plate	1
Not Shown	122101807	Air Flue Assy	1
Not Shown	3900012123	Indoor Ambient Temperature Sensor	1
Not Shown	22431329	IR Receiver Assy	1
Not Shown	76711002	Compressor Grommets	3
Not Shown	140199002	Electric Box Assy 2	1
Not Shown	30510092MX	Remote Control	1

**12,000 BTU Heat/Cool 265 Volt 30 Amp  
Model Number: ETAC-12HC265V30A**

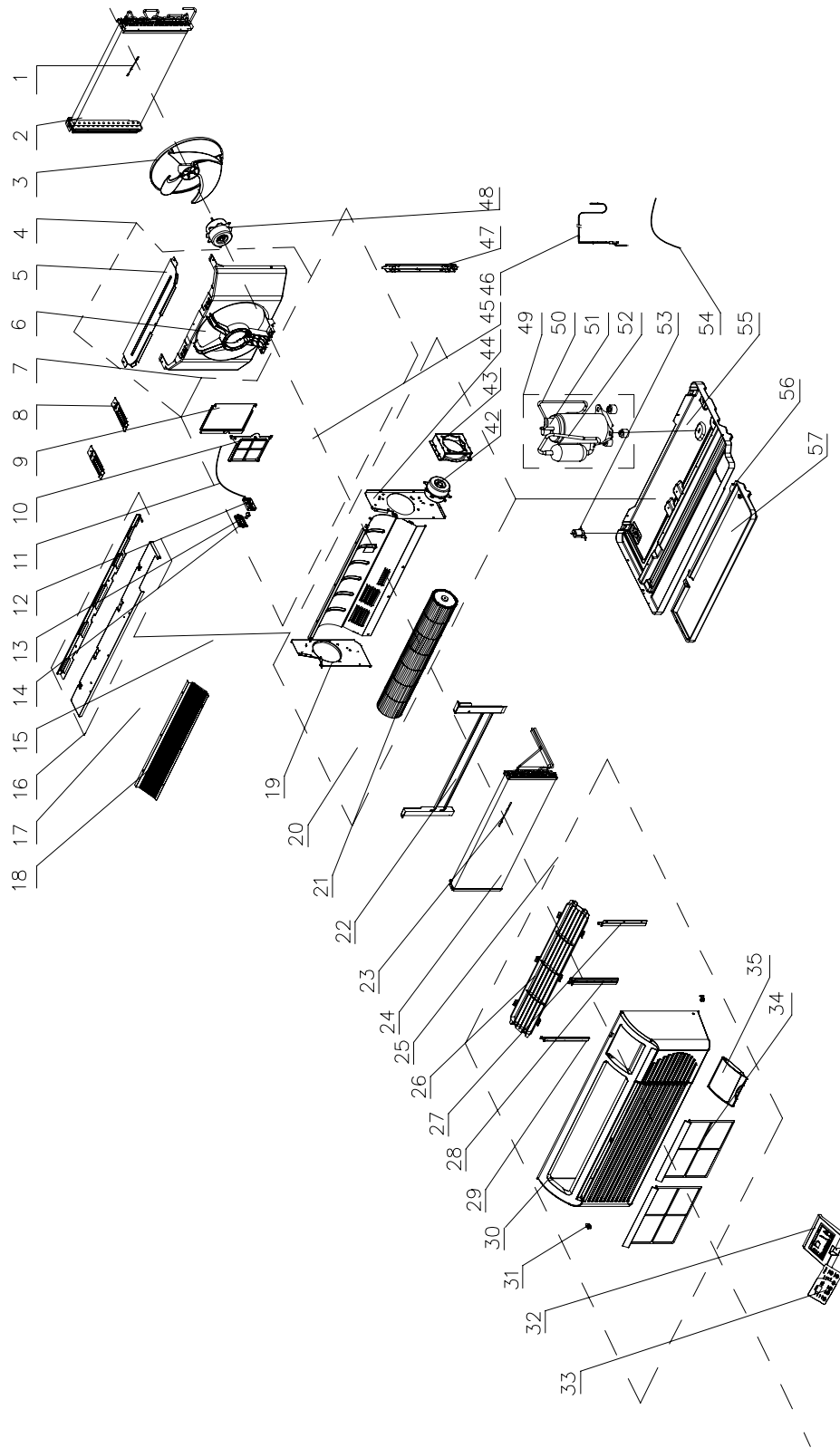


**12,000 BTU Heat/Cool 265 Volt 30 Amp  
Model Number: ETAC-12HC265V30A  
Gree Engineering Number: GAE12AB-P3RNB5B**

NO.	Part Code	Part Description	Qty
1	390002073	Outdoor Coil Temperature Sensor	1
2	1101348	Condenser Coil Assy	1
2	1101099	Condenser Coil Assy (CP Model Only)	1
3	10331004	Outdoor Axial Flow Fan Blade	1
4	10371215	Condenser Shroud	1
5	01251028P	Condenser Shroud Cover	1
6	10371213	Diversion Circle	1
7	1231154	Mid Clapboard Assy	1
8	1381004	Shroud Support Bracket	2
9	1441015	Vent Inlet Door Sub-Assy	1
10	11121213	Vent Air Filter Sub-Assy	1
11	2121014	Vent Door Cable	1
12	26231155	Vent Lever Lower Cover	1
13	26231153	Vent Hand Lever	1
14	26231154	Vent Lever Upper Cover	1
15	1701039	Outer Support Sub-assy(Left)	1
16	1251013	Top Cover Plate Sub-Assy	1
17	02121028P	Helicoid Tongue sub-assy	1
18	1471017	Discharge Air Screen	1
19	02121024P	Left Side Board of Duct	1
20	26151139	Glue Seat of Bearing	1
21	10351002	Indoor Blower Wheel/Cross Flow Fan	1
22	320000202	Electric Heater	1
23	390000596	Indoor Coil Temperature Sensor	1
24	100128501	Evaporator Coil Assy	1
25	2000147503	Front Panel/Assy	1
26	22411023	Discharge Air Grille	1
27	26111139	Indoor Air Filter Supports (right)	1
28	26111140	Indoor Air Filter Supports (center)	1
29	26111141	Indoor Air Filter Supports (left)	1
30	20001673	Front Panel	1
31	2111013	Front Panel Mounting Clips	2
32	20121097	LCD Cover Sub-Assy	1
33	6306130902	Membrane Keypad	1
34	11121212	Indoor Air Filter	2

NO.	Part Code	Part Description	Qty
35	20121070T	Control Door	1
36	42010037	Wiring Terminal	1
37	30562050	Display Board	1
38	30132082	Main Relay/Power Circuit Board	1
39	30132117	Main Control Board	1
40	33010026	Capacitor	1
41	33010020	Capacitor	1
42	1501180205	Indoor Fan Motor	1
43	01701014P	Motor Support Sub-Assy	1
44	02121023P	Right Side Board of Duct	1
45	01231079P	Mid Clapboard	1
46	3006176	Capillary Sub-assy	1
47	1701038	Outer Mounting Brackets (Right)	1
48	150110342	Outdoor Fan Motor	1
49	101054	Compressor and Fittings	1
50	3611826	Discharge Tube	1
51	180151	Compressor Overload Protector(External)	1
52	3621831	Suction Tube	1
53	7101001	Drain Valve	1
54	4002000501	Power Cord(LCDI)	1
55	0120102604P	Chassis Assy	1
56	12411904	Foam Condensate Tray	1
57	2121012	Heater Insulation Plate	1
58	140198217	Electric Box Assy 1	1
59	33000017	Capacitor CBB65 15uF/450V	1
60	42011103	Terminal Board	2
61	43110269	Transformer	1
62	42010039S	Wiring Terminal	1
Not Shown	01361014P	Baffle Plate	1
Not Shown	122101807	Air Flue Assy	1
Not Shown	3900012123	Indoor Ambient Temperature Sensor	1
Not Shown	22431329	IR Receiver Assy	1
Not Shown	76711002	Compressor Grommets	3
Not Shown	140199002	Electric Box Assy 2	1
Not Shown	30510092MX	Remote Control	1

**15,000 BTU Heat/Cool 265 Volt 20 Amp  
Model Number: ETAC-15HC265V20A**

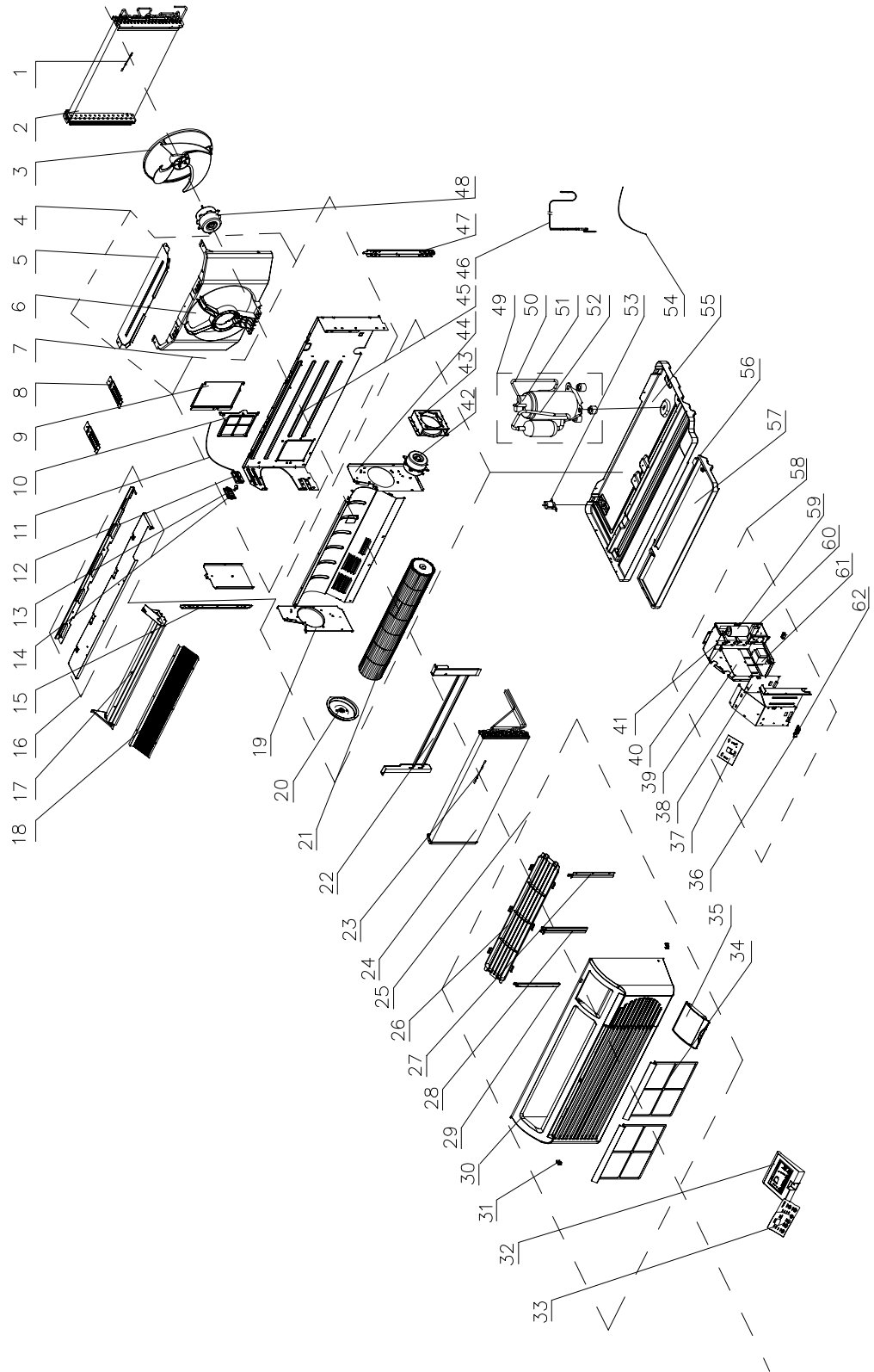


**15,000 BTU Heat/Cool 265 Volt 20 Amp  
Model Number: ETAC-15HC265V20A  
Gree Engineering Number: GAE15AB-P3RNB5A**

NO.	Part Code	Part Description	Qty
1	390002073	Outdoor Coil Temperature Sensor	1
2	1101191	Condenser Coil Assy	1
2	110119102	Condenser Coil Assy (CP Models Only)	1
3	10331004	Outdoor Axial Flow Fan Blade	1
4	1037100901	Condenser Shroud	1
5	01251028P	Condenser Shroud Cover	1
6	10371213	Diversion Circle	1
7	1231154	Mid Clapboard Assy	1
8	1381004	Shroud Support Bracket	2
9	1441015	Vent Inlet Door Sub-Assy	1
10	11121213	Vent Air Filter Sub-Assy	1
11	2121014	Vent Door Cable	1
12	26231155	Vent Lever Lower Cover	1
13	26231153	Vent Hand Lever	1
14	26231154	Vent Lever Upper Cover	1
15	1701039	Outer Support Sub-assy(Left)	1
16	1251013	Top Cover Plate Sub-Assy	1
17	02121028P	Helicoid Tongue sub-assy	1
18	1471017	Discharge Air Screen	1
19	02121024P	Left Side Board of Duct	1
20	26151139	Glue Seat of Bearing	1
21	10351002	Indoor Blower Wheel/Cross Flow Fan	1
22	320000203	Electric Heater	1
23	390000596	Indoor Coil Temperature Sensor	1
24	100128501	Evaporator Coil Assy	1
25	2000147503	Front Panel/Assy	1
26	22411023	Discharge Air Grille	1
27	26111139	Indoor Air Filter Supports (right)	1
28	26111140	Indoor Air Filter Supports (center)	1
29	26111141	Indoor Air Filter Supports (left)	1
30	20001673	Front Panel	1
31	2111013	Front Panel Mounting Clips	2
32	2012110802	LCD Cover Sub-Assy	1
33	6306130902	Membrane Keypad	1
34	11121212	Indoor Air Filter	2

NO.	Part Code	Part Description	Qty
35	20121070T	Control Door	1
36	42010037	Wiring Terminal	1
37	30562050	Display Board	1
38	30132080	Main Relay/Power Circuit Board	1
39	30132117	Main Control Board	1
40	33010026	Capacitor	1
41	33010020	Capacitor	1
42	1501180205	Indoor Fan Motor	1
43	01701014P	Motor Support Sub-Assy	1
44	02121023P	Right Side Board of Duct	1
45	01231079P	Mid Clapboard	1
46	3001341	Capillary Sub-assy	1
47	1701038	Outer Mounting Brackets (Right)	1
48	150110342	Outdoor Fan Motor	1
49	101091	Compressor and Fittings	1
50	3611432	Discharge Tube	1
51	180144	Compressor Overload Protector(External)	1
52	3621354	Suction Tube	1
53	7101001	Drain Valve	1
54	40020005	Power Cord(LCDI)	1
55	01201026P	Chassis Assy	1
56	12411904	Foam Condensate Tray	1
57	2121012	Heater Insulation Plate	1
58	2601028	Electric Box Assy 1	1
59	33000081	Capacitor CBB65 15uF/450V	1
60	42011103	Terminal Board	2
61	43110269	Transformer	1
62	42010039S	Wiring Terminal	1
Not Shown	01361014P	Baffle Plate	1
Not Shown	122101807	Air Flue Assy	1
Not Shown	3900012123	Indoor Ambient Temperature Sensor	1
Not Shown	22431329	IR Receiver Assy	1
Not Shown	76710216	Compressor Grommets	3
Not Shown	140199002	Electric Box Assy 2	1
Not Shown	30510092MX	Remote Control	1

**15,000 BTU Heat/Cool 265 Volt 30 Amp  
Model Number: ETAC-15HC265V30A**

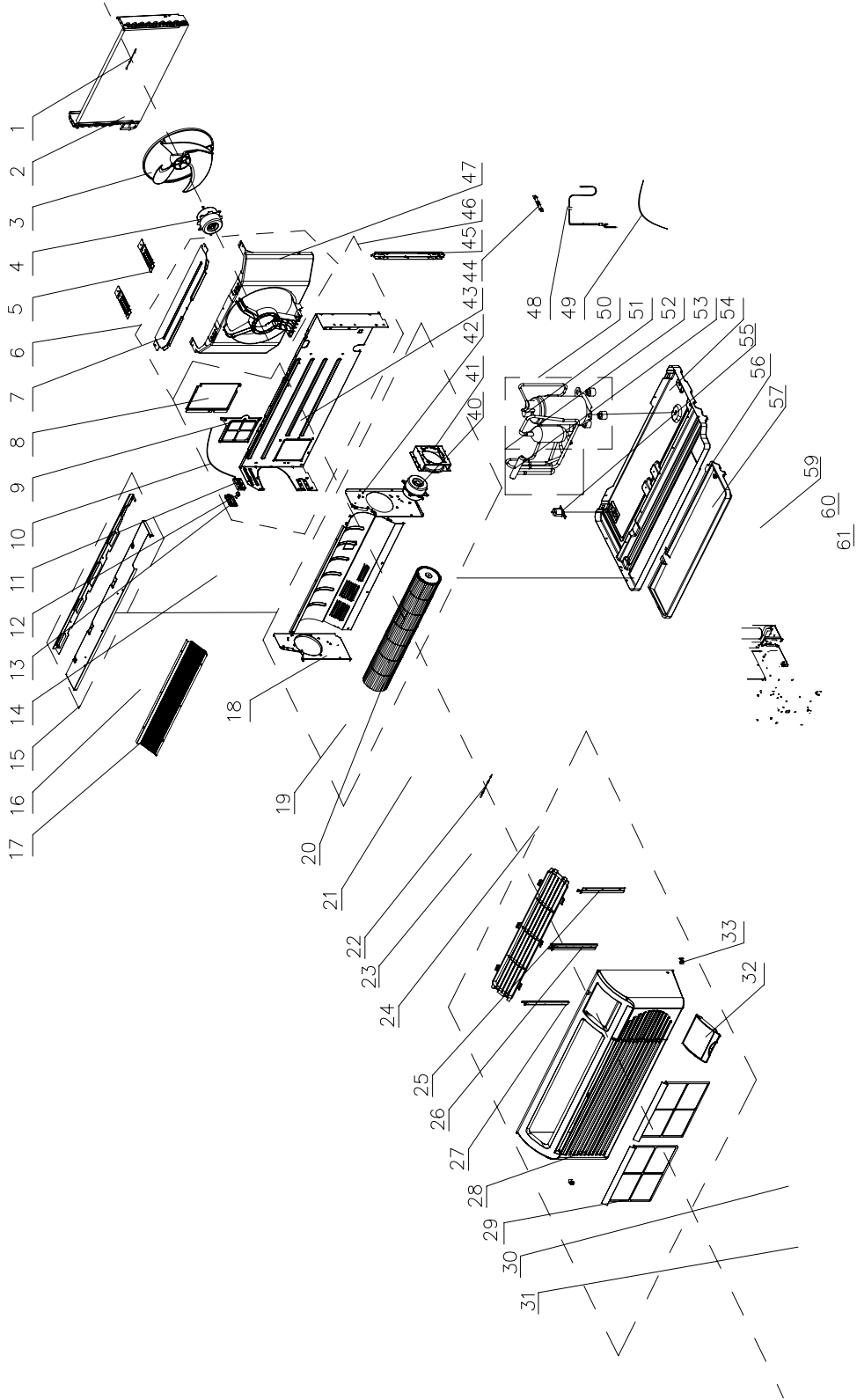




**15,000 BTU Heat/Cool 265 Volt 30 Amp  
Model Number: ETAC-15HC265V30A  
Gree Engineering Number: GAE15AB-P3RNB5B**

NO.	Part Code	Part Description	Qty	NO.	Part Code	Part Description	Qty
1	390002073	Outdoor Coil Temperature Sensor	1	35	20121070T	Control Door	1
2	1101191	Condenser Coil Assy	1	36	42010037	Wiring Terminal	1
2	110119102	Condenser Coil Assy (CP Models Only)	1	37	30562050	Display Board	1
3	10331004	Outdoor Axial Flow Fan Blade	1	38	30132082	Main Relay/Power Circuit Board	1
4	10371215	Condenser Shroud	1	39	30132117	Main Control Board	1
5	01251028P	Condenser Shroud Cover	1	40	33010026	Capacitor	1
6	10371213	Diversion Circle	1	41	33010020	Capacitor	1
7	1231154	Mid Clapboard Assy	1	42	1501180205	Indoor Fan Motor	1
8	1381004	Shroud Support Bracket	2	43	01701014P	Motor Support Sub-Assy	1
9	1441015	Vent Inlet Door Sub-Assy	1	44	02121023P	Right Side Board of Duct	1
10	11121213	Vent Air Filter Sub-Assy	1	45	01231079P	Mid Clapboard	1
11	2121014	Vent Door Cable	1	46	3001341	Capillary Sub-assy	1
12	26231155	Vent Lever Lower Cover	1	47	1701038	Outer Mounting Brackets (Right)	1
13	26231153	Vent Hand Lever	1	48	150110342	Outdoor Fan Motor	1
14	26231154	Vent Lever Upper Cover	1	49	101091	Compressor and Fittings	1
15	1701039	Outer Support Sub-assy(Left)	1	50	3611432	Discharge Tube	1
16	1251013	Top Cover Plate Sub-Assy	1	51	180144	Compressor Overload Protector(External)	1
17	02121028P	Helicoid Tongue sub-assy	1	52	3621354	Suction Tube	1
18	1471017	Discharge Air Screen	1	53	7101001	Drain Valve	1
19	02121024P	Left Side Board of Duct	1	54	4002000501	Power Cord(LCDI)	1
20	26151139	Glue Seat of Bearing	1	55	01201026P	Chassis Assy	1
21	10351002	Indoor Blower Wheel/Cross Flow Fan	1	56	12411904	Foam Condensate Tray	1
22	320000202	Electric Heater	1	57	2121012	Heater Insulation Plate	1
23	390000596	Indoor Coil Temperature Sensor	1	58	140198219	Electric Box Assy 1	1
24	100128501	Evaporator Coil Assy	1	59	33000017	Capacitor CBB65 15uF/450V	1
25	2000147503	Front Panel/Assy	1	60	42011103	Terminal Board	2
26	22411023	Discharge Air Grille	1	61	43110269	Transformer	1
27	26111139	Indoor Air Filter Supports (right)	1	62	42010039S	Wiring Terminal	1
28	26111140	Indoor Air Filter Supports (center)	1	Not Shown	01361014P	Baffle Plate	1
29	26111141	Indoor Air Filter Supports (left)	1	Not Shown	122101807	Air Flue Assy	1
30	20001673	Front Panel	1	Not Shown	3900012123	Indoor Ambient Temperature Sensor	1
31	2111013	Front Panel Mounting Clips	2	Not Shown	22431329	IR Receiver Assy	1
32	20121097	LCD Cover Sub-Assy	1	Not Shown	76710216	Compressor Grommets	3
33	6306130902	Membrane Keypad	1	Not Shown	140199002	Electric Box Assy 2	1
34	11121212	Indoor Air Filter	2	Not Shown	30510092MX	Remote Control	1

**7,000 BTU Heat Pump 208/230 Volt 15 Amp  
Model Number: ETAC-07HP230V15A**

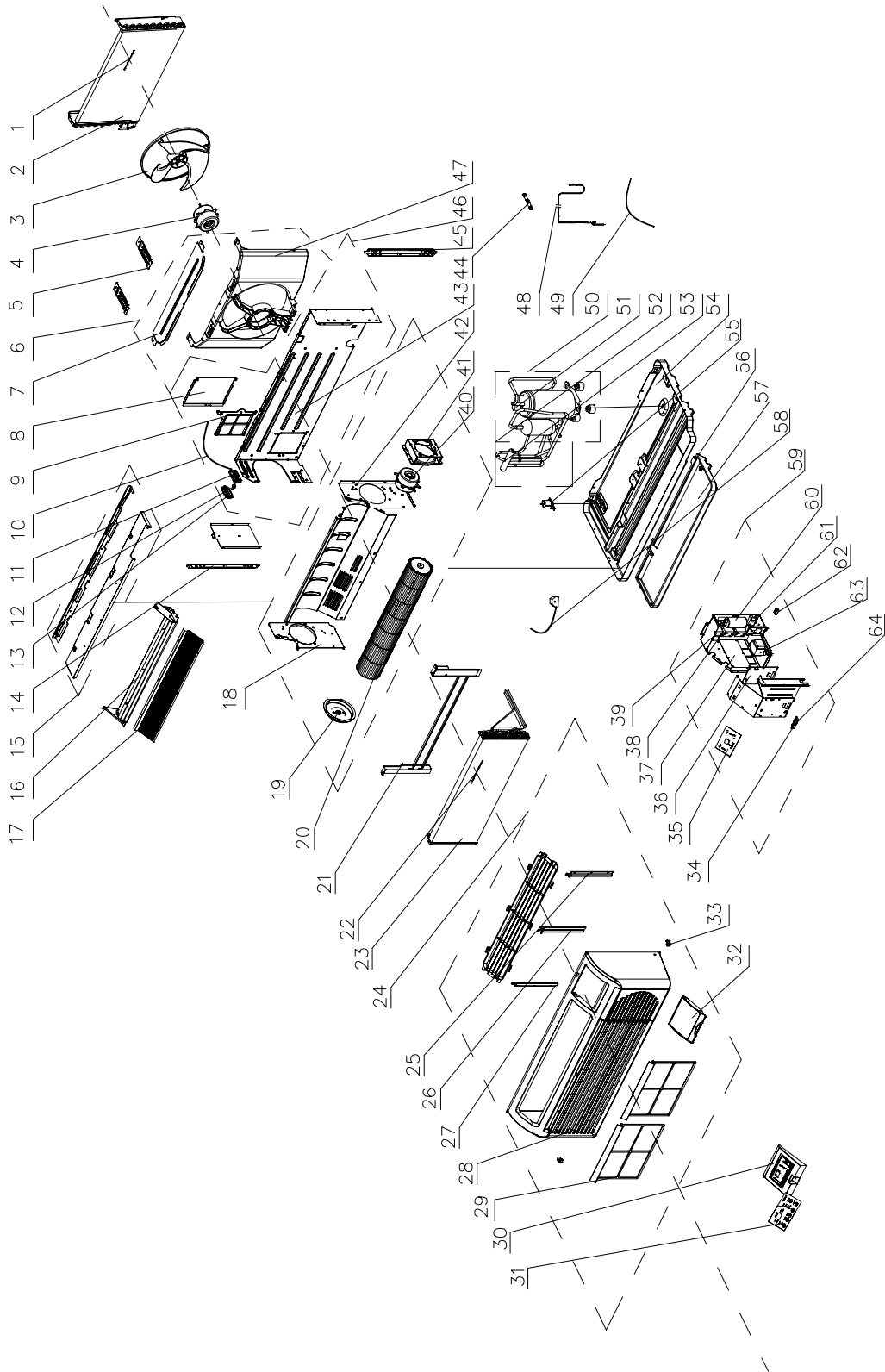


**7,000 BTU Heat Pump 208/230 Volt 15 Amp  
Model Number: ETAC-07HP230V15A  
Gree Engineering Number: GAA07AB-D3RNB5C**

NO.	Part Code	Part Description	Qty
1	390002073	Outdoor Coil Temperature Sensor	1
2	1101097	Condenser Coil Assy	1
2	110109701	Condenser Coil Assy (CP Models Only)	1
3	10331004	Outdoor Axial Flow Fan Blade	1
4	1501180303	Outdoor Fan Motor	1
5	1381004	Shroud Support Bracket	2
6	1037100912	Condenser Shroud	1
7	01251028P	Condenser Shroud Cover	1
8	1441015	Vent Inlet Door Sub-Assy	1
9	11121213	Vent Air Filter Sub-Assy	1
10	2121014	Vent Door Cable	1
11	26231155	Vent Lever Lower Cover	1
12	26231153	Vent Hand Lever	1
13	26231154	Vent Lever Upper Cover	1
14	1701038	Outer Support Sub-assy(Left)	1
15	1251013	Top Cover Plate Sub-Assy	1
16	02121028P	Helicoid Tongue sub-assy	1
17	1471017	Discharge Air Screen	1
18	02121024P	Left Side Board of Duct	1
19	26151139	Glue Seat of Bearing	1
20	10351002	Indoor Blower Wheel/Cross Flow Fan	1
21	320000204	Electric Heater	1
22	390000596	Indoor Coil Temperature Sensor	1
23	100106601	Evaporator Coil Assy	1
24	2000147503	Front Panel Assy	1
25	26111139	Indoor Air Filter Supports (right)	1
26	26111140	Indoor Air Filter Supports (center)	1
27	26111141	Indoor Air Filter Supports (left)	1
28	20001673	Front Panel	1
29	11121212	Indoor Air Filter	2
30	2012110802	LCD Cover Sub-Assy	1
31	6306130902	Membrane Keypad	1
32	20121070T	Control Door	1
33	2111013	Front Panel Mounting Clips	2
34	42010037	Wiring Terminal	1
35	30562050	Display Board	1
36	30132043	Main Relay/Power Circuit Board	1

NO.	Part Code	Part Description	Qty
37	30132118	Main Control Board	1
38	33000064	Capacitor	1
39	33010025	Capacitor CBB61	1
40	15011802	Indoor Fan Motor	1
41	01701014P	Motor Support Sub-Assy	1
42	02121023P	Right Side Board of Duct	1
43	01231079P	Mid Clapboard	1
44	7133001	One Way Valve	1
45	1701039	Outer Mounting Brackets (Right)	1
46	1231154	Mid Clapboard Assy	1
47	10371213	Diversion Circle	1
48	3001765	Capillary Sub-Assy	1
49	400203631	Power Cord(LCDI)	1
50	101061	Compressor and Fittings	1
51	180303	Compressor Overload Protector(External)	1
52	3021222	4-Way Valve Assy	1
53	430004022	4-Way Valve	1
54	0120102601P	Chassis Assy	1
55	7101001	Drain Valve	1
56	12411904	Foam Condensate Tray	1
57	2121012	Heater Insulation Plate	1
58	4300040022	Solenoid Coil	1
59	140198921	Electric Box Assy 1	1
60	33010045	Capacitor CBB65 15uF/450V	1
61	42011103	Terminal Board	1
62	49010252	Radiator	1
63	43110270	Transformer	1
64	42010039S	Wiring Terminal	1
Not Shown	76710223	Compressor Grommets	3
Not Shown	22431329	IR Receiver Assy	1
Not Shown	140199003	Electric Box Assy 2	1
Not Shown	3900012123	Indoor Ambient Temperature Sensor	1
Not Shown	122101801	Air Flue Assy	1
Not Shown	22411023	Discharge Air Grille	1
Not Shown	01361014P	Baffle Plate	1
Not Shown	30510092MX	Remote Control	1

**7,000 BTU Heat Pump 208/230 Volt 20 Amp**  
**Model Number: ETAC-07HP230V20A**

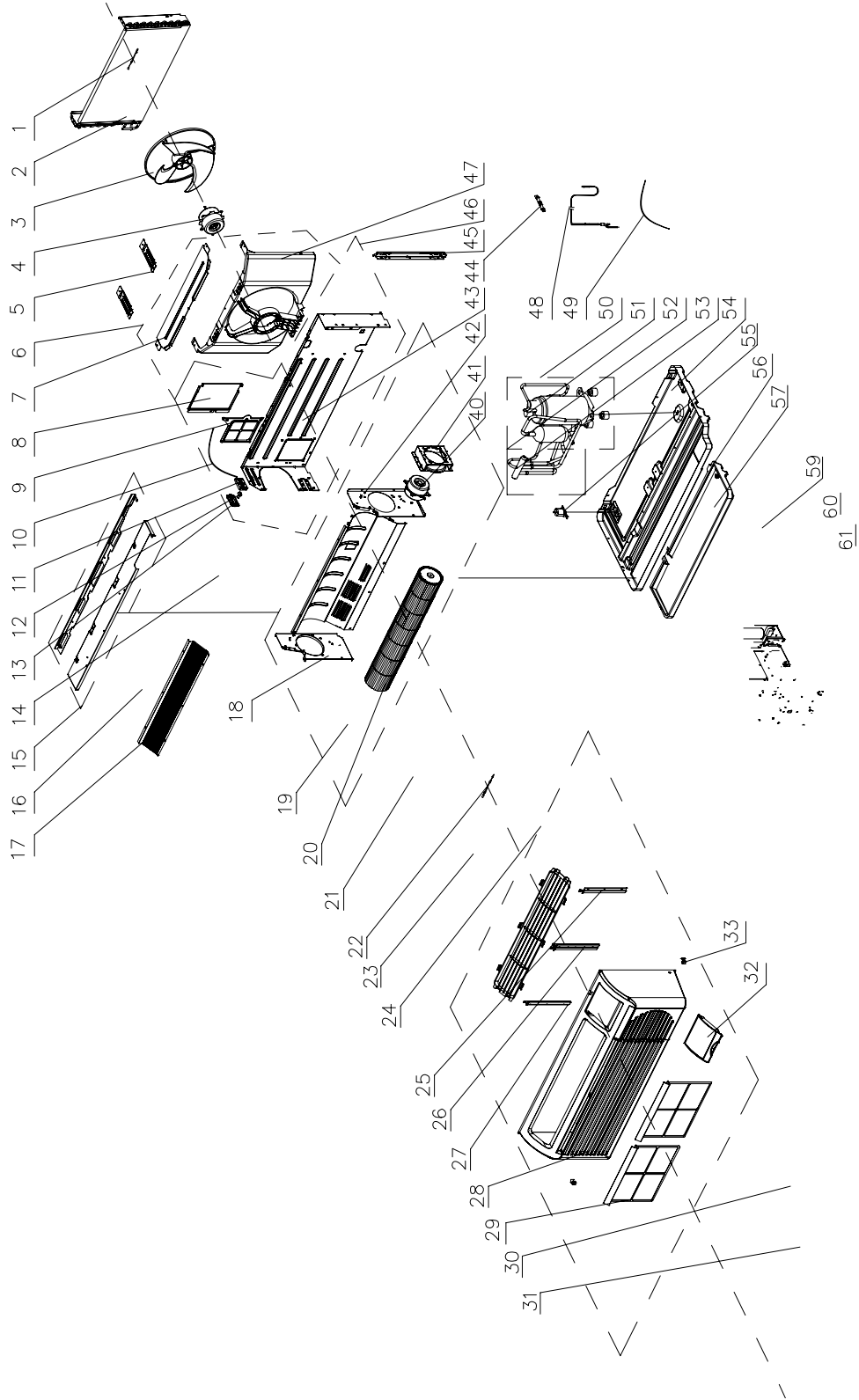


**7,000 BTU Heat Pump 208/230 Volt 20 Amp  
Model Number: ETAC-07HP230V20A  
Gree Engineering Number: GAA07AB-D3RNB5A**

NO.	Part Code	Part Description	Qty
1	390002073	Outdoor Coil Temperature Sensor	1
2	1101097	Condenser Coil Assy	1
2	110109701	Condenser Coil Assy (CP Models Only)	1
3	10331004	Outdoor Axial Flow Fan Blade	1
4	150110343	Outdoor Fan Motor	1
5	1381004	Shroud Support Bracket	2
6	1037100902	Condenser Shroud	1
7	01251028P	Condenser Shroud Cover	1
8	1441015	Vent Inlet Door Sub-Assy	1
9	11121213	Vent Air Filter Sub-Assy	1
10	2121014	Vent Door Cable	1
11	26231155	Vent Lever Lower Cover	1
12	26231153	Vent Hand Lever	1
13	26231154	Vent Lever Upper Cover	1
14	1701038	Outer Support Sub-assy(Left)	1
15	1251013	Top Cover Plate Sub-Assy	1
16	02121028P	Helicoid Tongue sub-assy	1
17	1471017	Discharge Air Screen	1
18	02121024P	Left Side Board of Duct	1
19	26151139	Glue Seat of Bearing	1
20	10351002	Indoor Blower Wheel/Cross Flow Fan	1
21	320000201	Electric Heater	1
22	390000596	Indoor Coil Temperature Sensor	1
23	100106601	Evaporator Coil Assy	1
24	2000147503	Front Panel Assy	1
25	26111139	Indoor Air Filter Supports (right)	1
26	26111140	Indoor Air Filter Supports (center)	1
27	26111141	Indoor Air Filter Supports (left)	1
28	20001673	Front Panel	1
29	11121212	Indoor Air Filter	2
30	2012110802	LCD Cover Sub-Assy	1
31	6306130902	Membrane Keypad	1
32	20121070T	Control Door	1
33	2111013	Front Panel Mounting Clips	2
34	42010037	Wiring Terminal	1
35	30562050	Display Board	1
36	30132043	Main Relay/Power Circuit Board	1

NO.	Part Code	Part Description	Qty
37	30132118	Main Control Board	1
38	33000064	Capacitor	1
39	33010025	Capacitor CBB61	1
40	15011802	Indoor Fan Motor	1
41	01701014P	Motor Support Sub-Assy	1
42	02121023P	Right Side Board of Duct	1
43	01231079P	Mid Clapboard	1
44	7133001	One Way Valve	1
45	1701039	Outer Mounting Brackets (Right)	1
46	1231154	Mid Clapboard Assy	1
47	10371213	Diversion Circle	1
48	3001765	Capillary Sub-Assy	1
49	400203632	Power Cord(LCDI)	1
50	101061	Compressor and Fittings	1
51	180303	Compressor Overload Protector(External)	1
52	3021222	4-Way Valve Assy	1
53	430004022	4-Way Valve	1
54	0120102601P	Chassis Assy	1
55	7101001	Drain Valve	1
56	12411904	Foam Condensate Tray	1
57	2121012	Heater Insulation Plate	1
58	4300040022	Solenoid Coil	1
59	140198912	Electric Box Assy 1	1
60	33010045	Capacitor CBB65 15uF/450V	1
61	42011103	Terminal Board	2
62	49010252	Radiator	1
63	43110270	Transformer	1
64	42010039S	Wiring Terminal	1
Not Shown	76710223	Compressor Grommets	3
Not Shown	22431329	IR Receiver Assy	1
Not Shown	140199003	Electric Box Assy 2	1
Not Shown	3900012123	Indoor Ambient Temperature Sensor	1
Not Shown	122101801	Air Flue Assy	1
Not Shown	22411023	Discharge Air Grille	1
Not Shown	01361014P	Baffle Plate	1
Not Shown	30510092MX	Remote Control	1

**9,000 BTU Heat Pump 208/230 Volt 15 Amp  
Model Number: ETAC-09HP230V15A**

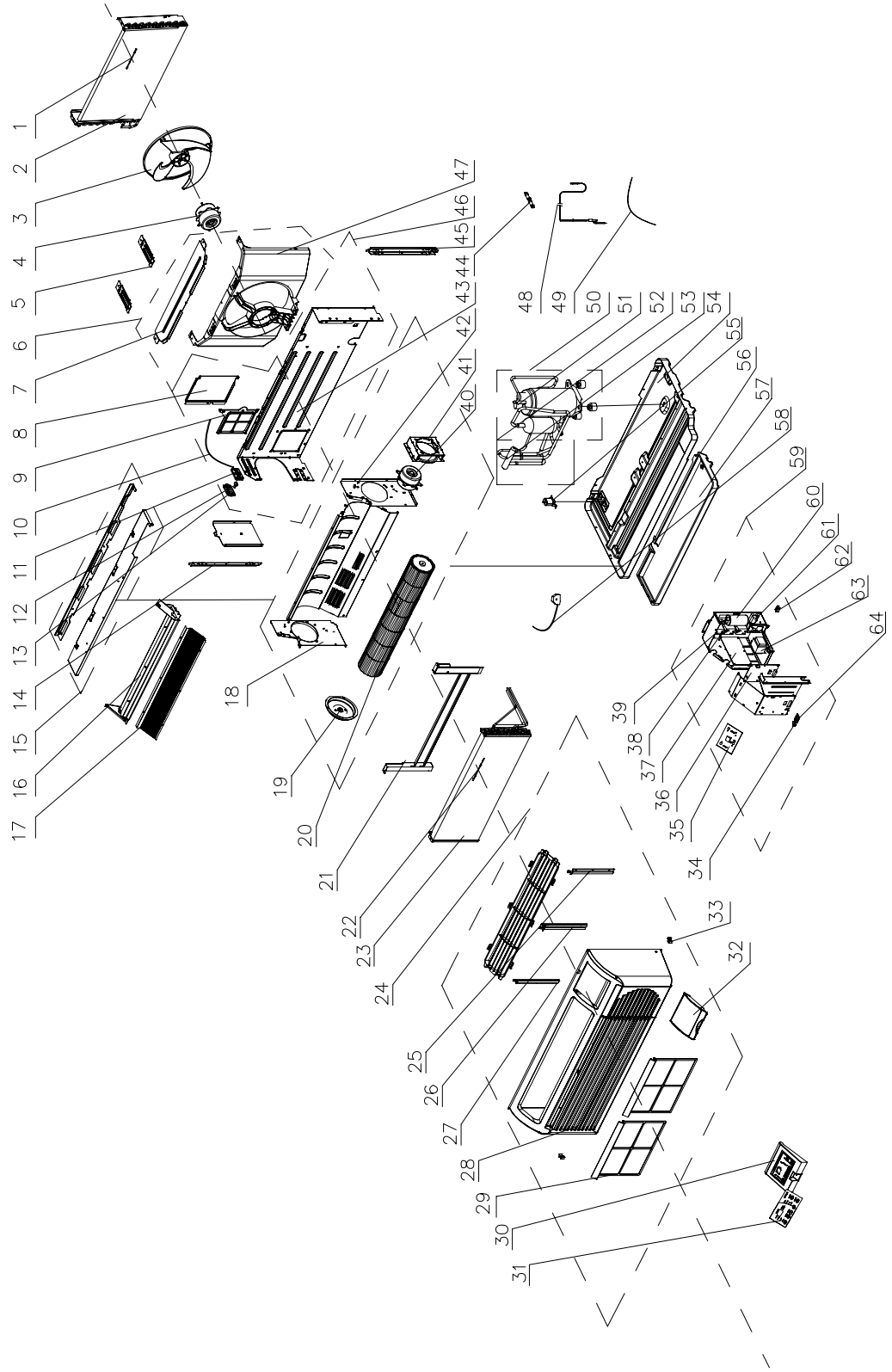


**9,000 BTU Heat Pump 208/230 Volt 15 Amp  
Model Number: ETAC-09HP230V15A  
Gree Engineering Number: GAA09AB-D3RNB5C**

NO.	Part Code	Part Description	Qty
1	390002073	Outdoor Coil Temperature Sensor	1
2	1101348	Condenser Coil Assy	1
2	1101099	Condenser Coil Assy (CP Models Only)	1
3	10331004	Outdoor Axial Flow Fan Blade	1
4	1501180303	Outdoor Fan Motor	1
5	1381004	Shroud Support Bracket	2
6	1037100912	Condenser Shroud	1
7	01251028P	Condenser Shroud Cover	1
8	1441015	Vent Inlet Door Sub-Assy	1
9	11121213	Vent Air Filter Sub-Assy	1
10	2121014	Vent Door Cable	1
11	26231155	Vent Lever Lower Cover	1
12	26231153	Vent Hand Lever	1
13	26231154	Vent Lever Upper Cover	1
14	1701038	Outer Support Sub-assy(Left)	1
15	1251013	Top Cover Plate Sub-Assy	1
16	02121028P	Helicoid Tongue sub-assy	1
17	1471017	Discharge Air Screen	1
18	02121024P	Left Side Board of Duct	1
19	26151139	Glue Seat of Bearing	1
20	10351002	Indoor Blower Wheel/Cross Flow Fan	1
21	320000204	Electric Heater	1
22	390000596	Indoor Coil Temperature Sensor	1
23	100128401	Evaporator Coil Assy	1
24	2000147503	Front Panel Assy	1
25	26111139	Indoor Air Filter Supports (right)	1
26	26111140	Indoor Air Filter Supports (center)	1
27	26111141	Indoor Air Filter Supports (left)	1
28	20001673	Front Panel	1
29	11121212	Indoor Air Filter	2
30	2012110802	LCD Cover Sub-Assy	1
31	6306130902	Membrane Keypad	1
32	20121070T	Control Door	1
33	2111013	Front Panel Mounting Clips	2
34	42010037	Wiring Terminal	1
35	30562050	Display Board	1
36	30132043	Main Relay/Power Circuit Board	1

NO.	Part Code	Part Description	Qty
37	30132118	Main Control Board	1
38	33010089	Capacitor	1
39	33010025	Capacitor CBB61	1
40	15011802	Indoor Fan Motor	1
41	01701014P	Motor Support Sub-Assy	1
42	02121023P	Right Side Board of Duct	1
43	01231079P	Mid Clapboard	1
44	7133001	One Way Valve	1
45	1701039	Outer Mounting Brackets (Right)	1
46	1231154	Mid Clapboard Assy	1
47	10371213	Diversion Circle	1
48	3001767	Capillary Sub-Assy	1
49	400203631	Power Cord(LCDI)	1
50	101049	Compressor and Fittings	1
51	built in	Compressor Overload Protector(External)	1
52	3021221	4-Way Valve Assy	1
53	430004022	4-Way Valve	1
54	0120102603P	Chassis Assy	1
55	7101001	Drain Valve	1
56	12411904	Foam Condensate Tray	1
57	2121012	Heater Insulation Plate	1
58	4300040022	Solenoid Coil	1
59	140198923	Electric Box Assy 1	1
60	33000017	Capacitor CBB65 15uF/450V	1
61	42011103	Terminal Board	1
62	49010252	Radiator	1
63	43110270	Transformer	1
64	42010039S	Wiring Terminal	1
Not Shown	76710290	Compressor Grommets	3
Not Shown	22431329	IR Receiver Assy	1
Not Shown	140199003	Electric Box Assy 2	1
Not Shown	3900012123	Indoor Ambient Temperature Sensor	1
Not Shown	122101801	Air Flue Assy	1
Not Shown	22411023	Discharge Air Grille	1
Not Shown	01361014P	Baffle Plate	1
Not Shown	30510092MX	Remote Control	1

**9,000 BTU Heat Pump 208/230 Volt 20 Amp**  
**Model Number: ETAC-09HP230V20A**



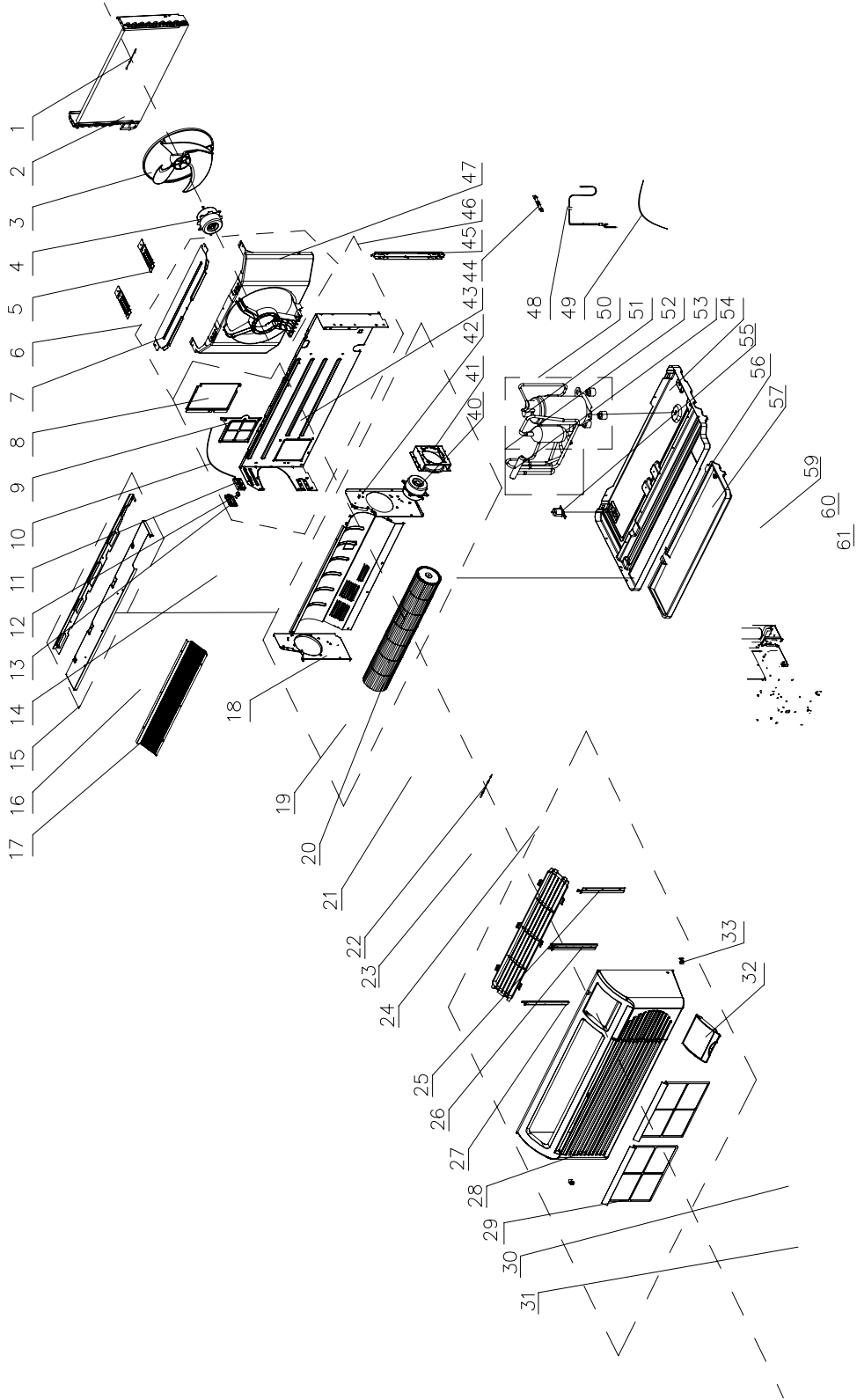


**9,000 BTU Heat Pump 208/230 Volt 20 Amp  
Model Number: ETAC-09HP230V20A  
Gree Engineering Number: GAA09AB-D3RNB5A**

NO.	Part Code	Part Description	Qty
1	390002073	Outdoor Coil Temperature Sensor	1
2	1101348	Condenser Coil Assy	1
2	1101099	Condenser Coil Assy (CP Models Only)	1
3	10331004	Outdoor Axial Flow Fan Blade	1
4	150110343	Outdoor Fan Motor	1
5	1381004	Shroud Support Bracket	2
6	1037100902	Condenser Shroud	1
7	01251028P	Condenser Shroud Cover	1
8	1441015	Vent Inlet Door Sub-Assy	1
9	11121213	Vent Air Filter Sub-Assy	1
10	2121014	Vent Door Cable	1
11	26231155	Vent Lever Lower Cover	1
12	26231153	Vent Hand Lever	1
13	26231154	Vent Lever Upper Cover	1
14	1701038	Outer Support Sub-assy(Left)	1
15	1251013	Top Cover Plate Sub-Assy	1
16	02121028P	Helicoid Tongue sub-assy	1
17	1471017	Discharge Air Screen	1
18	02121024P	Left Side Board of Duct	1
19	26151139	Glue Seat of Bearing	1
20	10351002	Indoor Blower Wheel/Cross Flow Fan	1
21	320000201	Electric Heater	1
22	390000596	Indoor Coil Temperature Sensor	1
23	100128401	Evaporator Coil Assy	1
24	2000147503	Front Panel Assy	1
25	26111139	Indoor Air Filter Supports (right)	1
26	26111140	Indoor Air Filter Supports (center)	1
27	26111141	Indoor Air Filter Supports (left)	1
28	20001673	Front Panel	1
29	11121212	Indoor Air Filter	2
30	2012110802	LCD Cover Sub-Assy	1
31	6306130902	Membrane Keypad	1
32	20121070T	Control Door	1
33	2111013	Front Panel Mounting Clips	2
34	42010037	Wiring Terminal	1
35	30562050	Display Board	1
36	30132043	Main Relay/Power Circuit Board	1

NO.	Part Code	Part Description	Qty
37	30132118	Main Control Board	1
38	33010089	Capacitor	1
39	33010025	Capacitor CBB61	1
40	15011802	Indoor Fan Motor	1
41	01701014P	Motor Support Sub-Assy	1
42	02121023P	Right Side Board of Duct	1
43	01231079P	Mid Clapboard	1
44	7133001	One Way Valve	1
45	1701039	Outer Mounting Brackets (Right)	1
46	1231154	Mid Clapboard Assy	1
47	10371213	Diversion Circle	1
48	3001767	Capillary Sub-Assy	1
49	400203632	Power Cord(LCDI)	1
50	101049	Compressor and Fittings	1
51	none	Compressor Overload Protector(External)	0
52	3021221	4-Way Valve Assy	1
53	430004022	4-Way Valve	1
54	0120102603P	Chassis Assy	1
55	7101001	Drain Valve	1
56	12411904	Foam Condensate Tray	1
57	2121012	Heater Insulation Plate	1
58	4300040022	Solenoid Coil	1
59	140198914	Electric Box Assy 1	1
60	33000017	Capacitor CBB65 15uF/450V	1
61	42011103	Terminal Board	2
62	49010252	Radiator	1
63	43110270	Transformer	1
64	42010039S	Wiring Terminal	1
Not Shown	76710290	Compressor Grommets	3
Not Shown	22431329	IR Receiver Assy	1
Not Shown	140199003	Electric Box Assy 2	1
Not Shown	3900012123	Indoor Ambient Temperature Sensor	1
Not Shown	122101801	Air Flue Assy	1
Not Shown	22411023	Discharge Air Grille	1
Not Shown	01361014P	Baffle Plate	1
Not Shown	30510092MX	Remote Control	1

**12,000 BTU Heat Pump 208/230 Volt 15 Amp  
Model Number: ETAC-12HP230V15A**

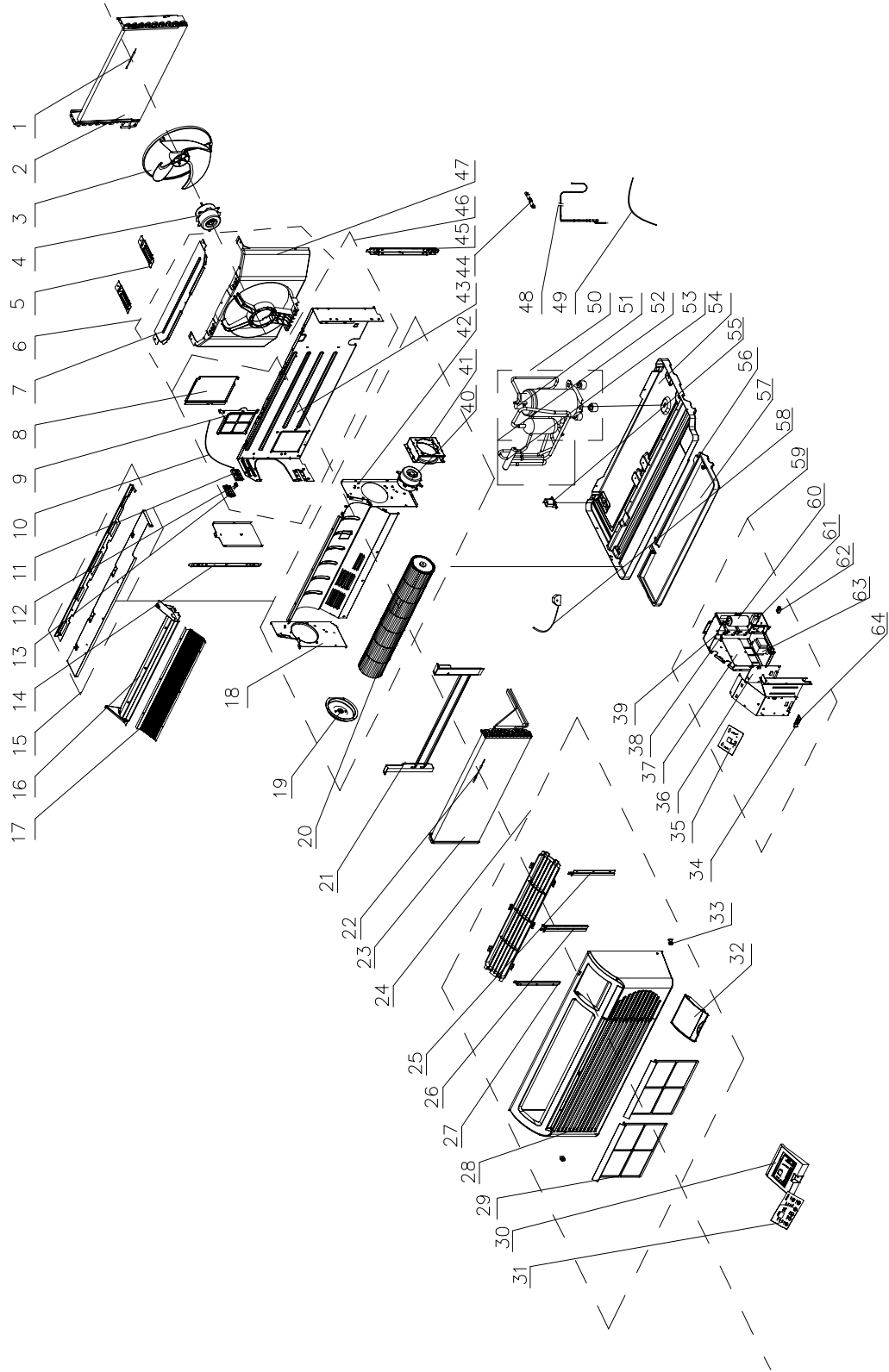


**12,000 BTU Heat Pump 208/230 Volt 15 Amp  
Model Number: ETAC-12HP230V15A  
Gree Engineering Number: GAA12AB-D3RNB5C**

NO.	Part Code	Part Description	Qty
1	390002073	Outdoor Coil Temperature Sensor	1
2	1101348	Condenser Coil Assy	1
2	1101099	Condenser Coil Assy (CP Models Only)	1
3	10331004	Outdoor Axial Flow Fan Blade	1
4	15011803	Outdoor Fan Motor	1
5	1381004	Shroud Support Bracket	2
6	1037100913	Condenser Shroud	1
7	01251028P	Condenser Shroud Cover	1
8	1441015	Vent Inlet Door Sub-Assy	1
9	11121213	Vent Air Filter Sub-Assy	1
10	2121014	Vent Door Cable	1
11	26231155	Vent Lever Lower Cover	1
12	26231153	Vent Hand Lever	1
13	26231154	Vent Lever Upper Cover	1
14	1701038	Outer Support Sub-assy(Left)	1
15	1251013	Top Cover Plate Sub-Assy	1
16	02121028P	Helicoid Tongue sub-assy	1
17	1471017	Discharge Air Screen	1
18	02121024P	Left Side Board of Duct	1
19	26151139	Glue Seat of Bearing	1
20	10351002	Indoor Blower Wheel/Cross Flow Fan	1
21	320000204	Electric Heater	1
22	390000596	Indoor Coil Temperature Sensor	1
23	100128501	Evaporator Coil Assy	1
24	2000147503	Front Panel Assy	1
25	26111139	Indoor Air Filter Supports (right)	1
26	26111140	Indoor Air Filter Supports (center)	1
27	26111141	Indoor Air Filter Supports (left)	1
28	20001673	Front Panel	1
29	11121212	Indoor Air Filter	2
30	2012110802	LCD Cover Sub-Assy	1
31	6306130902	Membrane Keypad	1
32	20121070T	Control Door	1
33	2111013	Front Panel Mounting Clips	2
34	42010037	Wiring Terminal	1
35	30562050	Display Board	1
36	30132043	Main Relay/Power Circuit Board	1

NO.	Part Code	Part Description	Qty
37	30132118	Main Control Board	1
38	33010089	Capacitor	1
39	33010026	Capacitor CBB61	1
40	1501180203	Indoor Fan Motor	1
41	01701014P	Motor Support Sub-Assy	1
42	02121023P	Right Side Board of Duct	1
43	01231079P	Mid Clapboard	1
44	none	One Way Valve	0
45	1701039	Outer Mounting Brackets (Right)	1
46	1231154	Mid Clapboard Assy	1
47	10371213	Diversion Circle	1
48	3001139	Capillary Sub-Assy	1
49	400203631	Power Cord(LCDI)	1
50	101087	Compressor and Fittings	1
51	181071	Compressor Overload Protector(External)	1
52	3021223	4-Way Valve Assy	1
53	430004032	4-Way Valve	1
54	0120102607P	Chassis Assy	1
55	7101001	Drain Valve	1
56	12411904	Foam Condensate Tray	1
57	2121012	Heater Insulation Plate	1
58	4300040022	Solenoid Coil	1
59	140198925	Electric Box Assy 1	1
60	33000018	Capacitor CBB65 15uF/450V	1
61	42011103	Terminal Board	1
62	49010252	Radiator	1
63	43110270	Transformer	1
64	42010039S	Wiring Terminal	1
Not Shown	76711037	Compressor Grommets	3
Not Shown	22431329	IR Receiver Assy	1
Not Shown	140199003	Electric Box Assy 2	1
Not Shown	3900012123	Indoor Ambient Temperature Sensor	1
Not Shown	122101803	Air Flue Assy	1
Not Shown	22411023	Discharge Air Grille	1
Not Shown	01361014P	Baffle Plate	1
Not Shown	30510092MX	Remote Control	1

**12,000 BTU Heat Pump 208/230 Volt 20 Amp**  
**Model Number: ETAC-12HP230V20A**

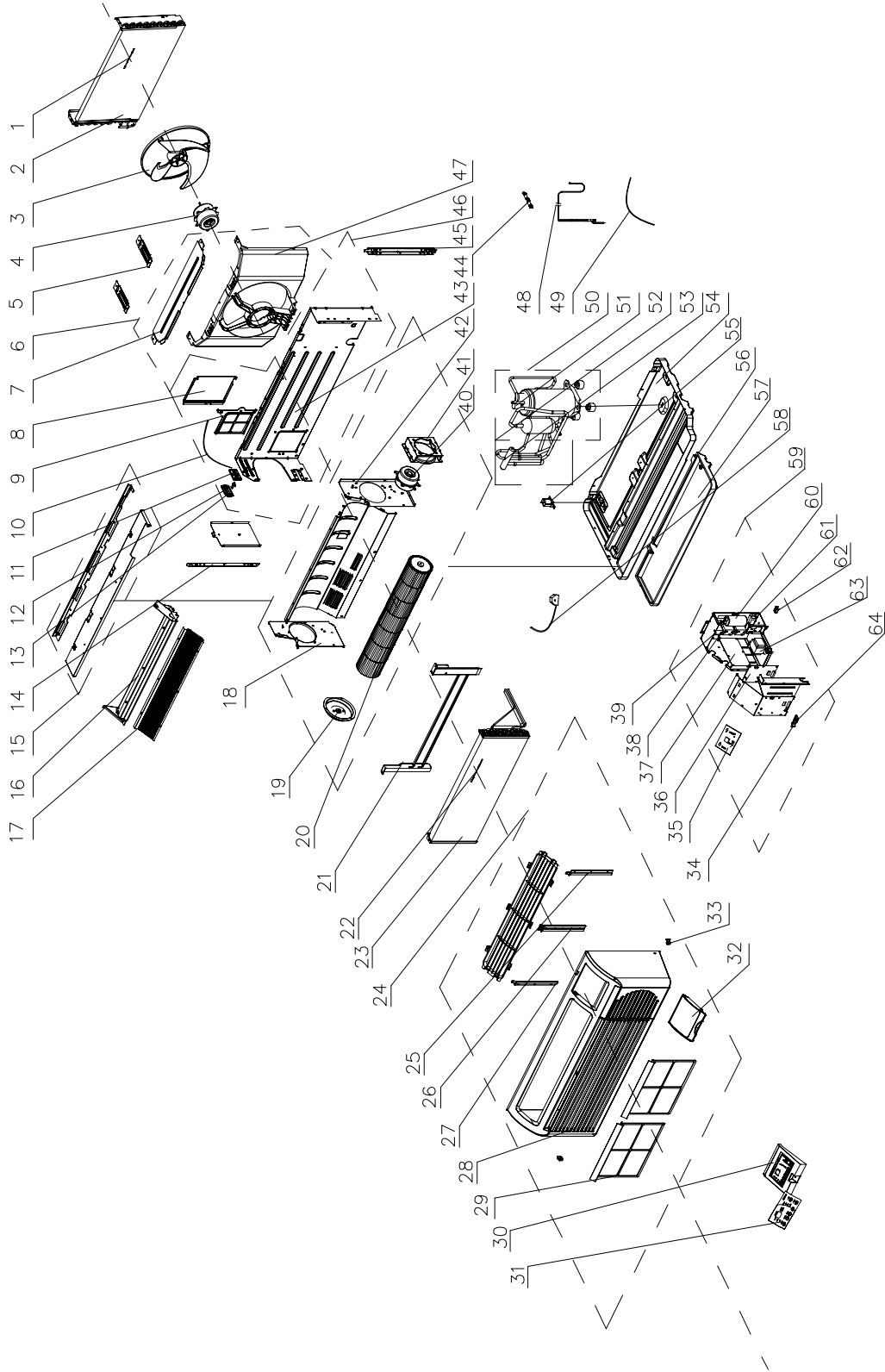


**12,000 BTU Heat Pump 208/230 Volt 20 Amp  
Model Number: ETAC-12HP230V20A  
Gree Engineering Number: GAA12AB-D3RNB5A**

NO.	Part Code	Part Description	Qty
1	390002073	Outdoor Coil Temperature Sensor	1
2	1101348	Condenser Coil Assy	1
2	1101099	Condenser Coil Assy (CP Models Only)	1
3	10331004	Outdoor Axial Flow Fan Blade	1
4	15011047	Outdoor Fan Motor	1
5	1381004	Shroud Support Bracket	2
6	1037100903	Condenser Shroud	1
7	01251028P	Condenser Shroud Cover	1
8	1441015	Vent Inlet Door Sub-Assy	1
9	11121213	Vent Air Filter Sub-Assy	1
10	2121014	Vent Door Cable	1
11	26231155	Vent Lever Lower Cover	1
12	26231153	Vent Hand Lever	1
13	26231154	Vent Lever Upper Cover	1
14	1701038	Outer Support Sub-assy(Left)	1
15	1251013	Top Cover Plate Sub-Assy	1
16	02121028P	Helicoid Tongue sub-assy	1
17	1471017	Discharge Air Screen	1
18	02121024P	Left Side Board of Duct	1
19	26151139	Glue Seat of Bearing	1
20	10351002	Indoor Blower Wheel/Cross Flow Fan	1
21	320000201	Electric Heater	1
22	390000596	Indoor Coil Temperature Sensor	1
23	100128501	Evaporator Coil Assy	1
24	2000147503	Front Panel Assy	1
25	26111139	Indoor Air Filter Supports (right)	1
26	26111140	Indoor Air Filter Supports (center)	1
27	26111141	Indoor Air Filter Supports (left)	1
28	20001673	Front Panel	1
29	11121212	Indoor Air Filter	2
30	2012110802	LCD Cover Sub-Assy	1
31	6306130902	Membrane Keypad	1
32	20121070T	Control Door	1
33	2111013	Front Panel Mounting Clips	2
34	42010037	Wiring Terminal	1
35	30562050	Display Board	1
36	30132043	Main Relay/Power Circuit Board	1

NO.	Part Code	Part Description	Qty
37	30132118	Main Control Board	1
38	33010089	Capacitor	1
39	33010026	Capacitor CBB61	1
40	1501180203	Indoor Fan Motor	1
41	01701014P	Motor Support Sub-Assy	1
42	02121023P	Right Side Board of Duct	1
43	01231079P	Mid Clapboard	1
44	none	One Way Valve	0
45	1701039	Outer Mounting Brackets (Right)	1
46	1231154	Mid Clapboard Assy	1
47	10371213	Diversion Circle	1
48	3001139	Capillary Sub-Assy	1
49	400203632	Power Cord(LCDI)	1
50	101087	Compressor and Fittings	1
51	181071	Compressor Overload Protector(External)	1
52	3021223	4-Way Valve Assy	1
53	430004032	4-Way Valve	1
54	0120102607P	Chassis Assy	1
55	7101001	Drain Valve	1
56	12411904	Foam Condensate Tray	1
57	2121012	Heater Insulation Plate	1
58	4300040022	Solenoid Coil	1
59	140198916	Electric Box Assy 1	1
60	33000018	Capacitor CBB65 15uF/450V	1
61	42011103	Terminal Board	2
62	49010252	Radiator	1
63	43110270	Transformer	1
64	42010039S	Wiring Terminal	1
Not Shown	3900012123	Ambient Temperature Sensor	1
Not Shown	76711037	Compressor Grommets	3
Not Shown	22431329	IR Receiver Assy	1
Not Shown	140199003	Electric Box Assy 2	1
Not Shown	3900012123	Indoor Ambient Temperature Sensor	1
Not Shown	122101803	Air Flue Assy	1
Not Shown	22411023	Discharge Air Grille	1
Not Shown	01361014P	Baffle Plate	1
Not Shown	30510092MX	Remote Control	1

**PTAC 12,000 BTU Heat Pump 208/230 Volt 30 Amp**  
**Model Number: ETAC-12HP230V30A**

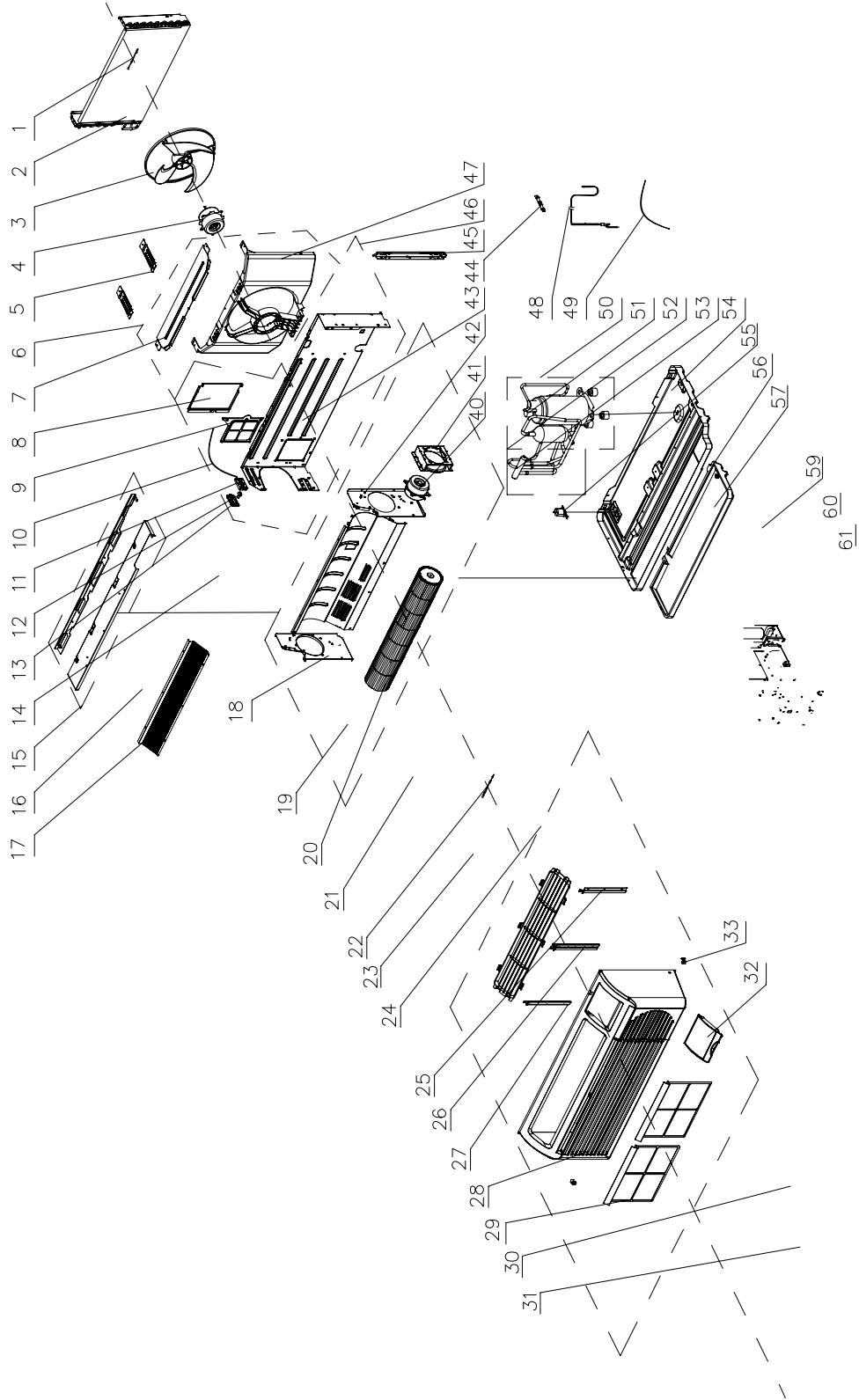


**PTAC 12,000 BTU Heat Pump 208/230 Volt 30 Amp  
Model Number: ETAC-12HP230V30A  
Gree Engineering Number: GAA12AB-D3RNB5B**

NO.	Part Code	Part Description	Qty
1	390002073	Outdoor Coil Temperature Sensor	1
2	1101348	Condenser Coil Assy	1
2	1101099	Condenser Coil Assy (CP Models Only)	1
3	10331004	Outdoor Axial Flow Fan Blade	1
4	15011047	Outdoor Fan Motor	1
5	1381004	Shroud Support Bracket	2
6	1037100903	Condenser Shroud	1
7	01251028P	Condenser Shroud Cover	1
8	1441015	Vent Inlet Door Sub-Assy	1
9	11121213	Vent Air Filter Sub-Assy	1
10	2121014	Vent Door Cable	1
11	26231155	Vent Lever Lower Cover	1
12	26231153	Vent Hand Lever	1
13	26231154	Vent Lever Upper Cover	1
14	1701038	Outer Support Sub-assy(Left)	1
15	1251013	Top Cover Plate Sub-Assy	1
16	02121028P	Helicoid Tongue sub-assy	1
17	1471017	Discharge Air Screen	1
18	02121024P	Left Side Board of Duct	1
19	26151139	Glue Seat of Bearing	1
20	10351002	Indoor Blower Wheel/Cross Flow Fan	1
21	32000002	Electric Heater	1
22	390000596	Indoor Coil Temperature Sensor	1
23	100128501	Evaporator Coil Assy	1
24	2000147503	Front Panel Assy	1
25	26111139	Indoor Air Filter Supports (right)	1
26	26111140	Indoor Air Filter Supports (center)	1
27	26111141	Indoor Air Filter Supports (left)	1
28	20001673	Front Panel	1
29	11121212	Indoor Air Filter	2
30	2012110802	LCD Cover Sub-Assy	1
31	6306130902	Membrane Keypad	1
32	20121070T	Control Door	1
33	2111013	Front Panel Mounting Clips	2
34	42010037	Wiring Terminal	1
35	30562050	Display Board	1
36	30132072	Main Relay/Power Circuit Board	1

NO.	Part Code	Part Description	Qty
37	30132118	Main Control Board	1
38	33010089	Capacitor	1
39	33010026	Capacitor CBB61	1
40	1501180203	Indoor Fan Motor	1
41	01701014P	Motor Support Sub-Assy	1
42	02121023P	Right Side Board of Duct	1
43	01231079P	Mid Clapboard	1
44	none	One Way Valve	0
45	1701039	Outer Mounting Brackets (Right)	1
46	1231154	Mid Clapboard Assy	1
47	10371213	Diversion Circle	1
48	3001139	Capillary Sub-Assy	1
49	4002056001	Power Cord(LCDI)	1
50	101087	Compressor and Fittings	1
51	181071	Compressor Overload Protector(External)	1
52	3021223	4-Way Valve Assy	1
53	430004032	4-Way Valve	1
54	0120102607P	Chassis Assy	1
55	7101001	Drain Valve	1
56	12411904	Foam Condensate Tray	1
57	2121012	Heater Insulation Plate	1
58	4300040022	Solenoid Coil	1
59	140198918	Electric Box Assy 1	1
60	33000018	Capacitor CBB65 15uF/450V	1
61	42011103	Terminal Board	2
62	49010252	Radiator	1
63	43110270	Transformer	1
64	42010039S	Wiring Terminal	1
Not Shown	3900012123	Ambient Temperature Sensor	1
Not Shown	76711037	Compressor Grommets	3
Not Shown	22431329	IR Receiver Assy	1
Not Shown	140199003	Electric Box Assy 2	1
Not Shown	3900012123	Indoor Ambient Temperature Sensor	1
Not Shown	122101803	Air Flue Assy	1
Not Shown	22411023	Discharge Air Grille	1
Not Shown	01361014P	Baffle Plate	1
Not Shown	30510092MX	Remote Control	1

**15,000 BTU Heat Pump 208/230 Volt 20 Amp  
Model Number: ETAC-15HP230V20A**



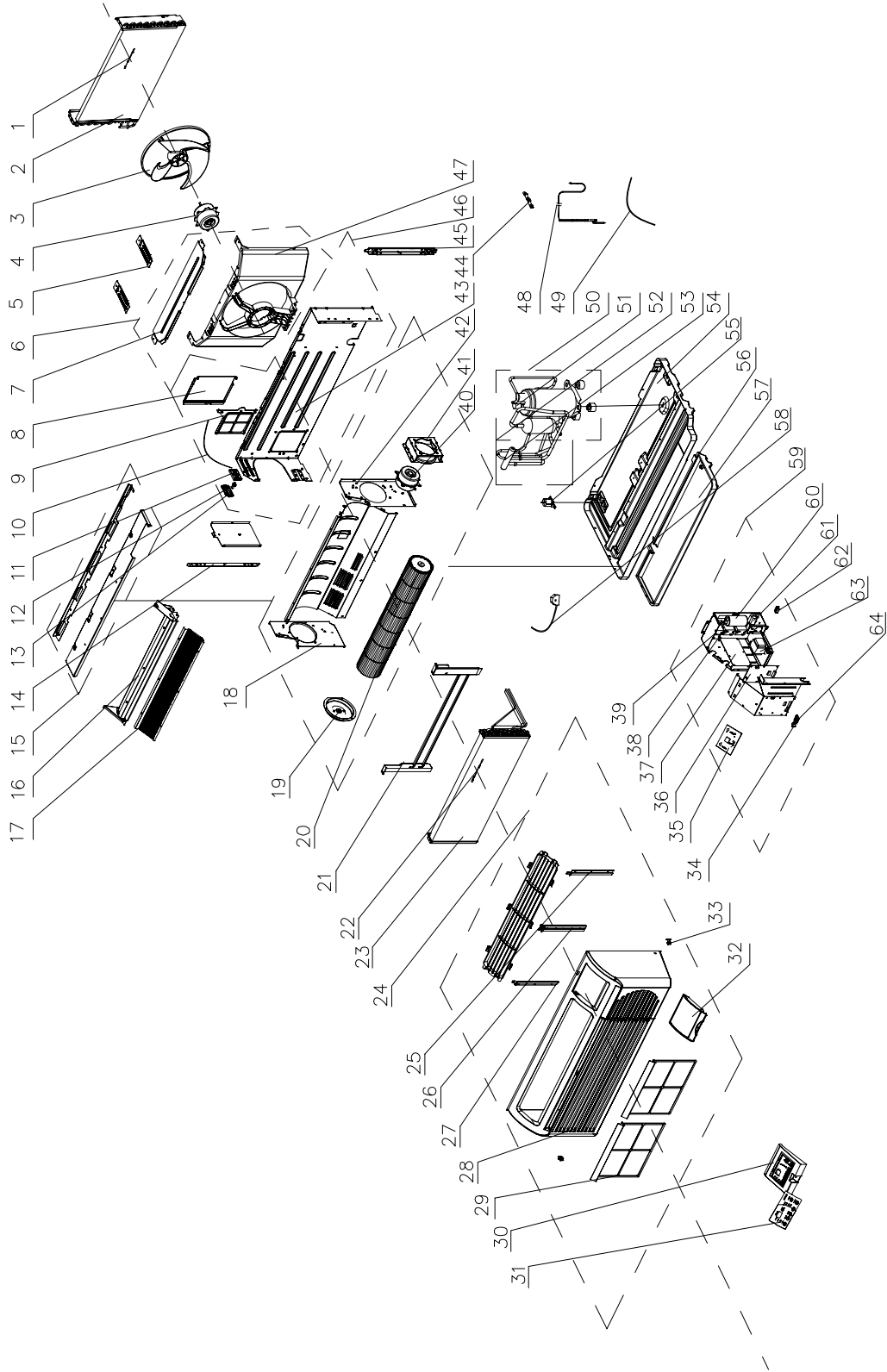


**15,000 BTU Heat Pump 208/230 Volt 20 Amp  
Model Number: ETAC-15HP230V20A  
Gree Engineering Number: GAA15AB-D3RNB5A**

NO.	Part Code	Part Description	Qty
1	390002073	Outdoor Coil Temperature Sensor	1
2	1101191	Condenser Coil Assy	1
2	110119102	Condenser Coil Assy (Cp Model Only)	1
3	10331004	Outdoor Axial Flow Fan Blade	1
4	1501104710	Outdoor Fan Motor	1
5	1381004	Shroud Support Bracket	2
6	10371216	Condenser Shroud	1
7	01251028P	Condenser Shroud Cover	1
8	1441015	Vent Inlet Door Sub-Assy	1
9	11121213	Vent Air Filter Sub-Assy	1
10	2121014	Vent Door Cable	1
11	26231155	Vent Lever Lower Cover	1
12	26231153	Vent Hand Lever	1
13	26231154	Vent Lever Upper Cover	1
14	1701038	Outer Support Sub-assy(Left)	1
15	1251013	Top Cover Plate Sub-Assy	1
16	02121028P	Helicoid Tongue sub-assy	1
17	1471017	Discharge Air Screen	1
18	02121024P	Left Side Board of Duct	1
19	26151139	Glue Seat of Bearing	1
20	10351002	Indoor Blower Wheel/Cross Flow Fan	1
21	320000201	Electric Heater	1
22	390000596	Indoor Coil Temperature Sensor	1
23	100128501	Evaporator Coil Assy	1
24	2000147503	Front Panel Assy	1
25	26111139	Indoor Air Filter Supports (right)	1
26	26111140	Indoor Air Filter Supports (center)	1
27	26111141	Indoor Air Filter Supports (left)	1
28	20001673	Front Panel	1
29	11121212	Indoor Air Filter	2
30	2012110802	LCD Cover Sub-Assy	1
31	6306130902	Membrane Keypad	1
32	20121070T	Control Door	1
33	2111013	Front Panel Mounting Clips	2
34	42010037	Wiring Terminal	1
35	30562050	Display Board	1
36	30132043	Main Relay/Power Circuit Board	1

NO.	Part Code	Part Description	Qty
37	30132118	Main Control Board	1
38	33010089	Capacitor	1
39	33010026	Capacitor CBB61	1
40	1501180203	Indoor Fan Motor	1
41	01701014P	Motor Support Sub-Assy	1
42	02121023P	Right Side Board of Duct	1
43	01231079P	Mid Clapboard	1
44	7133001	One Way Valve	1
45	1701039	Outer Mounting Brackets (Right)	1
46	1231154	Mid Clapboard Assy	1
47	10371213	Diversion Circle	1
48	3001434	Capillary Sub-Assy	1
49	400203632	Power Cord(LCDI)	1
50	101085	Compressor and Fittings	1
51	180326	Compressor Overload Protector(External)	1
52	3021187	4-Way Valve Assy	1
53	430004032	4-Way Valve	1
54	01201026P	Chassis Assy	1
55	7101001	Drain Valve	1
56	12411904	Foam Condensate Tray	1
57	2121012	Heater Insulation Plate	1
58	4300040022	Solenoid Coil	1
59	2601023	Electric Box Assy 1	1
60	3300008108	Capacitor CBB65 15uF/450V	1
61	42011103	Terminal Board	2
62	49010252	Radiator	1
63	43110270	Transformer	1
64	42010039S	Wiring Terminal	1
Not Shown	3900012123	Ambient Temperature Sensor	1
Not Shown	76710216	Compressor Grommets	3
Not Shown	22431329	IR Receiver Assy	1
Not Shown	140199003	Electric Box Assy 2	1
Not Shown	3900012123	Indoor Ambient Temperature Sensor	1
Not Shown	122101803	Air Flue Assy	1
Not Shown	22411023	Discharge Air Grille	1
Not Shown	01361014P	Baffle Plate	1
Not Shown	30510092MX	Remote Control	1

**15,000 BTU Heat Pump 208/230 Volt 30 Amp**  
**Model Number: ETAC-15HP230V30A**

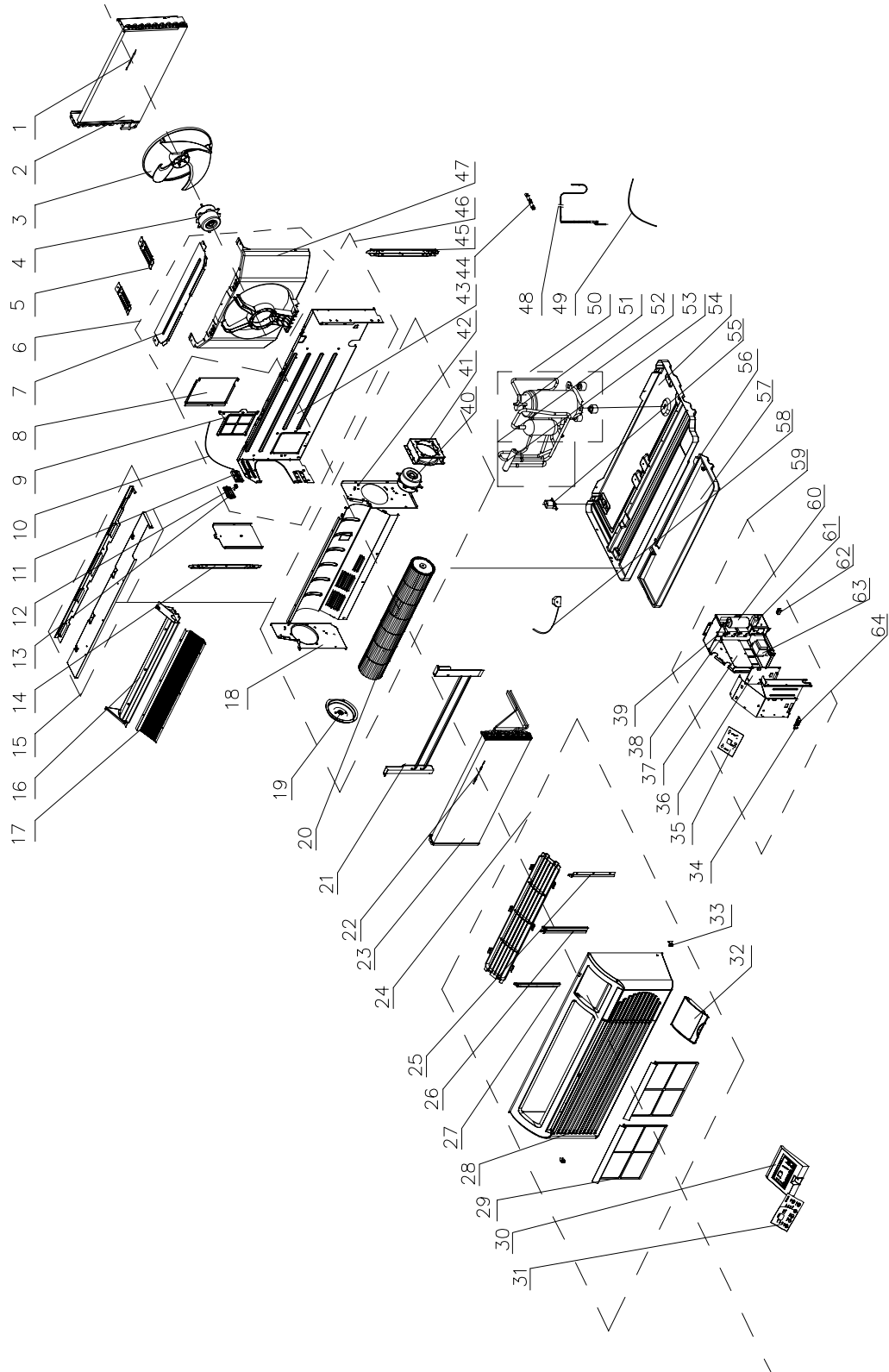


**15,000 BTU Heat Pump 208/230 Volt 30 Amp  
Model Number: ETAC-15HP230V30A  
Gree Engineering Number: GAA15AB-D3RNB5B**

NO.	Part Code	Part Description	Qty
1	390002073	Outdoor Coil Temperature Sensor	1
2	1101191	Condenser Coil Assy	1
2	110119102	Condenser Coil Assy (Cp Model Only)	1
3	10331004	Outdoor Axial Flow Fan Blade	1
4	1501104710	Outdoor Fan Motor	1
5	1381004	Shroud Support Bracket	2
6	1037100908	Condenser Shroud	1
7	01251028P	Condenser Shroud Cover	1
8	1441015	Vent Inlet Door Sub-Assy	1
9	11121213	Vent Air Filter Sub-Assy	1
10	2121014	Vent Door Cable	1
11	26231155	Vent Lever Lower Cover	1
12	26231153	Vent Hand Lever	1
13	26231154	Vent Lever Upper Cover	1
14	1701038	Outer Support Sub-assy(Left)	1
15	1251013	Top Cover Plate Sub-Assy	1
16	02121028P	Helicoid Tongue sub-assy	1
17	1471017	Discharge Air Screen	1
18	02121024P	Left Side Board of Duct	1
19	26151139	Glue Seat of Bearing	1
20	10351002	Indoor Blower Wheel/Cross Flow Fan	1
21	32000002	Electric Heater	1
22	390000596	Indoor Coil Temperature Sensor	1
23	100128501	Evaporator Coil Assy	1
24	2000147503	Front Panel Assy	1
25	26111139	Indoor Air Filter Supports (right)	1
26	26111140	Indoor Air Filter Supports (center)	1
27	26111141	Indoor Air Filter Supports (left)	1
28	20001673	Front Panel	1
29	11121212	Indoor Air Filter	2
30	2012110802	LCD Cover Sub-Assy	1
31	6306130902	Membrane Keypad	1
32	20121070T	Control Door	1
33	2111013	Front Panel Mounting Clips	2
34	42010037	Wiring Terminal	1
35	30562050	Display Board	1
36	30132072	Main Relay/Power Circuit Board	1

NO.	Part Code	Part Description	Qty
37	30132118	Main Control Board	1
38	33010089	Capacitor	1
39	33010026	Capacitor CBB61	1
40	1501180203	Indoor Fan Motor	1
41	01701014P	Motor Support Sub-Assy	1
42	02121023P	Right Side Board of Duct	1
43	01231079P	Mid Clapboard	1
44	none	One Way Valve	0
45	1701039	Outer Mounting Brackets (Right)	1
46	1231154	Mid Clapboard Assy	1
47	10371213	Diversion Circle	1
48	3001434	Capillary Sub-Assy	1
49	4002056001	Power Cord(LCDI)	1
50	101085	Compressor and Fittings	1
51	180326	Compressor Overload Protector(External)	1
52	3021187	4-Way Valve Assy	1
53	430004032	4-Way Valve	1
54	01201026P	Chassis Assy	1
55	7101001	Drain Valve	1
56	12411904	Foam Condensate Tray	1
57	2121012	Heater Insulation Plate	1
58	4300040022	Solenoid Coil	1
59	140198910	Electric Box Assy 1	1
60	33000045	Capacitor CBB65 15uF/450V	1
61	42011103	Terminal Board	2
62	49010252	Radiator	1
63	43110270	Transformer	1
64	42010039S	Wiring Terminal	1
Not Shown	3900012123	Ambient Temperature Sensor	1
Not Shown	76710216	Compressor Grommets	3
Not Shown	22431329	IR Receiver Assy	1
Not Shown	140199003	Electric Box Assy 2	1
Not Shown	3900012123	Indoor Ambient Temperature Sensor	1
Not Shown	122101803	Air Flue Assy	1
Not Shown	22411023	Discharge Air Grille	1
Not Shown	01361014P	Baffle Plate	1
Not Shown	30510092MX	Remote Control	1

**7,000 BTU Heat Pump 265 Volt 20 Amp  
Model Number: ETAC-07HP265V20A**

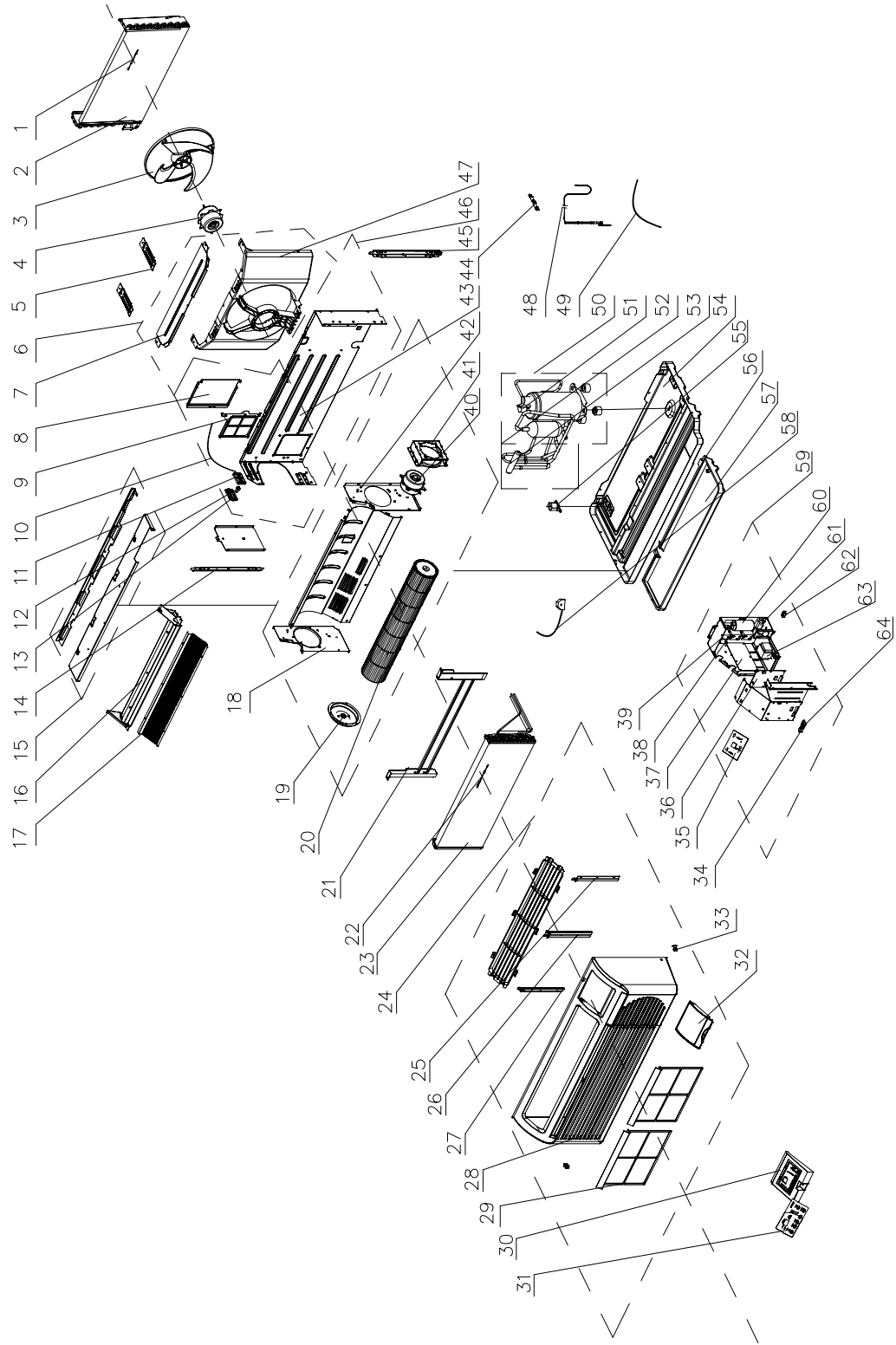


**7,000 BTU Heat Pump 265 Volt 20 Amp  
Model Number: ETAC-07HP265V20A  
Gree Engineering Number: GAA07AB-P3RNB5A**

NO.	Part Code	Part Description	Qty
1	390002073	Outdoor Coil Temperature Sensor	1
2	1101097	Condenser Coil Assy	1
2	110109701	Condenser Coil Assy (CP Model Only)	1
3	10331004	Outdoor Axial Flow Fan Blade	1
4	150110345	Outdoor Fan Motor	1
5	1381004	Shroud Support Bracket	2
6	10371215	Condenser Shroud	1
7	01251028P	Condenser Shroud Cover	1
8	1441015	Vent Inlet Door Sub-Assy	1
9	11121213	Vent Air Filter Sub-Assy	1
10	2121014	Vent Door Cable	1
11	26231155	Vent Lever Lower Cover	1
12	26231153	Vent Hand Lever	1
13	26231154	Vent Lever Upper Cover	1
14	1701038	Outer Support Sub-assy(Left)	1
15	1251013	Top Cover Plate Sub-Assy	1
16	02121028P	Helicoid Tongue sub-assy	1
17	1471017	Discharge Air Screen	1
18	02121024P	Left Side Board of Duct	1
19	26151139	Glue Seat of Bearing	1
20	10351002	Indoor Blower Wheel/Cross Flow Fan	1
21	320000203	Electric Heater	1
22	390000596	Indoor Coil Temperature Sensor	1
23	100106601	Evaporator Coil Assy	1
24	2000147503	Front Panel Assy	1
25	26111139	Indoor Air Filter Supports (right)	1
26	26111140	Indoor Air Filter Supports (center)	1
27	26111141	Indoor Air Filter Supports (left)	1
28	20001673	Front Panel	1
29	11121212	Indoor Air Filter	2
30	20121097	LCD Cover Sub-Assy	1
31	6306130902	Membrane Keypad	1
32	20121070T	Control Door	1
33	2111013	Front Panel Mounting Clips	2
34	42010037	Wiring Terminal	1
35	30562050	Display Board	1
36	30132080	Main Relay/Power Circuit Board	1

NO.	Part Code	Part Description	Qty
37	30132118	Main Control Board	1
38	33010089	Capacitor	1
39	33010020	Capacitor CBB61	1
40	1501180201	Indoor Fan Motor	1
41	01701014P	Motor Support Sub-Assy	1
42	02121023P	Right Side Board of Duct	1
43	01231079P	Mid Clapboard	1
44	7133001	One Way Valve	1
45	1701039	Outer Mounting Brackets (Right)	1
46	1231154	Mid Clapboard Assy	1
47	10371213	Diversion Circle	1
48	3001491	Capillary Sub-Assy	1
49	40020005	Power Cord(LCDI)	1
50	101060	Compressor and Fittings	1
51	180302	Compressor Overload Protector(External)	1
52	3021222	4-Way Valve Assy	1
53	430004022	4-Way Valve	1
54	0120102601P	Chassis Assy	1
55	7101001	Drain Valve	1
56	12411904	Foam Condensate Tray	1
57	2121012	Heater Insulation Plate	1
58	4300040026	Solenoid Coil	1
59	140198212	Electric Box Assy 1	1
60	33010045	Capacitor CBB65 15uF/450V	1
61	42011103	Terminal Board	2
62	49010252	Radiator	1
63	43110269	Transformer	1
64	42010039S	Wiring Terminal	1
Not Shown	76710223	Compressor Grommets	3
Not Shown	22431329	IR Receiver Assy	1
Not Shown	140199003	Electric Box Assy 2	1
Not Shown	3900012123	Indoor Ambient Temperature Sensor	1
Not Shown	122101801	Air Flue Assy	1
Not Shown	22411023	Discharge Air Grille	1
Not Shown	01361014P	Baffle Plate	1
Not Shown	30510092MX	Remote Control	1

**9,000 BTU Heat Pump 265 Volt 20 Amp  
Model Number: ETAC-09HP265V20A**

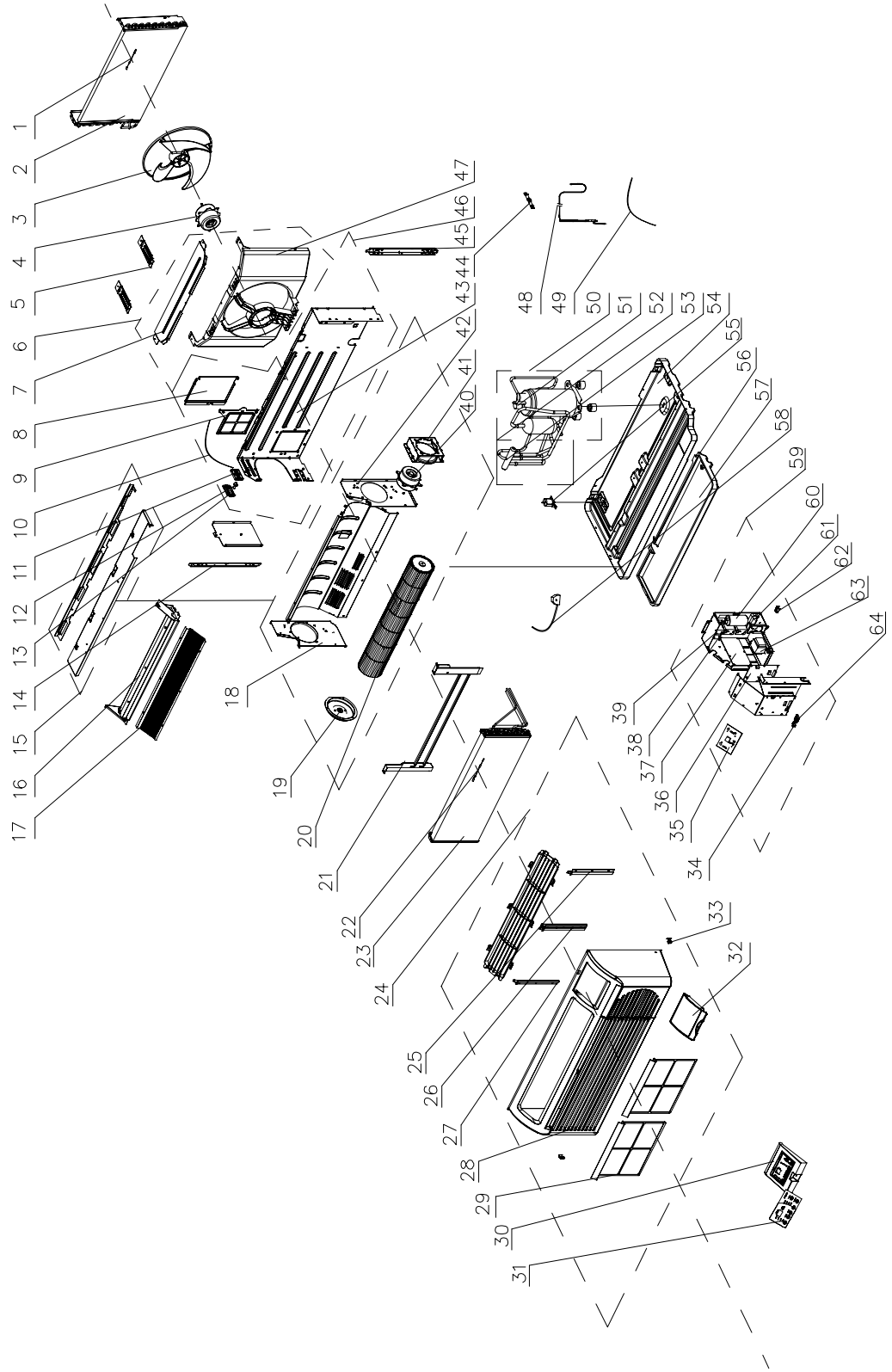


**9,000 BTU Heat Pump 265 Volt 20 Amp  
Model Number: ETAC-09HP265V20A  
Gree Engineering Number: GAA09AB-P3RNB5A**

NO.	Part Code	Part Description	Qty
1	390002073	Outdoor Coil Temperature Sensor	1
2	1101348	Condenser Coil Assy	1
2	1101099	Condenser Coil Assy (CP Models)	1
3	10331004	Outdoor Axial Flow Fan Blade	1
4	150110342	Outdoor Fan Motor	1
5	1381004	Shroud Support Bracket	2
6	10371215	Condenser Shroud	1
7	01251028P	Condenser Shroud Cover	1
8	1441015	Vent Inlet Door Sub-Assy	1
9	11121213	Vent Air Filter Sub-Assy	1
10	2121014	Vent Door Cable	1
11	26231155	Vent Lever Lower Cover	1
12	26231153	Vent Hand Lever	1
13	26231154	Vent Lever Upper Cover	1
14	1701038	Outer Support Sub-assy(Left)	1
15	1251013	Top Cover Plate Sub-Assy	1
16	02121028P	Helicoid Tongue sub-assy	1
17	1471017	Discharge Air Screen	1
18	02121024P	Left Side Board of Duct	1
19	26151139	Glue Seat of Bearing	1
20	10351002	Indoor Blower Wheel/Cross Flow Fan	1
21	320000203	Electric Heater	1
22	390000596	Indoor Coil Temperature Sensor	1
23	100128401	Evaporator Coil Assy	1
24	2000147503	Front Panel Assy	1
25	26111139	Indoor Air Filter Supports (right)	1
26	26111140	Indoor Air Filter Supports (center)	1
27	26111141	Indoor Air Filter Supports (left)	1
28	20001673	Front Panel	1
29	11121212	Indoor Air Filter	2
30	20121097	LCD Cover Sub-Assy	1
31	6306130902	Membrane Keypad	1
32	20121070T	Control Door	1
33	2111013	Front Panel Mounting Clips	2
34	42010037	Wiring Terminal	1
35	30562050	Display Board	1
36	30132080	Main Relay/Power Circuit Board	1

NO.	Part Code	Part Description	Qty
37	30132118	Main Control Board	1
38	33010089	Capacitor	1
39	33010025	Capacitor CBB61	1
40	1501180201	Indoor Fan Motor	1
41	01701014P	Motor Support Sub-Assy	1
42	02121023P	Right Side Board of Duct	1
43	01231079P	Mid Clapboard	1
44	none	One Way Valve	1
45	1701039	Outer Mounting Brackets (Right)	1
46	1231154	Mid Clapboard Assy	1
47	10371213	Diversion Circle	1
48	3001955	Capillary Sub-Assy	1
49	40020005	Power Cord(LCDI)	1
50	101052	Compressor and Fittings	1
51	181024	Compressor Overload Protector(External)	1
52	3021505	4-Way Valve Assy	1
53	430004022	4-Way Valve	1
54	0120102604P	Chassis Assy	1
55	7101001	Drain Valve	1
56	12411904	Foam Condensate Tray	1
57	2121012	Heater Insulation Plate	1
58	4300040026	Solenoid Coil	1
59	140198214	Electric Box Assy 1	1
60	33010045	Capacitor CBB65 15uF/450V	1
61	42011103	Terminal Board	2
62	49010252	Radiator	1
63	43110269	Transformer	1
64	42010039S	Wiring Terminal	1
Not Shown	76710290	Compressor Grommets	3
Not Shown	22431329	IR Receiver Assy	1
Not Shown	140199003	Electric Box Assy 2	1
Not Shown	3900012123	Indoor Ambient Temperature Sensor	1
Not Shown	122101801	Air Flue Assy	1
Not Shown	22411023	Discharge Air Grille	1
Not Shown	01361014P	Baffle Plate	1
Not Shown	30510092MX	Remote Control	1

**12,000 BTU Heat Pump 265 Volt 20 Amp**  
**Model Number: ETAC-12HP265V20A**



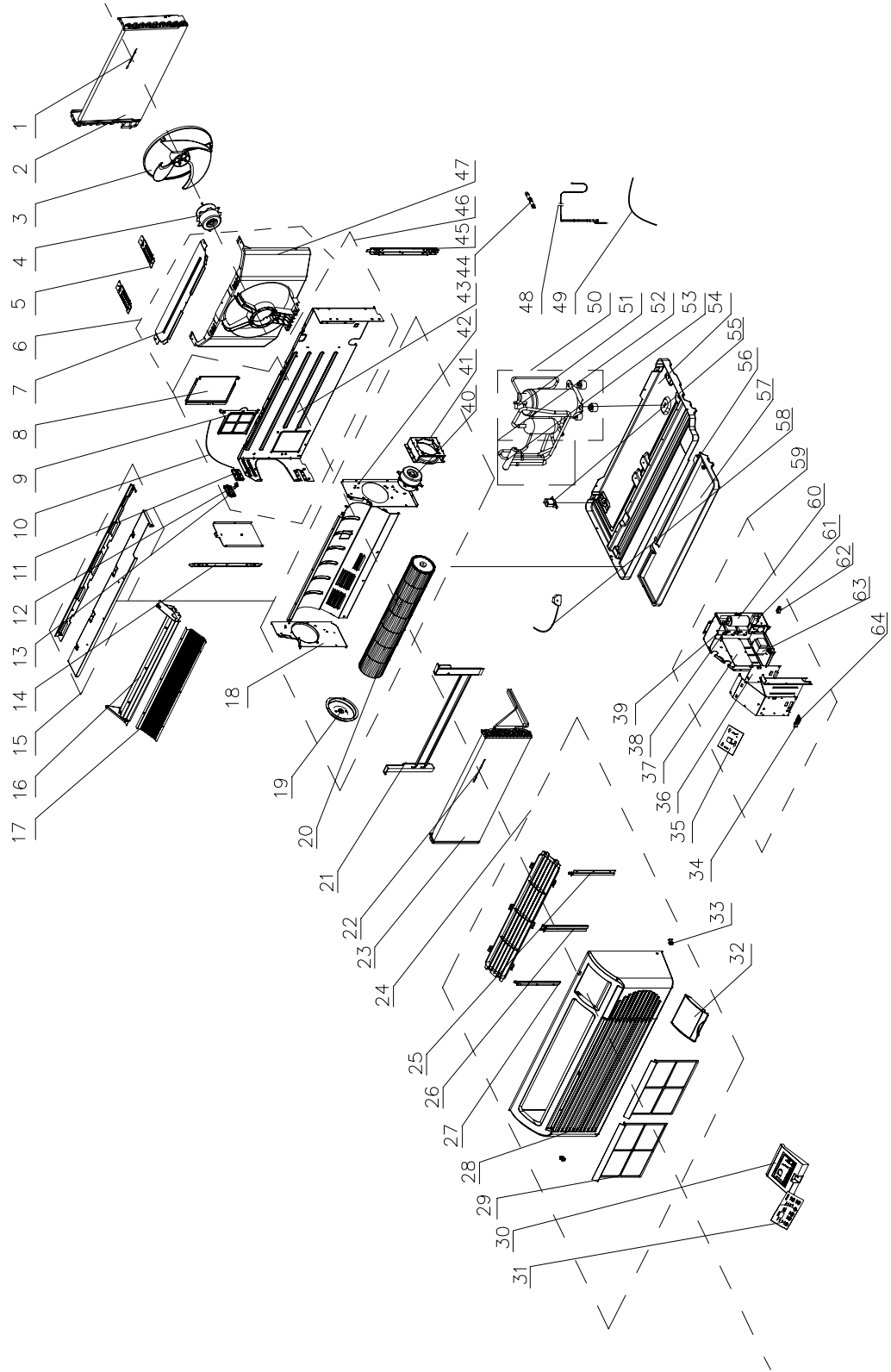


**12,000 BTU Heat Pump 265 Volt 20 Amp  
Model Number: ETAC-12HP265V20A  
Gree Engineering Number: GAA12AB-P3RNB5A**

NO.	Part Code	Part Description	Qty
1	390002073	Outdoor Coil Temperature Sensor	1
2	1101348	Condenser Coil Assy	1
2	1101099	Condenser Coil Assy (CP Models Only)	1
3	10331004	Outdoor Axial Flow Fan Blade	1
4	150110342	Outdoor Fan Motor	1
5	1381004	Shroud Support Bracket	2
6	1037100901	Condenser Shroud	1
7	01251028P	Condenser Shroud Cover	1
8	1441015	Vent Inlet Door Sub-Assy	1
9	11121213	Vent Air Filter Sub-Assy	1
10	2121014	Vent Door Cable	1
11	26231155	Vent Lever Lower Cover	1
12	26231153	Vent Hand Lever	1
13	26231154	Vent Lever Upper Cover	1
14	1701038	Outer Support Sub-assy(Left)	1
15	1251013	Top Cover Plate Sub-Assy	1
16	02121028P	Helicoid Tongue sub-assy	1
17	1471017	Discharge Air Screen	1
18	02121024P	Left Side Board of Duct	1
19	26151139	Glue Seat of Bearing	1
20	10351002	Indoor Blower Wheel/Cross Flow Fan	1
21	320000203	Electric Heater	1
22	390000596	Indoor Coil Temperature Sensor	1
23	100128501	Evaporator Coil Assy	1
24	2000147503	Front Panel Assy	1
25	26111139	Indoor Air Filter Supports (right)	1
26	26111140	Indoor Air Filter Supports (center)	1
27	26111141	Indoor Air Filter Supports (left)	1
28	20001673	Front Panel	1
29	11121212	Indoor Air Filter	2
30	2012110802	LCD Cover Sub-Assy	1
31	6306130902	Membrane Keypad	1
32	20121070T	Control Door	1
33	2111013	Front Panel Mounting Clips	2
34	42010037	Wiring Terminal	1
35	30562050	Display Board	1
36	30132080	Main Relay/Power Circuit Board	1

NO.	Part Code	Part Description	Qty
37	30132118	Main Control Board	1
38	33010020	Capacitor	1
39	33010026	Capacitor CBB61	1
40	1501180205	Indoor Fan Motor	1
41	01701014P	Motor Support Sub-Assy	1
42	02121023P	Right Side Board of Duct	1
43	01231079P	Mid Clapboard	1
44	none	One Way Valve	0
45	1701039	Outer Mounting Brackets (Right)	1
46	1231154	Mid Clapboard Assy	1
47	10371213	Diversion Circle	1
48	3001956	Capillary Sub-Assy	1
49	40020005	Power Cord(LCDI)	1
50	101054	Compressor and Fittings	1
51	180151	Compressor Overload Protector(External)	1
52	3021012	4-Way Valve Assy	1
53	430004032	4-Way Valve	1
54	0120102604P	Chassis Assy	1
55	7101001	Drain Valve	1
56	12411904	Foam Condensate Tray	1
57	2121012	Heater Insulation Plate	1
58	4300040026	Solenoid Coil	1
59	140198906	Electric Box Assy 1	1
60	33000017	Capacitor CBB65 15uF/450V	1
61	42011103	Terminal Board	2
62	49010252	Radiator	1
63	43110269	Transformer	1
64	42010039S	Wiring Terminal	1
Not Shown	76711002	Compressor Grommets	3
Not Shown	22431329	IR Receiver Assy	1
Not Shown	140199003	Electric Box Assy 2	1
Not Shown	3900012123	Indoor Ambient Temperature Sensor	1
Not Shown	122101807	Air Flue Assy	1
Not Shown	22411023	Discharge Air Grille	1
Not Shown	01361014P	Baffle Plate	1
Not Shown	30510092MX	Remote Control	1

**12,000 BTU Heat Pump 265 Volt 30 Amp**  
**Model Number: ETAC-12HP265V30A**

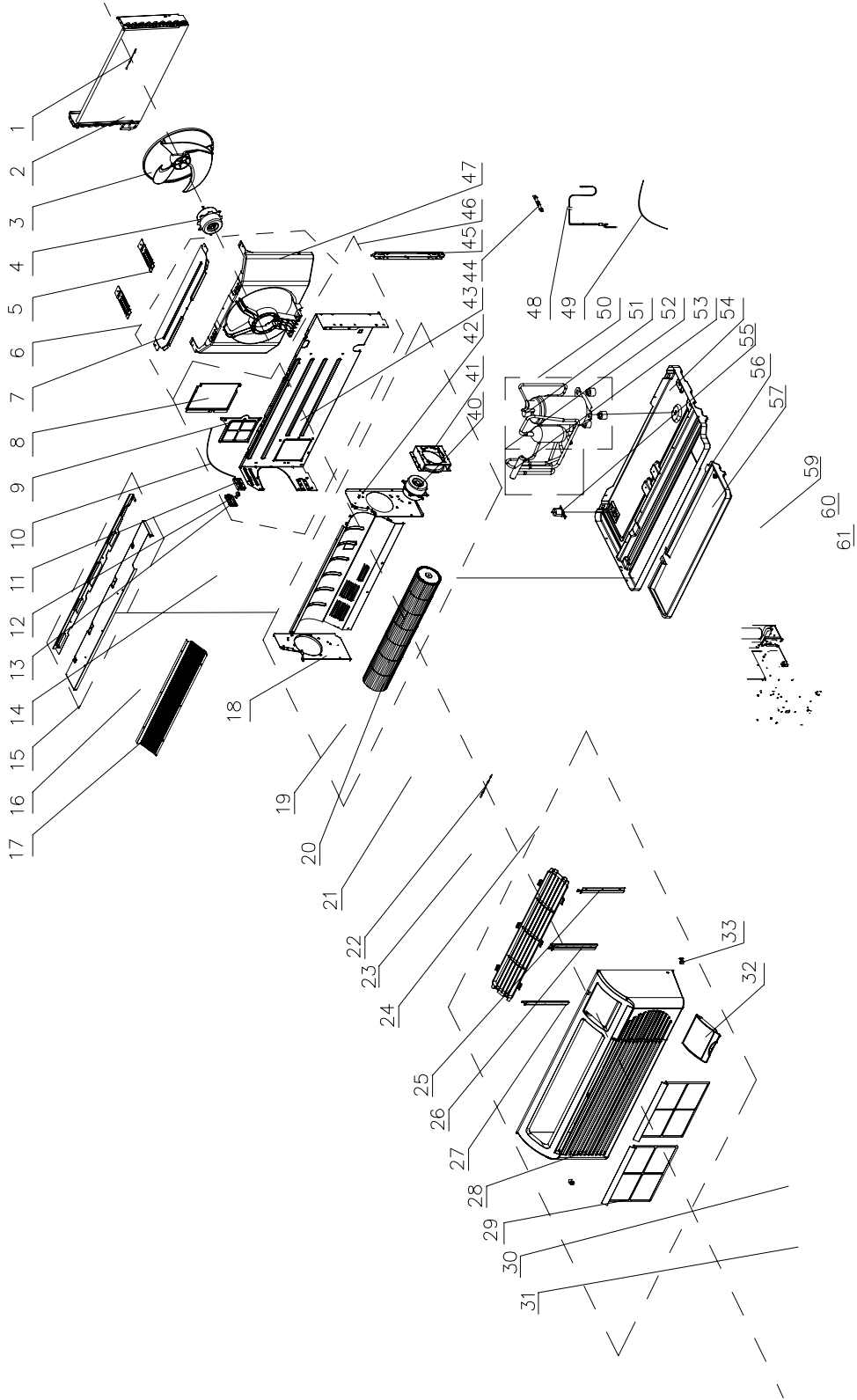


**12,000 BTU Heat Pump 265 Volt 30 Amp  
Model Number: ETAC-12HP265V30A  
Gree Engineering Number: GAA12AB-P3RNB5B**

NO.	Part Code	Part Description	Qty
1	390002073	Outdoor Coil Temperature Sensor	1
2	1101348	Condenser Coil Assy	1
2	1101099	Condenser Coil Assy (CP Models Only)	1
3	10331004	Outdoor Axial Flow Fan Blade	1
4	150110342	Outdoor Fan Motor	1
5	1381004	Shroud Support Bracket	2
6	10371215	Condenser Shroud	1
7	01251028P	Condenser Shroud Cover	1
8	1441015	Vent Inlet Door Sub-Assy	1
9	11121213	Vent Air Filter Sub-Assy	1
10	2121014	Vent Door Cable	1
11	26231155	Vent Lever Lower Cover	1
12	26231153	Vent Hand Lever	1
13	26231154	Vent Lever Upper Cover	1
14	1701038	Outer Support Sub-assy(Left)	1
15	1251013	Top Cover Plate Sub-Assy	1
16	02121028P	Helicoid Tongue sub-assy	1
17	1471017	Discharge Air Screen	1
18	02121024P	Left Side Board of Duct	1
19	26151139	Glue Seat of Bearing	1
20	10351002	Indoor Blower Wheel/Cross Flow Fan	1
21	320000202	Electric Heater	1
22	390000596	Indoor Coil Temperature Sensor	1
23	100128501	Evaporator Coil Assy	1
24	2000147503	Front Panel Assy	1
25	26111139	Indoor Air Filter Supports (right)	1
26	26111140	Indoor Air Filter Supports (center)	1
27	26111141	Indoor Air Filter Supports (left)	1
28	20001673	Front Panel	1
29	11121212	Indoor Air Filter	2
30	20121097	LCD Cover Sub-Assy	1
31	6306130902	Membrane Keypad	1
32	20121070T	Control Door	1
33	2111013	Front Panel Mounting Clips	2
34	42010037	Wiring Terminal	1
35	30562050	Display Board	1
36	30132082	Main Relay/Power Circuit Board	1

NO.	Part Code	Part Description	Qty
37	30132118	Main Control Board	1
38	33010020	Capacitor	1
39	33010026	Capacitor CBB61	1
40	1501180205	Indoor Fan Motor	1
41	01701014P	Motor Support Sub-Assy	1
42	02121023P	Right Side Board of Duct	1
43	01231079P	Mid Clapboard	1
44	none	One Way Valve	0
45	1701039	Outer Mounting Brackets (Right)	1
46	1231154	Mid Clapboard Assy	1
47	10371213	Diversion Circle	1
48	3001956	Capillary Sub-Assy	1
49	4002000501	Power Cord(LCDI)	1
50	101054	Compressor and Fittings	1
51	180151	Compressor Overload Protector(External)	1
52	3021012	4-Way Valve Assy	1
53	430004032	4-Way Valve	1
54	0120102604P	Chassis Assy	1
55	7101001	Drain Valve	1
56	12411904	Foam Condensate Tray	1
57	2121012	Heater Insulation Plate	1
58	4300040026	Solenoid Coil	1
59	140198218	Electric Box Assy 1	1
60	33000017	Capacitor CBB65 15uF/450V	1
61	42011103	Terminal Board	2
62	49010252	Radiator	1
63	43110269	Transformer	1
64	42010039S	Wiring Terminal	1
Not Shown	76711002	Compressor Grommets	3
Not Shown	22431329	IR Receiver Assy	1
Not Shown	140199003	Electric Box Assy 2	1
Not Shown	3900012123	Indoor Ambient Temperature Sensor	1
Not Shown	122101807	Air Flue Assy	1
Not Shown	22411023	Discharge Air Grille	1
Not Shown	01361014P	Baffle Plate	1
Not Shown	30510092MX	Remote Control	1

**15,000 BTU Heat Pump 265 Volt 20 Amp  
Model Number: ETAC-15HP265V20A**

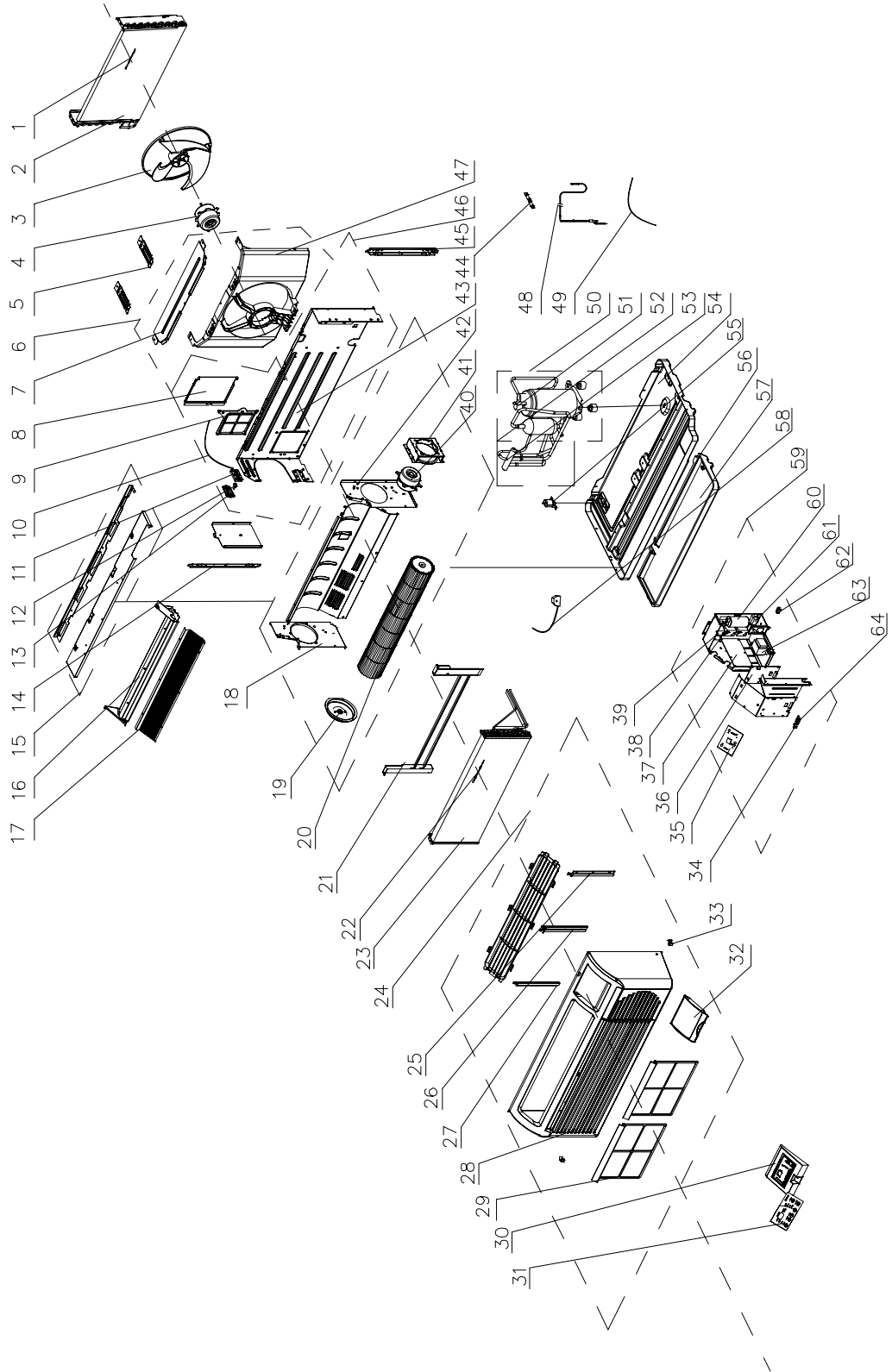


**15,000 BTU Heat Pump 265 Volt 20 Amp  
Model Number: ETAC-15HP265V20A  
Gree Engineering Number: GAA15AB-P3RNB5A**

NO.	Part Code	Part Description	Qty
1	390002073	Outdoor Coil Temperature Sensor	1
2	1101191	Condenser Coil Assy	1
2	110119102	Condenser Coil Assy (Cp Models Only)	1
3	10331004	Outdoor Axial Flow Fan Blade	1
4	150110342	Outdoor Fan Motor	1
5	1381004	Shroud Support Bracket	2
6	1037100901	Condenser Shroud	1
7	01251028P	Condenser Shroud Cover	1
8	1441015	Vent Inlet Door Sub-Assy	1
9	11121213	Vent Air Filter Sub-Assy	1
10	2121014	Vent Door Cable	1
11	26231155	Vent Lever Lower Cover	1
12	26231153	Vent Hand Lever	1
13	26231154	Vent Lever Upper Cover	1
14	1701038	Outer Support Sub-assy(Left)	1
15	1251013	Top Cover Plate Sub-Assy	1
16	02121028P	Helicoid Tongue sub-assy	1
17	1471017	Discharge Air Screen	1
18	02121024P	Left Side Board of Duct	1
19	26151139	Glue Seat of Bearing	1
20	10351002	Indoor Blower Wheel/Cross Flow Fan	1
21	320000203	Electric Heater	1
22	390000596	Indoor Coil Temperature Sensor	1
23	100128501	Evaporator Coil Assy	1
24	2000147503	Front Panel Assy	1
25	26111139	Indoor Air Filter Supports (right)	1
26	26111140	Indoor Air Filter Supports (center)	1
27	26111141	Indoor Air Filter Supports (left)	1
28	20001673	Front Panel	1
29	11121212	Indoor Air Filter	2
30	2012110802	LCD Cover Sub-Assy	1
31	6306130902	Membrane Keypad	1
32	20121070T	Control Door	1
33	2111013	Front Panel Mounting Clips	2
34	42010037	Wiring Terminal	1
35	30562050	Display Board	1
36	30132080	Main Relay/Power Circuit Board	1

NO.	Part Code	Part Description	Qty
37	30132118	Main Control Board	1
38	33010020	Capacitor	1
39	33010026	Capacitor CBB61	1
40	1501180205	Indoor Fan Motor	1
41	01701014P	Motor Support Sub-Assy	1
42	02121023P	Right Side Board of Duct	1
43	01231079P	Mid Clapboard	1
44	7133001	One Way Valve	1
45	1701039	Outer Mounting Brackets (Right)	1
46	1231154	Mid Clapboard Assy	1
47	10371213	Diversion Circle	1
48	3001972	Capillary Sub-Assy	1
49	40020005	Power Cord(LCDI)	1
50	101091	Compressor and Fittings	1
51	180144	Compressor Overload Protector(External)	1
52	3021187	4-Way Valve Assy	1
53	430004032	4-Way Valve	1
54	01201026P	Chassis Assy	1
55	7101001	Drain Valve	1
56	12411904	Foam Condensate Tray	1
57	2121012	Heater Insulation Plate	1
58	4300040026	Solenoid Coil	1
59	2601028	Electric Box Assy 1	1
60	33000081	Capacitor CBB65 15uF/450V	1
61	42011103	Terminal Board	2
62	49010252	Radiator	1
63	43110269	Transformer	1
64	42010039S	Wiring Terminal	1
Not Shown	76710216	Compressor Grommets	3
Not Shown	22431329	IR Receiver Assy	1
Not Shown	140199003	Electric Box Assy 2	1
Not Shown	3900012123	Indoor Ambient Temperature Sensor	1
Not Shown	122101807	Air Flue Assy	1
Not Shown	22411023	Discharge Air Grille	1
Not Shown	01361014P	Baffle Plate	1
Not Shown	30510092MX	Remote Control	1

**15,000 BTU Heat Pump 265 Volt 30 Amp  
Model Number: ETAC-15HP265V30A**



**15,000 BTU Heat Pump 265 Volt 30 Amp  
Model Number: ETAC-15HP265V30A  
Gree Engineering Number: GAA15AB-P3RNB5B**

NO.	Part Code	Part Description	Qty
1	390002073	Outdoor Coil Temperature Sensor	1
2	1101191	Condenser Coil Assy	1
2	110119102	Condenser Coil Assy (Cp Models Only)	1
3	10331004	Outdoor Axial Flow Fan Blade	1
4	150110342	Outdoor Fan Motor	1
5	1381004	Shroud Support Bracket	2
6	10371215	Condenser Shroud	1
7	01251028P	Condenser Shroud Cover	1
8	1441015	Vent Inlet Door Sub-Assy	1
9	11121213	Vent Air Filter Sub-Assy	1
10	2121014	Vent Door Cable	1
11	26231155	Vent Lever Lower Cover	1
12	26231153	Vent Hand Lever	1
13	26231154	Vent Lever Upper Cover	1
14	1701038	Outer Support Sub-assy(Left)	1
15	1251013	Top Cover Plate Sub-Assy	1
16	02121028P	Helicoid Tongue sub-assy	1
17	1471017	Discharge Air Screen	1
18	02121024P	Left Side Board of Duct	1
19	26151139	Glue Seat of Bearing	1
20	10351002	Indoor Blower Wheel/Cross Flow Fan	1
21	320000202	Electric Heater	1
22	390000596	Indoor Coil Temperature Sensor	1
23	100128501	Evaporator Coil Assy	1
24	2000147503	Front Panel Assy	1
25	26111139	Indoor Air Filter Supports (right)	1
26	26111140	Indoor Air Filter Supports (center)	1
27	26111141	Indoor Air Filter Supports (left)	1
28	20001673	Front Panel	1
29	11121212	Indoor Air Filter	2
30	20121097	LCD Cover Sub-Assy	1
31	6306130902	Membrane Keypad	1
32	20121070T	Control Door	1
33	2111013	Front Panel Mounting Clips	2
34	42010037	Wiring Terminal	1
35	30562050	Display Board	1
36	30132082	Main Relay/Power Circuit Board	1

NO.	Part Code	Part Description	Qty
37	30132118	Main Control Board	1
38	33010020	Capacitor	1
39	33010026	Capacitor CBB61	1
40	1501180205	Indoor Fan Motor	1
41	01701014P	Motor Support Sub-Assy	1
42	02121023P	Right Side Board of Duct	1
43	01231079P	Mid Clapboard	1
44	7133001	One Way Valve	1
45	1701039	Outer Mounting Brackets (Right)	1
46	1231154	Mid Clapboard Assy	1
47	10371213	Diversion Circle	1
48	3001972	Capillary Sub-Assy	1
49	4002000501	Power Cord(LCDI)	1
50	101091	Compressor and Fittings	1
51	180144	Compressor Overload Protector(External)	1
52	3021187	4-Way Valve Assy	1
53	430004032	4-Way Valve	1
54	01201026P	Chassis Assy	1
55	7101001	Drain Valve	1
56	12411904	Foam Condensate Tray	1
57	2121012	Heater Insulation Plate	1
58	4300040026	Solenoid Coil	1
59	140198210	Electric Box Assy 1	1
60	33000017	Capacitor CBB65 15uF/450V	1
61	42011103	Terminal Board	2
62	49010252	Radiator	1
63	43110269	Transformer	1
64	42010039S	Wiring Terminal	1
Not Shown	76710216	Compressor Grommets	3
Not Shown	22431329	IR Receiver Assy	1
Not Shown	140199003	Electric Box Assy 2	1
Not Shown	3900012123	Indoor Ambient Temperature Sensor	1
Not Shown	122101807	Air Flue Assy	1
Not Shown	22411023	Discharge Air Grille	1
Not Shown	01361014P	Baffle Plate	1
Not Shown	30510092MX	Remote Control	1

