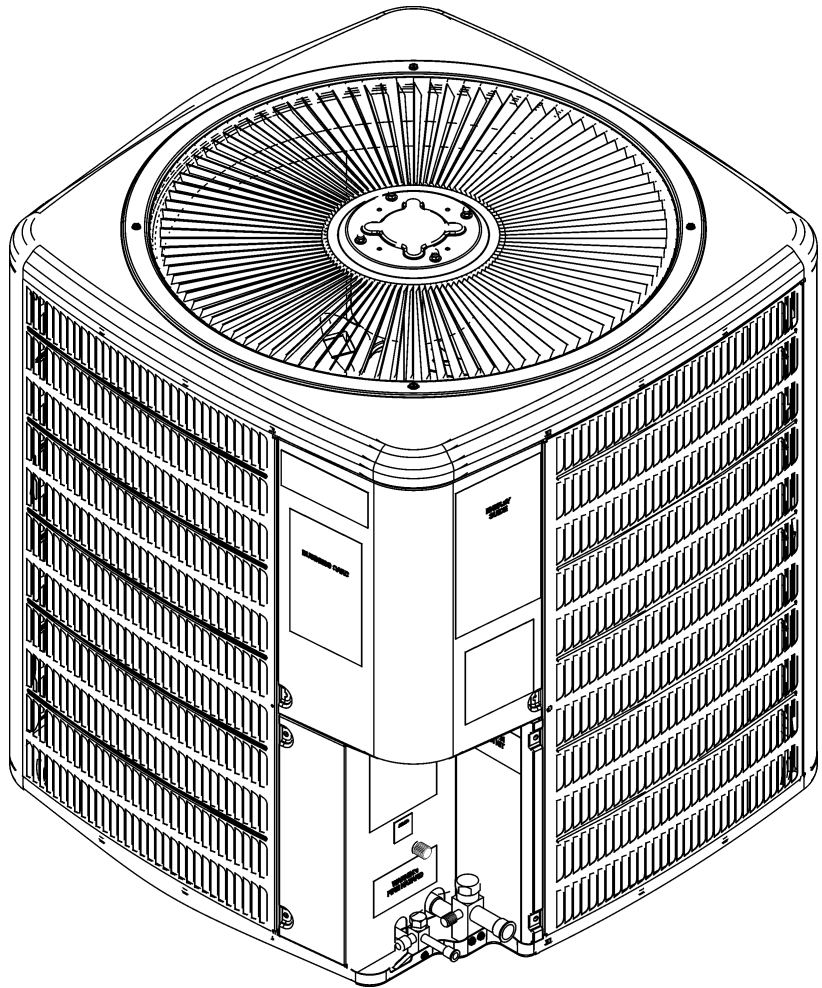


# REPAIR PARTS

## SSZ16 SEER Remote Heat Pumps

SSZ160241AA  
SSZ160241AB  
SSZ160241AC  
SSZ160241AD  
SSZ160241AE  
SSZ160241AF  
SSZ160241AG  
SSZ160241AH  
SSZ160241AJ  
SSZ160241AK  
SSZ160361AA  
SSZ160361AB  
SSZ160361AC  
SSZ160361AD  
SSZ160361AE  
SSZ160361AF  
SSZ160481AA  
SSZ160481AB  
SSZ160481AC  
SSZ160481AD  
SSZ160481AE  
SSZ160481AF  
SSZ160601AA  
SSZ160601AB  
SSZ160601AC  
SSZ160601AD  
SSZ160601AE  
SSZ160601BA  
SSZ160601BB  
SSZ160601BC



This manual is to be used by qualified technicians only.

This manual replaces RP-362J.

© 2006-2014, 2016 Goodman Manufacturing Company, L.P. ♦ 5151 San Felipe St., Suite 500 ♦ Houston, TX 77056

# Important Information

---

## Index

Functional Parts List .....	3
Illustration and Parts .....	4 - 11

*Views shown are for parts illustrations only, not servicing procedures*

### Text Codes:

AR - As Required

NA - Not Available

NS - Not Shown

00000000 - See Note

QTY - Quantity Example (QTY 3) (If Quantity not shown, Quantity = 1)

M - Model Example (M1) (If M Code not shown, then part is used on all Models)

### Expanded Model Nomenclature:

Example M1 - Model#1 M2 - Model#2 M3 - Model#3
---

Goodman Manufacturing Company, L.P. is not responsible for personal injury or property damage resulting from improper service. Review all service information before beginning repairs.

Warranty service must be performed by an authorized technician, using authorized factory parts. If service is required after the warranty expires, Goodman Manufacturing Company, L.P. also recommends contacting an authorized technician and using authorized factory parts.

Goodman Manufacturing Company, L.P. reserves the right to discontinue, or change at any time, specifications or designs without notice or without incurring obligations.

For assistance within the U.S.A. contact:  
Homeowner Support  
Goodman Manufacturing Company, L.P.  
19001 Kermier Road  
Waller, Texas 77484  
877-254-4729-Telephone  
713-863-2382-Facsimile

For assistance outside the U.S.A. contact:  
International Division  
Goodman Manufacturing Company, L.P.  
19001 Kermier Road  
Waller, Texas 77484  
713-861-2500-Telephone  
713-863-2382-Facsimile

# Functional Parts

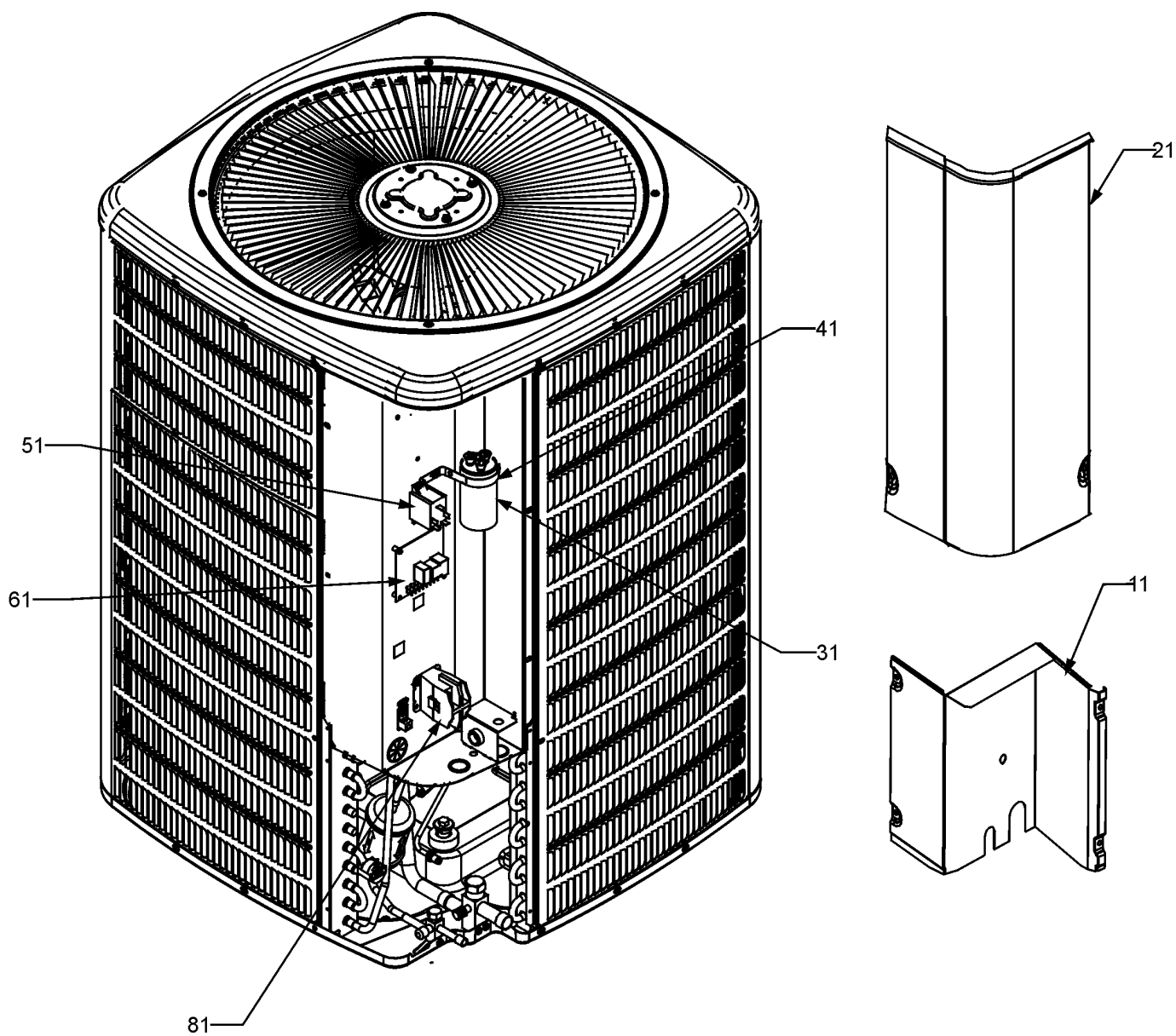
**Part No:**            **Description:**

Part No:	Description:	Expanded Model Nomenclature
0151R00079	BASE VALVE 3/4"	M1 - SSZ160241AA
0151R00078	BASE VALVE 3/8"	M2 - SSZ160241AB
0151R00080	BASE VALVE 7/8"	M3 - SSZ160241AC
CAP050350440CS	CAPACITOR 5/35/440V	M4 - SSZ160241AD
CAP050400440CT	CAPACITOR 5/40/440V/DUAL RD	M5 - SSZ160241AE
CAP050450440CT	CAPACITOR 5/45/440V/DUAL RD	M6 - SSZ160241AF
CAP050800440RT	CAPACITOR 5/80/440V	M7 - SSZ160241AG
ZP20K5EPFV130	COMPRESSOR 20000, 208/230/60/1	M8 - SSZ160241AH
ZP29K5EPFV130	COMPRESSOR 29000, 208/230/60/1	M9 - SSZ160241AJ
ZP38K5EPFV130	COMPRESSOR 37500, 208/230/60/1	M10 - SSZ160241AK
ZPS49K5EPFV130	COMPRESSOR 49100, 208/230/60/1	M11 - SSZ160361AA
ZPS49K4EPFV230	COMPRESSOR 49200, 208/230/60/1/2STG	M12 - SSZ160361AB
ZPS51K4EPFV230	COMPRESSOR 52000, 208/230/60/1/2STG	M13 - SSZ160361AC
0131M00060	COND MOTOR 1/6 HP, 1 SP, 8 PL	M14 - SSZ160361AD
0131M00016P	COND MOTOR 1/6 HP, 1 SP, 8 PL	M15 - SSZ160361AE
0131M00012P	COND MOTOR 1/6 HP, 1 SP, 8 PL	M16 - SSZ160361AF
0131M00038	COND MOTOR 1/6 HP, 2 SP, 8 PL	M17 - SSZ160481AA
0131M00753	COND MOTOR, 1/6HP, 1SP, 8PL, AL	M18 - SSZ160481AB
CONT1P025024V	CONTACTOR 25 AMP, 1P, 24V	M19 - SSZ160481AC
CONT1P030024V	CONTACTOR 30 AMP, 1P, 24V	M20 - SSZ160481AD
CONT2P040024V	CONTACTOR 40 AMP, 2P, 24V	M21 - SSZ160481AE
0130M00105	CONTROL, DEFROST	M22 - SSZ160481AF
PCBDM101	DEFROST CONTROL BOARD	M23 - SSZ160601AA
PCBDM133	DEFROST CONTROL BOARD	M24 - SSZ160601AB
0130M00106	DISC THERMOSTAT CRNKCS HTR SW	M25 - SSZ160601AC
0150M00008	FAN BLADE 22" TNT2203-25	M26 - SSZ160601AD
10625738	FAN BLADE 26" ALUM CCW	M27 - SSZ160601AE
B1086764	FAN BLADE TYPE 2	M28 - SSZ160601BA
0163R00006	HEATER, CRANKCASE 230V, 40W	M29 - SSZ160601BB
0163R00007	HEATER, CRANKCASE 230V, 40W	M30 - SSZ160601BC
0130R00056	HIGH PRESSURE SWITCH	
0130R00001	LOW PRESSURE SWITCH	
10135604	RELAY	
0151R00071	REVERSING VALVE	
0151M00018	REVERSING VALVE	
0151M00019	REVERSING VALVE	
0151R00068	REVERSING VALVE	
0151M00021	REVERSING VALVE	
B1225022	SOLENOID COIL	
0130M00089	SW-CUTOUT HI PRESS	
0130M00088	SW-CUTOUT LOW PRESS	
11046711	THERMOSTAT DISC	
0151R00009	TXV VALVE	
0151M00010	TXV VALVE	
0151M00004	TXV VALVE	
0151M00002	TXV VALVE	

**SPECIAL PARTS**

0161R00009P    NAMEPLATE

# Control Cover / Control Box



# Control Cover / Control Box

Ref. Part No:	Ref. Part No:	Description:	Description:
---------------	---------------	--------------	--------------

**Image 1:**

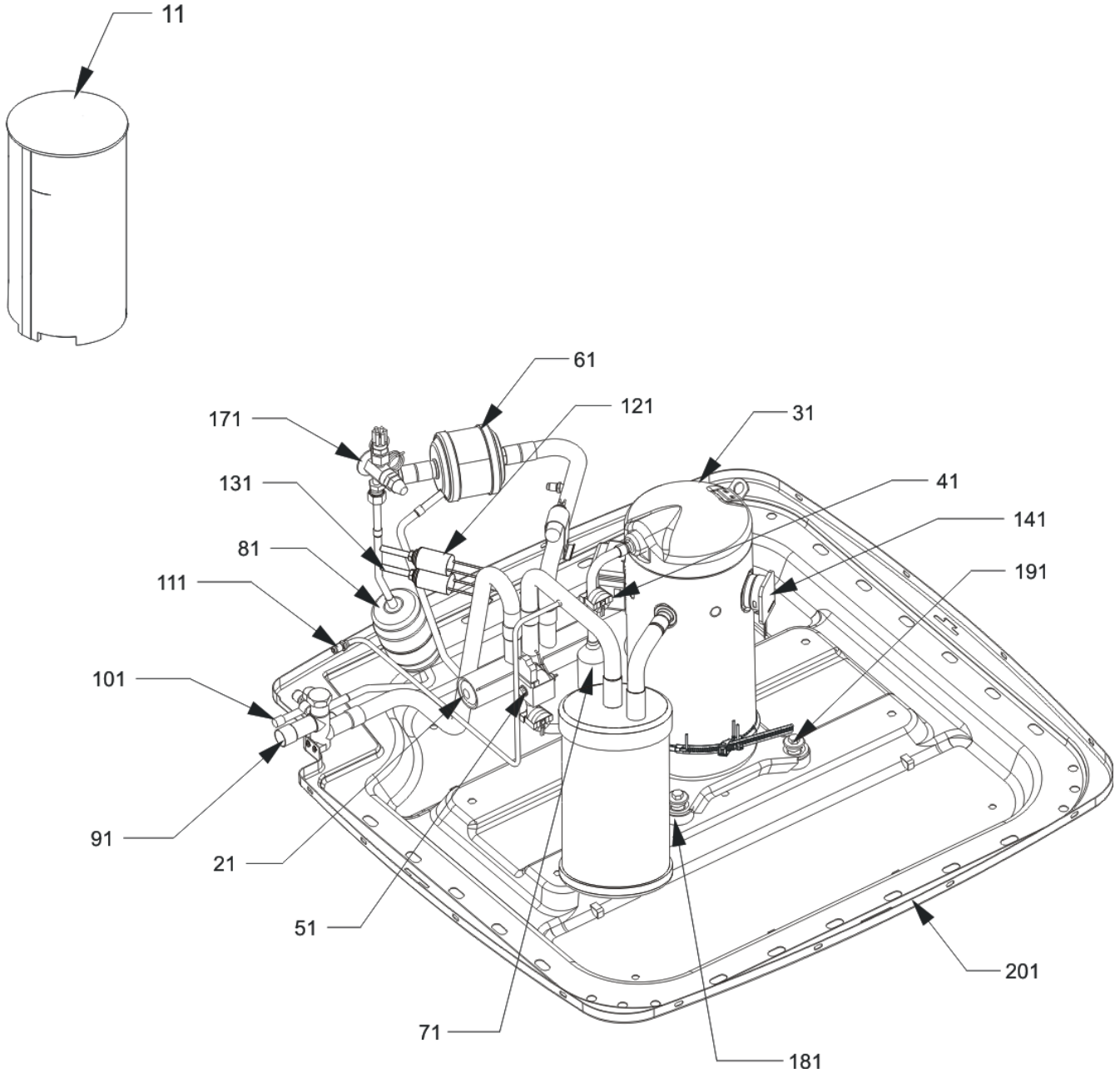
11	0121R00317PDG	PANEL, LOWER ACCESS PNT
11	0121R00318PDG	PANEL, LOWER ACCESS PNT
21	0121R00053PDG	CONTROL COVER
21	0121R00054PDG	CONTROL COVER
21	4400064PDG	CONTROL COVER
21	4400080PDG	CONTROL COVER, 2 COMP
31	CAP050350440CS	CAPACITOR 5/35/440V
31	CAP050400440CT	CAPACITOR 5/40/440V/DUAL RD
31	CAP050450440CT	CAPACITOR 5/45/440V/DUAL RD
31	CAP050800440RT	CAPACITOR 5/80/440V
41	4400065	CAPACITOR STRAP
51	10135604	RELAY
61	PCBDM101	DEFROST CONTROL BOARD
61	PCBDM133	DEFROST CONTROL BOARD
81	CONT1P025024V	CONTACTOR 25 AMP, 1P, 24V
81	CONT1P030024V	CONTACTOR 30 AMP, 1P, 24V
81	CONT2P040024V	CONTACTOR 40 AMP, 2P, 24V
NS	0161R00009P	NAMEPLATE

**Expanded Model Nomenclature**

- M1 - SSZ160241AA
- M2 - SSZ160241AB
- M3 - SSZ160241AC
- M4 - SSZ160241AD
- M5 - SSZ160241AE
- M6 - SSZ160241AF
- M7 - SSZ160241AG
- M8 - SSZ160241AH
- M9 - SSZ160241AJ
- M10 - SSZ160241AK
- M11 - SSZ160361AA
- M12 - SSZ160361AB
- M13 - SSZ160361AC
- M14 - SSZ160361AD
- M15 - SSZ160361AE
- M16 - SSZ160361AF
- M17 - SSZ160481AA
- M18 - SSZ160481AB
- M19 - SSZ160481AC
- M20 - SSZ160481AD
- M21 - SSZ160481AE
- M22 - SSZ160481AF
- M23 - SSZ160601AA
- M24 - SSZ160601AB
- M25 - SSZ160601AC
- M26 - SSZ160601AD
- M27 - SSZ160601AE
- M28 - SSZ160601BA
- M29 - SSZ160601BB
- M30 - SSZ160601BC

# Compressor / Tubing Assembly/Condenser

IMAGE 1



# Compressor / Tubing Assembly/Condenser

Ref. Part No: No:	Description:	Ref. Part No: No:	Description:
<i>Image 1:</i>		<b>Expanded Model Nomenclature</b>	
11	0160M00004	COMPRESSOR SOUND BLANKET	M1 - SSZ160241AA
11	0160M00005	COMPRESSOR SOUND BLANKET	M2 - SSZ160241AB
11	B1488806	COMPRESSOR SOUND BLANKET	M3 - SSZ160241AC
11	B1488807	COMPRESSOR SOUND BLANKET	M4 - SSZ160241AD
11	B1488810	COMPRESSOR SOUND BLANKET	M5 - SSZ160241AE
21	0151M00018	REVERSING VALVE	M6 - SSZ160241AF
21	0151M00019	REVERSING VALVE	M7 - SSZ160241AG
21	0151M00021	REVERSING VALVE	M8 - SSZ160241AH
21	0151R00068	REVERSING VALVE	M9 - SSZ160241AJ
21	0151R00071	REVERSING VALVE	M10 - SSZ160241AK
31	ZP20K5EPFV130	COMPRESSOR 20000, 208/230/60/1	M11 - SSZ160361AA
31	ZP29K5EPFV130	COMPRESSOR 29000, 208/230/60/1	M12 - SSZ160361AB
31	ZP38K5EPFV130	COMPRESSOR 37500, 208/230/60/1	M13 - SSZ160361AC
31	ZPS49K5EPFV130	COMPRESSOR 49100, 208/230/60/1	M14 - SSZ160361AD
31	ZPS49K4EPFV230	COMPRESSOR 49200, 208/230/60/1/2STG	M15 - SSZ160361AE
31	ZPS51K4EPFV230	COMPRESSOR 52000, 208/230/60/1/2STG	M16 - SSZ160361AF
41	11046711	THERMOSTAT DISC	M17 - SSZ160481AA
51	B1225022	SOLENOID COIL	M18 - SSZ160481AB
61	20270812	COMPENSATOR	M19 - SSZ160481AC
61	0151R00005	COMPENSATOR 16 OZ	M20 - SSZ160481AD
61	0151R00006	COMPENSATOR 3.5	M21 - SSZ160481AE
71	0162R00007	MUFFLER 1/2 X 1/2	M22 - SSZ160481AF
71	B1219301	MUFFLER 1/2 X 1/2	M23 - SSZ160601AA
81	20485201	BI-FLOW FILTER DRIER	M24 - SSZ160601AB
91	0151R00079	BASE VALVE 3/4"	M25 - SSZ160601AC
91	0151R00080	BASE VALVE 7/8"	M26 - SSZ160601AD
101	0151R00078	BASE VALVE 3/8"	M27 - SSZ160601AE
111	B1787000	VALVE CORE	M28 - SSZ160601BA
121	0130R00001	LOW PRESSURE SWITCH	M29 - SSZ160601BB
131	0130R00056	HIGH PRESSURE SWITCH	M30 - SSZ160601BC
141	20468101	COMPRESSOR SOLENOID CABLE	
171	0151M00002	TXV VALVE	
171	0151M00004	TXV VALVE	
171	0151M00010	TXV VALVE	
171	0151R00009	TXV VALVE	
181	B1339533	COMPRESSOR GROMMET	
191	M0221641	TF SHOULDER SCREW	
201	0121R00006PDG	BASE PAN 29"	
201	4400011PDG	BASE PAN 29"	
201	0121R00007PDG	BASE PAN 35"	
201	4400012PDG	BASE PAN 35"	

# Tubing Assembly/Condenser

IMAGE 1

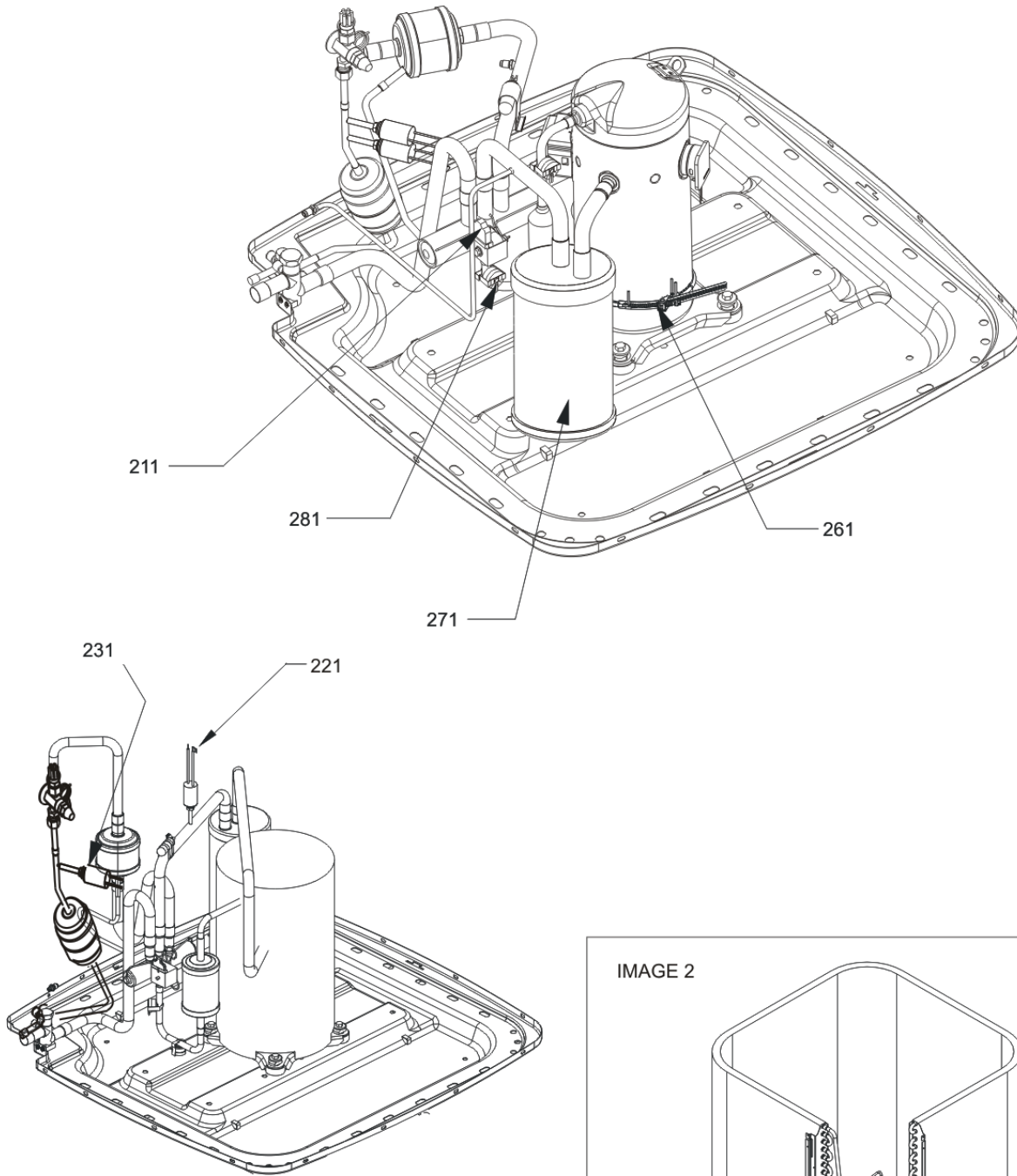
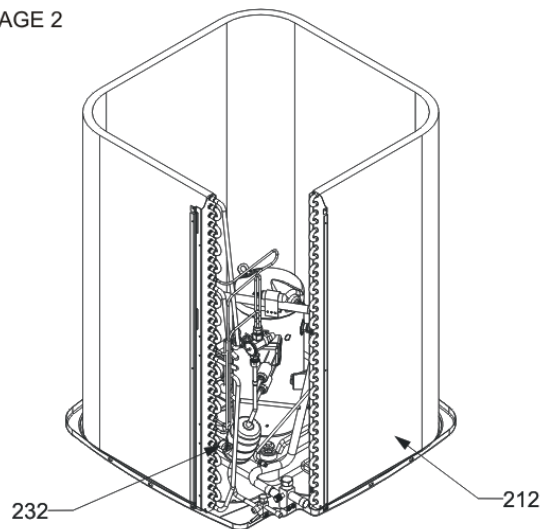


IMAGE 2





# Tubing Assembly/Condenser

Ref. Part No: No:	Description:	Ref. Part No: No:	Description:
<b>Image 1:</b>		<b>Expanded Model Nomenclature</b>	
211	0130M00083	REVERSING VALVE HARNESS	M1 - SSZ160241AA
211	B1225020	SOLENOID COIL CORD W/1/4"TERMINAL	M2 - SSZ160241AB
221	0130M00088	SW-CUTOUT LOW PRESS	M3 - SSZ160241AC
231	0130M00089	SW-CUTOUT HI PRESS	M4 - SSZ160241AD
261	0163R00006	HEATER, CRANKCASE 230V, 40W	M5 - SSZ160241AE
261	0163R00007	HEATER, CRANKCASE 230V, 40W	M6 - SSZ160241AF
271	0151L00008	ACCUMULATOR	M7 - SSZ160241AG
271	0151L00009	ACCUMULATOR	M8 - SSZ160241AH
271	0151L00010	ACCUMULATOR	M9 - SSZ160241AJ
281	0130M00106	DISC THERMOSTAT CRNKCS HTR SW	M10 - SSZ160241AK
NS	0159R00001P	COMPRESSOR SCROLL HARNESS	M11 - SSZ160361AA
NS	0159R00002P	COMPRESSOR SCROLL HARNESS	M12 - SSZ160361AB
NS	0159R00009	COMPRESSOR SCROLL HARNESS	M13 - SSZ160361AC
<b>Image 2:</b>		M14 - SSZ160361AD	M15 - SSZ160361AE
212	0201R00074	TUBING ASSY, COND COIL	M16 - SSZ160361AF
212	0201R00075	TUBING ASSY, COND COIL	M17 - SSZ160481AA
212	0201R00076	TUBING ASSY, COND COIL	M18 - SSZ160481AB
212	0201R00147	TUBING ASSY, COND COIL	M19 - SSZ160481AC
212	0201R00342	TUBING ASSY, COND COIL	M20 - SSZ160481AD
212	0201R00343	TUBING ASSY, COND COIL	M21 - SSZ160481AE
212	0201R00344	TUBING ASSY, COND COIL	M22 - SSZ160481AF
212	0201R00345	TUBING ASSY, COND COIL	M23 - SSZ160601AA
232	0130M00105	CONTROL, DEFROST	M24 - SSZ160601AB
NS	0163M00087	ACCESS FITTING	M25 - SSZ160601AC
NS	B1373305	ACCESS FITTING	M26 - SSZ160601AD
NS	B1373310	ACCESS FITTING	M27 - SSZ160601AE
NS	0163M00175	CAP WITH O-RING	M28 - SSZ160601BA
NS	B1796633	TEFLON O-RING	M29 - SSZ160601BB
			M30 - SSZ160601BC

# Cabinet Top / Side Panels

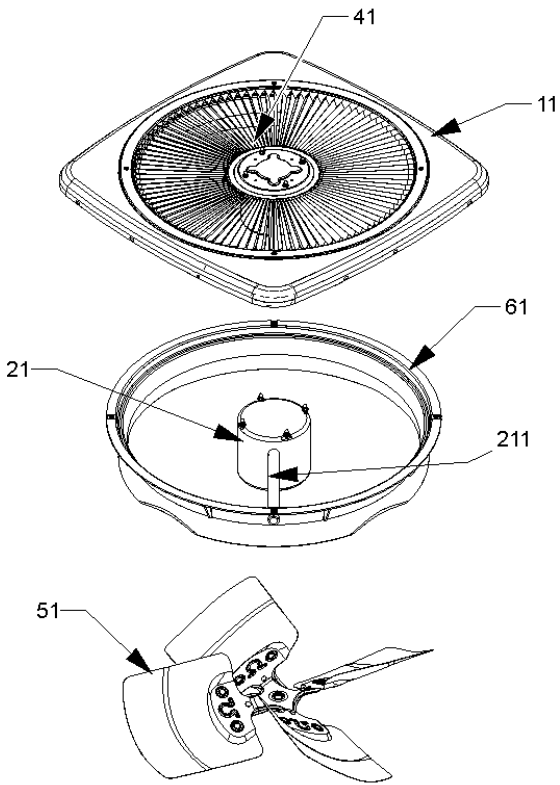


Image 1

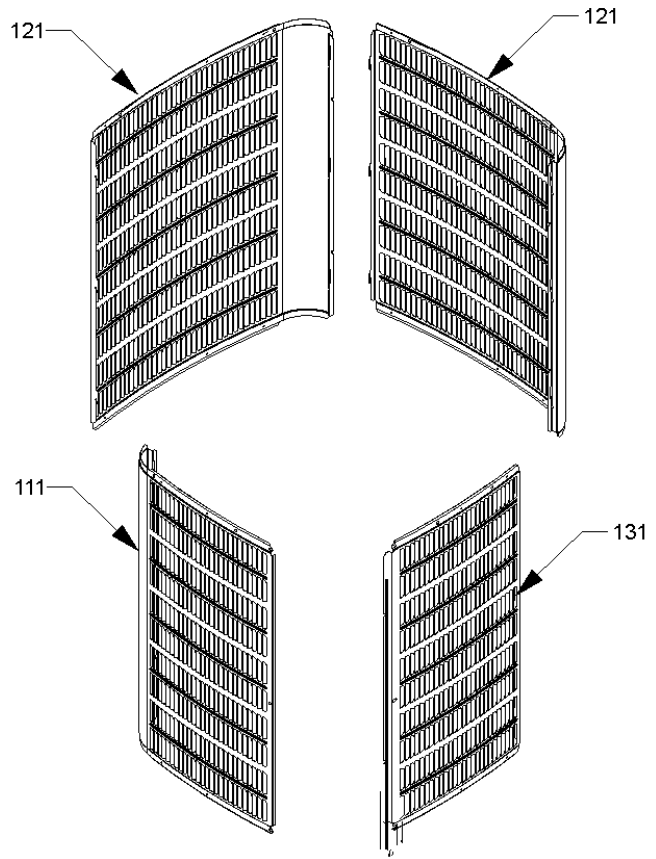
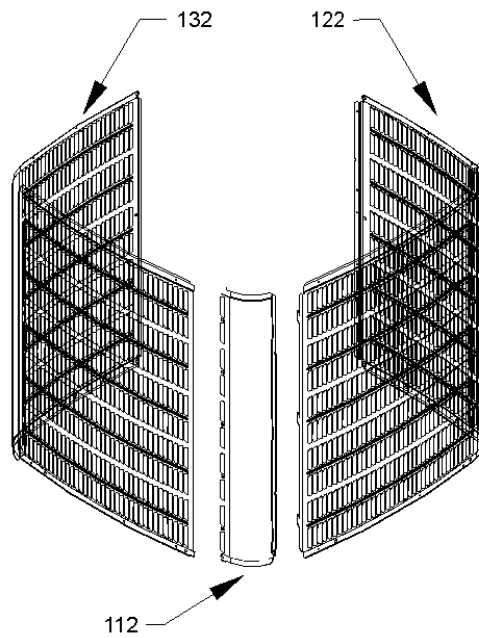


Image 2



# Cabinet Top / Side Panels

**Ref. Part  
No: No:**

**Description:**

**Ref. Part  
No: No:**

**Description:**

**Image 1:**

11	4400067PDG	PANEL, LOUVER TOP PNT
11	4400092PDG	PANEL, LOUVER TOP, 35", PNT
11	0121R00010PDG	TOP PANEL 29"
11	0121R00269PDG	Top Panel, 35" Pnt
21	0131M00012P	COND MOTOR 1/6 HP, 1 SP, 8 PL
21	0131M00016P	COND MOTOR 1/6 HP, 1 SP, 8 PL
21	0131M00060	COND MOTOR 1/6 HP, 1 SP, 8 PL
21	0131M00038	COND MOTOR 1/6 HP, 2 SP, 8 PL
21	0131M00753	COND MOTOR, 1/6HP, 1SP, 8PL, AL
41	0163M00006P	ACORN NUT 5/16 HEX BLACK
41	B1783803	ACORN NUT 5/16 HEX YELLOW ZINC
51	0150M00008	FAN BLADE 22" TNT2203-25
51	10625738	FAN BLADE 26" ALUM CCW
51	B1086764	FAN BLADE TYPE 2
61	0161L00000	VENTURI RING 22"
61	0161R00007P	VENTURI RING 35"
111	0121R00027PDGB	LOUVERED SIDE PANEL [LT OF CNTL PNL]
111	0121R00043PDGB	LOUVERED SIDE PANEL [LT OF CNTL PNL]
111	4400131PDG	PANEL, LOUVER SIDE PNT
111	4400138PDG	PANEL, LOUVER SIDE, PNT
121	0121R00033PDGB	LOUVERED SIDE PANEL
121	0121R00047PDGB	LOUVERED SIDE PANEL
121	4400140PDG	PANEL, LOUVER SIDE, PNT
121	4400133PDG	PANEL. LOUVER SIDE PNT
131	0121R00039PDG	LOUVERED SIDE PANEL [RT OF CNTL PNL]
131	0121R00051PDG	LOUVERED SIDE PANEL [RT OF CNTL PNL]
131	4400135PDG	PANEL, LOUVER SIDE PNT
131	4400142PDG	PANEL, LOUVER SIDE, PNT
211	0161R00002P	CONDUIT
211	0161R00004P	CONDUIT

**Image 2:**

22	0121R00353PDG	LOUVER POST 34.49
122	0121R00345PDGLS	LOUVER PANEL 29" _34.49
132	0121R00345PDGRS	LOUVER PANEL 29" _34.49 [RIGHT]

**Expanded Model Nomenclature**

M1 - SSZ160241AA
M2 - SSZ160241AB
M3 - SSZ160241AC
M4 - SSZ160241AD
M5 - SSZ160241AE
M6 - SSZ160241AF
M7 - SSZ160241AG
M8 - SSZ160241AH
M9 - SSZ160241AJ
M10 - SSZ160241AK
M11 - SSZ160361AA
M12 - SSZ160361AB
M13 - SSZ160361AC
M14 - SSZ160361AD
M15 - SSZ160361AE
M16 - SSZ160361AF
M17 - SSZ160481AA
M18 - SSZ160481AB
M19 - SSZ160481AC
M20 - SSZ160481AD
M21 - SSZ160481AE
M22 - SSZ160481AF
M23 - SSZ160601AA
M24 - SSZ160601AB
M25 - SSZ160601AC
M26 - SSZ160601AD
M27 - SSZ160601AE
M28 - SSZ160601BA
M29 - SSZ160601BB
M30 - SSZ160601BC