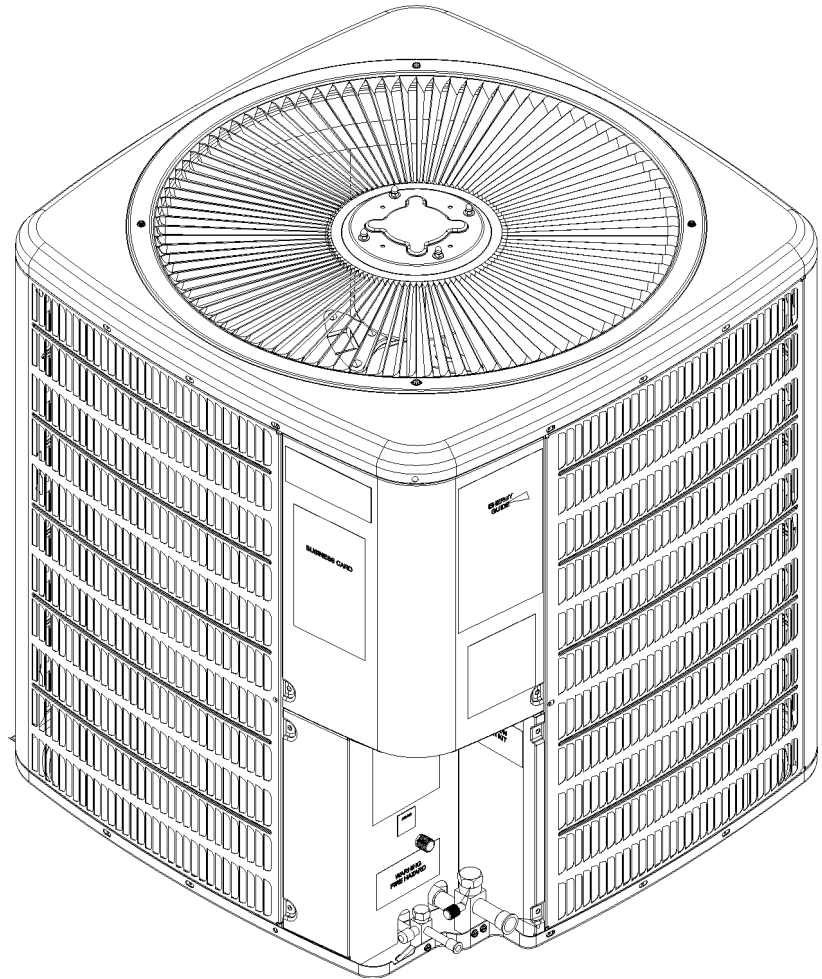


**GSZ13 Remote Heat Pump**

GSZ130181AF  
GSZ130181AG  
GSZ130191AA  
GSZ130191AB  
GSZ130191AC  
GSZ130241BD  
GSZ130241CB  
GSZ130251AA  
GSZ130251AB  
GSZ130251BA  
GSZ130251BB  
GSZ130301AG  
GSZ130301AH  
GSZ130311AA  
GSZ130311AB  
GSZ130311AC  
GSZ130361BD  
GSZ130363AD  
GSZ130371AA  
GSZ130371AB  
GSZ130421AF  
GSZ130481AF  
GSZ130481AG  
GSZ130483AD  
GSZ130483AE  
GSZ130484AC  
GSZ130484AD



This manual is to be used by qualified technicians only.

This manual replaces RP-707C.

© 2012-2014 Goodman Manufacturing Company, L.P. ♦ 5151 San Felipe St., Suite 500 ♦ Houston, TX 77056

# Important Information

---

## Index

|                              |        |
|------------------------------|--------|
| Functional Parts List .....  | 3      |
| Illustration and Parts ..... | 4 - 10 |

*Views shown are for parts illustrations only, not servicing procedures*

Rev D: reversing valve updates

### Text Codes:

AR - As Required

NA - Not Available

NS - Not Shown

00000000 - See Note

QTY - Quantity Example (QTY 3) (If Quantity not shown, Quantity = 1)

M - Model Example (M1) (If M Code not shown, then part is used on all Models)

### Expanded Model Nomenclature:

|   |
|---|
| Example<br>M1 - Model#1<br>M2 - Model#2<br>M3 - Model#3 |
|---|

Goodman Manufacturing Company, L.P. is not responsible for personal injury or property damage resulting from improper service. Review all service information before beginning repairs.

Warranty service must be performed by an authorized technician, using authorized factory parts. If service is required after the warranty expires, Goodman Manufacturing Company, L.P. also recommends contacting an authorized technician and using authorized factory parts.

Goodman Manufacturing Company, L.P. reserves the right to discontinue, or change at any time, specifications or designs without notice or without incurring obligations.

For assistance within the U.S.A. contact:  
Consumer Affairs Department  
Goodman Manufacturing Company, L.P.  
7401 Security Way  
Houston, Texas 77040  
877-254-4729-Telephone  
713-863-2382-Facsimile

For assistance outside the U.S.A. contact:  
International Division  
Goodman Manufacturing Company, L.P.  
7401 Security Way  
Houston, Texas 77040  
713-861-2500-Telephone  
713-863-2382-Facsimile

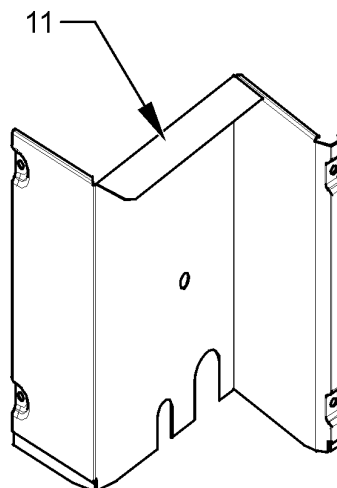
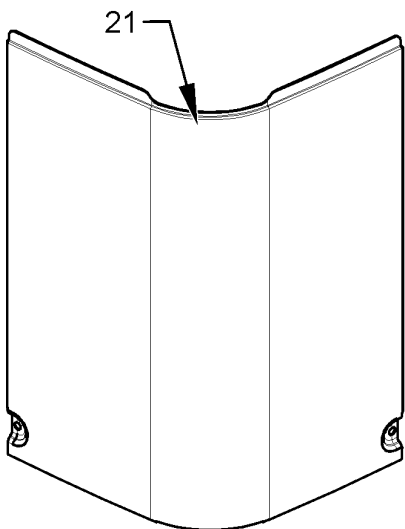
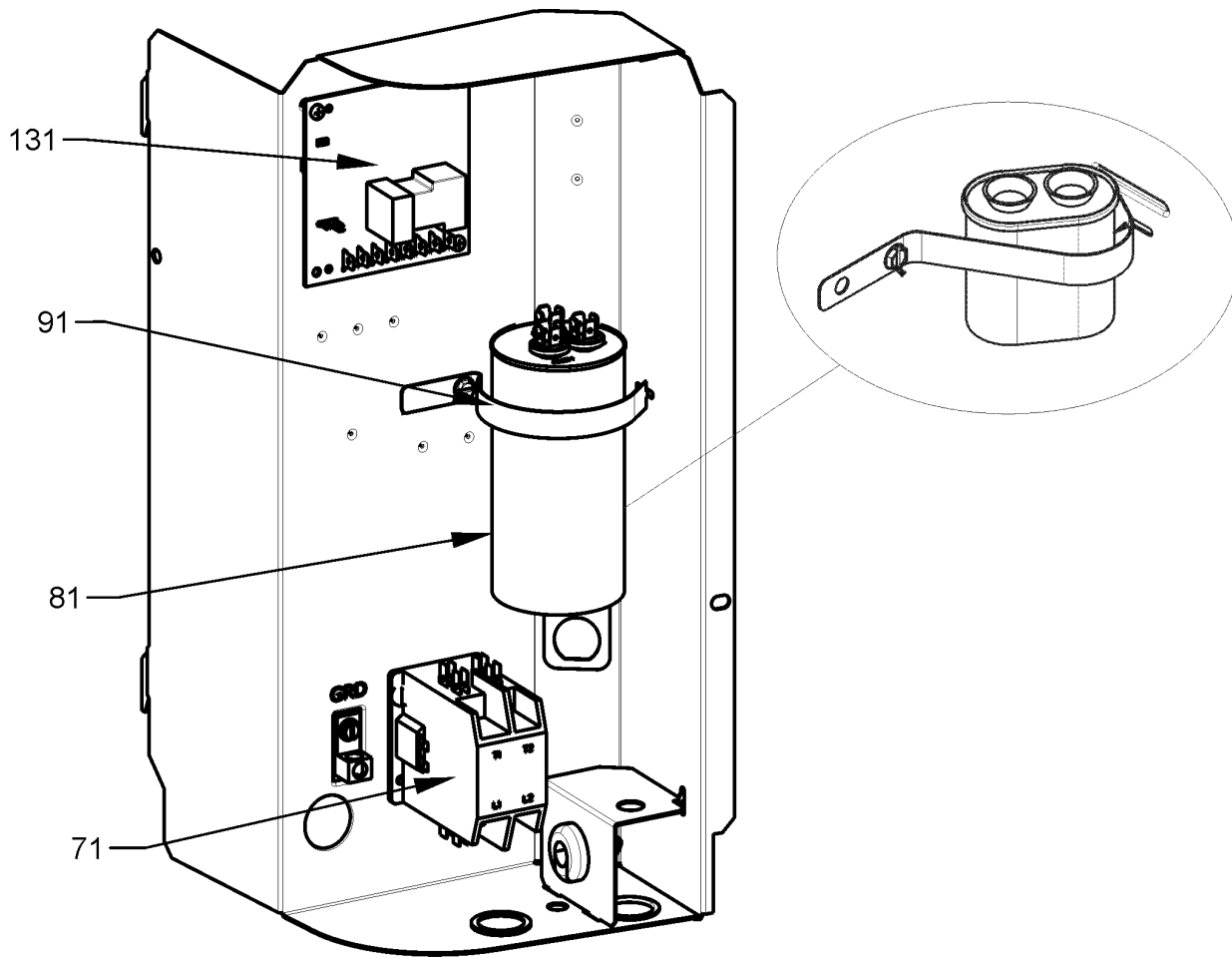
# Functional Parts

## Part

## No: Description:

|                 |  |                                    |  |
|-----------------|--|------------------------------------|--|
| B12825171       | 3/8 BASE VALVE (OPEN) (M1, M2, M3, M4, M5, M6, M7, M8, M9, M10, M11, M12, M13, M14, M15, M16, M17, M18, M21, M22, M23, M24, M25, M26, M27) | 0163R00002                         | HEATER, CRANKCASE 230V, 40W (M18)  |
| B1226206        | ACCUMULATOR (M1, M2, M3, M4, M5, M6, M7, M8, M9, M10, M11, M12, M13, M14, M15, M16, M18)   | 0130R00056                         | HIGH PRESSURE SWITCH (M18, M24, M25, M26, M27)   |
| 0151R00004P     | ACCUMULATOR .750 (M17, M19, M20)   | 0130M00089                         | HIGH PRESSURE SWITCH (M1, M2, M3, M4, M5, M6, M7, M8, M9, M10, M11, M12, M13, M14, M15, M16, M17, M19, M20, M21, M22, M23) |
| B1226207        | ACCUMULATOR .875 (M21, M22, M23, M24, M25, M26, M27)   | 0130R00000                         | LOW PRESSURE SWITCH (M18, M24, M25, M26, M27)  |
| 0150M00012      | BLADE-FAN 20" CCW (M7, M10, M11, M12, M13)   | 0130M00088                         | LOW PRESSURE SWITCH (M1, M2, M3, M4, M5, M6, M7, M8, M9, M10, M11, M12, M13, M14, M15, M16, M17, M19, M20, M21, M22, M23)  |
| CAP050000370VAP | CAP, 5 MFD/370V/OVAL (M18, M24, M25, M26, M27)   | PCBDM133                           | PCB, DEFROST CONTROL (M1, M2, M3, M4, M5, M6, M7, M8, M9, M10, M11, M12, M13, M14, M15, M16, M17, M19, M20, M21, M22, M23) |
| CAP050350440CS  | CAP, 5/35 MFD/440V/DUAL RD (M7, M10, M11)  | PCBDM101                           | PCB, DEFROST CONTROL (M18, M24, M25, M26, M27)   |
| CAP050400440RTP | CAP, 5/40 MFD/440V/DUAL RD (M6, M8, M9, M12, M13, M14, M15, M16)   | B1227314                           | REVERSING VALVE (M7, M8, M10, M11)   |
| CAP050450440RTP | CAP, 5/45 MFD/440V/DUAL RD (M17, M19, M20, M21, M22, M23)  | 0151M00018                         | REVERSING VALVE (M1, M3, M4, M12, M14, M15)  |
| CAP050300440RS  | CAPACITOR 5/30/370V (M1, M2, M3, M4, M5)   | 0151M00019                         | REVERSING VALVE (M17, M18, M19, M20)   |
| ZP39K5ETFD130   | COMP, 39000, 460/60/3 (M26, M27)   | 0151M00020                         | REVERSING VALVE (M21, M22, M24, M26)   |
| ZP20K5EPFV130   | COMP, 20000, 208/230/60/1 (M7, M10, M11)   | 0151R00068                         | REVERSING VALVE (M2, M5, M13, M16)   |
| ZP21K5EPFV130   | COMP, 21300, 208/230/60/1 (M6, M8, M9)   | 0151R00070                         | REVERSING VALVE (M23, M25, M27)  |
| ZP34K5EPFV130   | COMP, 34500, 208/230/60/1 (M21)  | 0151R00067                         | REVERSING VALVE (M6, M9)   |
| ZP16K5EPFV130   | COMPRESSOR 15500, 208/230/60/1 (M1, M2, M3, M4, M5)  | 0151R00032                         | VALVE, BASE 3/4" OPEN LEFT (M1, M2, M3, M4, M5, M6, M7, M8, M9, M10, M11, M12, M13, M14, M15, M16, M17, M18, M19, M20)     |
| ZP25K5EPFV130   | COMPRESSOR 25200, 208/230/60/1 (M12, M13, M14, M15, M16)   | 0151R00033                         | VALVE, BASE 7/8" OPEN LEFT (M21, M22, M23, M24, M25, M26, M27)   |
| ZP31K5EPFV130   | COMPRESSOR 31100, 208/230/60/1 (M17, M19, M20)   |                                    |  |
| ZP31K5ETF5130   | COMPRESSOR 31200, 200/230/60/3 (M18)   |                                    |  |
| ZP39K5ETF5130   | COMPRESSOR 39000, 200/230/60/3 (M24, M25)  |                                    |  |
| ZP39K5EPFV130   | COMPRESSOR 39000, 208/230/60/1 (M22, M23)  |                                    |  |
| 0131M00018P     | COND MOTOR 1/4 HP, 1 SP, 6 PL (M17, M18, M19, M20, M21, M22, M23, M24, M25)  |                                    |  |
| 0131M00022      | COND MOTOR 1/4 HP, 8 PL, 460V (M26, M27)   |                                    |  |
| 0131M00294      | COND MOTOR, 1/8HP, ISP, 6PL (M3, M4, M5, M6, M8, M9, M14, M15, M16)  |                                    |  |
| 0131M00266      | COND MOTOR 1/8 HP 8 PL PSC (M1, M2, M7, M10, M11, M12, M13)  |                                    |  |
| CONT1P025024V   | CONTACTOR 25 AMP, 1P, 24V (M1, M2, M3, M4, M5, M6, M7, M8, M9, M10, M11, M12, M13, M14, M15, M16, M17, M19, M20, M21)                      |                                    |  |
| CONT3P025024V   | CONTACTOR 25 AMP, 3P, 24V (M18, M24, M25, M26, M27)  |                                    |  |
| CONT1P030024V   | CONTACTOR 30 AMP, 1P, 24V (M22, M23)   |                                    |  |
| 0130M00098      | CONTROL, DEFROST (M6, M7, M8, M9, M10, M11, M17, M19, M20)   |                                    |  |
| 0130M00105      | CONTROL, DEFROST (M1, M2, M3, M4, M5, M12, M13, M14, M15, M16, M18, M21, M22, M23, M24, M25, M26, M27)                                     |                                    |  |
| 0130M00106      | DISC THERMOSTAT CRNKCS HTR SW (M1, M2, M3, M4, M5, M6, M7, M8, M9, M10, M11, M12, M13, M14, M15, M16, M17, M19, M20, M21, M22, M23)        |                                    |  |
| 0150M00018      | FAN BLADE 20" (M1, M2)   |                                    |  |
| B1086750        | FAN BLADE 22", 3 BLADE, 24° (M22, M23, M24, M25)   |                                    |  |
| B1086765S       | FAN BLADE TYPE 3 (M26, M27)  |                                    |  |
| 0150M00031      | FAN BLADE, 20", 3 BLADE, 21DEG (M3, M4, M5)  |                                    |  |
| 0150M00033      | FAN BLADE, 20", 3 BLADE, 24DEG (M6, M8, M9, M14, M15, M16)   |                                    |  |
| 0150M00022      | FAN BLADE, 22" (M17, M18, M19, M20, M21)   |                                    |  |
| 0163R00004      | HEATER CRANKCASE, 460V, 40W (M26, M27)   |                                    |  |
| 0163R00003      | HEATER, CRANKCASE 230V 40W (M24, M25)  |                                    |  |
| 0163R00007      | HEATER, CRANKCASE 230V, 40W (M21, M22, M23)  |                                    |  |
| 0163R00006      | HEATER, CRANKCASE 230V, 40W (M1, M2, M3, M4, M5, M6, M7, M8, M9, M10, M11, M12, M13, M14, M15, M16, M17, M19, M20)                         |                                    |  |
|                 |  | <b>SPECIAL PARTS</b>               |  |
|                 |  | 0161R00009P                        | NAMEPLATE  |
|                 |  | <b>Expanded Model Nomenclature</b> |  |
|                 |  | M1 - GSZ130181AF                   |  |
|                 |  | M2 - GSZ130181AG                   |  |
|                 |  | M3 - GSZ130191AA                   |  |
|                 |  | M4 - GSZ130191AB                   |  |
|                 |  | M5 - GSZ130191AC                   |  |
|                 |  | M6 - GSZ130241BD                   |  |
|                 |  | M7 - GSZ130241CB                   |  |
|                 |  | M8 - GSZ130251AA                   |  |
|                 |  | M9 - GSZ130251AB                   |  |
|                 |  | M10 - GSZ130251BA                  |  |
|                 |  | M11 - GSZ130251BB                  |  |
|                 |  | M12 - GSZ130301AG                  |  |
|                 |  | M13 - GSZ130301AH                  |  |
|                 |  | M14 - GSZ130311AA                  |  |
|                 |  | M15 - GSZ130311AB                  |  |
|                 |  | M16 - GSZ130311AC                  |  |
|                 |  | M17 - GSZ130361BD                  |  |
|                 |  | M18 - GSZ130363AD                  |  |
|                 |  | M19 - GSZ130371AA                  |  |
|                 |  | M20 - GSZ130371AB                  |  |
|                 |  | M21 - GSZ130421AF                  |  |
|                 |  | M22 - GSZ130481AF                  |  |
|                 |  | M23 - GSZ130481AG                  |  |
|                 |  | M24 - GSZ130483AD                  |  |
|                 |  | M25 - GSZ130483AE                  |  |
|                 |  | M26 - GSZ130484AC                  |  |
|                 |  | M27 - GSZ130484AD                  |  |

# Control Cover / Control Box



# Control Cover / Control Box

| Ref. Part No:   | Description:  | Ref. Part No:                      | Description: |
|-----------------|---|------------------------------------|--------------|
| <i>Image 1:</i> |   | <b>Expanded Model Nomenclature</b> |              |
| 11              | 0121R00318PDG PANEL, LOWER ACCESS PNT (M18, M21)  | M1                                 | GSZ130181AF  |
| 11              | 0121R00321PDG PANEL, LOWER ACCESS PNT (M22, M23, M24, M25, M26, M27)  | M2                                 | GSZ130181AG  |
| 11              | 0121R00322PDG PANEL, LOWER ACCESS PNT (M6, M7, M8, M9, M10, M11, M17, M19, M20)   | M3                                 | GSZ130191AA  |
| 11              | 0121R00323PDG PANEL, LOWER ACCESS PNT (M1, M2, M3, M4, M5, M12, M13, M14, M15, M16)   | M4                                 | GSZ130191AB  |
| 21              | 0121R00053PDG CONTROL COVER   | M5                                 | GSZ130191AC  |
| 71              | CONT1P025024V CONTACTOR 25 AMP, 1P, 24V (M1, M2, M3, M4, M5, M6, M7, M8, M9, M10, M11, M12, M13, M14, M15, M16, M17, M19, M20, M21) | M6                                 | GSZ130241BD  |
| 71              | CONT3P025024V CONTACTOR 25 AMP, 3P, 24V (M18, M24, M25, M26, M27)   | M7                                 | GSZ130241CB  |
| 71              | CONT1P030024V CONTACTOR 30 AMP, 1P, 24V (M22, M23)  | M8                                 | GSZ130251AA  |
| 81              | CAP050000370VAP CAP, 5 MFD/370V/OVAL (M18, M24, M25, M26, M27)  | M9                                 | GSZ130251AB  |
| 81              | CAP050350440CS CAP, 5/35 MFD/440V/DUAL RD (M7, M10, M11)  | M10                                | GSZ130251BA  |
| 81              | CAP050400440RTP CAP, 5/40 MFD/440V/DUAL RD (M6, M8, M9, M12, M13, M14, M15, M16)  | M11                                | GSZ130251BB  |
| 81              | CAP050450440RTP CAP, 5/45 MFD/440V/DUAL RD (M17, M19, M20, M21, M22, M23)   | M12                                | GSZ130301AG  |
| 81              | CAP050300440RS CAPACITOR 5/30/370V (M1, M2, M3, M4, M5)   | M13                                | GSZ130301AH  |
| 91              | 4400065 CAPACITOR STRAP   | M14                                | GSZ130311AA  |
| 131             | PCBDM101 PCB, DEFROST CONTROL (M18, M24, M25, M26, M27)   | M15                                | GSZ130311AB  |
| 131             | PCBDM133 PCB, DEFROST CONTROL (M1, M2, M3, M4, M5, M6, M7, M8, M9, M10, M11, M12, M13, M14, M15, M16, M17, M19, M20, M21, M22, M23) | M16                                | GSZ130311AC  |
| NS              | 0161R00009P NAMEPLATE   | M17                                | GSZ130361BD  |
|                 |   | M18                                | GSZ130363AD  |
|                 |   | M19                                | GSZ130371AA  |
|                 |   | M20                                | GSZ130371AB  |
|                 |   | M21                                | GSZ130421AF  |
|                 |   | M22                                | GSZ130481AF  |
|                 |   | M23                                | GSZ130481AG  |
|                 |   | M24                                | GSZ130483AD  |
|                 |   | M25                                | GSZ130483AE  |
|                 |   | M26                                | GSZ130484AC  |
|                 |   | M27                                | GSZ130484AD  |

# Compressor / Tubing Assembly/Condenser

Image 1

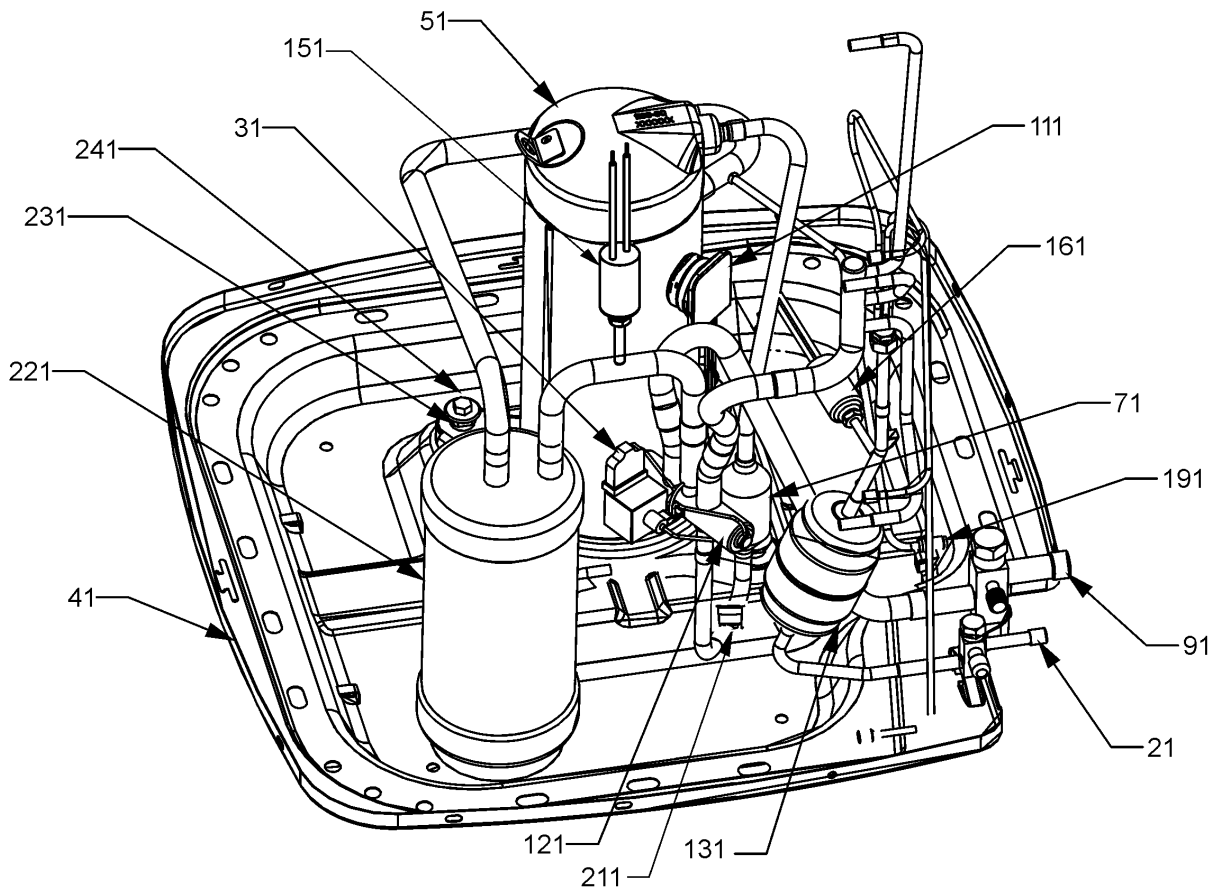
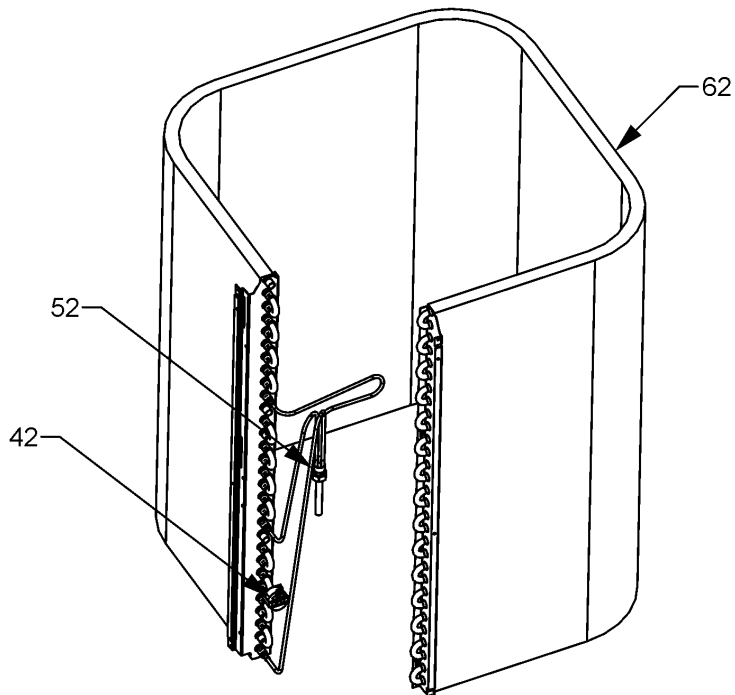


Image 2



# Compressor / Tubing Assembly/Condenser

| Ref. Part No: No: | Description:  | Ref. Part No: No:  | Description:    |             |   |
|-------------------|---------------|--|-----------------|-------------|---|
| <b>Image 1:</b>   |               | <b>Image 1:</b>  |                 |             |   |
| 21                | B12825171     | 3/8 BASE VALVE (OPEN) (M1, M2, M3, M4, M5, M6, M7, M8, M9, M10, M11, M12, M13, M14, M15, M16, M17, M18, M21, M22, M23, M24, M25, M26, M27) | 211             | 0130M00106  | DISC THERMOSTAT CRNKCS HTR SW (M1, M2, M3, M4, M5, M6, M7, M8, M9, M10, M11, M12, M13, M14, M15, M16, M17, M19, M20, M21, M22, M23) |
| 31                | B1225020      | SOLENOID COIL CORD W/1/4" TERMINAL (M1, M3, M4, M7, M8, M10, M11, M12, M14, M15, M17, M18, M19, M20, M21)                                  | 221             | B1226206    | ACCUMULATOR (M1, M2, M3, M4, M5, M6, M7, M8, M9, M10, M11, M12, M13, M14, M15, M16, M18)  |
| 31                | 0130M00083    | SOLENOID HARNESS W/1/4" TERM (M2, M5, M6, M9, M13, M16, M22, M23, M24, M25, M26, M27)  | 221             | 0151R00004P | ACCUMULATOR .750 (M17, M19, M20)  |
| 41                | 0121R00005PDG | BASE PAN 26" (M1, M2, M3, M4, M5, M6, M7, M8, M9, M10, M11, M12, M13, M14, M15, M16)   | 221             | B1226207    | ACCUMULATOR .875 (M21, M22, M23, M24, M25, M26, M27)  |
| 41                | 0121R00006PDG | BASE PAN 29" (M17, M18, M19, M20, M21, M22, M23, M24, M25, M26, M27)   | 231             | B1339533    | COMPRESSOR GROMMET (QTY 4)  |
| 51                | ZP39K5ETFD130 | COMP, 39000, 460/60/3 (M26, M27)   | 241             | M0221641    | TF SHOULDER SCREW (QTY 4)   |
| 51                | ZP20K5EPFV130 | COMP,20000,208/230/60/1 (M7, M10, M11)   | NS              | 20270812    | COMPENSATOR (M17, M19, M20)   |
| 51                | ZP21K5EPFV130 | COMP,21300,208/230/60/1 (M6, M8, M9)   | NS              | 20270815    | COMPENSATOR (M6, M7, M8, M9, M10, M11)  |
| 51                | ZP34K5EPFV130 | COMP,34500,208/230/60/1 (M21)  | NS              | 0163R00004  | HEATER CRANKCASE, 460V, 40W (M26, M27)  |
| 51                | ZP16K5EPFV130 | COMPRESSOR 15500, 208/230/60/1 (M1, M2, M3, M4, M5)  | NS              | 0163R00003  | HEATER, CRANKCASE 230V 40W (M24, M25)   |
| 51                | ZP25K5EPFV130 | COMPRESSOR 25200, 208/230/60/1 (M12, M13, M14, M15, M16)   | NS              | 0163R00002  | HEATER, CRANKCASE 230V, 40W (M18)   |
| 51                | ZP31K5EPFV130 | COMPRESSOR 31100, 208/230/60/1 (M17, M19, M20)   | NS              | 0163R00006  | HEATER, CRANKCASE 230V, 40W (M1, M2, M3, M4, M5, M6, M7, M8, M9, M10, M11, M12, M13, M14, M15, M16, M17, M19, M20)                  |
| 51                | ZP31K5ETF5130 | COMPRESSOR 31200, 200/230/60/3 (M18)   | NS              | 0163R00007  | HEATER, CRANKCASE 230V, 40W (M21, M22, M23)   |
| 51                | ZP39K5ETF5130 | COMPRESSOR 39000, 200/230/60/3 (M24, M25)  | NS              | B1225022    | SOLENOID COIL   |
| 51                | ZP39K5EPFV130 | COMPRESSOR 39000, 208/230/60/1 (M22, M23)  | <b>Image 2:</b> |             |   |
| 71                | B1219301      | MUFFLER 1/2 X 1/2  | 42              | 0130M00098  | CONTROL, DEFROST (M6, M7, M8, M9, M10, M11, M17, M19, M20)  |
| 91                | 0151R00032    | VALVE, BASE 3/4" OPEN LEFT (M1, M2, M3, M4, M5, M6, M7, M8, M9, M10, M11, M12, M13, M14, M15, M16, M17, M18, M19, M20)                     | 42              | 0130M00105  | CONTROL, DEFROST (M1, M2, M3, M4, M5, M12, M13, M14, M15, M16, M18, M21, M22, M23, M24, M25, M26, M27)                              |
| 91                | 0151R00033    | VALVE, BASE 7/8" OPEN LEFT (M21, M22, M23, M24, M25, M26, M27)   | 52              | B1789839    | FLOW CHECK PISTON KIT (M3, M4, M5)  |
| 111               | 0159R00000P   | COMPRESSOR SCROLL HARNESS (M1, M2, M3, M4, M5, M6, M7, M8, M9, M10, M11, M12, M13, M14, M15, M16)  | 52              | B1789872    | FLOW CHECK PISTON KIT (M21)   |
| 111               | 0159R00002P   | COMPRESSOR SCROLL HARNESS (M17, M19, M20, M21, M22, M23)   | 52              | B1789849    | FLOW CHECK PISTON KIT .049 (M14, M15, M16)  |
| 111               | 0159R00008    | COMPRESSOR SCROLL HARNESS (M18, M24, M25, M26, M27)  | 52              | B1789851    | FLOW CHECK PISTON KIT .051 (M1, M2)   |
| 121               | 0151M00018    | REVERSING VALVE (M1, M3, M4, M12, M14, M15)  | 52              | B1789855    | FLOW CHECK PISTON KIT .055 (M19, M20)   |
| 121               | 0151M00019    | REVERSING VALVE (M17, M18, M19, M20)   | 52              | B1789857    | FLOW CHECK PISTON KIT .057 (M6, M7)   |
| 121               | 0151M00020    | REVERSING VALVE (M21, M22, M24, M26)   | 52              | B1789865    | FLOW CHECK PISTON KIT .065 (M12, M13)   |
| 121               | 0151R00067    | REVERSING VALVE (M6, M9)   | 52              | B1789868    | FLOW CHECK PISTON KIT .068 (M18)  |
| 121               | 0151R00068    | REVERSING VALVE (M2, M5, M13, M16)   | 52              | B1789871    | FLOW CHECK PISTON KIT .071 (M17)  |
| 121               | 0151R00070    | REVERSING VALVE (M23, M25, M27)  | 52              | B1789878    | FLOW CHECK PISTON KIT .078 (M22, M23, M24, M25, M26, M27)   |
| 121               | B1227314      | REVERSING VALVE (M7, M8, M10, M11)   | 52              | B1789843    | FLOW CHECK PISTON KIT. (M8, M9, M10, M11)   |
| 131               | 20485201      | BI-FLOW FILTER DRIER (M3, M4, M5, M8, M9, M10, M11, M14, M15, M16, M19, M20)   | 62              | 0201R00150  | COIL TUBING ASSY (M1, M2)   |
| 151               | 0130M00088    | LOW PRESSURE SWITCH (M1, M2, M3, M4, M5, M6, M7, M8, M9, M10, M11, M12, M13, M14, M15, M16, M17, M19, M20, M21, M22, M23)                  | 62              | 0201R00151  | COIL TUBING ASSY (M18)  |
| 151               | 0130R00000    | LOW PRESSURE SWITCH (M18, M24, M25, M26, M27)  | 62              | 0201R00152  | COIL TUBING ASSY (M21)  |
| 161               | 0130M00089    | HIGH PRESSURE SWITCH (M1, M2, M3, M4, M5, M6, M7, M8, M9, M10, M11, M12, M13, M14, M15, M16, M17, M19, M20, M21, M22, M23)                 | 62              | 0201R00154  | COIL TUBING ASSY (M22, M23, M24, M25, M26, M27)   |
| 161               | 0130R00056    | HIGH PRESSURE SWITCH (M18, M24, M25, M26, M27)   | 62              | 0201R00285  | COIL TUBING ASSY (M17)  |
| 191               | B1787000      | VALVE CORE   | 62              | 0201R00317  | COIL TUBING ASSY (M6, M7)   |

# Compressor / Tubing Assembly/Condenser

Ref. Part

No: No:

Description:

Ref. Part

No: No:

Description:

---

## Expanded Model Nomenclature

|                   |
|-------------------|
| M1 - GSZ130181AF  |
| M2 - GSZ130181AG  |
| M3 - GSZ130191AA  |
| M4 - GSZ130191AB  |
| M5 - GSZ130191AC  |
| M6 - GSZ130241BD  |
| M7 - GSZ130241CB  |
| M8 - GSZ130251AA  |
| M9 - GSZ130251AB  |
| M10 - GSZ130251BA |
| M11 - GSZ130251BB |
| M12 - GSZ130301AG |
| M13 - GSZ130301AH |
| M14 - GSZ130311AA |
| M15 - GSZ130311AB |
| M16 - GSZ130311AC |
| M17 - GSZ130361BD |
| M18 - GSZ130363AD |
| M19 - GSZ130371AA |
| M20 - GSZ130371AB |
| M21 - GSZ130421AF |
| M22 - GSZ130481AF |
| M23 - GSZ130481AG |
| M24 - GSZ130483AD |
| M25 - GSZ130483AE |
| M26 - GSZ130484AC |
| M27 - GSZ130484AD |



# Cabinet Top / Side Panels

Image 1

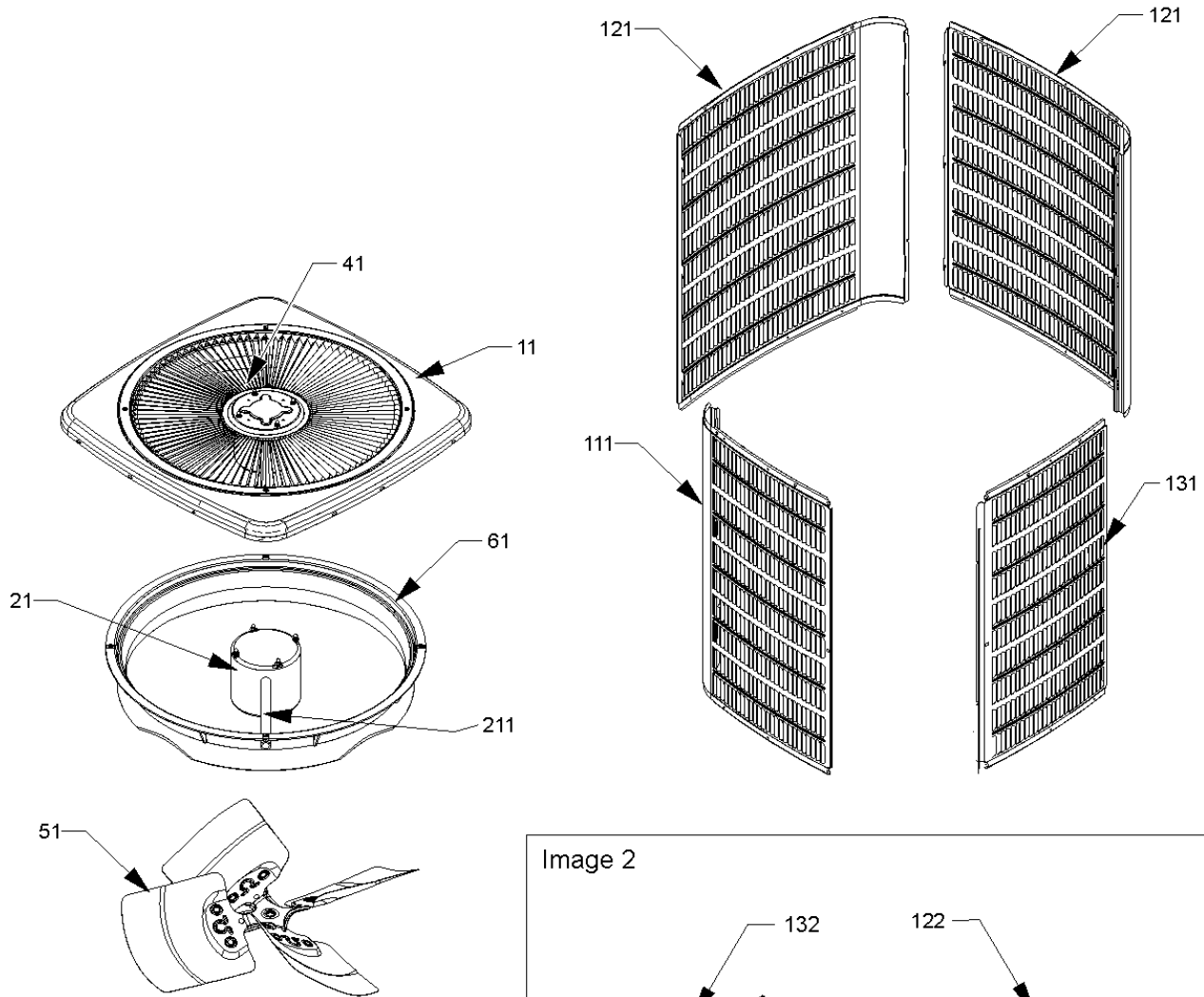
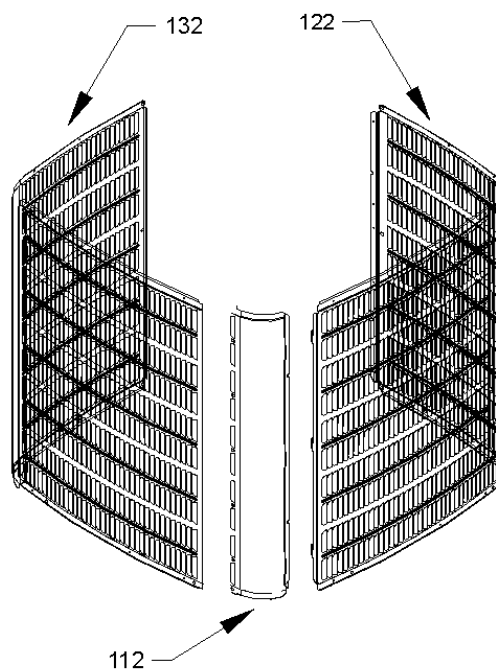


Image 2



# Cabinet Top / Side Panels

| Ref. Part No:   | Ref. Part No:   | Description:   | Description:  |  |
|-----------------|-----------------|--|---|--|
| <b>Image 1:</b> |                 | <b>Image 2:</b>  |   |  |
| 11              | 0121R00008PDG   | PANEL, TOP 26" PNT (M1, M2, M3, M4, M5, M6, M7, M8, M9, M10, M11, M12, M13, M14, M15, M16) | 132 0121R00338PDGLS Louver Panel, PDG 26" _28.49 (M1, M2, M4, M5, M12, M13, M15, M16) |  |
| 11              | 0121R00010PDG   | PANEL, TOP 29" PNT (M17, M18, M19, M20, M21, M22, M23, M24, M25, M26, M27)                 | 132 0121R00337PDGLS Louver Panel, PDG 26" _28.73 (M6, M7, M8, M9, M11)                |  |
| 21              | 0131M00018P     | COND MOTOR 1/4 HP, 1 SP, 6 PL (M17, M18, M19, M20, M21, M22, M23, M24, M25)                | 132 0121R00342PDGLS Louver Panel, PDG 29" _28.73 (M17, M20)                           |  |
| 21              | 0131M00022      | COND MOTOR 1/4 HP, 8 PL, 460V (M26, M27)   | 132 0121R00343PDGLS Louver Panel, PDG 29" _30.49 (M22, M23, M24, M25, M26, M27)       |  |
| 21              | 0131M00294      | COND MOTOR, 1/8HP, ISP, 6PL (M3, M4, M5, M6, M8, M9, M14, M15, M16)                        | 132 0121R00345PDGLS Louver Panel, PDG 29" _34.49 (M18)                                |  |
| 21              | 0131M00266      | COND MOTOR 1/8 HP 8 PL PSC (M1, M2, M7, M10, M11, M12, M13)                                | <b>Expanded Model Nomenclature</b>  |  |
| 41              | 0163M00006P     | ACORN NUT 5/16 HEX BLACK (QTY 4)   | M1 - GSZ130181AF  |  |
| 51              | 0150M00012      | BLADE-FAN 20" CCW (M7, M10, M11, M12, M13)   | M2 - GSZ130181AG  |  |
| 51              | 0150M00018      | FAN BLADE 20" (M1, M2)   | M3 - GSZ130191AA  |  |
| 51              | B1086750        | FAN BLADE 22", 3 BLADE, 24° (M22, M23, M24, M25)   | M4 - GSZ130191AB  |  |
| 51              | B1086765S       | FAN BLADE TYPE 3 (M26, M27)  | M5 - GSZ130191AC  |  |
| 51              | 0150M00031      | FAN BLADE, 20", 3 BLADE, 21DEG (M3, M4, M5)  | M6 - GSZ130241BD  |  |
| 51              | 0150M00033      | FAN BLADE, 20", 3 BLADE, 24DEG (M6, M8, M9, M14, M15, M16)                                 | M7 - GSZ130241CB  |  |
| 51              | 0150M00022      | FAN BLADE, 22" (M17, M18, M19, M20, M21)   | M8 - GSZ130251AA  |  |
| 61              | 0161L00000      | VENTURI RING 22" (M17, M18, M19, M20, M21, M22, M23, M24, M25, M26, M27)                   | M9 - GSZ130251AB  |  |
| 111             | 0121R00015PDGB  | LOUVERED SIDE PANEL [LT OF CNTL PNL] (M3, M14)   | M10 - GSZ130251BA   |  |
| 111             | 0121R00027PDGB  | LOUVERED SIDE PANEL [LT OF CNTL PNL] (M21)   | M11 - GSZ130251BB   |  |
| 111             | 0121R00125PDGB  | LOUVERED SIDE PANEL [LT OF CNTL PNL] (M19)   | M12 - GSZ130301AG   |  |
| 111             | 0121R00171PDGB  | LOUVERED SIDE PANEL [LT OF CNTL PNL] (M10)   | M13 - GSZ130301AH   |  |
| 121             | 0121R00018PDGB  | LOUVERED SIDE PANEL (M3, M14)  | M14 - GSZ130311AA   |  |
| 121             | 0121R00033PDGB  | LOUVERED SIDE PANEL (M21)  | M15 - GSZ130311AB   |  |
| 121             | 0121R00132PDGB  | LOUVERED SIDE PANEL (M19)  | M16 - GSZ130311AC   |  |
| 121             | 0121R00172PDGB  | LOUVERED SIDE PANEL (M10)  | M17 - GSZ130361BD   |  |
| 131             | 0121R00021PDG   | LOUVERED SIDE PANEL [RT OF CNTL PNL] (M3, M14)   | M18 - GSZ130363AD   |  |
| 131             | 0121R00039PDG   | LOUVERED SIDE PANEL [RT OF CNTL PNL] (M21)   | M19 - GSZ130371AA   |  |
| 131             | 0121R00139PDG   | LOUVERED SIDE PANEL [RT OF CNTL PNL] (M19)   | M20 - GSZ130371AB   |  |
| 131             | 0121R00173PDG   | LOUVERED SIDE PANEL [RT OF CNTL PNL] (M10)   | M21 - GSZ130421AF   |  |
| 211             | 0161R00001P     | CONDUIT (M1, M2, M3, M4, M5, M6, M7, M8, M9, M10, M11, M12, M13, M14, M15, M16)            | M22 - GSZ130481AF   |  |
| 211             | 0161R00002P     | CONDUIT (M17, M18, M19, M20, M21, M22, M23, M24, M25, M26, M27)                            | M23 - GSZ130481AG   |  |
| 112             | 0121R00349PDG   | Louver Post, PDG 28.49 (M1, M2, M4, M5, M12, M13, M15, M16)                                | M24 - GSZ130483AD   |  |
| 112             | 0121R00350PDG   | Louver Post, PDG 28.73 (M6, M7, M8, M9, M11, M17, M20)                                     | M25 - GSZ130483AE   |  |
| 112             | 0121R00351PDG   | Louver Post, PDG 30.49 (M22, M23, M24, M25, M26, M27)                                      | M26 - GSZ130484AC   |  |
| 112             | 0121R00353PDG   | Louver Post, PDG 34.49 (M18)   | M27 - GSZ130484AD   |  |
| 122             | 0121R00338PDGRS | Louver Panel, PDG 26" _28.49 (M1, M2, M4, M5, M12, M13, M15, M16)                          |   |  |
| 122             | 0121R00337PDGRS | Louver Panel, PDG 26" _28.73 (M6, M7, M8, M9, M11)   |   |  |
| 122             | 0121R00342PDGRS | Louver Panel, PDG 29" _28.73 (M17, M20)  |   |  |
| 122             | 0121R00343PDGRS | Louver Panel, PDG 29" _30.49 (M22, M23, M24, M25, M26, M27)                                |   |  |
| 122             | 0121R00345PDGRS | Louver Panel, PDG 29" _34.49 (M18)   |   |  |