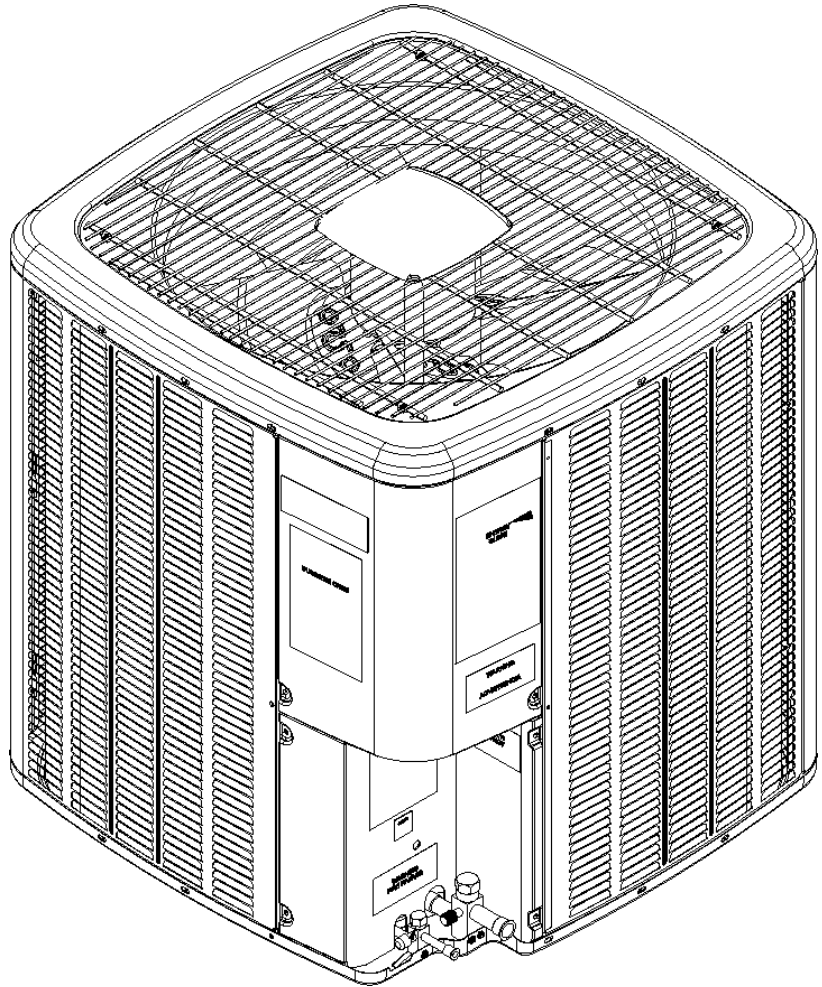


GSX16 Remote Condensing Unit

GSX160181FC
GSX160241FC
GSX160301FC
GSX160361FC
GSX160421FC
GSX160481FC
GSX160601FC
GSX160611FC



This manual is to be used by qualified technicians only.

Important Information

Index

Functional Parts List	3
Illustration and Parts	4 - 9

Views shown are for parts illustrations only, not servicing procedures

Text Codes:

AR - As Required

NA - Not Available

NS - Not Shown

00000000 - See Note

QTY - Quantity Example (QTY 3) (If Quantity not shown, Quantity = 1)

M - Model Example (M1) (If M Code not shown, then part is used on all Models)

Expanded Model Nomenclature:

Example M1 - Model#1 M2 - Model#2 M3 - Model#3

Goodman Manufacturing Company, L.P. is not responsible for personal injury or property damage resulting from improper service. Review all service information before beginning repairs.

Warranty service must be performed by an authorized technician, using authorized factory parts. If service is required after the warranty expires, Goodman Manufacturing Company, L.P. also recommends contacting an authorized technician and using authorized factory parts.

Goodman Manufacturing Company, L.P. reserves the right to discontinue, or change at any time, specifications or designs without notice or without incurring obligations.

For assistance within the U.S.A. contact:
Consumer Affairs Department
Goodman Manufacturing Company, L.P.
7401 Security Way
Houston, Texas 77040
877-254-4729-Telephone
713-863-2382-Facsimile

For assistance outside the U.S.A. contact:
International Division
Goodman Manufacturing Company, L.P.
7401 Security Way
Houston, Texas 77040
713-861-2500-Telephone
713-863-2382-Facsimile

Functional Parts

Part

No: Description:

0151R00046	7/8" BALL VALVE (M3, M4, M5, M6, M7, M8)
0151R00045	BALL VALVE, 3/4 (M1, M2)
0151R00078	BASE VALVE 3/8"
CAP050300440CS	CAP,5/30MFD/440V/DUAL RD (M1)
CAP050350440CS	CAPACITOR 5/35/440V (M2)
CAP050400440CT	CAPACITOR 5/40/440V/DUAL RD (M3)
CAP050450440CT	CAPACITOR 5/45/440V/DUAL RD (M4, M5, M6)
CAP050700440CT	CAPACITOR 5/70/440V/DUAL RD (M7, M8)
ZP14K5EPFV130	COMP, 14650,208/230/60/1 (M1)
ZP24K5EPFV130	COMP,24000,208/230/60/1 (M3)
ZP29K5EPFV130	COMP,29000,208/230/60/1 (M4)
ZP44K5EPFV130	COMP,44400,280/230/60/1 (M7)
ZP49K5EPFV130	COMP,49400,208/230/60/1 (M8)
ZP20K5EPFV130	COMPRESSOR 20000, 208/230/60/1 (M2)
ZP34K5EPFV130	COMPRESSOR 34500, 208/230/60/1 (M5)
ZP36K5EPFV130	COMPRESSOR 36200, 208/230/60/1 (M6)
0131M00061	COND MOTOR 1/4 HP, 1 SP, 8 PL (M6, M8)
0131M00060	COND MOTOR 1/6 HP, 1 SP, 8 PL (M1, M2, M3, M4, M5)
0131M00401	COND MOTOR, ECM (M7)
CONT1P025024V	CONTACTOR 25 AMP, 1P, 24V (M1, M2, M4)
CONT1P030024V	CONTACTOR 30 AMP, 1P, 24V (M3, M5, M6, M7, M8)
0150M00008	FAN BLADE 22" TNT2203-25 (M1, M2, M3, M4)
0150M00010	FAN BLADE 26" ALUM CCW (M7)
10625738	FAN BLADE 26" ALUM CCW (M5, M6, M8)
0163R00003	HEATER, CRANKCASE 230V 40W (M7)

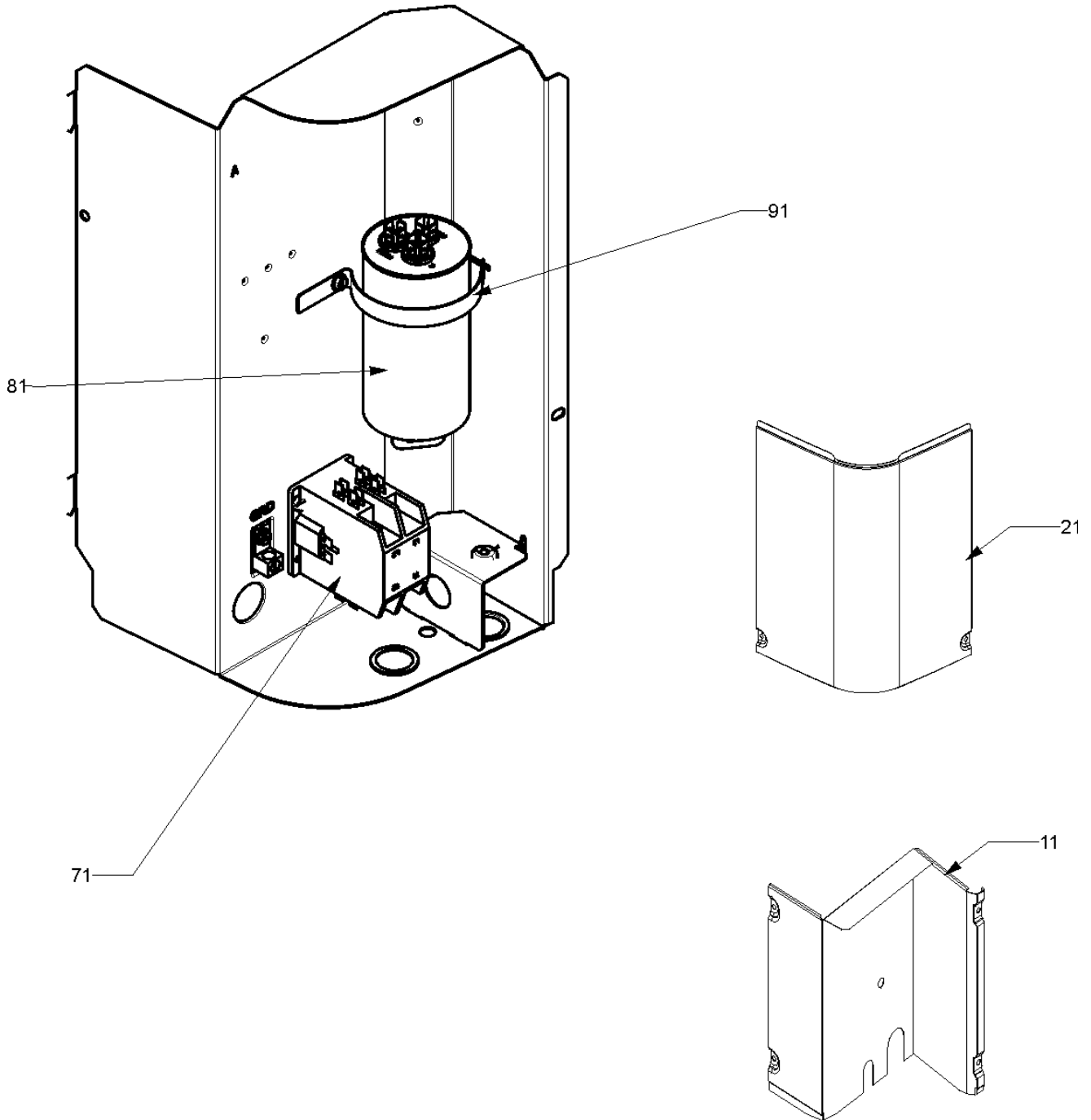
SPECIAL PARTS

0161R00009P NAMEPLATE

Expanded Model Nomenclature

M1 - GSX160181FC
M2 - GSX160241FC
M3 - GSX160301FC
M4 - GSX160361FC
M5 - GSX160421FC
M6 - GSX160481FC
M7 - GSX160601FC
M8 - GSX160611FC

Control Box



Control Box

Ref. Part No: No:	Description:	Ref. Part No: No:	Description:
-------------------	--------------	-------------------	--------------

Image 1:

11	0121R00357PDG	PANEL, LOWER ACCESS (M1, M2)
11	0121R00358PDG	PANEL, LOWER ACCESS (M3, M5)
11	0121R00359PDG	PANEL, LOWER ACCESS (M4, M6, M8)
11	0121R00516PDG	PANEL, LOWER ACCESS (M7)
21	0121R00053PDG	CONTROL COVER
71	CONT1P025024V	CONTACTOR 25 AMP, 1P, 24V (M1, M2, M4)
71	CONT1P030024V	CONTACTOR 30 AMP, 1P, 24V (M3, M5, M6, M7, M8)
81	CAP050300440CS	CAP.5/30MFD/440V/DUAL RD (M1)
81	CAP050350440CS	CAPACITOR 5/35/440V (M2)
81	CAP050400440CT	CAPACITOR 5/40/440V/DUAL RD (M3)
81	CAP050450440CT	CAPACITOR 5/45/440V/DUAL RD (M4, M5, M6)
81	CAP050700440CT	CAPACITOR 5/70/440V/DUAL RD (M7, M8)
91	4400065	CAPACITOR STRAP
NS	0161R00009P	NAMEPLATE

Expanded Model Nomenclature

M1 - GSX160181FC
M2 - GSX160241FC
M3 - GSX160301FC
M4 - GSX160361FC
M5 - GSX160421FC
M6 - GSX160481FC
M7 - GSX160601FC
M8 - GSX160611FC

Cabinet Top / Side Panels

IMAGE 1

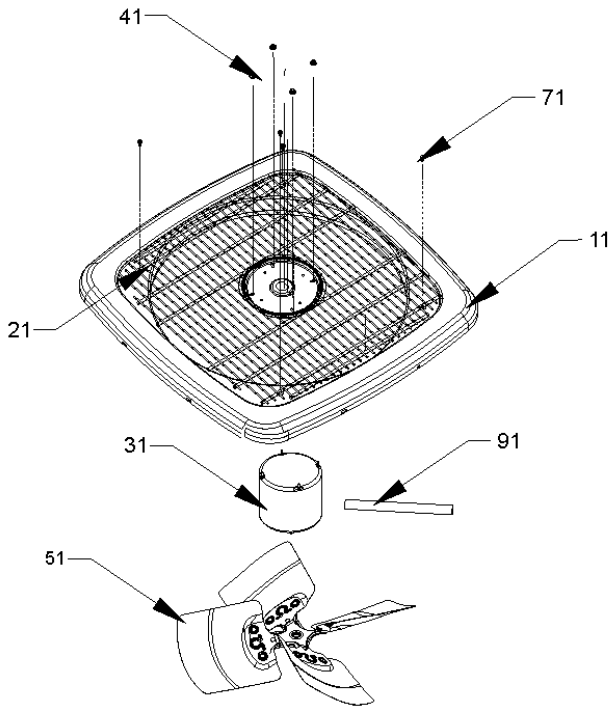


IMAGE 2

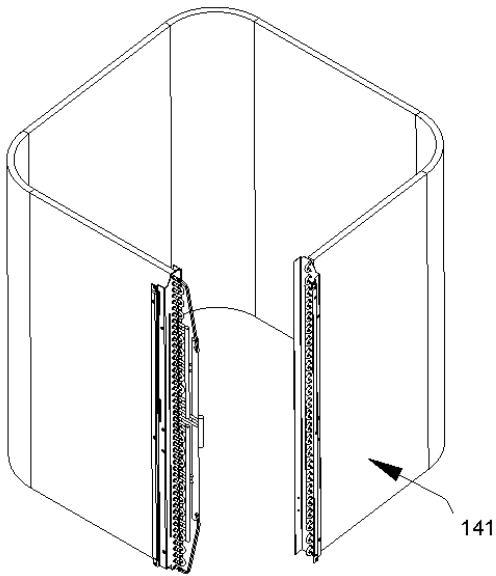
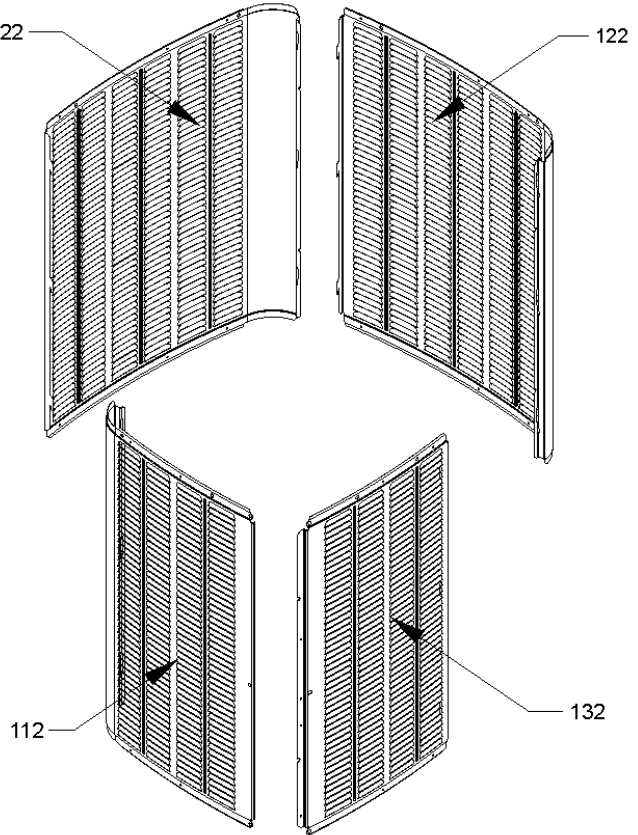
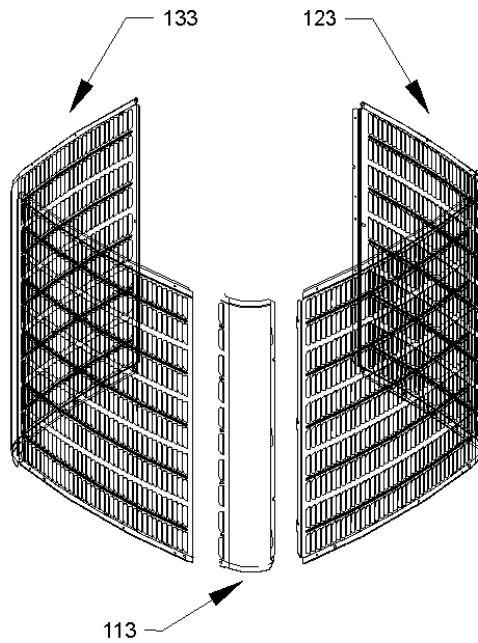


IMAGE 3



Cabinet Top / Side Panels

Ref. Part

No: No: Description:

Ref. Part

No: No: Description:

Image 1:

11	0121R00011PDG	VENTURI TOP PANEL 29" (M1, M2, M3, M4)
11	0121R00013PDG	VENTURI TOP PANEL 35" (M5, M6, M7, M8)
21	0152R00011	GRILLE, WIRE 29" TOP (M1, M2, M3, M4)
21	0152R00014	GRILLE, WIRE 35" TOP (M5, M6, M7, M8)
31	0131M00061	COND MOTOR 1/4 HP, 1 SP, 8 PL (M6, M8)
31	0131M00060	COND MOTOR 1/6 HP, 1 SP, 8 PL (M1, M2, M3, M4, M5)
31	0131M00401	COND MOTOR, ECM (M7)
41	M0280801	HEX NUT (M1, M2, M3, M4, M5, M6, M8)
41	B1393024	LOCK NUT (M7)
51	0150M00008	FAN BLADE 22" TNT2203-25 (M1, M2, M3, M4)
51	0150M00010	FAN BLADE 26" ALUM CCW (M7)
51	10625738	FAN BLADE 26" ALUM CCW (M5, M6, M8)
71	0163M00003P	SCREW #10 X 1/2, A, SLOT, SR, BLACK (M1, M2, M4, M5, M6, M7, M8)
91	0161R00002P	CONDUIT (M1, M2, M3, M4)
91	0161R00004P	CONDUIT (M5, M6, M8)
141	0201R00236	COIL TUBING ASSY (M4)
141	0201R00296	COIL TUBING ASSY (M1, M2)
141	0201R00311	COIL TUBING ASSY (M5)
141	0201R00315	COIL TUBING ASSY (M3)
141	0201R00433	COIL TUBING ASSY (M6, M8)
141	0201R00434	COIL TUBING ASSY (M7)
NS	B1789872	FLOW CHECK PISTON KIT (M4)
NS	B1789886	FLOW CHECK PISTON KIT (M7)
NS	B1789849	FLOW CHECK PISTON KIT .049 (M1)
NS	B1789857	FLOW CHECK PISTON KIT .057 (M2)
NS	B1789865	FLOW CHECK PISTON KIT .065 (M3)
NS	B1789874	FLOW CHECK PISTON KIT .074 (M5)
NS	B1789878	FLOW CHECK PISTON KIT .078 (M6)
NS	B1789888	FLOW CHECK PISTON KIT .088 (M8)

Expanded Model Nomenclature

M1 - GSX160181FC
M2 - GSX160241FC
M3 - GSX160301FC
M4 - GSX160361FC
M5 - GSX160421FC
M6 - GSX160481FC
M7 - GSX160601FC
M8 - GSX160611FC

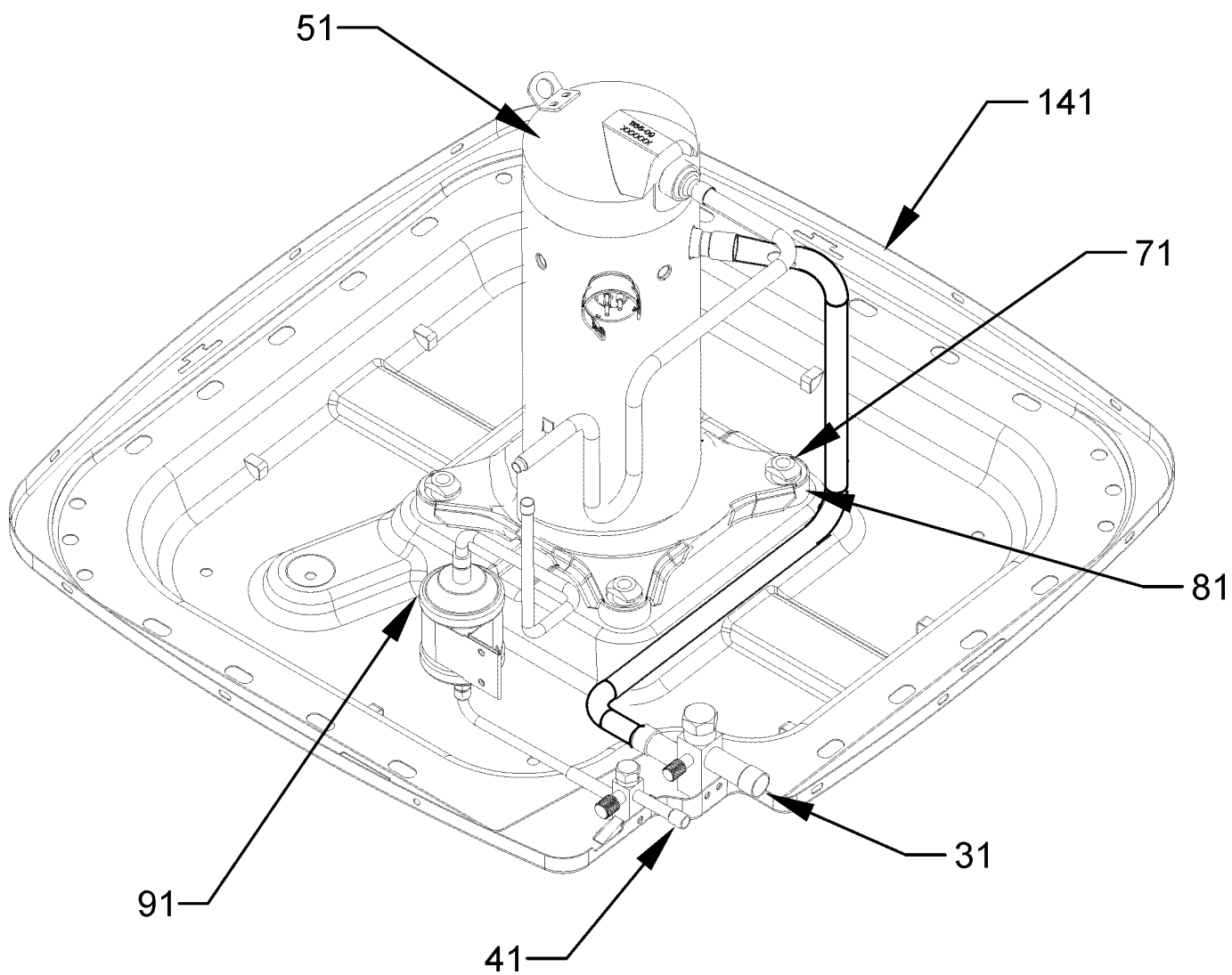
Image 2:

112	0121R00043PDGB	LOUVERED SIDE PANEL [LT OF CNTL PNL] (M7)
112	0121R00228PDGB	LOUVERED SIDE PANEL [LT OF CNTL PNL] (M5)
112	0121R00229PDGB	LOUVERED SIDE PANEL [LT OF CNTL PNL] (M6, M8)
122	0121R00232PDGB	LOUVERED PANEL (M6, M8)
122	0121R00047PDGB	LOUVERED SIDE PANEL (M7)
122	0121R00231PDGB	LOUVERED SIDE PANEL (M5)
132	0121R00051PDG	LOUVERED SIDE PANEL [RT OF CNTL PNL] (M7)
132	0121R00234PDG	LOUVERED SIDE PANEL [RT OF CNTL PNL] (M5)
132	0121R00235PDG	LOUVERED SIDE PANEL [RT OF CNTL PNL] (M6, M8)

Image 3:

113	0121R00350PDG	Louver Post, PDG 28.73 (M1, M2)
113	0121R00352PDG	Louver Post, PDG 32.51 (M3)
113	0121R00354PDG	Louver Post, PDG 36.30 (M4)
123	0121R00342PDGRS	LOUVERED PANEL (M1, M2)
123	0121R00344PDGRS	LOUVERED PANEL (M3)
123	0121R00346PDGRS	LOUVERED PANEL (M4)
133	0121R00342PDGLS	LOUVERED PANEL (M1, M2)
133	0121R00344PDGLS	LOUVERED PANEL (M3)
133	0121R00346PDGLS	LOUVERED PANEL (M4)

Compressor / Tubing Assembly



Compressor / Tubing Assembly

Ref. Part No: No:	Description:	Ref. Part No: No:	Description:
Image 1:			
31	0151R00046		7/8" BALL VALVE (M3, M4, M5, M6, M7, M8)
31	0151R00045		BALL VALVE, 3/4 (M1, M2)
41	0151R00078		BASE VALVE 3/8"
51	ZP14K5EPFV130		COMP, 14650,208/230/60/1 (M1)
51	ZP24K5EPFV130		COMP,24000,208/230/60/1 (M3)
51	ZP29K5EPFV130		COMP,29000,208/230/60/1 (M4)
51	ZP44K5EPFV130		COMP,44400,280/230/60/1 (M7)
51	ZP49K5EPFV130		COMP,49400,208/230/60/1 (M8)
51	ZP20K5EPFV130		COMPRESSOR 20000, 208/230/60/1 (M2)
51	ZP34K5EPFV130		COMPRESSOR 34500, 208/230/60/1 (M5)
51	ZP36K5EPFV130		COMPRESSOR 36200, 208/230/60/1 (M6)
71	M0221641		TF SHOULDER SCREW (QTY 4)
81	B1339533		COMPRESSOR GROMMET (QTY 4)
91	0162R00009		FILTER DRIER
141	0121R00006PDG		BASE PAN 29" (M1, M2, M3, M4)
141	0121R00007PDG		BASE PAN 35" (M5, M6, M7, M8)
NS	0159R00001P		COMPRESSOR SCROLL HARNESS (M1, M2, M3, M4)
NS	0159R00002P		COMPRESSOR SCROLL HARNESS (M5, M6, M7, M8)
NS	0163R00003		HEATER, CRANKCASE 230V 40W (M7)
NS	0121R00003		MOTOR MOUNT BRACKET (M7)

Expanded Model Nomenclature

M1 - GSX160181FC
M2 - GSX160241FC
M3 - GSX160301FC
M4 - GSX160361FC
M5 - GSX160421FC
M6 - GSX160481FC
M7 - GSX160601FC
M8 - GSX160611FC