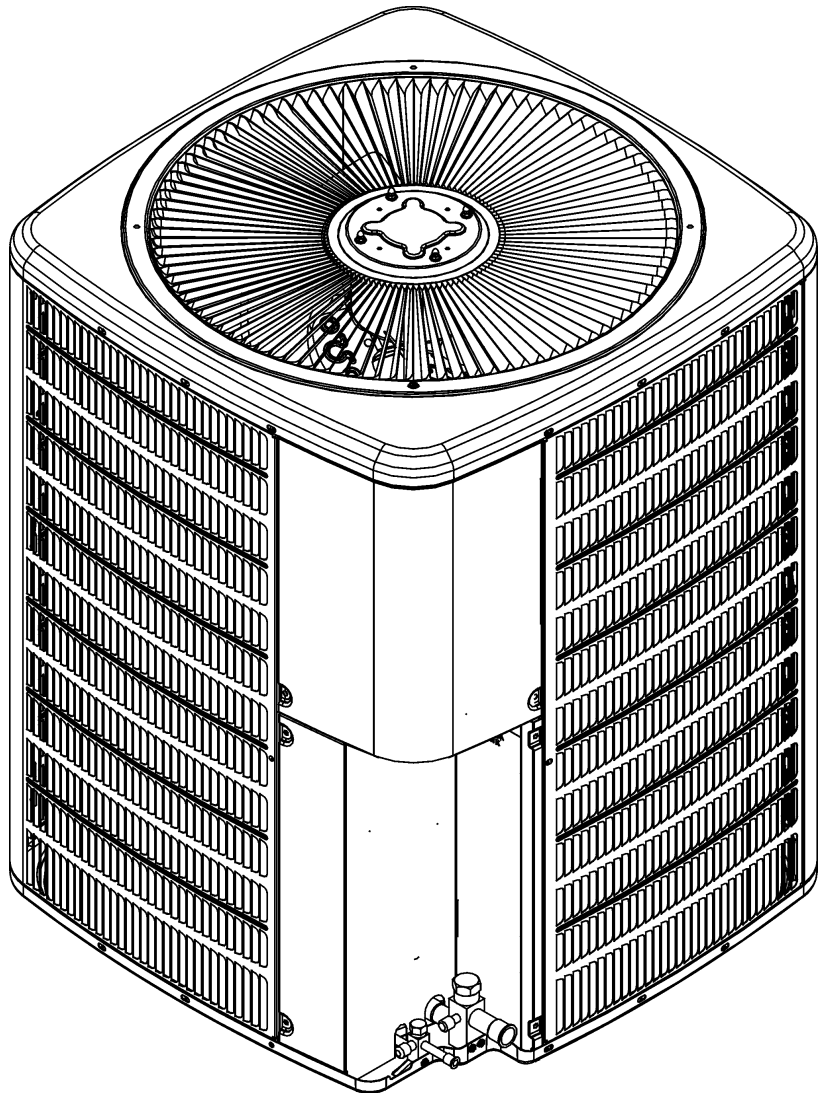


GSX14 Remote Condensing Unit

GSX140181KA
GSX140181LA
GSX140191KA
GSX140191KB
GSX140241KA
GSX140241KB
GSX140241LA
GSX140241LB
GSX140251KA
GSX140251LA
GSX140301KA
GSX140301KB
GSX140311KA
GSX140311KB
GSX140361KA
GSX140361KB
GSX140361KC
GSX140371KA
GSX140371KB
GSX140371KC
GSX140421KA
GSX140421KB
GSX140421KC
GSX140431KA
GSX140431KB
GSX140431KC
GSX140481KA
GSX140481KB
GSX140601KA
GSX140601KB



This manual is to be used by qualified technicians only.

This manual replaces RP-G4000D.

© 2014 - 2016 Goodman Manufacturing Company, L.P. ♦ 5151 San Felipe St., Suite 500 ♦ Houston, TX 77056

Important Information

Index

Functional Parts List	3
Illustration and Parts	4 - 9

Views shown are for parts illustrations only, not servicing procedures

Text Codes:

AR - As Required

NA - Not Available

NS - Not Shown

00000000 - See Note

QTY - Quantity Example (QTY 3) (If Quantity not shown, Quantity = 1)

M - Model Example (M1) (If M Code not shown, then part is used on all Models)

Expanded Model Nomenclature:

Example M1 - Model#1 M2 - Model#2 M3 - Model#3

Goodman Manufacturing Company, L.P. is not responsible for personal injury or property damage resulting from improper service. Review all service information before beginning repairs.

Warranty service must be performed by an authorized technician, using authorized factory parts. If service is required after the warranty expires, Goodman Manufacturing Company, L.P. also recommends contacting an authorized technician and using authorized factory parts.

Goodman Manufacturing Company, L.P. reserves the right to discontinue, or change at any time, specifications or designs without notice or without incurring obligations.

For assistance within the U.S.A. contact:
Homeowner Support
Goodman Manufacturing Company, L.P.
19001 Kermier Road
Waller, Texas 77484
877-254-4729-Telephone
713-863-2382-Facsimile

For assistance outside the U.S.A. contact:
International Division
Goodman Manufacturing Company, L.P.
19001 Kermier Road
Waller, Texas 77484
713-861-2500-Telephone
713-863-2382-Facsimile

Functional Parts

Part

No: **Description:**

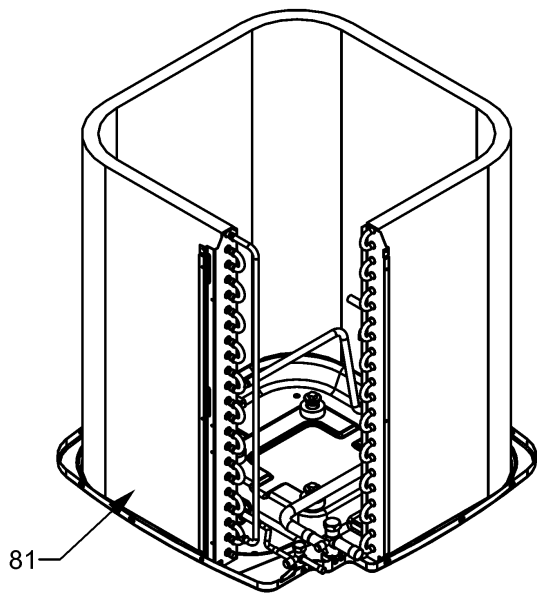
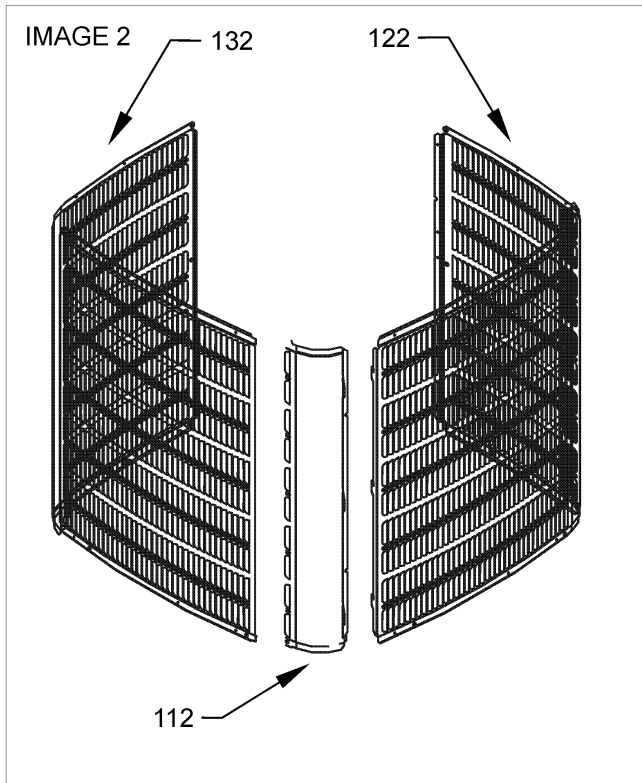
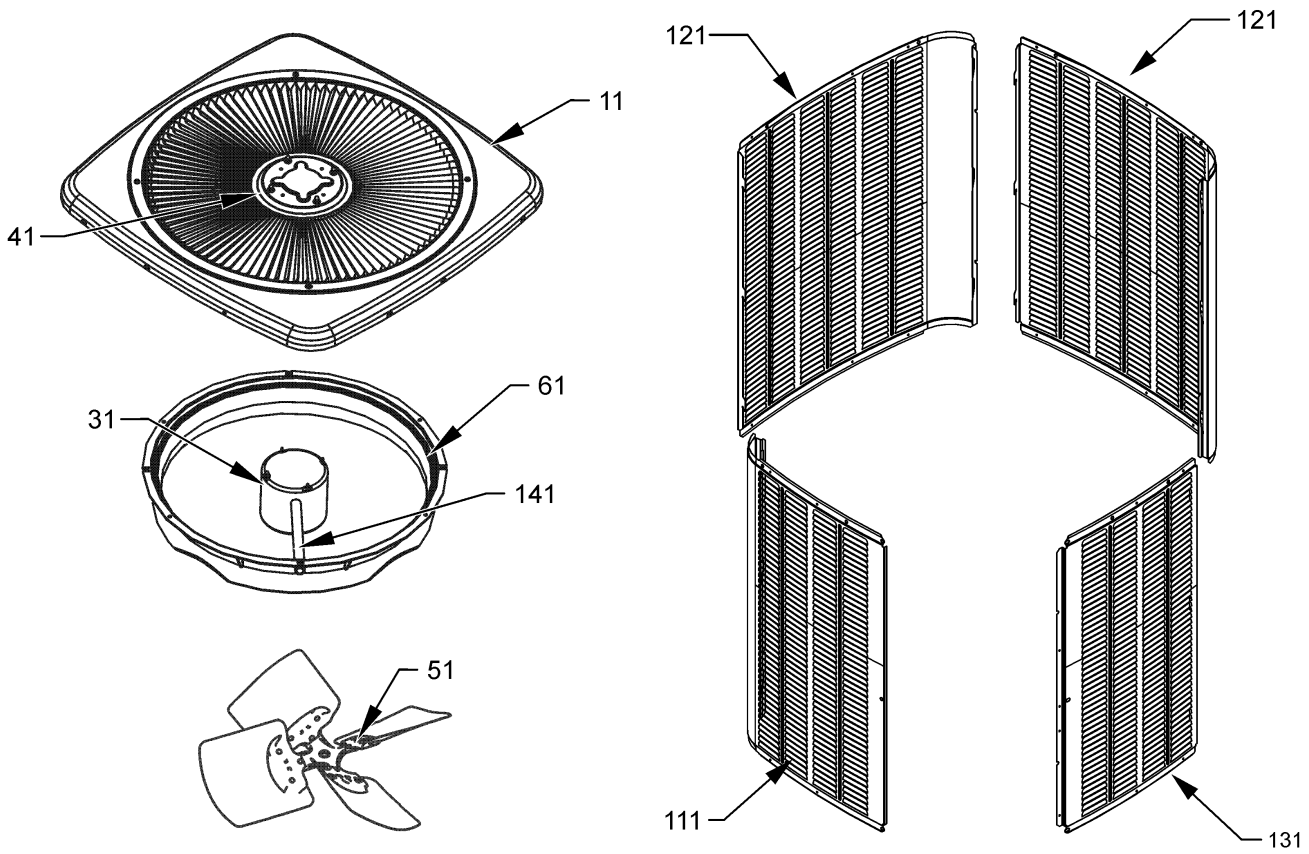
		Expanded Model Nomenclature
50N382XV-ZAKM	1.5TONRECHI COMPR.4 LEGS (M2)	M1 - GSX140181KA
50N492ZV-ZAKM	2.0TONRECHI COMPR.4 LEGS (M7, M8)	M2 - GSX140181LA
0151R00079	BASE VALVE 3/4" (M1, M2, M3, M4, M5, M6, M7, M8, M9, M10, M11, M12, M13, M14, M15, M16, M17, M18, M19, M20)	M3 - GSX140191KA
0151R00078	BASE VALVE 3/8"	M4 - GSX140191KB
0151R00080	BASE VALVE 7/8" (M21, M22, M23, M24, M25, M26, M27, M28, M29, M30)	M5 - GSX140241KA
CAP050300440CS	CAP,5/30MFD/440V/DUAL RD (M1, M3, M4)	M6 - GSX140241KB
CAP050350440CS	CAPACITOR 5/35/440V (M2, M5, M6, M9, M10)	M7 - GSX140241LA
CAP050400440CT	CAPACITOR 5/40/440V/DUAL RD (M11, M12, M13, M14)	M8 - GSX140241LB
CAP050450440CT	CAPACITOR 5/45/440V/DUAL RD (M7, M8, M15, M16, M17, M18, M19, M20, M21, M22, M23, M24, M25, M26, M27, M28)	M9 - GSX140251KA
CAP050700440CT	CAPACITOR 5/70/440V/DUAL RD (M29, M30)	M10 - GSX140251LA
ZP14K6EPFV130	COMP, 14,000,208/230/60/1 (M3, M4)	M11 - GSX140301KA
ZP20K6EPFV130	COMP, 20,000,208/230/60/1 (M5, M6, M9)	M12 - GSX140301KB
ZP24K6EPFV130	COMP, 24,000,208/230/60/1 (M13, M14)	M13 - GSX140311KA
ZP29K6EPFV130	COMP, 29,000,208/230/60/1 (M18, M19, M20)	M14 - GSX140311KB
ZP24K5EPFV130	COMP,24000,208/230/60/1 (M11, M12)	M15 - GSX140361KA
ZP29K5EPFV130	COMP,29000,208/230/60/1 (M15, M16, M17)	M16 - GSX140361KB
ZP49K5EPFV130	COMP,49400,208/230/60/1 (M29, M30)	M17 - GSX140361KC
ZP16K5EPFV130	COMPRESSOR 15500, 208/230/60/1 (M1)	M18 - GSX140371KA
ZP20K5EPFV130	COMPRESSOR 20000, 208/230/60/1 (M10)	M19 - GSX140371KB
ZP31K5EPFV130	COMPRESSOR 31100, 208/230/60/1 (M21, M22, M23, M24, M25, M26)	M20 - GSX140371KC
ZP38K5EPFV130	COMPRESSOR 37500, 208/230/60/1 (M27, M28)	M21 - GSX140421KA
0131M00019P	COND MOTOR 1/12 HP, 1 SP, 8 PL (M5, M8)	M22 - GSX140421KB
0131M00061	COND MOTOR 1/4 HP, 1 SP, 8 PL (M27, M28, M29, M30)	M23 - GSX140421KC
0131M00060	COND MOTOR 1/6 HP, 1 SP, 8 PL (M11, M13, M15, M18, M19, M21, M24, M25)	M24 - GSX140431KA
0131M00266	COND MOTOR 1/8 HP, 8 PL, PSC (M1, M2, M3, M4, M6, M7, M9, M10)	M25 - GSX140431KB
0131M00753	COND MOTOR, 1/6HP, 1SP, 8PL, AL (M12, M14, M16, M17, M20, M22, M23, M26)	M26 - GSX140431KC
CONT1P025024V	CONTACTOR 25 AMP, 1P, 24V (M1, M2, M3, M4, M5, M6, M7, M8, M9, M10, M11, M12, M13, M14, M15, M16, M17, M18, M19, M20, M21, M22, M23, M24, M25, M26)	M27 - GSX140481KA
CONT1P030024V	CONTACTOR 30 AMP, 1P, 24V (M27, M28, M29, M30)	M28 - GSX140481KB
0150M00001P	FAN BLADE 20 INCH (M8)	M29 - GSX140601KA
0150M00012	FAN BLADE 20" CCW (M1, M2, M3, M4, M5, M6, M7, M9, M10)	M30 - GSX140601KB
0150M00008	FAN BLADE 22" TNT2203-25 (M13, M14, M15, M16, M17, M18, M19, M20)	
10625738	FAN BLADE 26" ALUM CCW (M27, M28, M29, M30)	
B1086764	FAN BLADE TYPE 2 (M11, M12, M21, M22, M23, M24, M25, M26)	
CSR-U-1	HARD START KIT (M3)	

SPECIAL PARTS

0161R00009P NAMEPLATE

Cabinet Top & Side Panels

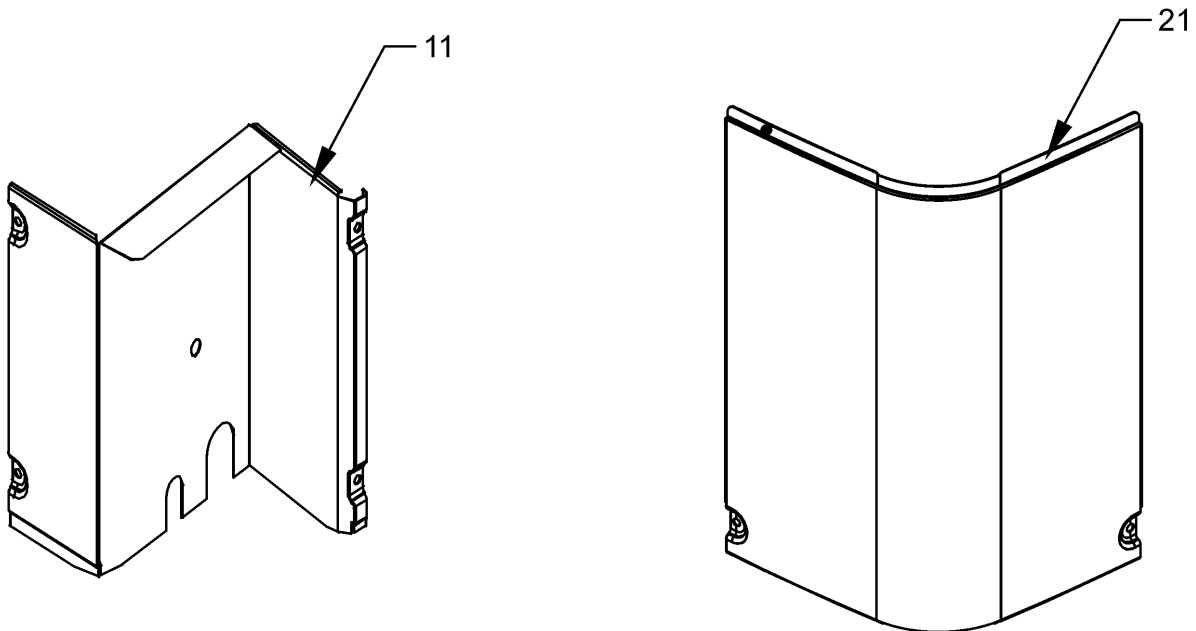
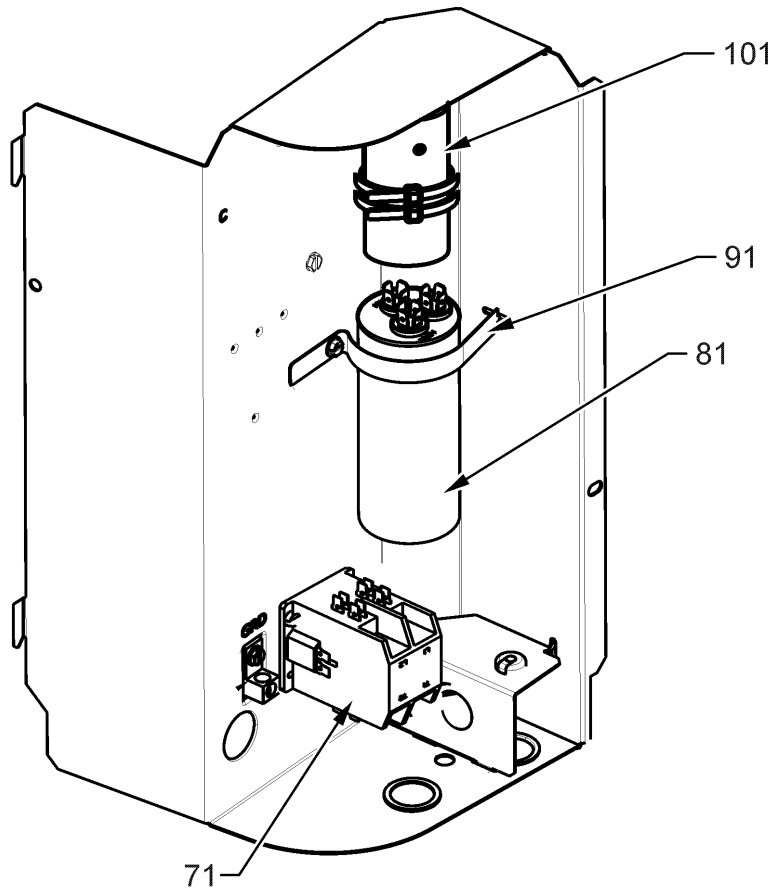
IMAGE 1



Cabinet Top & Side Panels

Ref. Part No: No:	Description:	Ref. Part No: No:	Description:																														
Image 1:		Image 2:																															
11	0121R00008PDG TOP PANEL 26" (M1, M2, M3, M4, M5, M6, M7, M8, M9, M10)	122	0121R00337PDGLS Louver Panel, PDG 26" _28.73 (M10)																														
11	0121R00010PDG TOP PANEL 29" (M11, M12, M13, M14, M15, M16, M17, M18, M19, M20, M21, M22, M23, M24, M25, M26)	122	0121R00342PDGLS Louver Panel, PDG 29" _28.73 (M11, M12, M13, M14, M15, M16, M17, M18, M19, M20)																														
11	0121R00269PDG TOP PANEL, 35" PNT (M27, M28, M29, M30)	122	0121R00344PDGLS Louver Panel, PDG 29" _32.51 (M21, M22, M23, M24, M25, M26)																														
31	0131M00019P COND MOTOR 1/12 HP, 1 SP, 8 PL (M5, M8)	132	0121R00336PDGRS Louver Panel, PDG 26" _23.73 (M1, M2, M3, M4, M5, M6, M7, M8, M9)																														
31	0131M00061 COND MOTOR 1/4 HP, 1 SP, 8 PL (M27, M28, M29, M30)	132	0121R00337PDGRS Louver Panel, PDG 26" _28.73 (M10)																														
31	0131M00060 COND MOTOR 1/6 HP, 1 SP, 8 PL (M11, M13, M15, M18, M19, M21, M24, M25)	132	0121R00342PDGRS Louver Panel, PDG 29" _28.73 (M11, M12, M13, M14, M15, M16, M17, M18, M19, M20)																														
31	0131M00266 COND MOTOR 1/8 HP, 8 PL, PSC (M1, M2, M3, M4, M6, M7, M9, M10)	132	0121R00344PDGRS Louver Panel, PDG 29" _32.51 (M21, M22, M23, M24, M25, M26)																														
31	0131M00753 COND MOTOR, 1/6HP, 1SP, 8PL, AL (M12, M14, M16, M17, M20, M22, M23, M26)	Expanded Model Nomenclature																															
41	0163M00006P ACORN NUT 5/16 HEX BLACK (QTY 4)	<table border="1"> <tr><td>M1 - GSX140181KA</td></tr> <tr><td>M2 - GSX140181LA</td></tr> <tr><td>M3 - GSX140191KA</td></tr> <tr><td>M4 - GSX140191KB</td></tr> <tr><td>M5 - GSX140241KA</td></tr> <tr><td>M6 - GSX140241KB</td></tr> <tr><td>M7 - GSX140241LA</td></tr> <tr><td>M8 - GSX140241LB</td></tr> <tr><td>M9 - GSX140251KA</td></tr> <tr><td>M10 - GSX140251LA</td></tr> <tr><td>M11 - GSX140301KA</td></tr> <tr><td>M12 - GSX140301KB</td></tr> <tr><td>M13 - GSX140311KA</td></tr> <tr><td>M14 - GSX140311KB</td></tr> <tr><td>M15 - GSX140361KA</td></tr> <tr><td>M16 - GSX140361KB</td></tr> <tr><td>M17 - GSX140361KC</td></tr> <tr><td>M18 - GSX140371KA</td></tr> <tr><td>M19 - GSX140371KB</td></tr> <tr><td>M20 - GSX140371KC</td></tr> <tr><td>M21 - GSX140421KA</td></tr> <tr><td>M22 - GSX140421KB</td></tr> <tr><td>M23 - GSX140421KC</td></tr> <tr><td>M24 - GSX140431KA</td></tr> <tr><td>M25 - GSX140431KB</td></tr> <tr><td>M26 - GSX140431KC</td></tr> <tr><td>M27 - GSX140481KA</td></tr> <tr><td>M28 - GSX140481KB</td></tr> <tr><td>M29 - GSX140601KA</td></tr> <tr><td>M30 - GSX140601KB</td></tr> </table>		M1 - GSX140181KA	M2 - GSX140181LA	M3 - GSX140191KA	M4 - GSX140191KB	M5 - GSX140241KA	M6 - GSX140241KB	M7 - GSX140241LA	M8 - GSX140241LB	M9 - GSX140251KA	M10 - GSX140251LA	M11 - GSX140301KA	M12 - GSX140301KB	M13 - GSX140311KA	M14 - GSX140311KB	M15 - GSX140361KA	M16 - GSX140361KB	M17 - GSX140361KC	M18 - GSX140371KA	M19 - GSX140371KB	M20 - GSX140371KC	M21 - GSX140421KA	M22 - GSX140421KB	M23 - GSX140421KC	M24 - GSX140431KA	M25 - GSX140431KB	M26 - GSX140431KC	M27 - GSX140481KA	M28 - GSX140481KB	M29 - GSX140601KA	M30 - GSX140601KB
M1 - GSX140181KA																																	
M2 - GSX140181LA																																	
M3 - GSX140191KA																																	
M4 - GSX140191KB																																	
M5 - GSX140241KA																																	
M6 - GSX140241KB																																	
M7 - GSX140241LA																																	
M8 - GSX140241LB																																	
M9 - GSX140251KA																																	
M10 - GSX140251LA																																	
M11 - GSX140301KA																																	
M12 - GSX140301KB																																	
M13 - GSX140311KA																																	
M14 - GSX140311KB																																	
M15 - GSX140361KA																																	
M16 - GSX140361KB																																	
M17 - GSX140361KC																																	
M18 - GSX140371KA																																	
M19 - GSX140371KB																																	
M20 - GSX140371KC																																	
M21 - GSX140421KA																																	
M22 - GSX140421KB																																	
M23 - GSX140421KC																																	
M24 - GSX140431KA																																	
M25 - GSX140431KB																																	
M26 - GSX140431KC																																	
M27 - GSX140481KA																																	
M28 - GSX140481KB																																	
M29 - GSX140601KA																																	
M30 - GSX140601KB																																	
51	0150M00001P FAN BLADE 20 INCH (M8)																																
51	0150M00012 FAN BLADE 20" CCW (M1, M2, M3, M4, M5, M6, M7, M9, M10)																																
51	0150M00008 FAN BLADE 22" TNT2203-25 (M13, M14, M15, M16, M17, M18, M19, M20)																																
51	10625738 FAN BLADE 26" ALUM CCW (M27, M28, M29, M30)																																
51	B1086764 FAN BLADE TYPE 2 (M11, M12, M21, M22, M23, M24, M25, M26)																																
61	0161L00000 VENTURI RING 22" (M13, M14, M18, M19, M20, M21, M22, M23, M24, M25, M26)																																
61	0161R00007P VENTURI RING 35" (M27, M28)																																
81	0201R00230 TUBING ASSY, COND COIL (M11, M12)																																
81	0201R00279 TUBING ASSY, COND COIL (M15, M16, M17)																																
81	0201R00296 TUBING ASSY, COND COIL (M13, M14, M18, M19, M20)																																
81	0201R00385 TUBING ASSY, COND COIL (M27, M28)																																
81	0201R00433 TUBING ASSY, COND COIL (M29, M30)																																
81	0201R00458 TUBING ASSY, COND COIL (M1, M2, M3, M4, M5, M6, M7, M8, M9)																																
81	0201R00566 TUBING ASSY, COND COIL (M21, M22, M23, M24, M25, M26)																																
81	0201R00666 TUBING ASSY, COND COIL (M10)																																
111	0121R00228PDGB LOUVERED SIDE PANEL [LT OF CNTL PNL] (M27, M28)																																
111	0121R00229PDGB LOUVERED SIDE PANEL [LT OF CNTL PNL] (M29, M30)																																
121	0121R00231PDGB LOUVERED SIDE PANEL (M27, M28)																																
121	0121R00232PDGB LOUVERED SIDE PANEL (M29, M30)																																
131	0121R00234PDG LOUVERED SIDE PANEL [RT OF CNTL PNL] (M27, M28)																																
131	0121R00235PDG LOUVERED SIDE PANEL [RT OF CNTL PNL] (M29, M30)																																
141	0161R00001P CONDUIT (M1, M2, M3, M4, M5, M6, M7, M8, M9, M10)																																
141	0161R00002P CONDUIT (M13, M14, M18, M19, M20, M21, M22, M23, M24, M25, M26)																																
141	0161R00003P CONDUIT (M11, M12, M15, M16, M17)																																
141	0161R00004P CONDUIT (M27, M28)																																
141	0161R00005P CONDUIT (M29, M30)																																
NS	0161R00009P NAMEPLATE																																
NS	0163M00005P WASHER, BLACK (.50 OD .218ID) (QTY 4)																																
Image 2:																																	
112	0121R00347PDG LOUVER POST, PDG 23.73 (M1, M2, M3, M4, M5, M6, M7, M8, M9)																																
112	0121R00350PDG Louver Post, PDG 28.73 (M10, M11, M12, M13, M14, M15, M16, M17, M18, M19, M20)																																
112	0121R00352PDG Louver Post, PDG 32.51 (M21, M22, M23, M24, M25, M26)																																
122	0121R00336PDGLS Louver Panel, PDG 26" _23.73 (M1, M2, M3, M4, M5, M6, M7, M8, M9)																																

Control Box



Control Box

Ref. Part No: No:	Description:	Ref. Part No: No:	Description:
<i>Image 1:</i>		Expanded Model Nomenclature	
11	0121R00316PDG	PANEL, LOWER ACCESS PNT (M29, M30)	M1 - GSX140181KA
11	0121R00319PDG	PANEL, LOWER ACCESS PNT (M21, M22, M23, M24, M25, M26, M27, M28)	M2 - GSX140181LA
11	0121R00326PDG	PANEL, LOWER ACCESS PNT (M1, M2, M3, M4, M5, M6, M7, M8, M9)	M3 - GSX140191KA
11	0121R00663PDG	PANEL, LOWER ACCESS PNT (M10, M11, M12, M13, M14, M15, M16, M17, M18, M19, M20)	M4 - GSX140191KB
21	0121R00053PDG	CONTROL COVER	M5 - GSX140241KA
71	CONT1P025024V	CONTACTOR 25 AMP, 1P, 24V (M1, M2, M3, M4, M5, M6, M7, M8, M9, M10, M11, M12, M13, M14, M15, M16, M17, M18, M19, M20, M21, M22, M23, M24, M25, M26)	M6 - GSX140241KB
71	CONT1P030024V	CONTACTOR 30 AMP, 1P, 24V (M27, M28, M29, M30)	M7 - GSX140241LA
81	CAP050300440CS	CAP.5/30MFD/440V/DUAL RD (M1, M3, M4)	M8 - GSX140241LB
81	CAP050350440CS	CAPACITOR 5/35/440V (M2, M5, M6, M9, M10)	M9 - GSX140251KA
81	CAP050400440CT	CAPACITOR 5/40/440V/DUAL RD (M11, M12, M13, M14)	M10 - GSX140251LA
81	CAP050450440CT	CAPACITOR 5/45/440V/DUAL RD (M7, M8, M15, M16, M17, M18, M19, M20, M21, M22, M23, M24, M25, M26, M27, M28)	M11 - GSX140301KA
81	CAP050700440CT	CAPACITOR 5/70/440V/DUAL RD (M29, M30)	M12 - GSX140301KB
91	4400065	CAPACITOR STRAP	M13 - GSX140311KA
101	CSR-U-1	HARD START KIT (M3)	M14 - GSX140311KB
			M15 - GSX140361KA
			M16 - GSX140361KB
			M17 - GSX140361KC
			M18 - GSX140371KA
			M19 - GSX140371KB
			M20 - GSX140371KC
			M21 - GSX140421KA
			M22 - GSX140421KB
			M23 - GSX140421KC
			M24 - GSX140431KA
			M25 - GSX140431KB
			M26 - GSX140431KC
			M27 - GSX140481KA
			M28 - GSX140481KB
			M29 - GSX140601KA
			M30 - GSX140601KB

Tubing & Compressor Assy

Image 1

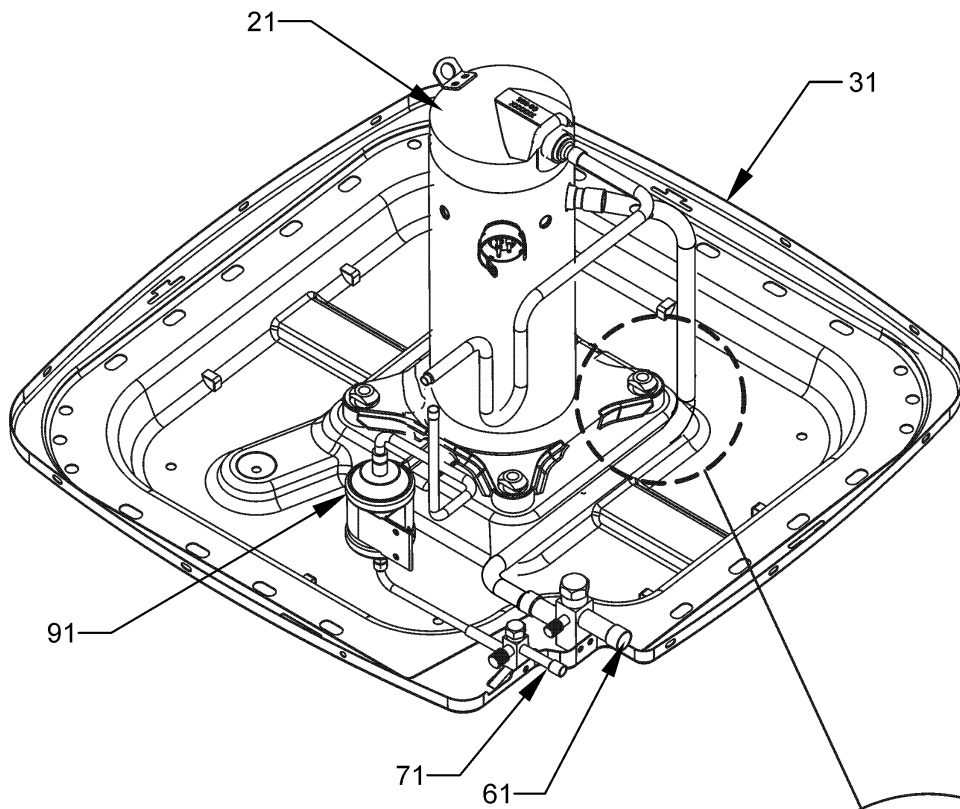
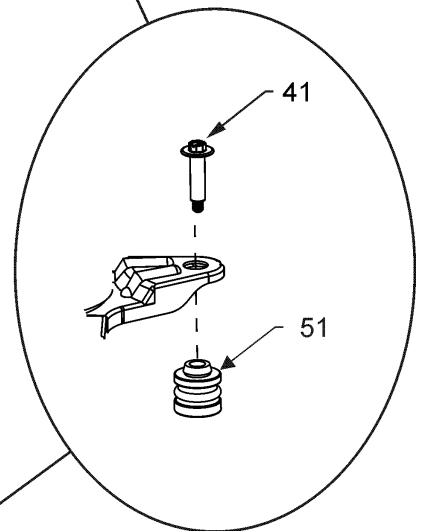
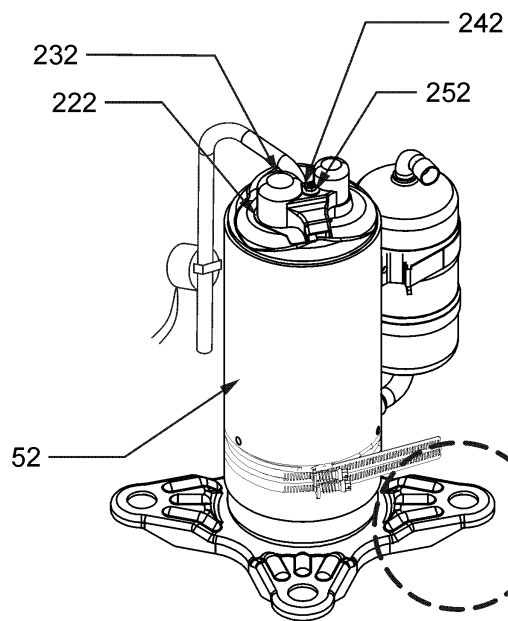


Image 2



Tubing & Compressor Assy

Ref. Part
No: No:

Description:

Ref. Part
No: No:

Description:

Image 1:

21	ZP14K6EPFV130	COMP, 14,000,208/230/60/1 (M3, M4)
21	ZP20K6EPFV130	COMP, 20,000,208/230/60/1 (M5, M6, M9)
21	ZP24K6EPFV130	COMP, 24,000,208/230/60/1 (M13, M14)
21	ZP29K6EPFV130	COMP, 29,000,208/230/60/1 (M18, M19, M20)
21	ZP24K5EPFV130	COMP,24000,208/230/60/1 (M11, M12)
21	ZP29K5EPFV130	COMP,29000,208/230/60/1 (M15, M16, M17)
21	ZP49K5EPFV130	COMP,49400,208/230/60/1 (M29, M30)
21	ZP16K5EPFV130	COMPRESSOR 15500, 208/230/60/1 (M1)
21	ZP20K5EPFV130	COMPRESSOR 20000, 208/230/60/1 (M10)
21	ZP31K5EPFV130	COMPRESSOR 31100, 208/230/60/1 (M21, M22, M23, M24, M25, M26)
21	ZP38K5EPFV130	COMPRESSOR 37500, 208/230/60/1 (M27, M28)
31	0121R00005PDG	BASE PAN 26" (M1, M2, M3, M4, M5, M6, M7, M8, M9, M10)
31	0121R00006PDG	BASE PAN 29" (M11, M12, M13, M14, M15, M16, M17, M18, M19, M20, M21, M22, M23, M24, M25, M26)
31	0121R00007PDG	BASE PAN 35" (M27, M28, M29, M30)
41	0163M00186	TF SHOULDER SCREW (M2, M7, M8)
41	M0221641	TF SHOULDER SCREW (M1, M3, M4, M5, M6, M9, M10, M11, M12, M13, M14, M15, M16, M17, M18, M19, M20, M21, M22, M23, M24, M25, M26, M27, M28, M29, M30)
51	B1339533	COMPRESSOR GROMMET (M1, M3, M4, M5, M6, M9, M10, M11, M12, M13, M14, M15, M16, M17, M18, M19, M20, M21, M22, M23, M24, M25, M26, M27, M28, M29, M30)
61	0151R00079	BASE VALVE 3/4" (M1, M2, M3, M4, M5, M6, M7, M8, M9, M10, M11, M12, M13, M14, M15, M16, M17, M18, M19, M20)
61	0151R00080	BASE VALVE 7/8" (M21, M22, M23, M24, M25, M26, M27, M28, M29, M30)
71	0151R00078	BASE VALVE 3/8"
91	0162R00009	FILTER DRIER
NS	0159R00000P	COMPRESSOR SCROLL HARNESS (M1, M3, M4, M5, M6, M9, M10, M18, M19, M20)
NS	0159R00001P	COMPRESSOR SCROLL HARNESS (M11, M12, M13, M14, M15, M16, M17, M21, M22, M23, M24, M25, M26)
NS	0159R00002P	COMPRESSOR SCROLL HARNESS (M27, M28, M29, M30)
NS	B1789851	FLOW CHECK PISTON KIT .051 (M2)
NS	B1789852	FLOW CHECK PISTON KIT .052 (M1)
NS	B1789853	FLOW CHECK PISTON KIT .053 (M3, M4)
NS	B1789857	FLOW CHECK PISTON KIT .057 (M5, M6, M7, M8, M9, M10)
NS	B1789863	FLOW CHECK PISTON KIT .063 (M13, M14)
NS	B1789865	FLOW CHECK PISTON KIT .065 (M11, M12)
NS	B1789868	FLOW CHECK PISTON KIT .068 (M15, M16, M17)
NS	B1789871	FLOW CHECK PISTON KIT .071 (M18, M19, M20)
NS	B1789874	FLOW CHECK PISTON KIT .074 (M21, M22, M23, M24, M25, M26)
NS	B1789878	FLOW CHECK PISTON KIT .078 (M27, M28)
NS	B1789888	FLOW CHECK PISTON KIT .088 (M29, M30)

Image 2:

52	50N382XV-ZAKM	1.5TONRECHI COMPR.4 LEGS (M2)
52	50N492ZV-ZAKM	2.0TONRECHI COMPR.4 LEGS (M7, M8)
222	60100107	TERMINAL COVER GASKET (M2, M7, M8)
232	60100317	TERMINAL COVER (M2, M7, M8)
242	60100401	TERMINAL NUT - RECHI COMP (M2, M7, M8)
252	60100201	WASHER - RECHI COMPRESSOR (M2, M7, M8)
NS	60140209	GROMMET - RECHI COMPRESSOR (M2, M7, M8)

Expanded Model Nomenclature

M1 - GSX140181KA
M2 - GSX140181LA
M3 - GSX140191KA
M4 - GSX140191KB
M5 - GSX140241KA
M6 - GSX140241KB
M7 - GSX140241LA
M8 - GSX140241LB
M9 - GSX140251KA
M10 - GSX140251LA
M11 - GSX140301KA
M12 - GSX140301KB
M13 - GSX140311KA
M14 - GSX140311KB
M15 - GSX140361KA
M16 - GSX140361KB
M17 - GSX140361KC
M18 - GSX140371KA
M19 - GSX140371KB
M20 - GSX140371KC
M21 - GSX140421KA
M22 - GSX140421KB
M23 - GSX140421KC
M24 - GSX140431KA
M25 - GSX140431KB
M26 - GSX140431KC
M27 - GSX140481KA
M28 - GSX140481KB
M29 - GSX140601KA
M30 - GSX140601KB