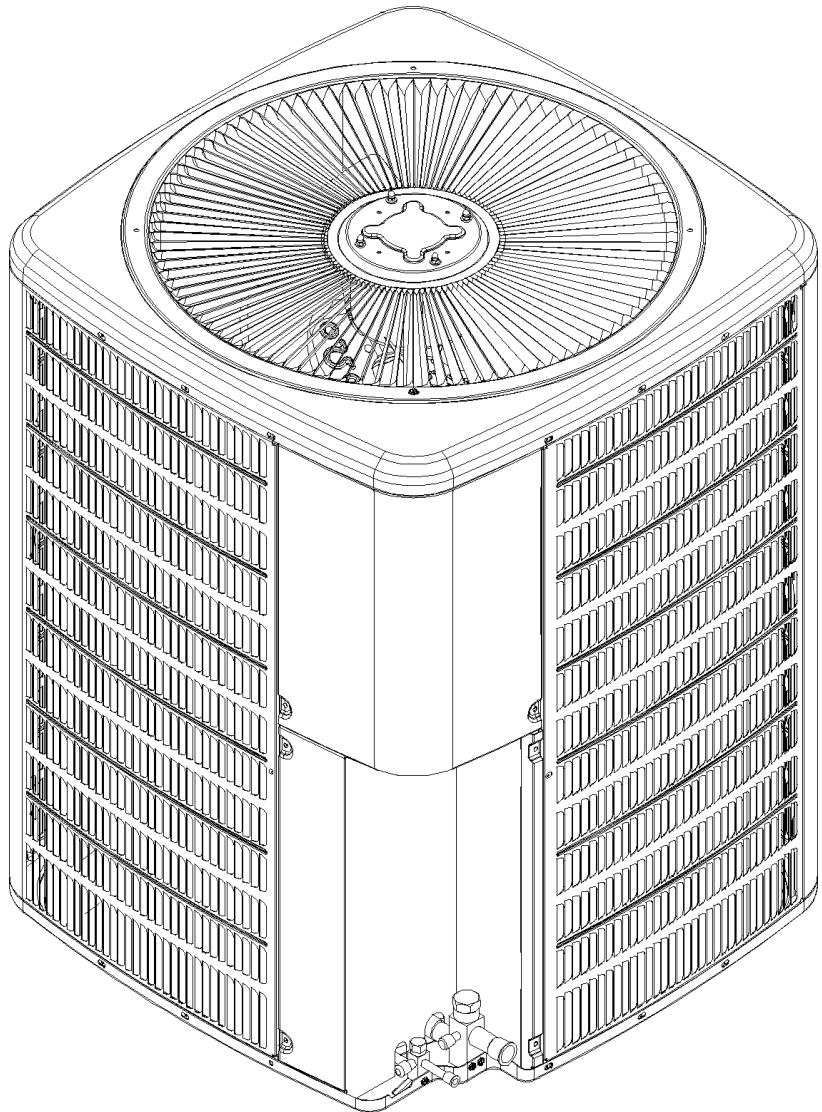


GSH13 Remote Heat Pump Unit (1-Phase & 3-Phase)

GSH130181CC
GSH130181CD
GSH130181CE
GSH130241CC
GSH130241CD
GSH130241CE
GSH130301CC
GSH130301CE
GSH130361CD
GSH130361CE
GSH130363AG
GSH130363AH
GSH130363AJ
GSH130421BB
GSH130421BC
GSH130481BB
GSH130481BC
GSH130483BB
GSH130483BC
GSH130483BD
GSH130484AE
GSH130484AF
GSH130484AG
GSH130601AD
GSH130603AD
GSH130603AE
GSH130604AD
GSH130604AE



This manual is to be used by qualified technicians only.

This manual replaces RP-776B.

© 2013-2014, 2016 Goodman Manufacturing Company, L.P. ♦ 5151 San Felipe St., Suite 500 ♦ Houston, TX 77056

Important Information

Index

Functional Parts List	3
Illustration and Parts	4 - 9

Views shown are for parts illustrations only, not servicing procedures

Text Codes:

AR - As Required

NA - Not Available

NS - Not Shown

00000000 - See Note

QTY - Quantity Example (QTY 3) (If Quantity not shown, Quantity = 1)

M - Model Example (M1) (If M Code not shown, then part is used on all Models)

Expanded Model Nomenclature:

Example M1 - Model#1 M2 - Model#2 M3 - Model#3

Goodman Manufacturing Company, L.P. is not responsible for personal injury or property damage resulting from improper service. Review all service information before beginning repairs.

Warranty service must be performed by an authorized technician, using authorized factory parts. If service is required after the warranty expires, Goodman Manufacturing Company, L.P. also recommends contacting an authorized technician and using authorized factory parts.

Goodman Manufacturing Company, L.P. reserves the right to discontinue, or change at any time, specifications or designs without notice or without incurring obligations.

For assistance within the U.S.A. contact:
Consumer Affairs Department
Goodman Manufacturing Company, L.P.
7401 Security Way
Houston, Texas 77040
877-254-4729-Telephone
713-863-2382-Facsimile

For assistance outside the U.S.A. contact:
International Division
Goodman Manufacturing Company, L.P.
7401 Security Way
Houston, Texas 77040
713-861-2500-Telephone
713-863-2382-Facsimile

Functional Parts

Part

No: Description:

0151R00079	BASE VALVE 3/4" (M1, M2, M3, M4, M5, M6, M7, M8)	0150M00033	FAN BLADE, 20", 3 BLADE, 24DEG (M4, M5, M6, M7, M8)
0151R00078	BASE VALVE 3/8"	0150M00022	FAN BLADE, 22" (M14, M15)
0151R00080	BASE VALVE 7/8" (M9, M10, M11, M12, M13, M14, M15, M16, M17, M18, M19, M20, M21, M22, M23, M24, M25, M26, M27, M28)	0163R00004	HEATER CRANKCASE, 460V, 40W (M21, M22, M23)
CAP050550440CT	CAP, 5/55 MFD/440V/DUAL RD (M14, M15, M16, M17)	0163R00007	HEATER, CRANKCASE 230V, 40W (M14, M15, M16, M17, M18, M19, M20)
CAP050300440CS	CAP, 5/30MFD/440V/DUAL RD (M1, M2, M3)	0131M00022	MOTOR 1/4 HP, 8 PL, 460V (M21, M22, M23)
CAP050350440CS	CAPACITOR 5/35/440V (M4, M5, M6)	0151M00020	REVERSING VALVE (M9, M11, M16, M18, M21, M24, M25, M26, M27, M28)
CAP050000370LA	CAPACITOR 5/370V (M11, M12, M13, M18, M19, M20, M21, M22, M23, M25, M26, M27, M28)	0151R00071	REVERSING VALVE (M15)
CAP050400440CT	CAPACITOR 5/40/440V/DUAL RD (M7, M8)	0151R00070	REVERSING VALVE (M10, M12, M13, M17, M19, M20, M22, M23)
CAP050450440CT	CAPACITOR 5/45/440V/DUAL RD (M9, M10)	0151R00069	REVERSING VALVE (M8)
CAP050800440RT	CAPACITOR 5/80/440V (M24)	0151R00068	REVERSING VALVE (M2, M3, M5, M6)
ZR25K5EPFV130	COMP, 25300, 208/230/60/1 (M8)	0151M00021	REVERSING VALVE (M14)
ZR25K5PFV130	COMP, 25300, 208/230/60/1 (M7)	0151M00018	REVERSING VALVE (M1, M4)
ZR38K5PFV130	COMP, 38000, 208/230/60/1 (M14)	0151M00019	REVERSING VALVE (M7)
ZR42K5PFV130	COMP, 42200, 208/230/60/1 (M16)	B1225022	SOLENOID COIL
ZR16K5PFV130	COMP, 15500, 208/230/60/1 (M1, M2)	0130R00058	SW-CUTOUT LOW PRESS
ZR16K5EPFV130	COMP, 15500, 208/230/60/1 (M3)		
ZR21K5EPFV130	COMP, 21000, 208/230/60/1 (M6)		
ZR21K5PFV130	COMP, 21000, 208/230/60/1 (M4, M5)		
ZR28K5ETF5130	COMP, 28400, 200/230/60/3 (M12, M13)		
ZR28K5TF5130	COMP, 28400, 200/230/60/3 (M11)		
ZR28K5PFV130	COMP, 28500, 208/230/60/1 (M9)		
ZR38K5EPFV130	COMP, 38000, 208/230/60/1 (M15)		
ZR52K3EPFV230	COMP, 5200, 208/230/60/1 (M24)		
ZR54K3ETF5230	COMP, 54200, 200/230/60/3 (M25, M26)		
ZR54K3ETFD230	COMP, 54500, 460/60/3 (M27, M28)		
ZR42K5TF5130	COMPRESSOR 42200, 200/230/60/3 (M18)		
ZR42K5TFD130	COMPRESSOR 42200, 460/60/3 (M21)		
ZR42K5ETFD130	COMPRESSOR 42200, 460/60/3 (M22, M23)		
ZR42K5EPFV130	COMPRESSOR, 42200, 208/230/60/1 (M17)		
ZR28K5EPFV130	COMPRESSOR, 28500, 208/230/60/1 (M10)		
ZR42K5ETF5130	COMPRESSOR 42200, 200/230/60/3 (M19, M20)		
0131M00018P	COND MOTOR 1/4 HP, 1 SP, 6 PL (M9, M10, M11, M12, M13, M14, M15, M16, M17)		
0131M00061	COND MOTOR 1/4 HP, 1 SP, 8 PL (M18, M19, M20)		
0131M00012P	COND MOTOR 1/6 HP, 1 SP, 8 PL (M24, M25, M26)		
0131M00023S	COND MOTOR 1/6 HP, 8 PL, 460V (M27, M28)		
0131M00294	COND MOTOR, 1/8HP, ISP, 6PL (M1, M2, M3, M4, M5, M6, M7, M8)		
CONT1P025024V	CONTACTOR 25 AMP, 1P, 24V (M1, M2, M3, M4, M5, M6, M7, M8)		
CONT3P025024V	CONTACTOR 25 AMP, 3P, 24V (M11, M12, M13, M18, M19, M20, M21, M22, M23, M25, M26, M27, M28)		
CONT1P030024V	CONTACTOR 30 AMP, 1P, 24V (M9, M10, M14, M15, M16, M17)		
CONT2P040024V	CONTACTOR 40 AMP, 2P, 24V (M24)		
0130M00105	CONTROL, DEFROST		
PCBDM101	DEFROST CONTROL BOARD		
0150M00008	FAN BLADE 22" TNT2203-25 (M21, M22, M23)		
B1086750	FAN BLADE 22", 3 BLADE, 24° (M9, M10, M11, M12, M13, M16, M17)		
10625738	FAN BLADE 26" ALUM CCW (M24, M25, M26, M27, M28)		
B1086765	FAN BLADE TYPE 3 (M18, M19, M20)		
0150M00031	FAN BLADE, 20", 3 BLADE, 21DEG (M1, M2, M3)		

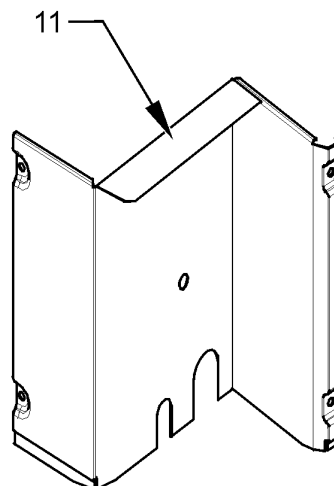
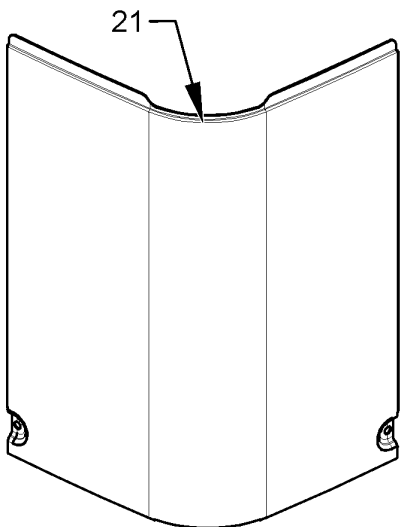
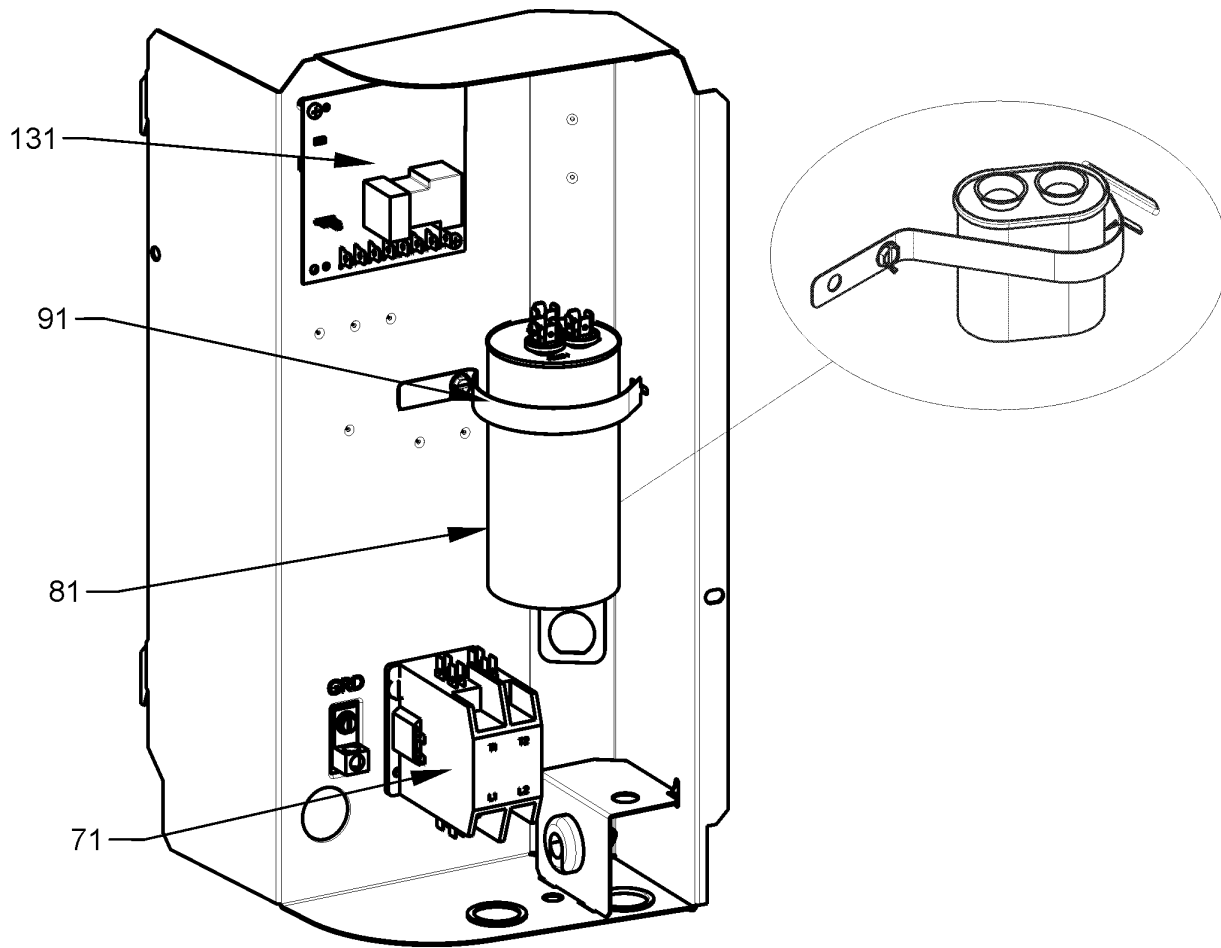
SPECIAL PARTS

0161R00009P NAMEPLATE

Expanded Model Nomenclature

M1 - GSH130181CC
M2 - GSH130181CD
M3 - GSH130181CE
M4 - GSH130241CC
M5 - GSH130241CD
M6 - GSH130241CE
M7 - GSH130301CC
M8 - GSH130301CE
M9 - GSH130361CD
M10 - GSH130361CE
M11 - GSH130363AG
M12 - GSH130363AH
M13 - GSH130363AJ
M14 - GSH130421BB
M15 - GSH130421BC
M16 - GSH130481BB
M17 - GSH130481BC
M18 - GSH130483BB
M19 - GSH130483BC
M20 - GSH130483BD
M21 - GSH130484AE
M22 - GSH130484AF
M23 - GSH130484AG
M24 - GSH130601AD
M25 - GSH130603AD
M26 - GSH130603AE
M27 - GSH130604AD
M28 - GSH130604AE

Control Cover/Control Box



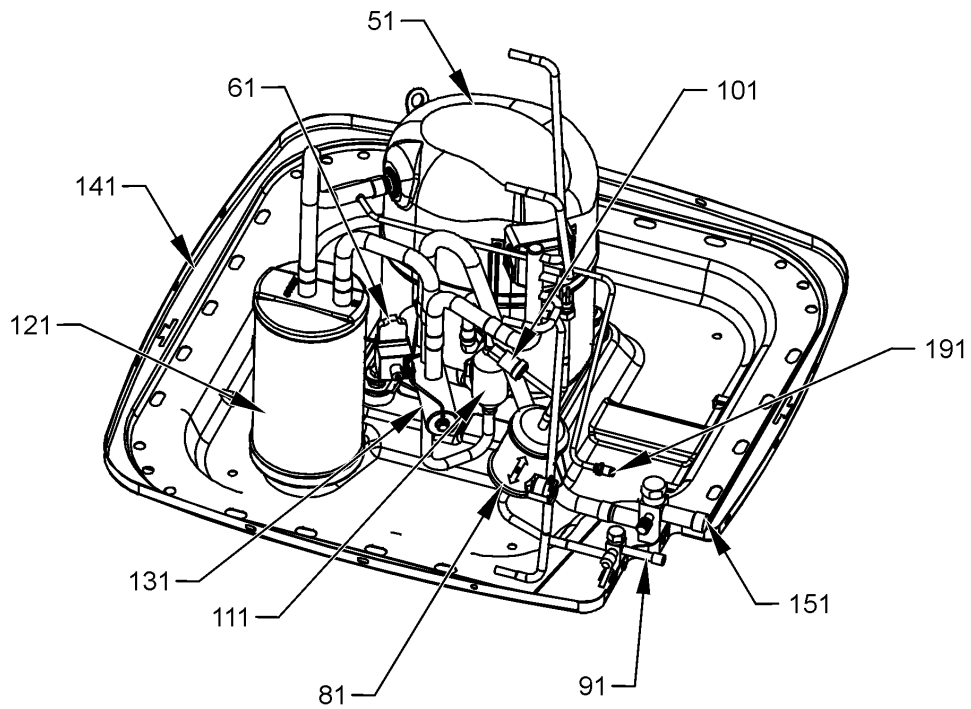
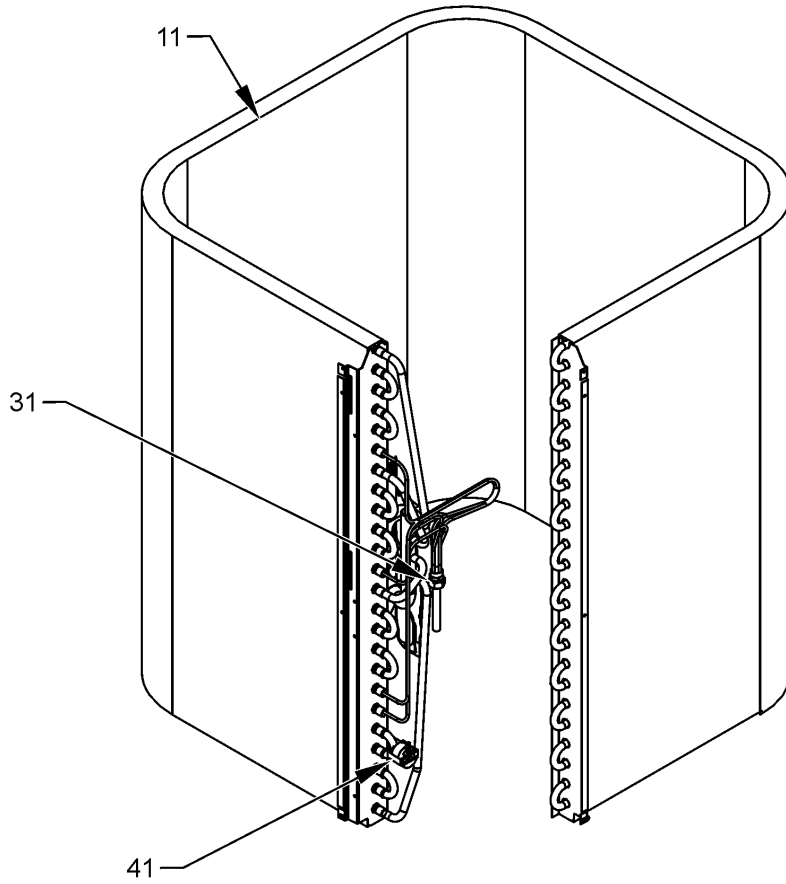
Control Cover/Control Box

Ref. Part No:	Ref. Part No:	Description:	Description:
Image 1:			
11	0121R00663PDG	LOWER ACCESS PANEL (M1, M2, M3, M4, M5, M6, M14, M15)	
11	0121R00318PDG	PANEL, LOWER ACCESS PNT (M9, M10, M11, M12, M13)	
11	0121R00321PDG	PANEL, LOWER ACCESS PNT (M7, M8, M16, M17, M18, M19, M20, M21, M22, M23, M24, M25, M26, M27, M28)	
21	0121R00053PDG	CONTROL COVER	
71	CONT1P025024V	CONTACTOR 25 AMP, 1P, 24V (M1, M2, M3, M4, M5, M6, M7, M8)	
71	CONT3P025024V	CONTACTOR 25 AMP, 3P, 24V (M11, M12, M13, M18, M19, M20, M21, M22, M23, M25, M26, M27, M28)	
71	CONT1P030024V	CONTACTOR 30 AMP, 1P, 24V (M9, M10, M14, M15, M16, M17)	
71	CONT2P040024V	CONTACTOR 40 AMP, 2P, 24V (M24)	
81	CAP050550440CT	CAP, 5/55 MFD/440V/DUAL RD (M14, M15, M16, M17)	
81	CAP050300440CS	CAP, 5/30MFD/440V/DUAL RD (M1, M2, M3)	
81	CAP050350440CS	CAPACITOR 5/35/440V (M4, M5, M6)	
81	CAP050000370LA	CAPACITOR 5/370V (M11, M12, M13, M18, M19, M20, M21, M22, M23, M25, M26, M27, M28)	
81	CAP050400440CT	CAPACITOR 5/40/440V/DUAL RD (M7, M8)	
81	CAP050450440CT	CAPACITOR 5/45/440V/DUAL RD (M9, M10)	
81	CAP050800440RT	CAPACITOR 5/80/440V (M24)	
91	4400065	CAPACITOR STRAP	
131	PCBDM101	DEFROST CONTROL BOARD	

Expanded Model Nomenclature

M1 - GSH130181CC
M2 - GSH130181CD
M3 - GSH130181CE
M4 - GSH130241CC
M5 - GSH130241CD
M6 - GSH130241CE
M7 - GSH130301CC
M8 - GSH130301CE
M9 - GSH130361CD
M10 - GSH130361CE
M11 - GSH130363AG
M12 - GSH130363AH
M13 - GSH130363AJ
M14 - GSH130421BB
M15 - GSH130421BC
M16 - GSH130481BB
M17 - GSH130481BC
M18 - GSH130483BB
M19 - GSH130483BC
M20 - GSH130483BD
M21 - GSH130484AE
M22 - GSH130484AF
M23 - GSH130484AG
M24 - GSH130601AD
M25 - GSH130603AD
M26 - GSH130603AE
M27 - GSH130604AD
M28 - GSH130604AE

Basepan/Tubing Assembly



Basepan/Tubing Assembly

Ref. Part No:	Description:	Ref. Part No:	Description:
Image 1:		Image 1:	
11	0201R00014P TUBING ASSY, COND COIL (M24)	131	0151R00070 REVERSING VALVE (M10, M12, M13, M17, M19, M20, M22, M23)
11	0201R00053 TUBING ASSY, COND COIL (M25, M26, M27, M28)	131	0151R00071 REVERSING VALVE (M15)
11	0201R00068 TUBING ASSY, COND COIL (M16, M17, M18, M19, M20, M21, M22, M23)	141	0121R00005PDG BASE PAN 26" (M1, M2, M3, M4, M5, M6, M7, M8)
11	0201R00070 TUBING ASSY, COND COIL (M14, M15)	141	0121R00006PDG BASE PAN 29" (M9, M10, M11, M12, M13, M14, M15, M16, M17, M18, M19, M20, M21, M22, M23)
11	0201R00196 TUBING ASSY, COND COIL (M7, M8)	141	0121R00007PDG BASE PAN 35" (M24, M25, M26, M27, M28)
11	0201R00207 TUBING ASSY, COND COIL (M1, M2, M3)	151	0151R00079 BASE VALVE 3/4" (M1, M2, M3, M4, M5, M6, M7, M8)
11	0201R00210 TUBING ASSY, COND COIL (M4, M5, M6)	151	0151R00080 BASE VALVE 7/8" (M9, M10, M11, M12, M13, M14, M15, M16, M17, M18, M19, M20, M21, M22, M23, M24, M25, M26, M27, M28)
11	0201R00425 TUBING ASSY, COND COIL (M9, M10, M11, M12, M13)	191	B1787000 VALVE CORE
31	B1789855 FLOW CHECK PISTON KIT .055 (M1, M2, M3)	NS	B1339533 COMPRESSOR GROMMET (QTY 4)
31	B1789861 FLOW CHECK PISTON KIT .061 (M4, M5, M6)	NS	0159R00000P COMPRESSOR SCROLL HARNESS (M1, M2, M3, M4, M5, M6, M7, M8)
31	B1789870 FLOW CHECK PISTON KIT .070 (M7, M8)	NS	0159R00001P COMPRESSOR SCROLL HARNESS (M9, M10, M14, M15, M16, M17)
31	B1789871 FLOW CHECK PISTON KIT .071 (M9, M10, M11, M12, M13)	NS	0159R00008 COMPRESSOR SCROLL HARNESS (M18, M19, M20, M21, M22, M23)
31	B1789880 FLOW CHECK PISTON KIT .080 (M14, M15)	NS	0159R00009 COMPRESSOR SCROLL HARNESS (M11, M12, M13)
31	B1789884 FLOW CHECK PISTON KIT .084 (M16, M17, M18, M19, M20, M21, M22, M23)	NS	0130M00106 DISC THERMOSTAT(CRNKCS HTR SW) (M14, M15, M16, M17, M18, M19, M20, M21, M22, M23)
31	B1789893 FLOW CHECK PISTON KIT .093 (M24, M25, M26, M27, M28)	NS	0163R00004 HEATER CRANKCASE, 460V, 40W (M21, M22, M23)
41	0130M00105 CONTROL, DEFROST	NS	0163R00007 HEATER, CRANKCASE 230V, 40W (M14, M15, M16, M17, M18, M19, M20)
51	ZR25K5EPFV130 COMP, 25300, 208/230/60/1 (M8)	NS	0161R00009P NAMEPLATE
51	ZR25K5PFV130 COMP, 25300, 208/230/60/1 (M7)	NS	B1225022 SOLENOID COIL
51	ZR38K5PFV130 COMP, 38000, 208/230/60/1 (M14)	Expanded Model Nomenclature	
51	ZR42K5PFV130 COMP, 42200, 208/230/60/1 (M16)	M1 - GSH130181CC	
51	ZR16K5EPFV130 COMP, 15500, 208/230/60/1 (M3)	M2 - GSH130181CD	
51	ZR16K5PFV130 COMP, 15500, 208/230/60/1 (M1, M2)	M3 - GSH130181CE	
51	ZR21K5EPFV130 COMP, 21000, 208/230/60/1 (M6)	M4 - GSH130241CC	
51	ZR21K5PFV130 COMP, 21000, 208/230/60/1 (M4, M5)	M5 - GSH130241CD	
51	ZR28K5ETF5130 COMP, 28400, 200/230/60/3 (M12, M13)	M6 - GSH130241CE	
51	ZR28K5TF5130 COMP, 28400, 200/230/60/3 (M11)	M7 - GSH130301CC	
51	ZR28K5PFV130 COMP, 28500, 208/230/60/1 (M9)	M8 - GSH130301CE	
51	ZR38K5EPFV130 COMP, 38000, 208/230/60/1 (M15)	M9 - GSH130361CD	
51	ZR52K3EPFV230 COMP, 5200, 208/230/60/1 (M24)	M10 - GSH130361CE	
51	ZR54K3ETF5230 COMP, 54200, 200/230/60/3 (M25, M26)	M11 - GSH130363AG	
51	ZR54K3ETFD230 COMP, 54500, 460/60/3 (M27, M28)	M12 - GSH130363AH	
51	ZR42K5TF5130 COMPRESSOR 42200, 200/230/60/3 (M18)	M13 - GSH130363AJ	
51	ZR42K5ETFD130 COMPRESSOR 42200, 460/60/3 (M22, M23)	M14 - GSH130421BB	
51	ZR42K5TFD130 COMPRESSOR 42200, 460/60/3 (M21)	M15 - GSH130421BC	
51	ZR42K5EPFV130 COMPRESSOR, 42200, 208/230/60/1 (M17)	M16 - GSH130481BB	
51	ZR28K5EPFV130 COMPRESSOR, 28500, 208/230/60/1 (M10)	M17 - GSH130481BC	
51	ZR42K5ETF5130 COMPRESSOR 42200, 200/230/60/3 (M19, M20)	M18 - GSH130483BB	
61	B1225020 SOLENOID COIL CORD W/1/4" TERMINAL (M1, M4, M7, M9, M11, M14, M16, M18, M21)	M19 - GSH130483BC	
61	0130M00083 SOLENOID HARNESS W/1/4" TERM (M2, M3, M5, M6, M8, M10, M12, M13, M15, M17, M19, M20, M22, M23, M24, M25, M26, M27, M28)	M20 - GSH130483BD	
81	B1219204 BI-FLOW FILTER DRIER	M21 - GSH130484AE	
91	0151R00078 BASE VALVE 3/8"	M22 - GSH130484AF	
101	0130R00058 SW-CUTOUT LOW PRESS	M23 - GSH130484AG	
111	B1219301 MUFFLER 1/2 X 1/2 (M1, M2, M3, M4, M5, M6, M7, M8, M9, M10, M11, M12, M13)	M24 - GSH130601AD	
121	B1226206 ACCUMULATOR (M1, M2, M3, M4, M5, M6, M7, M8)	M25 - GSH130603AD	
121	B1226207 ACCUMULATOR .875 (M9, M10, M11, M12, M13, M14, M15, M16, M17, M18, M19, M20, M21, M22, M23, M24, M25, M26, M27, M28)	M26 - GSH130603AE	
131	0151M00018 REVERSING VALVE (M1, M4)	M27 - GSH130604AD	
131	0151M00019 REVERSING VALVE (M7)	M28 - GSH130604AE	
131	0151M00020 REVERSING VALVE (M9, M11, M16, M18, M21, M24, M25, M26, M27, M28)		
131	0151M00021 REVERSING VALVE (M14)		
131	0151R00068 REVERSING VALVE (M2, M3, M5, M6)		
131	0151R00069 REVERSING VALVE (M8)		

Cabinet Top/Side Panels

Image 1

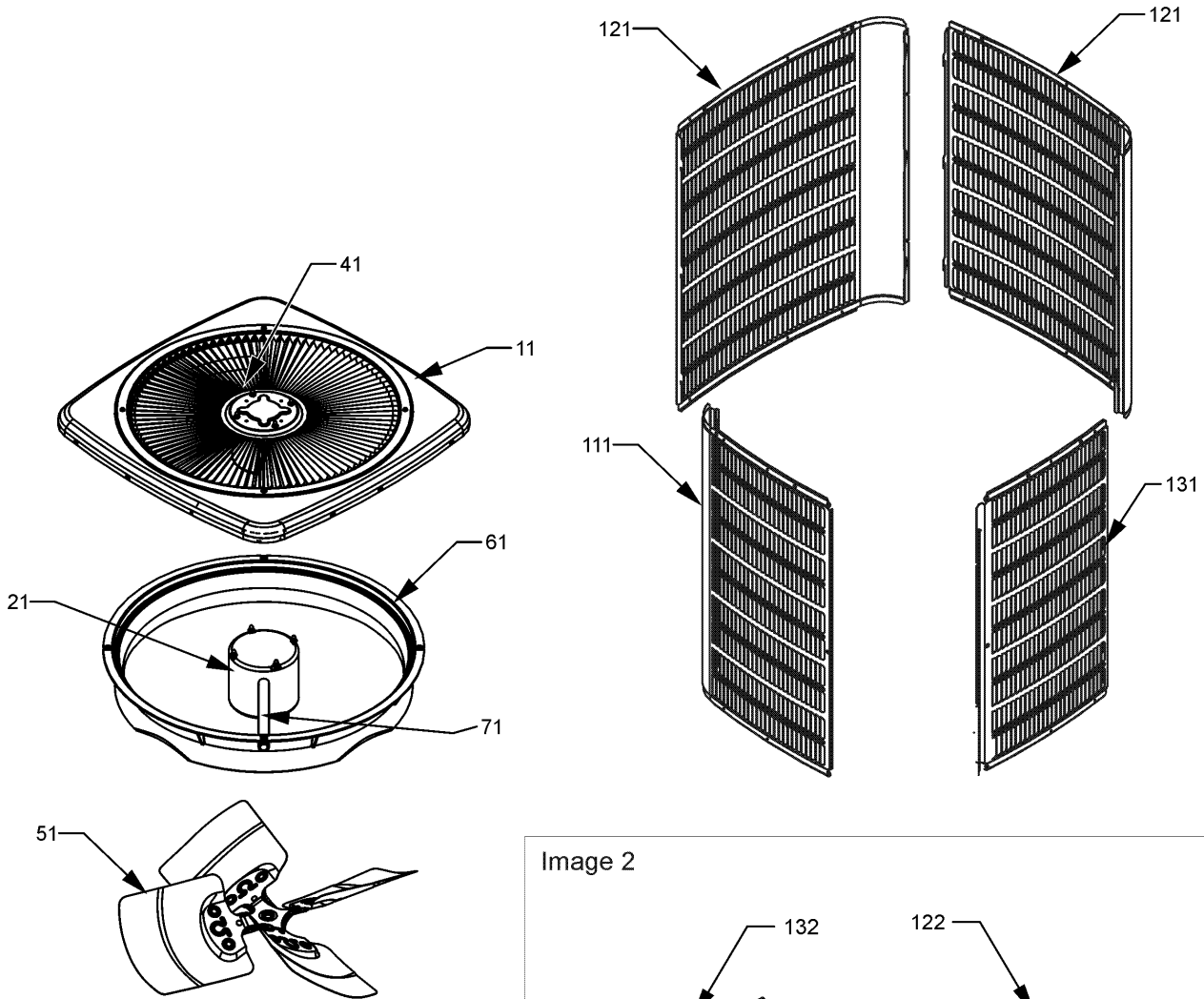
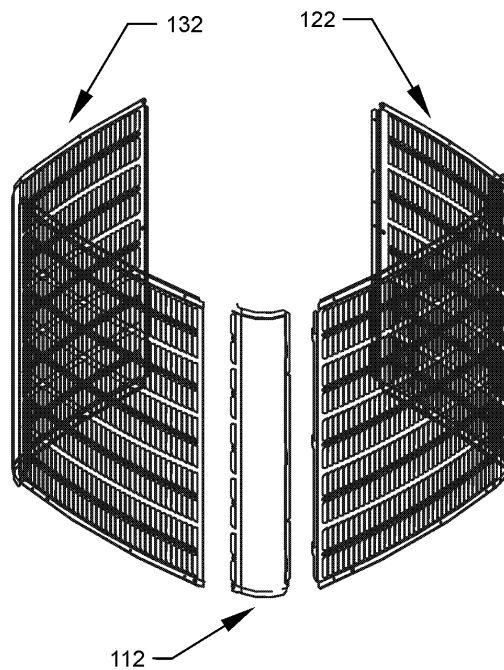


Image 2



Cabinet Top/Side Panels

**Ref. Part
No: No:**

Description:

**Ref. Part
No: No:**

Description:

Image 1:

11	0121R00008PDG	TOP PANEL 26" (M1, M2, M3, M4, M5, M6, M7, M8)
11	0121R00010PDG	TOP PANEL 29" (M9, M10, M11, M12, M13, M14, M15, M16, M17, M18, M19, M20, M21, M22, M23)
11	0121R00269PDG	Top Panel, 35" Pnt (M24, M25, M26, M27, M28)
21	0131M00018P	COND MOTOR 1/4 HP, 1 SP, 6 PL (M9, M10, M11, M12, M13, M14, M15, M16, M17)
21	0131M00061	COND MOTOR 1/4 HP, 1 SP, 8 PL (M18, M19, M20)
21	0131M00012P	COND MOTOR 1/6 HP, 1 SP, 8 PL (M24, M25, M26)
21	0131M00023S	COND MOTOR 1/6 HP, 8 PL, 460V (M27, M28)
21	0131M00294	COND MOTOR, 1/8HP, ISP, 6PL (M1, M2, M3, M4, M5, M6, M7, M8)
21	0131M00022	MOTOR 1/4 HP, 8 PL, 460V (M21, M22, M23)
41	0163M00006P	ACORN NUT 5/16 HEX BLACK (QTY 4)
51	0150M00008	FAN BLADE 22" TNT2203-25 (M21, M22, M23)
51	B1086750	FAN BLADE 22", 3 BLADE, 24° (M9, M10, M11, M12, M13, M16, M17)
51	10625738	FAN BLADE 26" ALUM CCW (M24, M25, M26, M27, M28)
51	B1086765	FAN BLADE TYPE 3 (M18, M19, M20)
51	0150M00031	FAN BLADE, 20", 3 BLADE, 21DEG (M1, M2, M3)
51	0150M00033	FAN BLADE, 20", 3 BLADE, 24DEG (M4, M5, M6, M7, M8)
51	0150M00022	FAN BLADE, 22" (M14, M15)
61	0161L00000	VENTURI RING 22" (M9, M10, M11, M12, M13, M14, M15, M16, M17, M18, M19, M20, M21, M22, M23)
61	0161R00007P	VENTURI RING 35" (M24, M25, M26, M27, M28)
71	0161R00001P	CONDUIT (M1, M2, M3, M4, M5, M6, M7, M8)
71	0161R00002P	CONDUIT (M9, M10, M11, M12, M13, M14, M15, M16, M17, M18, M19, M20, M21, M22, M23)
71	0161R00004P	CONDUIT (M24, M25, M26, M27, M28)
111	0121R00042PDGB	LOUVERED SIDE PANEL [LT OF CNTL PNL] (M24, M25, M26, M27, M28)
121	0121R00046PDGB	LOUVERED SIDE PANEL (M24, M25, M26, M27, M28)
131	0121R00050PDG	LOUVERED SIDE PANEL [RT OF CNTL PNL] (M24, M25, M26, M27, M28)

Expanded Model Nomenclature

M1 - GSH130181CC
M2 - GSH130181CD
M3 - GSH130181CE
M4 - GSH130241CC
M5 - GSH130241CD
M6 - GSH130241CE
M7 - GSH130301CC
M8 - GSH130301CE
M9 - GSH130361CD
M10 - GSH130361CE
M11 - GSH130363AG
M12 - GSH130363AH
M13 - GSH130363AJ
M14 - GSH130421BB
M15 - GSH130421BC
M16 - GSH130481BB
M17 - GSH130481BC
M18 - GSH130483BB
M19 - GSH130483BC
M20 - GSH130483BD
M21 - GSH130484AE
M22 - GSH130484AF
M23 - GSH130484AG
M24 - GSH130601AD
M25 - GSH130603AD
M26 - GSH130603AE
M27 - GSH130604AD
M28 - GSH130604AE

Image 2:

112	0121R00351PDG	LOUVER POST 30.49 (M7, M8, M16, M17, M18, M19, M20, M21, M22, M23)
112	0121R00353PDG	LOUVER POST 34.49 (M9, M10, M11, M12, M13)
112	0121R00349PDG	Louver Post, PDG 28.49 (M1, M2, M3, M4, M5, M6, M14, M15)
122	0121R00338PDGR	Louver Panel, PDG 26" _28.49 (M1, M2, M3, M4, M5, M6)
122	0121R00339PDGR	Louver Panel, PDG 26" _30.49 (M7, M8)
122	0121R00341PDGR	Louver Panel, PDG 29" _28.49 (M14, M15)
122	0121R00343PDGR	Louver Panel, PDG 29" _30.49 (M16, M17, M18, M19, M20, M21, M22, M23)
122	0121R00345PDGR	Louver Panel, PDG 29" _34.49 (M9, M10, M11, M12, M13)
132	0121R00338PDGL	Louver Panel, PDG 26" _28.49 (M1, M2, M3, M4, M5, M6)
132	0121R00339PDGL	Louver Panel, PDG 26" _30.49 (M7, M8)
132	0121R00341PDGL	Louver Panel, PDG 29" _28.49 (M14, M15)
132	0121R00343PDGL	Louver Panel, PDG 29" _30.49 (M16, M17, M18, M19, M20, M21, M22, M23)
132	0121R00345PDGL	Louver Panel, PDG 29" _34.49 (M9, M10, M11, M12, M13)