

CONDENSING UNIT

SINGLE / THREE PHASE HEAT PUMPS INSTALLATION & SERVICE REFERENCE

© 2010-2012, 2014 Goodman Manufacturing Company, L.P.
5151 San Felipe, Suite 500, Houston, TX 77056
www.goodmanmfg.com -or- www.amana-hac.com
P/N: IO-403F Date: March 2014

NOTICE

THIS UNIT IS SHIPPED WITH A NITROGEN/HELIUM HOLDING CHARGE ONLY. UNIT MUST BE EVACUATED AND CHARGED PER INSTALLATION INSTRUCTIONS WITH REFRIGERANT LISTED ON SERIAL RATING PLATE.

NOTICE

UNITS SHIPPED WITH A HOLDING CHARGE ARE INTENDED FOR COMPONENT REPLACEMENT ONLY ON EXISTING SYSTEMS, AND NOT INTENDED FOR USE IN NEW SYSTEMS OR NEWLY CONSTRUCTED HOMES. EPA REGULATIONS PROHIBIT THE SALE OR DISTRIBUTION OF APPLIANCES PRE-CHARGED WITH THE REFRIGERANT R-22 IF THOSE APPLIANCES ARE MANUFACTURED AFTER JANUARY 1, 2010. COMPONENTS OF EXISTING R-22 SYSTEMS MAY BE REPAIRED AND/OR REPLACED.

NOTICE

UNITS MUST ONLY BE USED AS REPLACEMENT COMPONENTS FOR PRE-2010 INSTALLED SYSTEMS.

See unit rating plate for initial charge.

Important Safety Instructions

The following symbols and labels are used throughout this manual to indicate immediate or potential safety hazards. It is the owner's and installer's responsibility to read and comply with all safety information and instructions accompanying these symbols. Failure to heed safety information increases the risk of personal injury, property damage, and/or product damage.

WARNING

HIGH VOLTAGE!

Disconnect ALL power before servicing.
Multiple power sources may be present.
Failure to do so may cause property damage,
personal injury or death.



WARNING

ONLY individuals meeting (at a minimum) the requirements of an "Entry Level Technician" as specified by the Air-Conditioning, Heating and Refrigeration Institute (AHRI) may use this information. Attempting to install or repair this unit without such background may result in product damage, personal injury, or death.

CAUTION

Scroll equipped units should never be used to evacuate the air conditioning system. Vacuums this low can cause internal electrical arcing resulting in a damaged or failed compressor.

Important Note to the Owner Regarding Product Warranty

Your warranty certificate is supplied as a separate document with the unit installed by your contractor. Read the limited warranty certificate carefully to determine what is and is not covered and keep the warranty certificate in a safe place. If you are unable to locate the warranty certificate please contact your installing contractor or contact customer service (877-254-4729) to obtain a copy.

Shipping Inspection

Always keep the unit upright; laying the unit on its side or top may cause equipment damage. Shipping damage, and subsequent investigation is the responsibility of the carrier. Verify the model number, specifications, electrical characteristics, and accessories are correct prior to installation. The distributor or manufacturer will not accept claims from dealers for transportation damage or installation of incorrectly shipped units.

Codes & Regulations

This product is designed and manufactured to comply with national codes. Installation in accordance with such codes and/or prevailing local codes/regulations is the responsibility of the installer. The manufacturer assumes no responsibility for equipment installed in violation of any codes or regulations. Rated performance is achieved after 72 hours of operation. Rated performance is delivered at the specified airflow. See outdoor unit specification sheet for split system models or product specification sheet for packaged and light commercial models. Specification sheets can be found at www.goodmanmfg.com for Goodman® brand products or www.amana-hac.com for Amana® brand products. Within either website, please select the residential or commercial products menu and then select the submenu for the type of product to be installed, such as air conditioners or heat pumps, to access a list of product pages that each contain links to that model's specification sheet.



The United States Environmental Protection Agency (EPA) has issued various regulations regarding the introduction and disposal of refrigerants. Failure to follow these regulations may harm the environment and can lead to the imposition of substantial fines. Should you have any questions please contact the local office of the EPA.

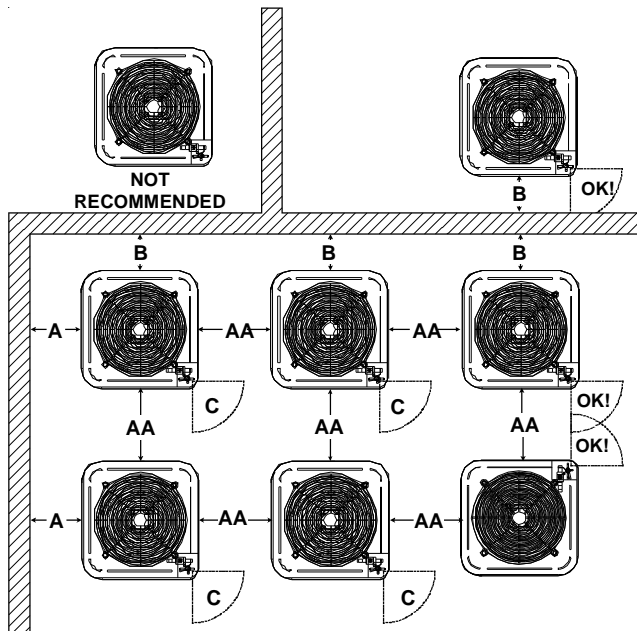
If replacing a condensing unit or air handler, the system must be manufacturer approved and Air Conditioning, Heating and Refrigeration Institute (AHRI) matched. **NOTE:** Installation of unmatched systems is strongly discouraged.

Operating the unit in a structure that is not complete (either as part of new construction or renovation) will void the warranty.

Installation Clearances

Special consideration must be given to location of the condensing unit(s) in regard to structures, obstructions, other units, and any/all other factors that may interfere with air circulation. Where possible, the top of the unit should be completely unobstructed; however, if vertical conditions require placement beneath an obstruction **there should be a minimum of 60 inches between the top of the unit and the obstruction(s)**. The specified dimensions meet requirements for air circulation only. Consult all appropriate regulatory codes prior to determining final clearances.

Another important consideration in selecting a location for the unit(s) is the angle to obstructions. Either side adjacent the valves can be placed toward the structure provided the side away from the structure maintains minimum service clearance. Corner installations are strongly discouraged.



| Minimum Airflow Clearance | | | | |
|---------------------------|-----|-----|-----|-----|
| Model Type | A | B | C | AA |
| Residential | 10" | 10" | 18" | 20" |
| Light Commercial | 12" | 12" | 18" | 24" |

This unit can be located at ground floor level or on flat roofs. At ground floor level, the unit must be on a solid, level foundation that will not shift or settle. To reduce the possibility of sound transmission, the foundation slab should not be in contact with or be an integral part of the building foundation. Ensure the foundation is sufficient to support the unit. A concrete slab raised above ground level provides a suitable base.

Rooftop Installations

If it is necessary to install this unit on a roof structure, ensure the roof structure can support the weight and that proper consideration is given to the weather-tight integrity of the roof. Since the unit can vibrate during operation, sound vibration transmission should be considered when installing the unit. Vibration absorbing pads or springs can be installed between the condensing unit legs or frame and the roof mounting assembly to reduce noise vibration.

NOTE: These units require special location consideration in areas of heavy snow accumulation and/or areas with prolonged continuous subfreezing temperatures. Heat pump unit bases have cutouts under the outdoor coil that permit drainage of frost accumulation. Situate the unit to permit free unobstructed drainage of the defrost water and ice. A minimum 3" clearance under the outdoor coil is required in the milder climates.

In more severe weather locations, it is recommended that the unit be elevated to allow unobstructed drainage and air flow. The following elevation minimums are recommended:

| Design Temperature | Suggested Minimum Elevation |
|--------------------|-----------------------------|
| +15° and above | 2 1/2" |
| -5° to +14° | 8" |
| below -5° | 12" |

Safe Refrigerant Handling

While these items will not cover every conceivable situation, they should serve as a useful guide.

WARNING

To avoid possible injury, explosion or death, practice safe handling of refrigerants.

WARNING

Refrigerants are heavier than air. They can "push out" the oxygen in your lungs or in any enclosed space. To avoid possible difficulty in breathing or death:

- Never purge refrigerant into an enclosed room or space. By law, all refrigerants must be reclaimed.
- If an indoor leak is suspected, thoroughly ventilate the area before beginning work.
- Liquid refrigerant can be very cold. To avoid possible frostbite or blindness, avoid contact and wear gloves and goggles. If liquid refrigerant does contact your skin or eyes, seek medical help immediately.
- Always follow EPA regulations. Never burn refrigerant, as poisonous gas will be produced.

WARNING

To avoid possible explosion:

- Never apply flame or steam to a refrigerant cylinder. If you must heat a cylinder for faster charging, partially immerse it in warm water.
- Never fill a cylinder more than 80% full of liquid refrigerant.
- Never add anything other than R-22 to an R-22 cylinder. The service equipment used must be listed or certified for the type of refrigerant used.
- Store cylinders in a cool, dry place. Never use a cylinder as a platform or a roller.

WARNING

To avoid possible explosion, use only returnable (not disposable) service cylinders when removing refrigerant from a system.

- Ensure the cylinder is free of damage which could lead to a leak or explosion.
- Ensure the hydrostatic test date does not exceed 5 years.
- Ensure the pressure rating meets or exceeds 400 lbs.

When in doubt, do not use cylinder.

Refrigerant Lines

CAUTION

POE oil and mineral oil are both susceptible to moisture absorption and could cause compressor failure. Do not leave system open to atmosphere any longer than necessary for installation.

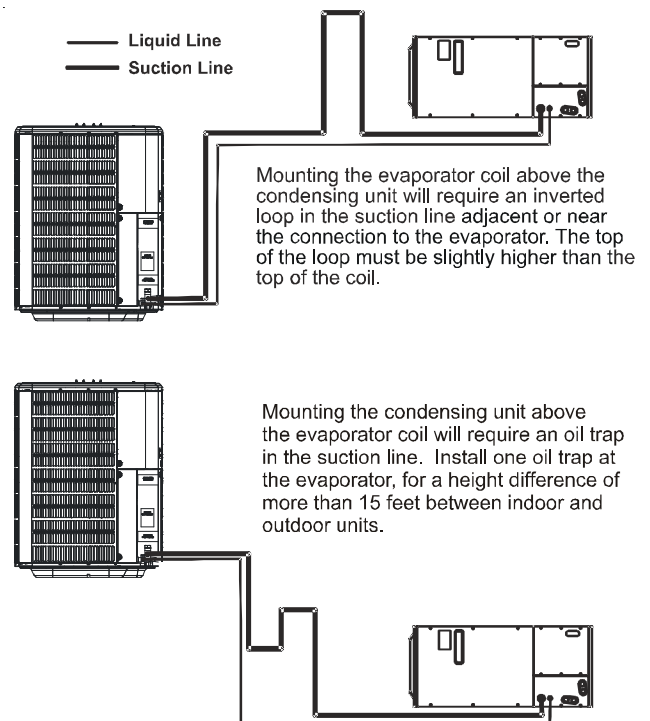
Use only refrigerant grade (dehydrated and sealed) copper tubing to connect the condensing unit with the indoor evaporator. After cutting the tubing, install plugs to keep refrigerant tubing clean and dry prior to and during installation. Tubing should always be cut square keeping ends round and free from burrs. Clean the tubing to prevent contamination.

Do NOT let refrigerant lines come in direct contact with plumbing, ductwork, floor joists, wall studs, floors, and walls. When running refrigerant lines through a foundation or wall, openings should allow for sound and vibration absorbing material to be placed or installed between tubing and foundation. Any gap between foundation or wall and refrigerant lines should be filled with a pliable silicon-based caulk, RTV or a vibration damping material. Avoid suspending refrigerant tubing from joists and studs with rigid wire or straps that would come in contact with the tubing. Use an insulated or suspension type hanger. Keep both lines separate and always insulate the suction line.

These sizes are recommended for line lengths of 79 feet or less. For other line sizing options or runs of more than fifty feet, refer to Remote Cooling Service Manual, or TP-106 Long Line Set Application R-22, or contact your distributor for assistance.

| RECOMMENDED INTERCONNECTING TUBING (Ft) | | | | | | |
|---|------------------------|-----|-------|-----|--------|-----|
| Cond Unit Tons | 0-24 | | 25-49 | | 50-79* | |
| | Line Diameter (In. OD) | | | | | |
| | Suct | Liq | Suct | Liq | Suct | Liq |
| 1 1/2 | 5/8 | 1/4 | 3/4 | 3/8 | 3/4 | 3/8 |
| 2 | 5/8 | 1/4 | 3/4 | 3/8 | 3/4 | 3/8 |
| 2 1/2 | 5/8 | 1/4 | 3/4 | 3/8 | 7/8 | 3/8 |
| 3 | 3/4 | 3/8 | 7/8 | 3/8 | 1 1/8 | 3/8 |
| 3 1/2 | 7/8 | 3/8 | 1 1/8 | 3/8 | 1 1/8 | 3/8 |
| 4 | 7/8 | 3/8 | 1 1/8 | 3/8 | 1 1/8 | 3/8 |
| 5 | 7/8 | 3/8 | 1 1/8 | 3/8 | 1 1/8 | 3/8 |

* Lines greater than 79 feet in length or vertical elevation changes more than 50 feet refer to the Remote Cooling Service Manual or contact your distributor for assistance.



Insulation is necessary to prevent condensation from forming and dropping from the suction line. Armflex (or satisfactory equivalent) with 3/8" min. wall thickness is recommended. In severe conditions (hot, high humidity areas) 1/2" insulation may be required. Insulation must be installed in a manner which protects tubing from damage and contamination.

Where possible, drain as much residual compressor oil from existing systems, lines, and traps; pay close attention to low areas where oil may collect. When replacing outdoor unit with mineral oil charged compressor line set and indoor coil must be flushed with system flushing agent to remove any mineral oil and residue from the existing system.

NOTE: If changing refrigerant types, ensure the indoor coil and metering device is compatible with the type of refrigerant being used; otherwise, the indoor coil must be replaced.

Burying Refrigerant Lines

If burying refrigerant lines can not be avoided, use the following checklist.

1. Insulate liquid and suction lines separately.
2. Enclose all underground portions of the refrigerant lines in waterproof material (conduit or pipe) sealing the ends where tubing enters/exits the enclosure.
3. If the lines must pass under or through a concrete slab, ensure lines are adequately protected and sealed.

Refrigerant Line Connections

NOTICE

THIS UNIT IS SHIPPED WITH A NITROGEN/HELIUM HOLDING CHARGE ONLY. UNIT MUST BE EVACUATED AND CHARGED PER INSTALLATION INSTRUCTIONS WITH REFRIGERANT LISTED ON SERIAL RATING PLATE.

NOTICE

UNITS SHIPPED WITH A HOLDING CHARGE ARE INTENDED FOR COMPONENT REPLACEMENT ONLY ON EXISTING SYSTEMS, AND NOT INTENDED FOR USE IN NEW SYSTEMS OR NEWLY CONSTRUCTED HOMES. EPA REGULATIONS PROHIBIT THE SALE OR DISTRIBUTION OF APPLIANCES PRE-CHARGED WITH THE REFRIGERANT R-22 IF THOSE APPLIANCES ARE MANUFACTURED AFTER JANUARY 1, 2010. COMPONENTS OF EXISTING R-22 SYSTEMS MAY BE REPAIRED AND/OR REPLACED.

NOTICE

UNITS MUST ONLY BE USED AS REPLACEMENT COMPONENTS FOR PRE-2010 INSTALLED SYSTEMS.

NOTE: Holding charge must be removed before brazing. Open service valves slowly to remove holding charge. Close valves before brazing to prevent contaminants from entering system.

IMPORTANT

To avoid overheating the service valve, TXV valve, or filter drier while brazing, wrap the component with a wet rag, or use a thermal heat trap compound. Be sure to follow the manufacturer's instruction when using the heat trap compound. Note: Remove Schrader valves from service valves before brazing tubes to the valves. Use a brazing alloy of 2% minimum silver content. Do not use flux.

Torch heat required to braze tubes of various sizes is proportional to the size of the tube. Tubes of smaller size require less heat to bring the tube to brazing temperature before adding brazing alloy. Applying too much heat to any tube can melt the tube. Service personnel must use the appropriate heat level for the size of the tube being

brazed. Note: The use of a heat shield when brazing is recommended to avoid burning the serial plate or the finish on the unit.

1. The ends of the refrigerant lines must be cut square, deburred, cleaned, and be round and free from nicks or dents. Any other condition increases the chance of a refrigerant leak.
2. "Sweep" the refrigerant line with nitrogen or inert gas during brazing to prevent the formation of copper-oxide inside the refrigerant lines. This may cause a blockage or failure of the metering device.
3. After brazing, quench the joints with water or a wet cloth to prevent overheating of the service valve.
4. Ensure the filter drier paint finish is intact after brazing. If the paint of the steel filter drier has been burned or chipped, repaint or treat with a rust preventative. This is especially important on suction line filter driers which are continually wet when the unit is operating.

NOTE: Be careful not to kink or dent refrigerant lines. Kinked or dented lines will cause poor performance or compressor damage.

Do NOT make final refrigerant line connection until plugs are removed from refrigerant tubing.

NOTE: Before brazing, verify indoor piston size by checking the piston kit chart packaged with indoor unit.

Leak Testing (Nitrogen or Nitrogen-Traced)



WARNING

To avoid the risk of fire or explosion, never use oxygen, high pressure air or flammable gases for leak testing of a refrigeration system.



WARNING

To avoid possible explosion, the line from the nitrogen cylinder must include a pressure regulator and a pressure relief valve. The pressure relief valve must be set to open at no more than 150 psig.

Pressure test the system using dry nitrogen and soapy water to locate leaks. If you wish to use a leak detector, charge the system to 10 psi using the appropriate refrigerant then use nitrogen to finish charging the system to working pressure then apply the detector to suspect areas. If leaks are found, repair them. After repair, repeat the pressure test. If no leaks exist, proceed to system evacuation.

System Evacuation

Condensing unit liquid and suction valves are closed to contain the charge within the unit. The unit is shipped with the valve stems closed and caps installed.



WARNING

REFRIGERANT UNDER PRESSURE!
Failure to follow proper procedures may cause property damage, personal injury or death.

NOTE: Scroll compressors should never be used to evacuate or pump down a heat pump or air conditioning system.

NOTICE

THIS UNIT IS SHIPPED WITH A NITROGEN/HELIUM HOLDING CHARGE ONLY. UNIT MUST BE EVACUATED AND CHARGED PER INSTALLATION INSTRUCTIONS WITH REFRIGERANT LISTED ON SERIAL RATING PLATE.

NOTICE

UNITS SHIPPED WITH A HOLDING CHARGE ARE INTENDED FOR COMPONENT REPLACEMENT ONLY ON EXISTING SYSTEMS, AND NOT INTENDED FOR USE IN NEW SYSTEMS OR NEWLY CONSTRUCTED HOMES. EPA REGULATIONS PROHIBIT THE SALE OR DISTRIBUTION OF APPLIANCES PRE-CHARGED WITH THE REFRIGERANT R-22 IF THOSE APPLIANCES ARE MANUFACTURED AFTER JANUARY 1, 2010. COMPONENTS OF EXISTING R-22 SYSTEMS MAY BE REPAIRED AND/OR REPLACED.

NOTICE

UNITS MUST ONLY BE USED AS REPLACEMENT COMPONENTS FOR PRE-2010 INSTALLED SYSTEMS.

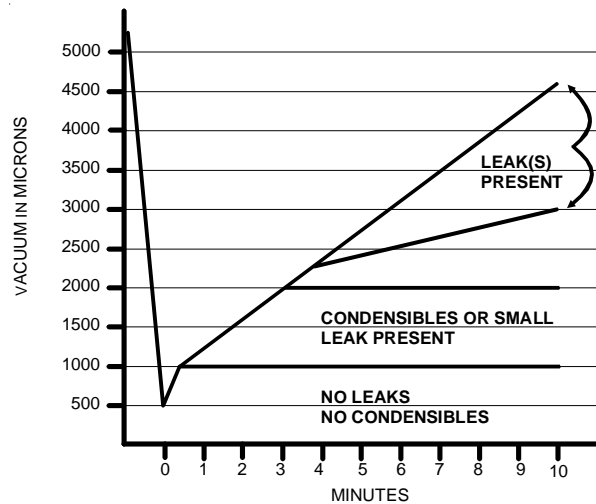
NOTE: Holding charge must be removed before brazing.



CAUTION

Prolonged operation at suction pressures less than 20 psig for more than 5 seconds will result in overheating of the scrolls and permanent damage to the scroll tips, drive bearings and internal seal.

1. Open service valves before attaching vacuum pump.
2. Connect the vacuum pump with 250 micron capability to the service valves.
3. Evacuate the system to 250 microns or less using suction **and** liquid service valves. Using both valves is necessary as some compressors create a mechanical seal separating the sides of the system.
4. Close pump valve and hold vacuum for 10 minutes. Typically pressure will rise during this period.



- If the pressure rises to 1000 microns or less and remains steady the system is considered leak-free; proceed to startup.
- If pressure rises above 1000 microns but holds steady below 2000 microns, moisture and/or noncondensibles may be present or the system may have a small leak. Return to step 2: If the same result is encountered check for leaks as previously indicated and repair as necessary then repeat evacuation.
- If pressure rises above 2000 microns, a leak is present. Check for leaks as previously indicated and repair as necessary then repeat evacuation.

Electrical Connections



WARNING

HIGH VOLTAGE!

Disconnect ALL power before servicing. Multiple power sources may be present. Failure to do so may cause property damage, personal injury or death due to electric shock. Wiring must conform with NEC or CEC and all local codes. Undersized wires could cause poor equipment performance, equipment damage or fire.



WARNING

To avoid the risk of fire or equipment damage, use copper conductors.

NOTICE

UNITS WITH RECIPROCATING COMPRESSORS AND NON-BLEED TXV'S REQUIRE A HARD START KIT.

The condensing unit rating plate lists pertinent electrical data necessary for proper electrical service and overcurrent protection. Wires should be sized to limit voltage drop to 2% (max.) from the main breaker or fuse panel to the condensing unit. Consult the NEC, CEC, and all local codes to determine the correct wire gauge and length.

Local codes often require a disconnect switch located near the unit; do not install the switch on the unit. Refer to the installation instructions supplied with the indoor furnace/air handler for specific wiring connections and indoor unit configuration. Likewise, consult the instructions packaged with the thermostat for mounting and location information.

Overcurrent Protection

The following overcurrent protection devices are approved for use.

- Time delay fuses
- HACR type circuit breakers

These devices have sufficient time delay to permit the motor compressor to start and accelerate its load.

Three Phase Compressor Rotation

CAUTION
Use care when handling scroll compressors. Dome temperatures could be hot.

Three phase compressors are power phase dependent and can rotate in either direction.

Verify proper rotation for three phase compressors by ensuring the suction pressure drops and discharge pressure rises when the compressor is energized. **NOTE:** When operated in reverse, a three phase scroll compressors is noisier and its current draw substantially reduced compared to marked values.

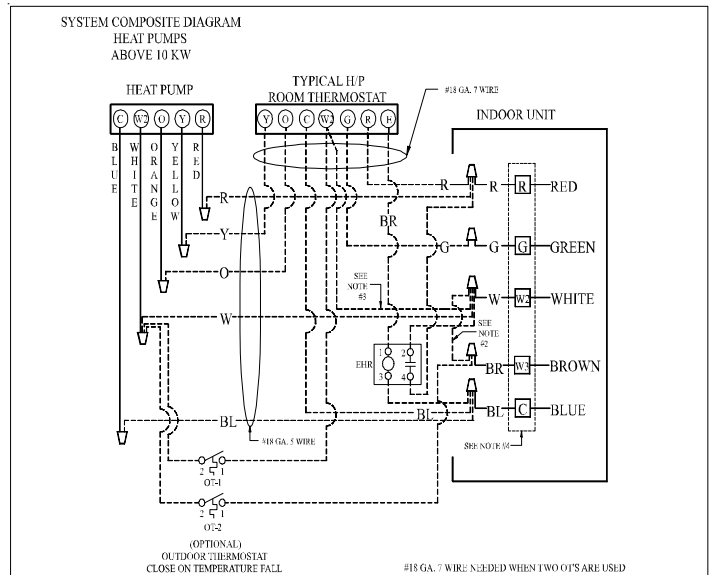
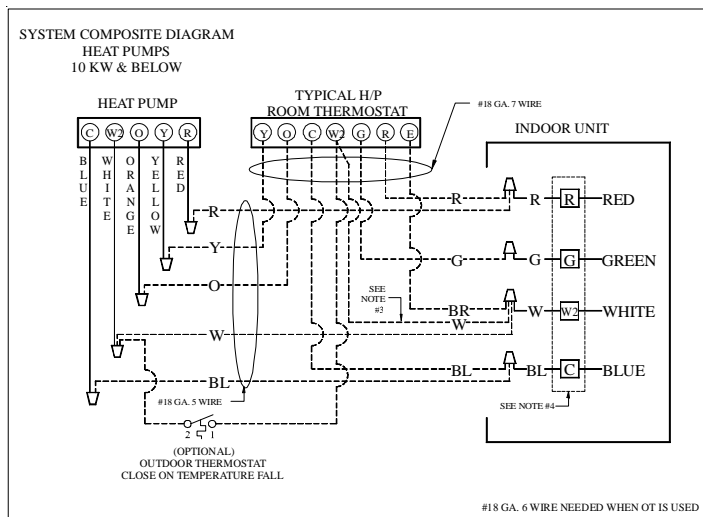
To correct, disconnect power and switch any two leads at the unit contactor and re-observe.

High Voltage Connections

Route power supply and ground wires through the high voltage port and terminate in accordance with the wiring diagram provided inside the control panel cover.

Low Voltage Connections

Condensing unit control wiring requires 24 Volt minimum, 25VA service from the indoor transformer. Route control wires through the low voltage port and terminate in accordance with the wiring diagram provided inside the control panel cover.



NOTES:
1) OUTDOOR THERMOSTAT (O1-1) SHOULD BE THE FIRST TO CLOSE AND THE LAST TO OPEN.
2) CONNECT WHITE AND BROWN WIRES FROM AIR-HANDLER TOGETHER IF O1-2 IS NOT USED.
3) REMOVE WIRE WHEN USING OUTDOOR THERMOSTAT
4) TERMINAL BLOCK MARKINGS ARE FOR AMANA AIRHANDLERS.

NOMENCLATURE
OT—OUTDOOR THERMOSTAT (OPTIONAL)
EHR—EMERGENCY HEAT RELAY (OPTIONAL)

COLOR CODES
R—RED O—ORANGE
Y—YELLOW W—WHITE
BL—BLUE G—GREEN
BR—BROWN

Thermostat with Low Voltage Wires to Heat Pump Unit

System Start Up

CAUTION
POSSIBLE REFRIGERANT LEAK
To avoid a possible refrigerant leak, open the service valves until the top of the stem is 1/8" from the retainer.

When opening valves with retainers, open each valve only until the top of the stem is 1/8" from the retainer. To avoid loss of refrigerant, DO NOT apply pressure to the retainer. When opening valves without a retainer remove service valve cap and insert a hex wrench into the valve stem and back out the stem by turning the hex wrench counterclockwise. Open the valve until it contacts the rolled lip of the valve body.

NOTE: These are not back-seating valves. It is not necessary to force the stem tightly against the rolled lip.

The service valve cap is the secondary seal for the valves and must be properly tightened to prevent leaks. Make sure cap is clean and apply refrigerant oil to threads and sealing surface on inside of cap. Tighten cap finger-tight and then tighten additional 1/6 of a turn (1 wrench flat), or to the following specification, to properly seat the sealing surfaces.

1. 3/8" valve to 5 - 10 in-lbs
2. 5/8" valve to 5 - 20 in-lbs
3. 3/4" valve to 5 - 20 in-lbs
4. 7/8" valve to 5 - 20 in-lbs

Do not introduce liquid refrigerant from the cylinder into the crankcase of the compressor as this may damage the compressor.

CAUTION

POSSIBLE REFRIGERANT LEAK
To avoid a possible refrigerant leak, open the service valves until the top of the stem is 1/8" from the retainer.

NOTICE

REFRIGERANT MUST BE ADDED TO THE SYSTEM AFTER EVACUATION IS COMPLETE.

WARNING

REFRIGERANT UNDER PRESSURE!

- Do not overcharge system with refrigerant.
 - Do not operate unit in a vacuum or at negative pressure.
- Failure to follow proper procedures may cause property damage, personal injury or death.

1. Add refrigerant amount for the unit being installed. See *unit rating plate for initial charge.*
2. Set thermostat to call for cooling. Check indoor and outdoor fan operation and allow system to stabilize for 10 minutes for fixed orifices and 20 minutes for expansion valves.

Charge Verification

WARNING

REFRIGERANT UNDER PRESSURE!

- Do not overcharge system with refrigerant.
 - Do not operate unit in a vacuum or at negative pressure.
- Failure to follow proper procedures may cause property damage, personal injury or death.

CAUTION

Use refrigerant certified to AHRI standards. Use of used refrigerant may cause compressor damage that is not covered under warranty. Most portable machines cannot clean used refrigerant to meet AHRI standards.

NOTICE

VIOLATION OF EPA REGULATIONS MAY RESULT IN FINES OR OTHER PENALTIES

CAUTION

Operating the compressor with the suction valve closed may cause serious compressor damage.

Final Charge Adjustment

The outdoor temperature must be 60°F or higher. Set the room thermostat to COOL, fan switch to AUTO, and set the temperature control well below room temperature.

After system has stabilized per startup instructions, check subcooling and superheat as detailed in the following section.

| SYSTEM SUPERHEAT | | | | | | | | | | |
|--|----------------------------------|---------|---------|---------|---------|---------|---------|---------|---------|---------|
| Ambient Condenser Inlet Temperature (°F Drybulb) | Return Air Temperature (50%RH) | | | | | | | | | |
| | Drybulb | Wetbulb | Drybulb | Wetbulb | Drybulb | Wetbulb | Drybulb | Wetbulb | Drybulb | Wetbulb |
| | 65° | 54° | 70° | 58° | 75° | 63° | 80° | 67° | 85° | 71° |
| 115 | --- | --- | --- | --- | --- | --- | --- | --- | 5 | 6 |
| 100 | --- | --- | --- | --- | --- | --- | 5 | 5 * | 9 | 11 |
| 95 | --- | --- | --- | --- | 5 | 5 | 10 | 12 | 17 | 20 |
| 90 | --- | --- | --- | --- | 5 | 5 | 18 | 20 | 22 | 25 |
| 85 | --- | --- | 5 | 5 | 5 | 5 | 24 | 25 | 29 | 31 |
| 80 | 5 | 5 | 5 | 5 | 10 | 10 | 20 | 25 | 29 | 31 |
| 75 | 5 | 5 | 5 | 6 | 15 | 15 | 24 | 28 | 31 | 31 |
| 70 | 5 | 5 | 10 | 10 | 20 | 20 | 25 | 28 | 31 | 31 |
| 65 | 5 | 5 | 10 | 10 | 20 | 20 | 25 | 28 | 31 | 31 |
| 60 | 8 | 8 | 15 | 15 | 21 | 21 | 28 | 31 | 31 | 31 |

NOTE: * Charge 5° super heat, all other could be ± 2°F

| SATURATED SUCTION PRESSURE TEMPERATURE CHART | |
|---|-------------------------------------|
| SUCTION PRESSURE | SATURATED SUCTION TEMPERATURE °F |
| PSIG | R-22 |
| 50 | 26 |
| 52 | 28 |
| 54 | 29 |
| 56 | 31 |
| 58 | 32 |
| 60 | 34 |
| 62 | 35 |
| 64 | 37 |
| 66 | 38 |
| 68 | 40 |
| 70 | 41 |
| 72 | 42 |
| 74 | 44 |
| 76 | 45 |
| 78 | 46 |
| 80 | 48 |
| 85 | 50 |
| 90 | 53 |
| 95 | 56 |
| 100 | 59 |
| 110 | 64 |
| 120 | 69 |
| 130 | 73 |
| 140 | 78 |
| 150 | 83 |
| 160 | 86 |
| 170 | 90 |

| SATURATED LIQUID PRESSURE TEMPERATURE CHART | |
|--|------------------------------------|
| LIQUID PRESSURE | SATURATED LIQUID TEMPERATURE °F |
| PSIG | R-22 |
| 200 | 101 |
| 210 | 105 |
| 220 | 108 |
| 225 | 110 |
| 235 | 113 |
| 245 | 116 |
| 255 | 119 |
| 265 | 121 |
| 275 | 124 |
| 285 | 127 |
| 295 | 130 |
| 305 | 133 |
| 325 | 137 |
| 355 | 144 |
| 375 | 148 |
| 405 | 155 |
| 415 | 157 |
| 425 | n/a |
| 435 | n/a |
| 445 | n/a |
| 475 | n/a |
| 500 | n/a |
| 525 | n/a |
| 550 | n/a |
| 575 | n/a |
| 600 | n/a |
| 625 | n/a |

Fixed Orifice



CAUTION

To prevent personal injury, carefully connect and disconnect manifold gauge hoses. Escaping liquid refrigerant can cause burns. Do not vent refrigerant into the atmosphere. Recover all refrigerant during system repair and before final unit disposal.

1. Purge gauge lines. Connect service gauge manifold to base-valve service ports. Run system at least 10 minutes to allow pressure to stabilize.
2. Temporarily install a thermometer on the suction line near the compressor. The thermometer should be located within 4" to 6" of the compressor. Ensure the thermometer makes adequate contact and is insulated.
3. Refer to the superheat table provided for proper system superheat. Add charge to lower superheat or recover charge to raise superheat.
4. Disconnect manifold set, installation is complete.

Superheat Formula = Suct. Line Temp. - Sat. Suct. Temp.

Expansion Valve System

1. Purge gauge lines. Connect service gauge manifold to base-valve service ports. Run system at least 10 minutes to allow pressure to stabilize.
2. Temporarily install thermometer on liquid (small) line near liquid line service valve with adequate contact and insulate for best possible reading.

3. Check subcooling and superheat. Systems with TXV application should have a subcooling of 7 to 9 °F and superheat of 7 to 9 °F.

- a. If subcooling and superheat are low, **adjust** TXV to 7 to 9 °F superheat, then check subcooling.

NOTE: To adjust superheat, turn the valve stem clockwise to increase and counter clockwise to decrease.

- b. If subcooling is low and superheat is high, **add** charge to raise subcooling to 7 to 9 °F then check superheat.
- c. If subcooling and superheat are high, **adjust** TXV valve to 7 to 9 °F superheat, then check subcooling.
- d. If subcooling is high and superheat is low, **adjust** TXV valve to 7 to 9 °F superheat and **remove** charge to lower the subcooling to 7 to 9 °F.

NOTE: Do **NOT** adjust the charge based on suction pressure unless there is a gross undercharge.

4. Disconnect manifold set, installation is complete.

Subcooling Formula = Sat. Liquid Temp. - Liquid Line Temp.

NOTE: Check the Schrader ports for leaks and tighten valve cores if necessary. Install caps finger-tight.

Heat Pump - Heating Cycle

The proper method of charging a heat pump in the heat mode is by weight with the additional charge adjustments for line size, line length, and other system components.

Troubleshooting Information

| Complaint | No Cooling | | | | | | Unsatisfactory Cooling/Heating | | | | | | System Operating Pressures | | | | Test Method Remedy | | | |
|---------------------------------------|------------|-----------------------|--------------------------------------|------------------------------------|-------------------------------|------------------------------|--|-------------------------------|---|----------------------------|------------------------------|---|----------------------------|---|---------------------------------|-----------------------|--------------------|----------------------|-------------------|--|
| | SYMPTOM | System will not start | Compressor will not start - fan runs | Comp. and Cond. Fan will not start | Evaporator fan will not start | Condenser fan will not start | Compressor runs - goes off on overload | Compressor cycles on overload | System runs continuously - little cooling/htg | Too cool and then too warm | Not cool enough on warm days | Certain areas too cool, others too warm | Compressor is noisy | System runs - blows cold air in heating | Unit will not terminate defrost | Unit will not defrost | | Low suction pressure | Low head pressure | High suction pressure |
| Power Failure | | ● | | | | | | | | | | | | | | | | | | Test Voltage |
| Blown Fuse | | ● | | ● | ● | | | | | | | | | | | | | | | Inspect Fuse Size & Type |
| Unbalanced Power, 3PH | | | ● | | | | ● | | | | | | | | | | | | | Test Voltage |
| Loose Connection | | ● | | | ● | | ● | | | | | | | | | | | | | Inspect Connection - Tighten |
| Shorted or Broken Wires | | ● | ● | ● | ● | ● | ● | | | | | | | | | | | | | Test Circuits With Ohmmeter |
| Open Fan Overload | | | | | ● | ● | | | | | | | | | | | | | | Test Continuity of Overload |
| Faulty Thermostat | | ● | | ● | ● | | | | ● | | | | | | | | | | | Test Continuity of Thermostat & Wiring |
| Faulty Transformer | | ● | | ● | | | | | | | | | | | | | | | | Check Control Circuit with Voltmeter |
| Shorted or Open Capacitor | | | ● | | ● | ● | ● | | | | | | | | | | | | | Test Capacitor |
| Internal Compressor Overload Open | | | ● | | | | | | | | | | ◆ | | | | | | | Test Continuity of Overload |
| Shorted or Grounded Compressor | | | ● | | | | ● | | | | | | | | | | | | | Test Motor Windings |
| Compressor Stuck | | | ● | | | | ● | | | | | | ◆ | | | | | | | Use Test Cord |
| Faulty Compressor Contactor | | | | ● | | ● | ● | | | | | | | | | | | | | Test Continuity of Coil & Contacts |
| Faulty Fan Relay | | | | ● | | | | | | | | | | | | | | | | Test Continuity of Coil And Contacts |
| Open Control Circuit | | | | ● | | | | | | | | | | | | | | | | Test Control Circuit with Voltmeter |
| Low Voltage | | | ● | | | | ● | | | | | | | | | | | | | Test Voltage |
| Faulty Evap. Fan Motor | | | | ● | | | | | | | | | | | | ● | | ◆ | | Repair or Replace |
| Shorted or Grounded Fan Motor | | | | | ● | | | | | | | | | | | | | ● | | Test Motor Windings |
| Improper Cooling Anticipator | | | | | | | ● | | ● | | | | | | | | | | | Check Resistance of Anticipator |
| Shortage of Refrigerant | | | | | | | ● | ● | | | | | ◆ | | | ● | ● | | | Test For Leaks, Add Refrigerant |
| Restricted Liquid Line | | | | | | | ● | ● | | | | | | | | ● | ● | | ● | Remove Restriction, Replace Restricted Part |
| Open Element or Limit on Elec. Heater | | | | | | | | ◆ | | | | | ◆ | | | | | | | Test Heater Element and Controls |
| Dirty Air Filter | | | | | | | | ● | ● | ● | | | | | | | | | ◆ | Inspect Filter-Clean or Replace |
| Dirty Indoor Coil | | | | | | | | ● | ● | ● | | | | | | | | | ◆ | Inspect Coil - Clean |
| Not enough air across Indoor Coil | | | | | | | | ● | ● | ● | | | | | | | | | ◆ | Check Blower Speed, Duct Static Press, Filter |
| Too much air across Indoor Coil | | | | | | | | | | | | | | | | | ◆ | ● | | Reduce Blower Speed |
| Overcharge of Refrigerant | | | | | | ● | ● | | | | | ● | ◆ | | | | | | ● | Recover Part of Charge |
| Dirty Outdoor Coil | | | | | | ● | ● | | ● | | | | | | | | ◆ | | | Inspect Coil - Clean |
| Noncondensibles | | | | | | | ● | | ● | | | | ◆ | | | | | | ● | Recover Charge, Evacuate, Recharge |
| Recirculation of Condensing Air | | | | | | | ● | | ● | | | | | | | | | | ● | Remove Obstruction to Air Flow |
| Infiltration of Outdoor Air | | | | | | | ● | ● | ● | ● | | | | | | | | | | Check Windows, Doors, Vent Fans, Etc. |
| Improperly Located Thermostat | | | | | | ● | | | ● | | | | | | | | | | | Relocate Thermostat |
| Air Flow Unbalanced | | | | | | | | ● | ● | | | | | | | | | | | Readjust Air Volume Dampers |
| System Undersized | | | | | | | ● | ● | | | | | | | | | | | | Refigure Cooling Load |
| Broken Internal Parts | | | | | | | | | | | | ● | ◆ | | | | | | | Replace Compressor |
| Broken Valves | | | | | | | ● | | | | | ● | | | | | ● | ● | | Test Compressor Efficiency |
| Inefficient Compressor | | | | | | | ● | | | | | | ◆ | | | | ● | ● | | Test Compressor Efficiency |
| Wrong Type Expansion Valve | | | | | | ● | ● | ● | ● | | | | | | | | ● | ● | ◆ | Replace Valve |
| Expansion Device Restricted | | | | | | ● | ● | ● | ● | | | | | | | | ● | ● | ● | Remove Restriction or Replace Expansion Device |
| Oversized Expansion Valve | | | | | | | ● | | | | | | | | | | | | ● | Replace Valve |
| Undersized Expansion Valve | | | | | | ● | ● | ● | ● | | | | | | | | | | | Replace Valve |
| Expansion Valve Bulb Loose | | | | | | | | | | | | ● | | | | | | | | Tighten Bulb Bracket |
| Inoperative Expansion Valve | | | | | | ● | | ● | | | | | | | | | | ● | | Check Valve Operation |
| Loose Hold-down Bolts | | | | | | | | | | | | ● | | | | | | | | Tighten Bolts |
| Faulty Reversing Valve | | | | | | ● | | | | | | | ◆ | ◆ | ◆ | | ◆ | ◆ | ◆ | Replace Valve or Solenoid |
| Faulty Defrost Control | | | | | ● | | | | | | | | ◆ | ◆ | ◆ | ◆ | ◆ | ◆ | ◆ | Test Control |
| Faulty Defrost Thermostat | | | | | | | | | | | | | ◆ | ◆ | ◆ | ◆ | ◆ | ◆ | ◆ | Test Defrost Thermostat |
| Flowrator Not Seating Properly | | | | | | | ● | | | | | | | | | | ● | ● | | Check Flowrator & Seat or Replace Flowrator |

● Cooling or Heating Cycle (Heat Pump) ◆ Heating Cycle Only (Heat Pump)

For detailed service information refer to the Remote Condensing Unit Service manual.

NOTICE

UNITS WITH ROTARY OR RECIPROCATING COMPRESSORS AND NON-BLEED TXV'S REQUIRE A HARD START KIT.

THIS PAGE INTENTIONALLY LEFT BLANK

SPLIT SYSTEMS

AIR CONDITIONING AND HEAT PUMP HOMEOWNER'S ROUTINE MAINTENANCE RECOMMENDATIONS

*We strongly recommend a bi-annual maintenance checkup be performed before the heating and cooling seasons begin by a **qualified servicer**.*

Replace or Clean Filter

IMPORTANT NOTE: Never operate unit without a filter installed as dust and lint will build up on internal parts resulting in loss of efficiency, equipment damage and possible fire.

An indoor air filter must be used with your comfort system. A properly maintained filter will keep the indoor coil of your comfort system clean. A dirty coil could cause poor operation and/or severe equipment damage.

Your air filter or filters could be located in your furnace, in a blower unit, or in "filter grilles" in your ceiling or walls. The installer of your air conditioner or heat pump can tell you where your filter(s) are, and how to clean or replace them.

Check your filter(s) at least once a month. When they are dirty, replace or clean as required. Disposable type filters should be replaced. Reusable type filters may be cleaned.

You may want to ask your dealer about high efficiency filters. High efficiency filters are available in both electronic and non-electronic types. These filters can do a better job of catching small airborne particles.

Compressor

The compressor motor is hermetically sealed and does not require additional oiling.

Motors

Indoor and outdoor fan motors are permanently lubricated and do not require additional oiling.

Clean Outside Coil (Qualified Servicer Only)



WARNING

HIGH VOLTAGE!

**DISCONNECT ALL POWER BEFORE SERVICING.
MULTIPLE POWER SOURCES MAY BE PRESENT.
FAILURE TO DO SO MAY CAUSE PROPERTY DAMAGE,
PERSONAL INJURY OR DEATH.**



Air must be able to flow through the outdoor unit of your comfort system. Do not construct a fence near the unit or build a deck or patio over the unit without first discussing your plans with your dealer or other qualified servicer. Restricted airflow could lead to poor operation and/or severe equipment damage.

Likewise, it is important to keep the outdoor coil clean. Dirt, leaves, or debris could also restrict the airflow. If cleaning of the outdoor coil becomes necessary, hire a qualified servicer. Inexperienced people could easily puncture the tubing in the coil. Even a small hole in the tubing could eventually cause a large loss of refrigerant. Loss of refrigerant can cause poor operation and/or severe equipment damage.

Do not use a condensing unit cover to "protect" the outdoor unit during the winter, unless you first discuss it with your dealer. Any cover used must include "breathable" fabric to avoid moisture buildup.

BEFORE CALLING YOUR SERVICER

- Check the thermostat to confirm that it is properly set.
- Wait 15 minutes. Some devices in the outdoor unit or in programmable thermostats will prevent compressor operation for awhile, and then reset automatically. Also, some power companies will install devices which shut off air conditioners for several minutes on hot days. If you wait several minutes, the unit may begin operation on its own.
- Check the electrical panel for tripped circuit breakers or failed fuses. Reset the circuit breakers or replace fuses as necessary.
- Check the disconnect switch near the indoor furnace or blower to confirm that it is closed.
- Check for obstructions on the outdoor unit. Confirm that it has not been covered on the sides or the top. Remove any obstruction that can be safely removed. If the unit is covered with dirt or debris, call a qualified servicer to clean it.
- Check for blockage of the indoor air inlets and outlets. Confirm that they are open and have not been blocked by objects (rugs, curtains or furniture).
- Check the filter. If it is dirty, clean or replace it.
- Listen for any unusual noise(s), other than normal operating noise, that might be coming from the outdoor unit. If you hear unusual noise(s) coming from the unit, call a qualified servicer.



CAUTION

TO AVOID THE RISK OF EQUIPMENT DAMAGE OR FIRE, INSTALL THE SAME AMPERAGE BREAKER OR FUSE AS YOU ARE REPLACING. IF THE CIRCUIT BREAKER OR FUSE SHOULD OPEN AGAIN WITHIN THIRTY DAYS, CONTACT A QUALIFIED SERVICER TO CORRECT THE PROBLEM. IF YOU REPEATEDLY RESET THE BREAKER OR REPLACE THE FUSE WITHOUT HAVING THE PROBLEM CORRECTED, YOU RUN THE RISK OF SEVERE EQUIPMENT DAMAGE.