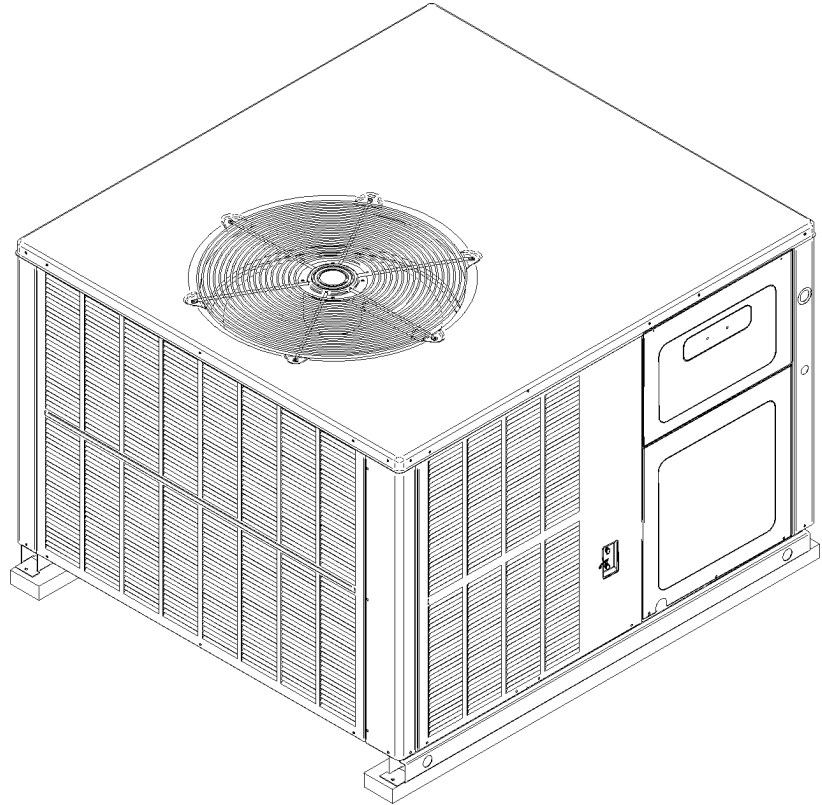


REPAIR PARTS

APH / GPH Package Heat Pumps

APH1524M41BA
APH1524M41CA
APH1530M41BA
APH1530M41CA
APH1536M41BA
APH1536M41CA
APH1543M41BA
APH1543M41CA
APH1549M41BA
APH1549M41CA
APH1560M41BA
APH1560M41CA
GPH1524M41BA
GPH1524M41CA
GPH1530M41BA
GPH1530M41CA
GPH1536M41BA
GPH1536M41CA
GPH1543M41BA
GPH1543M41CA
GPH1549M41BA
GPH1549M41CA
GPH1560M41BA
GPH1560M41CA



Amana® is a registered trademark of Maytag Corporation or its related companies and is used under license. All rights reserved.

This manual is to be used by qualified technicians only.

This manual replaces RP-752B.

© 2013-2014, 2016 Goodman Manufacturing Company, L.P. ♦ 5151 San Felipe St., Suite 500 ♦ Houston, TX 77056

Important Information

Index

Functional Parts List	3
Illustration and Parts	4 - 11

Views shown are for parts illustrations only, not servicing procedures

Text Codes:

AR - As Required

NA - Not Available

NS - Not Shown

00000000 - See Note

QTY - Quantity Example (QTY 3) (If Quantity not shown, Quantity = 1)

M - Model Example (M1) (If M Code not shown, then part is used on all Models)

Expanded Model Nomenclature:

Example M1 - Model#1 M2 - Model#2 M3 - Model#3

Goodman Company, L.P. is not responsible for personal injury or property damage resulting from improper service. Review all service information before beginning repairs.

Warranty service must be performed by an authorized technician, using authorized factory parts. If service is required after the warranty expires, Goodman Company, L.P. also recommends contacting an authorized technician and using authorized factory parts.

Goodman Company, L.P. reserves the right to discontinue, or change at any time, specifications or designs without notice or without incurring obligations.

For assistance within the U.S.A. contact:

Consumer Affairs Department

Goodman Company, L.P.

7401 Security Way

Houston, Texas 77040

877-254-4729-Telephone

713-863-2382-Facsimile

For assistance outside the U.S.A. contact:

International Division

Goodman Company, L.P.

7401 Security Way

Houston, Texas 77040

713-861-2500-Telephone

713-863-2382-Facsimile

Functional Parts

Part

No: Description:

0130M00025S	24V RELAY (M9, M10, M11, M12, M21, M22, M23, M24)	0131M00625	PROGRAMMED MOTOR (M24)
D6723303	BLOWER WHEEL	0131M00462	PROGRAMMED MOTOR (M17, M18)
CAP100400440CT	CAP, 10/40 MFD, 440V/ DUAL RD (M11, M12, M23, M24)	0131M00461	PROGRAMMED MOTOR (M23)
CAP050300440RS	CAPACITOR 5/30/370V (M9, M10, M21, M22)	0131M00622	PROGRAMMED MOTOR (M22)
CAP050400440RT	CAPACITOR 5/40/440V/DUAL RD (M1, M2, M3, M4, M13, M14, M15, M16)	0131M00463	PROGRAMMED MOTOR (M19, M20)
CAP050450440RT	CAPACITOR 5/45/440V/DUAL RD (M5, M6, M7, M8, M17, M18, M19, M20)	0131M00464	PROGRAMMED MOTOR (M21)
ZPS51K5EPFV130	COMP, 51900/208/230/60/1 (M11, M12, M23, M24)	0131M00465	PROGRAMMED MOTOR (M13)
ZP21K5EPFV130	COMPRESSOR 21300, 208/230/60/1 (M1, M2, M13, M14)	0131M00466	PROGRAMMED MOTOR (M15)
ZP25K5EPFV130	COMPRESSOR 25200, 208/230/60/1 (M3, M4, M15, M16)	0131M00616	PROGRAMMED MOTOR (M14)
ZP31K5EPFV130	COMPRESSOR 31100, 208/230/60/1 (M5, M6, M17, M18)	0131M00619	PROGRAMMED MOTOR (M16)
ZP34K5EPFV130	COMPRESSOR 34500, 208/230/60/1 (M7, M8, M19, M20)	BT1256505	RELAY, WCK (M21, M22, M23, M24)
ZPS40K5EPFV130	COMPRESSOR 41100, 208/230/60/1 (M9, M10, M21, M22)	0151M00019s	REVERSING VALVE (M1, M2, M3, M4, M13, M14, M15, M16)
0131M00061	COND MOTOR 1/4 HP, 1 SP, 8 PL (M1, M2, M3, M4, M5, M6, M13, M14, M15, M16, M17, M18)	0151M00021	REVERSING VALVE (M5, M6, M7, M8, M9, M10, M11, M12, M17, M18, M19, M20, M21, M22, M23, M24)
0131M00429	COND MOTOR 1/4 HP, 1 SP, 6 PL (M7, M8, M9, M10, M19, M20, M21, M22)	B1225022	SOLENOID COIL
0131M00430s	COND MOTOR, 1/3 HP, 1 SP, 6 PL (M11, M12, M23, M24)	0130M00138	TRANSFORMER 208/230, 24V
CONT1P025024VS	CONTACTOR 25 AMP, 1P, 24V (M1, M2, M3, M4, M5, M6, M13, M14, M15, M16, M17, M18)	Expanded Model Nomenclature	
CONT1P030024VS	CONTACTOR 30 AMP, 1P, 24V (M7, M8, M19, M20)	M1 - APH1524M41BA	
CONT2P040024V	CONTACTOR 40 AMP, 2P, 24V (M9, M10, M11, M12, M21, M22, M23, M24)	M2 - APH1524M41CA	
0130M00102	CONTROL, DEFROST	M3 - APH1530M41BA	
0130M00106	CONTROL, DEFROST (M5, M6, M7, M8, M9, M10, M11, M12, M17, M18, M19, M20, M21, M22, M23, M24)	M4 - APH1530M41CA	
0130L00017s	CRANK CASE HEATER-70W 240V (M11, M12, M23, M24)	M5 - APH1536M41BA	
0230G00005	CRANKCASE HEATER SWITCH (M5, M6, M7, M8, M9, M10, M11, M12, M17, M18, M19, M20, M21, M22, M23, M24)	M6 - APH1536M41CA	
0130M00074	CUT-OUT SWITCH, HIGH PRESSURE	M7 - APH1543M41BA	
0130M00075	CUT-OUT SWITCH, LOW PRESSURE	M8 - APH1543M41CA	
PCBDM133	DEFROST CONTROL BOARD	M9 - APH1549M41BA	
0150M00011s	FAN BLADE SWEPT-WING (M11, M23)	M10 - APH1549M41CA	
0150G00002	FAN BLADE-SWEPT WING (M1, M2, M3, M4, M5, M6, M7, M8, M9, M10, M12, M13, M14, M15, M16, M17, M18, M19, M20, M21, M22, M24)	M11 - APH1560M41BA	
0163R00003s	HEATER, CRANKCASE 230V 40W (M7, M8, M9, M10, M19, M20, M21, M22)	M12 - APH1560M41CA	
0163R00002s	HEATER, CRANKCASE 230V, 40W (M5, M6, M17, M18)	M13 - GPH1524M41BA	
0131M00637	MOTOR-1 HP PROGRAMMED EON (M11, M12)	M14 - GPH1524M41CA	
0131M00633	MOTOR-1/2 HP PROGRAMMED EON (M1, M2)	M15 - GPH1530M41BA	
0131M00632	MOTOR-1/2 HP PROGRAMMED EON (M3, M4, M5, M6)	M16 - GPH1530M41CA	
0131M00635	MOTOR-3/4 HP PROGRAMMED EON (M7, M8, M9, M10)	M17 - GPH1536M41BA	
PCBEM102	PCB, ECM PRIMARY, VSTB (M1, M2, M3, M4, M5, M6, M7, M8, M9, M10, M11, M12)	M18 - GPH1536M41CA	
0131M00634	PROGRAM-EON MOTOR 3/4 HP	M19 - GPH1543M41BA	
		M20 - GPH1543M41CA	
		M21 - GPH1549M41BA	
		M22 - GPH1549M41CA	
		M23 - GPH1560M41BA	
		M24 - GPH1560M41CA	

Cabinet Assembly

Image 1

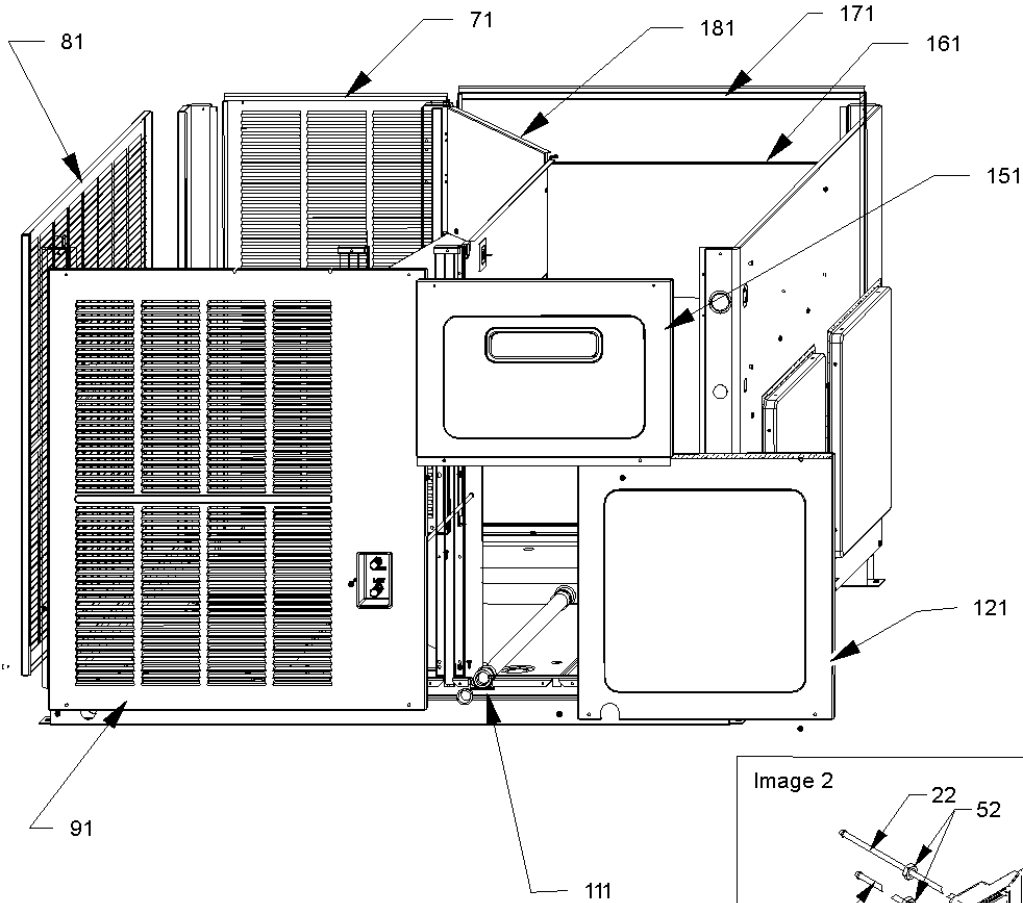
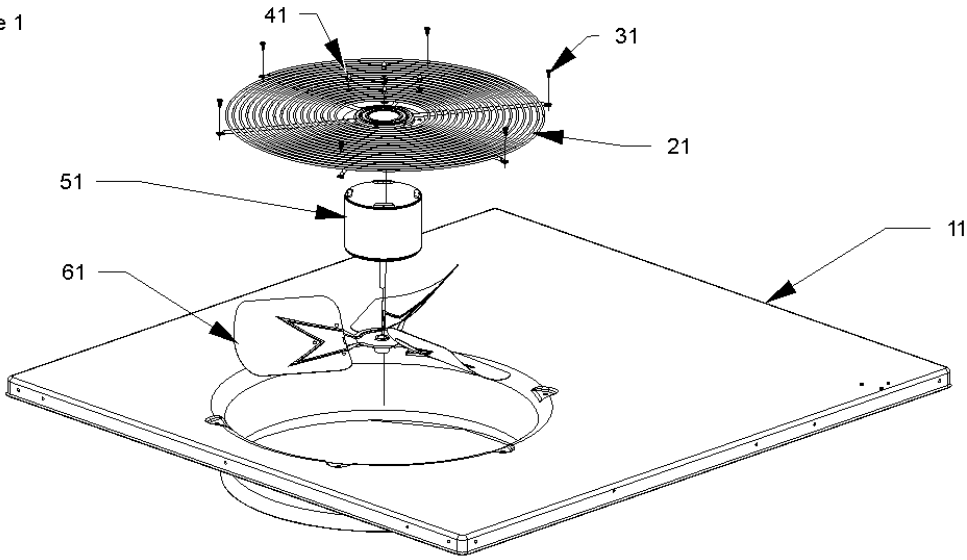
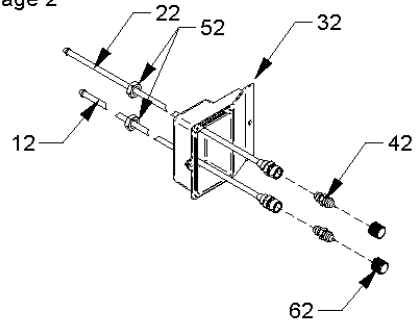


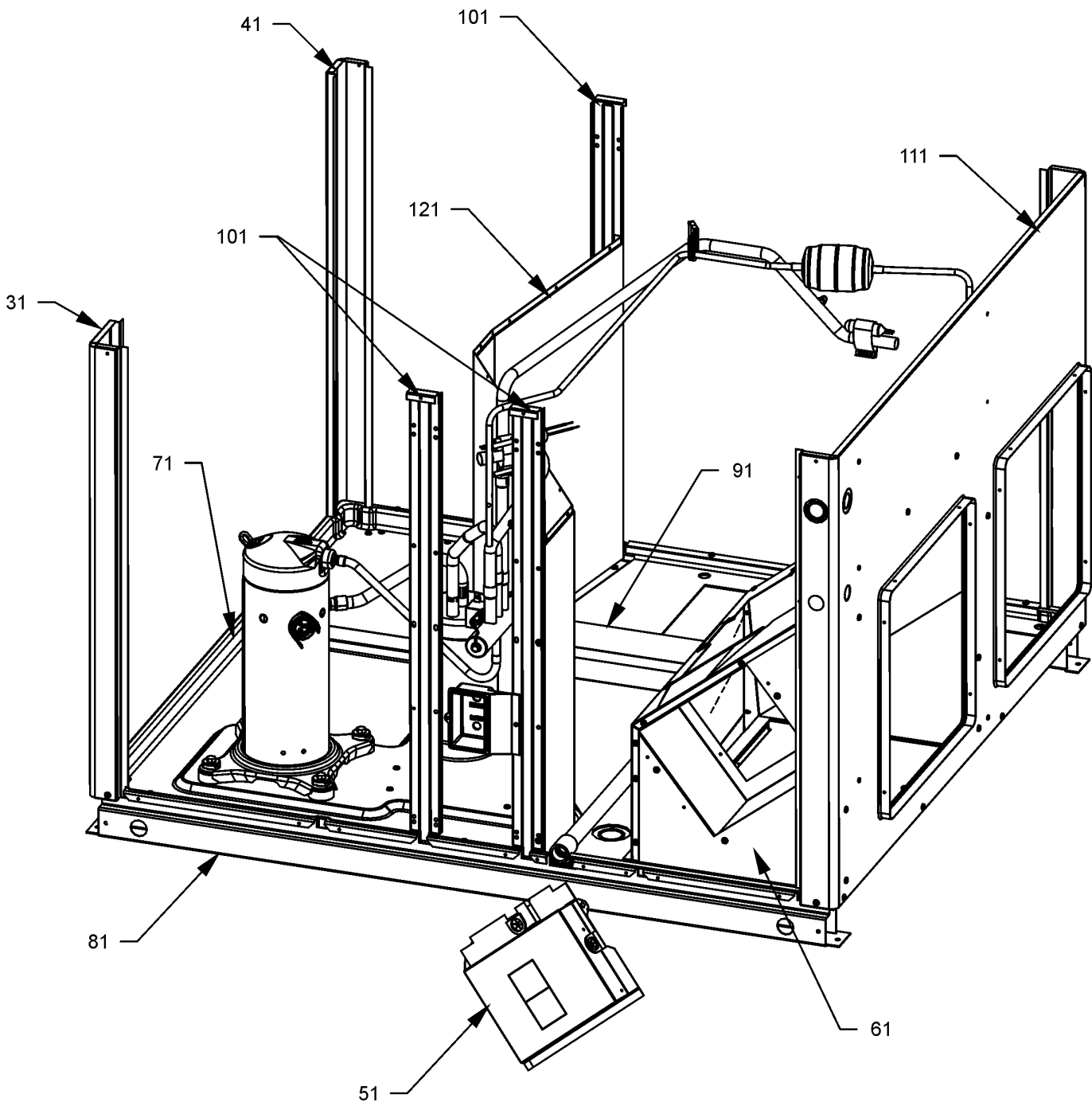
Image 2



Cabinet Assembly

Ref. Part No: No:	Description:	Ref. Part No: No:	Description:
Image 1:		Image 2:	
11	0121G00156PDG PNL, TOP, PNT	12	0210G00031P PROCESS TUBE ASSY-SUCTION
21	0152G00000 FAN GRILLE, RAISED	22	0210G00392 PROCESS TUBING ASSY (M7, M8, M9, M10, M11, M12, M19, M20, M21, M22, M23, M24)
31	M0221817 SMALL SCREW (QTY 9)	22	0210G00482 PROCESS TUBING ASSY (M1, M2, M3, M4, M5, M6, M13, M14, M15, M16, M17, M18)
41	0163M00006P ACORN NUT 5/16 HEX BLACK (QTY 4)	32	0161G00008 ACCESS-FITTING BOX
51	0131M00061 COND MOTOR 1/4 HP, 1 SP, 8 PL (M1, M2, M3, M4, M5, M6, M13, M14, M15, M16, M17, M18)	42	B1373315 ACCESS FITTING (QTY 2)
51	0131M00429 COND MOTOR 1/4 HP, 1 SP, 6 PL (M7, M8, M9, M10, M19, M20, M21, M22)	52	0163G00000P FASTEST FITTING NUT (QTY 2)
51	0131M00430s COND MOTOR, 1/3 HP, 1 SP, 6 PL (M11, M12, M23, M24)	62	0163M00175 CAP WITH O-RING (QTY 2)
61	0150M00011s FAN BLADE SWEPT-WING (M11, M23)	Expanded Model Nomenclature	
61	0150G00002 FAN BLADE-SWEPT WING (M1, M2, M3, M4, M5, M6, M7, M8, M9, M10, M12, M13, M14, M15, M16, M17, M18, M19, M20, M21, M22, M24)	M1 - APH1524M41BA	
71	20467701PDG LOUVERED PANEL, COND SIDE 32" (M13, M14, M15, M16, M17, M18)	M2 - APH1524M41CA	
71	20467701PLG LOUVERED PANEL, COND SIDE 32" (M1, M2, M3, M4, M5, M6)	M3 - APH1530M41BA	
71	20467702PDGS LOUVERED PANEL, COND SIDE 40" (M19, M20, M21, M22, M23, M24)	M4 - APH1530M41CA	
71	20467702PLGS LOUVERED PANEL, COND SIDE 40" (M7, M8, M9, M10, M11, M12)	M5 - APH1536M41BA	
81	20464401PDG LOUVERED PANEL, COND SIDE 32" (M13, M14, M15, M16, M17, M18)	M6 - APH1536M41CA	
81	20464401PLG LOUVERED PANEL, COND SIDE 32" (M1, M2, M3, M4, M5, M6)	M7 - APH1543M41BA	
81	20464402PDG LOUVERED PANEL, COND SIDE 40" (M19, M20, M21, M22, M23, M24)	M8 - APH1543M41CA	
81	20464402PLG LOUVERED PANEL, COND SIDE 40" (M7, M8, M9, M10, M11, M12)	M9 - APH1549M41BA	
91	0121G00146LGS LOUVERED PANEL 4 BANK 32.5", COMP SIDE (M1, M2, M3, M4, M5, M6)	M10 - APH1549M41CA	
91	0121G00146PDG LOUVERED PANEL 4 BANK 32.5", COMP SIDE (M13, M14, M15, M16, M17, M18)	M11 - APH1560M41BA	
91	0121G00147LG LOUVERED PANEL 4 BANK 40", COMP SIDE (M7, M9, M11)	M12 - APH1560M41CA	
91	0121G00147PDGs LOUVERED PANEL 4 BANK 40", COMP SIDE (M19, M21, M23)	M13 - GPH1524M41BA	
91	0121G00224DG SOLID PANEL COMPRESSOR 40" (M8, M10, M12, M20, M22, M24)	M14 - GPH1524M41CA	
111	0261G00000 DRAIN PIPE	M15 - GPH1530M41BA	
121	0121G00165PDG PNL, BLO, CNVRT, 32.5", PNT (M1, M2, M3, M4, M5, M6, M13, M14, M15, M16, M17, M18)	M16 - GPH1530M41CA	
121	0121G00168PDG PNL, BLO, CNVRT, 40", PNT (M7, M8, M9, M10, M11, M12, M19, M20, M21, M22, M23, M24)	M17 - GPH1536M41BA	
151	0121G00137 PL, LV BARRIER	M18 - GPH1536M41CA	
161	0121G00219 EVAP BLOCK-OFF, TOP 32.5" (M1, M2, M3, M4, M5, M6, M13, M14, M15, M16, M17, M18)	M19 - GPH1543M41BA	
161	0121G00220 EVAP BLOCK-OFF, TOP 40" (M7, M8, M9, M10, M11, M12, M19, M20, M21, M22, M23, M24)	M20 - GPH1543M41CA	
171	20464801PDG BLOWER DOOR 32" (M1, M2, M3, M4, M5, M6, M13, M14, M15, M16, M17, M18)	M21 - GPH1549M41BA	
171	20464806PDG BLOWER DOOR 40" (M7, M8, M9, M10, M11, M12, M19, M20, M21, M22, M23, M24)	M22 - GPH1549M41CA	
181	0221G00013P ASSY, SHRD, FAN	M23 - GPH1560M41BA	
NS	0121G00235 FAN BAFFLE	M24 - GPH1560M41CA	
NS	17788000083F PVC CONDUIT 8.25"		

Panels and Supports



Control Panel / Blower Assembly

**Ref. Part
No: No:**

Description:

**Ref. Part
No: No:**

Description:

Image 1:

61	0130M00138	TRANSFORMER 208/230, 24V
71	CAP100400440CT	CAP, 10/40 MFD, 440V/ DUAL RD (M11, M12, M23, M24)
71	CAP050300440RS	CAPACITOR 5/30/370V (M9, M10, M21, M22)
71	CAP050400440RT	CAPACITOR 5/40/440V/DUAL RD (M1, M2, M3, M4, M13, M14, M15, M16)
71	CAP050450440RT	CAPACITOR 5/45/440V/DUAL RD (M5, M6, M7, M8, M17, M18, M19, M20)
91	20520901	CAPACITOR STRAP
191	CONT1P025024VS	CONTACTOR 25 AMP, 1P, 24V (M1, M2, M3, M4, M5, M6, M13, M14, M15, M16, M17, M18)
191	CONT1P030024VS	CONTACTOR 30 AMP, 1P, 24V (M7, M8, M19, M20)
191	CONT2P040024V	CONTACTOR 40 AMP, 2P, 24V (M9, M10, M11, M12, M21, M22, M23, M24)
481	PCBDM133	DEFROST CONTROL BOARD
671	PCBEM102	PCB, ECM PRIMARY, VSTB (M1, M2, M3, M4, M5, M6, M7, M8, M9, M10, M11, M12)
711	0130M00025S	24V RELAY (M9, M10, M11, M12, M21, M22, M23, M24)
821	BT1256505	RELAY, WCK (M21, M22, M23, M24)
NS	0259G00070	WIRE HARNESS, ELECTRIC HEAT (M13, M14, M15, M16, M17, M18, M19, M20, M21, M22, M23, M24)
NS	0259G00071	WIRE HARNESS, ELECTRIC HEAT (M1, M2, M3, M4, M5, M6, M7, M8, M9, M10, M11, M12)
NS	B1378701	WIRE HARNESS, HIGH VOLTAGE (5-PIN ECM) (M1, M2, M3, M4, M5, M6, M7, M8, M9, M10, M11, M12)
NS	B1378700	WIRE HARNESS, LOW VOLTAGE (16-PIN ECM) (M1, M2, M3, M4, M5, M6, M7, M8, M9, M10, M11, M12)

Expanded Model Nomenclature

M1 - APH1524M41BA
M2 - APH1524M41CA
M3 - APH1530M41BA
M4 - APH1530M41CA
M5 - APH1536M41BA
M6 - APH1536M41CA
M7 - APH1543M41BA
M8 - APH1543M41CA
M9 - APH1549M41BA
M10 - APH1549M41CA
M11 - APH1560M41BA
M12 - APH1560M41CA
M13 - GPH1524M41BA
M14 - GPH1524M41CA
M15 - GPH1530M41BA
M16 - GPH1530M41CA
M17 - GPH1536M41BA
M18 - GPH1536M41CA
M19 - GPH1543M41BA
M20 - GPH1543M41CA
M21 - GPH1549M41BA
M22 - GPH1549M41CA
M23 - GPH1560M41BA
M24 - GPH1560M41CA

Image 2:

12	B1376857	MOTOR MOUNT ARM (QTY 3)
22	0121M00038	MOTOR MOUNT BAND
32	0131M00637	MOTOR-1 HP PROGRAMMED EON (M11, M12)
32	0131M00632	MOTOR-1/2 HP PROGRAMMED EON (M3, M4, M5, M6)
32	0131M00633	MOTOR-1/2 HP PROGRAMMED EON (M1, M2)
32	0131M00635	MOTOR-3/4 HP PROGRAMMED EON (M7, M8, M9, M10)
32	0131M00634	PROGRAM-EON MOTOR 3/4 HP
32	0131M00461	PROGRAMMED MOTOR (M23)
32	0131M00462	PROGRAMMED MOTOR (M17, M18)
32	0131M00463	PROGRAMMED MOTOR (M19, M20)
32	0131M00464	PROGRAMMED MOTOR (M21)
32	0131M00465	PROGRAMMED MOTOR (M13)
32	0131M00466	PROGRAMMED MOTOR (M15)
32	0131M00616	PROGRAMMED MOTOR (M14)
32	0131M00619	PROGRAMMED MOTOR (M16)
32	0131M00622	PROGRAMMED MOTOR (M22)
32	0131M00625	PROGRAMMED MOTOR (M24)
42	D6723303	BLOWER WHEEL
52	764742	BLOWER BLOCK-OFF
92	0271G00024	BLOWER HOUSING ASSY 10 X 9
152	M0250565	TC SCREW 1.25" (QTY 5)
302	B1393323	MACHINE SCREW HWH 1/4-20 X 1-1/2 BZ
312	B1393800	LOCKNUT, NYLON, INSERT 1/4, 20

Tubing / Coil Assemblies

Image 1

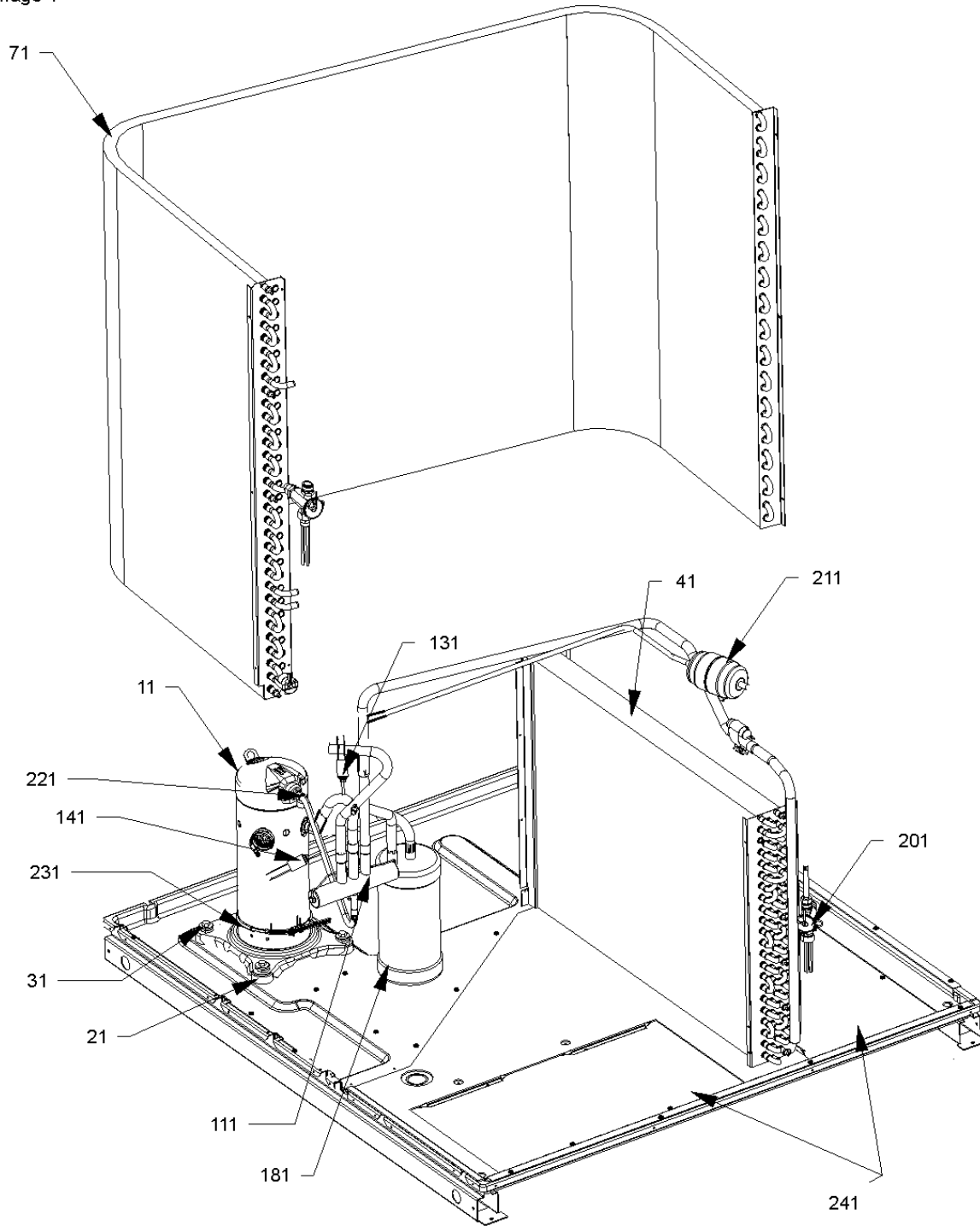
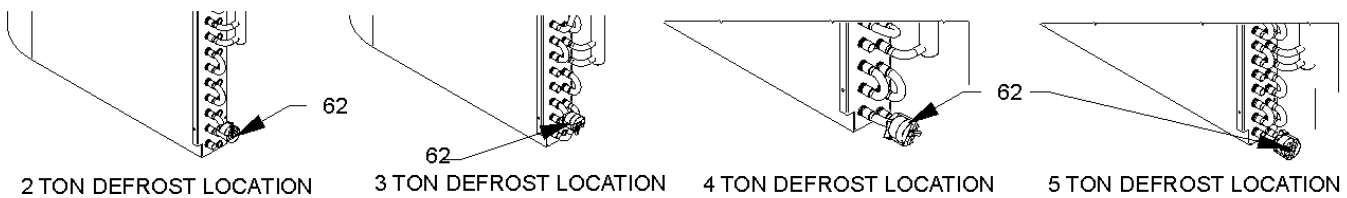


Image 2



Panels and Supports

Ref. Part No: No:	Description:	Ref. Part No: No:	Description:
<i>Image 1:</i>		Expanded Model Nomenclature	
31	20464201PDG CORNER POST-COMP END 32" (M1, M2, M3, M4, M5, M6, M13, M14, M15, M16, M17, M18)	M1 - APH1524M41BA	
31	20464202PDGs CORNER POST-COMP END 40" (M7, M8, M9, M10, M11, M12, M19, M20, M21, M22, M23, M24)	M2 - APH1524M41CA	
41	20464301PDG CORNER POST-HAIRPIN END 32" (M1, M2, M3, M4, M5, M6, M13, M14, M15, M16, M17, M18)	M3 - APH1530M41BA	
41	20464302PDG CORNER POST-HAIRPIN END 40" (M7, M8, M9, M10, M11, M12, M19, M20, M21, M22, M23, M24)	M4 - APH1530M41CA	
51	0121G00528 COVER, HK (QTY 2)	M5 - APH1536M41BA	
61	0221G00014 BLOWER TRANSITION ASSY	M6 - APH1536M41CA	
71	0121G00290 BASE PAN RAIL (QTY 2)	M7 - APH1543M41BA	
81	0121G00444 BASEPAN, PACKAGE	M8 - APH1543M41CA	
91	0161G00003 PLASTIC DRIP PAN	M9 - APH1549M41BA	
101	0121G00460 POST-SUPPORT, SIDE (M1, M2, M3, M4, M5, M6, M13, M14, M15, M16, M17, M18)	M10 - APH1549M41CA	
101	0121G00462 POST-SUPPORT, SIDE (M7, M8, M9, M10, M11, M12, M19, M20, M21, M22, M23, M24)	M11 - APH1560M41BA	
111	0121G00440 PNL, DUCT, CNVRT 32.5" (M1, M2, M3, M4, M5, M6, M13, M14, M15, M16, M17, M18)	M12 - APH1560M41CA	
111	0121G00441 PNL, DUCT, CNVRT 40" (M7, M8, M9, M10, M11, M12, M19, M20, M21, M22, M23, M24)	M13 - GPH1524M41BA	
121	0121G00510 PARTITION, 32.5" (M1, M2, M3, M4, M5, M6, M13, M14, M15, M16, M17, M18)	M14 - GPH1524M41CA	
121	0121G00511 PARTITION, 40" (M7, M9, M11, M19, M21, M23)	M15 - GPH1530M41BA	
121	0121G00549 PARTITION, 40" (M8, M10, M12, M20, M22, M24)	M16 - GPH1530M41CA	
NS	0121G00158 EVAP BLOCK-OFF 32.5" (M1, M2, M3, M4, M5, M6, M13, M14, M15, M16, M17, M18)	M17 - GPH1536M41BA	
NS	0121G00159 EVAP BLOCK-OFF 40" (M7, M8, M9, M10, M11, M12, M19, M20, M21, M22, M23, M24)	M18 - GPH1536M41CA	
		M19 - GPH1543M41BA	
		M20 - GPH1543M41CA	
		M21 - GPH1549M41BA	
		M22 - GPH1549M41CA	
		M23 - GPH1560M41BA	
		M24 - GPH1560M41CA	

Control Panel / Blower Assembly

Image 1

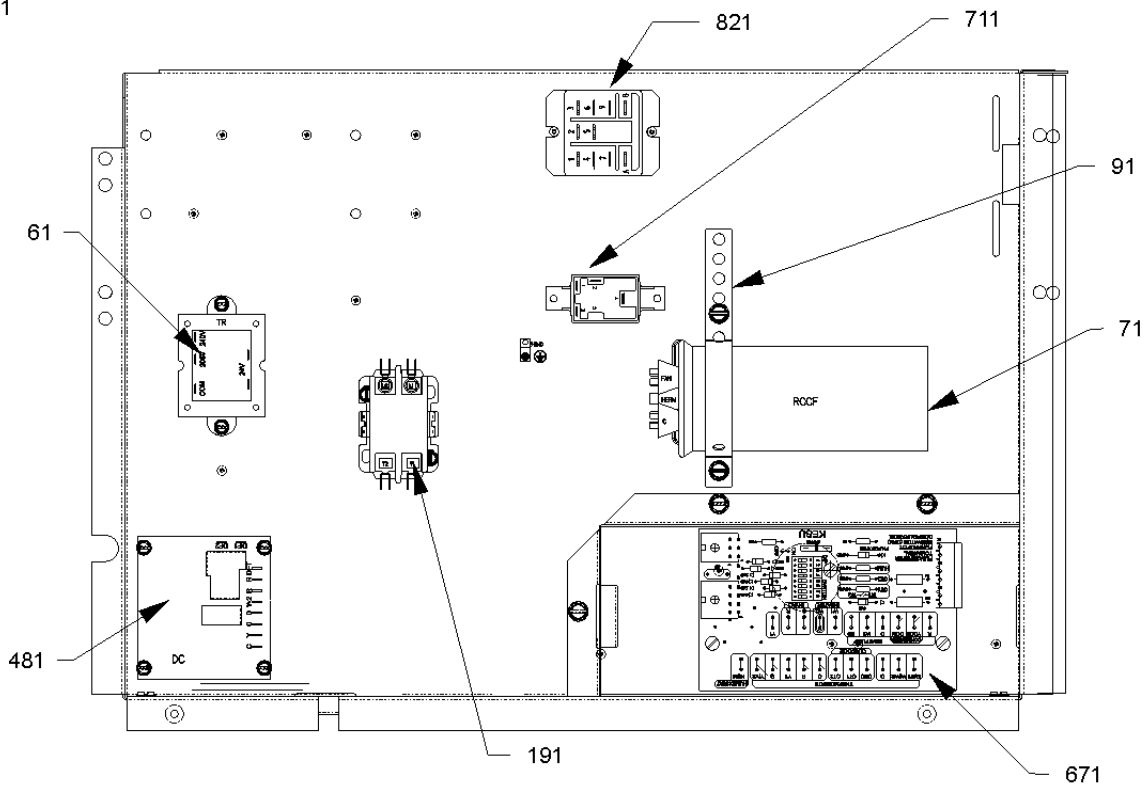
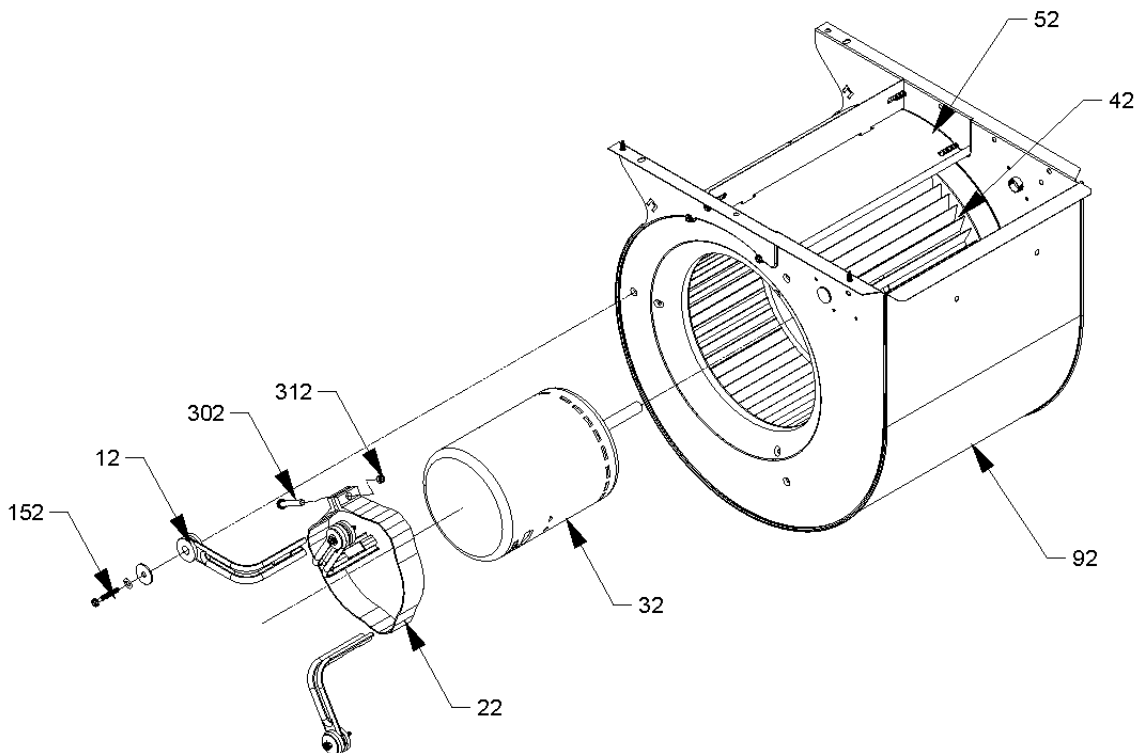


Image 2



Tubing / Coil Assemblies

Ref. Part No: No:	Description:	Ref. Part No: No:	Description:																								
Image 1:		Image 1:																									
11	ZPS51K5EPFV130 COMP, 51900/208/230/60/1 (M11, M12, M23, M24)	231	0163R00002s HEATER, CRANKCASE 230V, 40W (M5, M6, M17, M18)																								
11	ZP21K5EPFV130 COMPRESSOR 21300, 208/230/60/1 (M1, M2, M13, M14)	241	0121G00148 SINGLE COVER, DOWN DISCHARGE (QTY 2)																								
11	ZP25K5EPFV130 COMPRESSOR 25200, 208/230/60/1 (M3, M4, M15, M16)	NS	0159G00002 COMPRESSOR SCROLL HARNESS (M1, M2, M3, M4, M5, M6, M13, M14, M15, M16, M17, M18)																								
11	ZP31K5EPFV130 COMPRESSOR 31100, 208/230/60/1 (M5, M6, M17, M18)	NS	0159G00004 COMPRESSOR SCROLL HARNESS (M8, M9, M10, M11, M12, M20, M21, M22, M23, M24)																								
11	ZP34K5EPFV130 COMPRESSOR 34500, 208/230/60/1 (M7, M8, M19, M20)	NS	0159R00003P COMPRESSOR SCROLL HARNESS (M7, M19)																								
11	ZPS40K5EPFV130 COMPRESSOR 41100, 208/230/60/1 (M9, M10, M21, M22)	NS	0159G00001 COMPRESSOR SOLENOID CABLE (M9, M10, M11, M12, M21, M22, M23, M24)																								
21	B1339533 COMPRESSOR GROMMET (QTY 4)	NS	0160M00004 COMPRESSOR SOUND BLANKET (M1, M3, M5)																								
31	M0221641 TF SHOULDER SCREW (QTY 4)	NS	0160M00005 COMPRESSOR SOUND BLANKET (M7, M9, M11)																								
41	0202G00110s TUBING ASSY, EVAP COIL (M1, M3, M13, M15)	NS	B1225022 SOLENOID COIL																								
41	0202G00111s TUBING ASSY, EVAP COIL (M5, M17)	Image 2:																									
41	0202G00317 TUBING ASSY, EVAP COIL (M7, M19)	62	0130M00102 CONTROL, DEFROST																								
41	0202G00321 TUBING ASSY, EVAP COIL (M9, M11, M21, M23)	NS	0130M00106 CONTROL, DEFROST (M5, M6, M7, M8, M9, M10, M11, M12, M17, M18, M19, M20, M21, M22, M23, M24)																								
41	0202G00408 TUBING ASSY, EVAP COIL (M2, M4, M14, M16)	Expanded Model Nomenclature																									
41	0202G00409 TUBING ASSY, EVAP COIL (M6, M18)	<table border="1"> <tr><td>M1 - APH1524M41BA</td></tr> <tr><td>M2 - APH1524M41CA</td></tr> <tr><td>M3 - APH1530M41BA</td></tr> <tr><td>M4 - APH1530M41CA</td></tr> <tr><td>M5 - APH1536M41BA</td></tr> <tr><td>M6 - APH1536M41CA</td></tr> <tr><td>M7 - APH1543M41BA</td></tr> <tr><td>M8 - APH1543M41CA</td></tr> <tr><td>M9 - APH1549M41BA</td></tr> <tr><td>M10 - APH1549M41CA</td></tr> <tr><td>M11 - APH1560M41BA</td></tr> <tr><td>M12 - APH1560M41CA</td></tr> <tr><td>M13 - GPH1524M41BA</td></tr> <tr><td>M14 - GPH1524M41CA</td></tr> <tr><td>M15 - GPH1530M41BA</td></tr> <tr><td>M16 - GPH1530M41CA</td></tr> <tr><td>M17 - GPH1536M41BA</td></tr> <tr><td>M18 - GPH1536M41CA</td></tr> <tr><td>M19 - GPH1543M41BA</td></tr> <tr><td>M20 - GPH1543M41CA</td></tr> <tr><td>M21 - GPH1549M41BA</td></tr> <tr><td>M22 - GPH1549M41CA</td></tr> <tr><td>M23 - GPH1560M41BA</td></tr> <tr><td>M24 - GPH1560M41CA</td></tr> </table>		M1 - APH1524M41BA	M2 - APH1524M41CA	M3 - APH1530M41BA	M4 - APH1530M41CA	M5 - APH1536M41BA	M6 - APH1536M41CA	M7 - APH1543M41BA	M8 - APH1543M41CA	M9 - APH1549M41BA	M10 - APH1549M41CA	M11 - APH1560M41BA	M12 - APH1560M41CA	M13 - GPH1524M41BA	M14 - GPH1524M41CA	M15 - GPH1530M41BA	M16 - GPH1530M41CA	M17 - GPH1536M41BA	M18 - GPH1536M41CA	M19 - GPH1543M41BA	M20 - GPH1543M41CA	M21 - GPH1549M41BA	M22 - GPH1549M41CA	M23 - GPH1560M41BA	M24 - GPH1560M41CA
M1 - APH1524M41BA																											
M2 - APH1524M41CA																											
M3 - APH1530M41BA																											
M4 - APH1530M41CA																											
M5 - APH1536M41BA																											
M6 - APH1536M41CA																											
M7 - APH1543M41BA																											
M8 - APH1543M41CA																											
M9 - APH1549M41BA																											
M10 - APH1549M41CA																											
M11 - APH1560M41BA																											
M12 - APH1560M41CA																											
M13 - GPH1524M41BA																											
M14 - GPH1524M41CA																											
M15 - GPH1530M41BA																											
M16 - GPH1530M41CA																											
M17 - GPH1536M41BA																											
M18 - GPH1536M41CA																											
M19 - GPH1543M41BA																											
M20 - GPH1543M41CA																											
M21 - GPH1549M41BA																											
M22 - GPH1549M41CA																											
M23 - GPH1560M41BA																											
M24 - GPH1560M41CA																											
41	0202G00410 TUBING ASSY, EVAP COIL (M8, M20)																										
41	0202G00411 TUBING ASSY, EVAP COIL (M10, M12, M22, M24)																										
71	0201G00276 TUBING ASSY, COND COIL (M1, M3, M13, M15)																										
71	0201G00316 TUBING ASSY, COND COIL (M10, M12, M22, M24)																										
71	0201G00317 TUBING ASSY, COND COIL (M2, M14)																										
71	0201G00318 TUBING ASSY, COND COIL (M4, M16)																										
71	0201G00319 TUBING ASSY, COND COIL (M8, M20)																										
71	0201G00098 TUBING ASSY, COND COIL 32" (M5, M6, M17, M18)																										
71	0201G00083 TUBING ASSY, COND COIL 40" (M7, M9, M11, M19, M21, M23)																										
111	0151M00019s REVERSING VALVE (M1, M2, M3, M4, M13, M14, M15, M16)																										
111	0151M00021 REVERSING VALVE (M5, M6, M7, M8, M9, M10, M11, M12, M17, M18, M19, M20, M21, M22, M23, M24)																										
131	0130M00074 CUT-OUT SWITCH, HIGH PRESSURE																										
141	0130M00075 CUT-OUT SWITCH, LOW PRESSURE																										
181	B1226206 ACCUMULATOR (M1, M2, M3, M4, M13, M14, M15, M16)																										
181	B1226207 ACCUMULATOR .875 (M5, M6, M7, M8, M9, M10, M11, M12, M17, M18, M19, M20, M21, M22, M23, M24)																										
201	0151G00003 VALVE, TXV R-410A (M1, M2, M3, M4, M13, M14, M15, M16)																										
201	0151M00029 VALVE-TXV (M5, M6, M17, M18)																										
201	0151M00030 VALVE-TXV (M9, M10, M11, M12, M21, M22, M23, M24)																										
211	20485201 BI-FLOW FILTER DRIER (M1, M2, M3, M4, M5, M6, M7, M9, M11, M13, M14, M15, M16, M17, M18, M19, M21, M23)																										
221	0230G00005 CRANKCASE HEATER SWITCH (M5, M6, M7, M8, M9, M10, M11, M12, M17, M18, M19, M20, M21, M22, M23, M24)																										
231	0130L00017s CRANK CASE HEATER-70W 240V (M11, M12, M23, M24)																										
231	0163R00003s HEATER, CRANKCASE 230V 40W (M7, M8, M9, M10, M19, M20, M21, M22)																										