



Air Conditioning & Heating

GPH15M

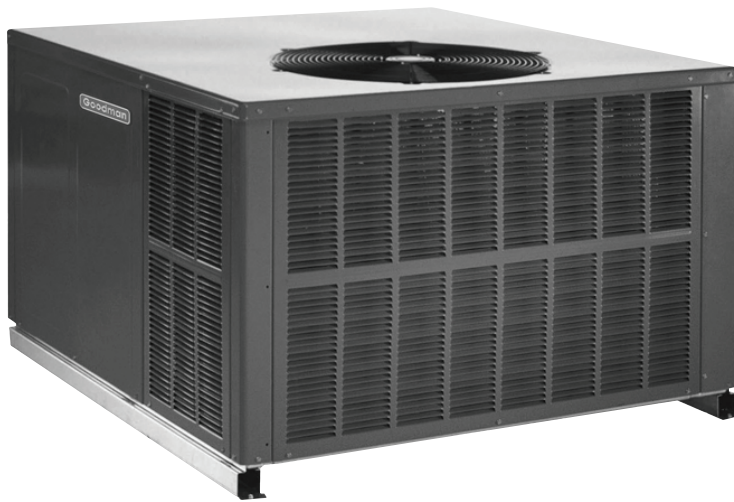
2- TO 5-TON PACKAGED HEAT PUMPS UP TO 15 SEER & 8.0 HSPF

COOLING CAPACITY: 24,000 - 55,500 BTU/h

HEATING CAPACITY: 23,400 - 56,000 BTU/h

Contents

Nomenclature	2
Product Specifications	3
Expanded Cooling Data	4
Expanded Heating Data	20
Airflow Data	23
Auxiliary Heating Data	14
Heat Kit Electrical Specs	26
Dimensions	27
Wiring Diagrams	28
Accessories	31



Standard Features

- High-efficiency compressor with internal relief valve
- Fully charged R-410A system
- EEM (X-13) blower motor
- Liquid-line filter drier
- Convertible airflow: horizontal or downflow
- Copper tube/aluminum fin coils
- Electric heat kit available as a field-installed option
- AHRI Certified; ETL Listed

Cabinet Features

- Heavy-gauge galvanized-steel cabinet with attractive Architectural Gray powder-paint finish
- Fully insulated air-handling compartment with convenient access panels
- Louvered condenser coil protection
- One footprint; two heights



* Complete warranty details available from your local dealer or at www.goodmanmfg.com. To receive the 10-Year Parts Limited Warranty, online registration must be completed within 60 days of installation. Online registration is not required in California or Quebec.

NOMENCLATURE

	G	P	H	15	36	M	4	1	A	*	
	1	2	3	4,5	6,7	8	9	10	11	12	
Brand	G Goodman or Distinctions™										Engineering
											Minor Revision
Product Category	P Packaged Unit										Engineering
											Major Revision
Type	H Heat Pump C Air Conditioner										Voltage Designator
											1 208-230/1/60 3 208-230/3/60
Efficiency	13 13 SEER 15 15 SEER 14 14 SEER 16 16 SEER										Refrigerant
											2 R-22 4 R-410A
Nominal Capacity	24 2 Tons 42 3½ Tons 30 2½ tons 48 4 Tons 36 3 Tons 60 5 Tons										Configuration
											H Horizontal M Multi-position



SPECIFICATIONS

	GPH15 24M41B*	GPH15 30M41B*	GPH15 36M41B*	GPH15 43M41B*	GPH15 49M41B*	GPH15 60M41B*
COOLING CAPACITY						
Total BTU/h	24,000	29,000	35,400	40,000	46,000	55,500
Sensible BTU/h	18,000	22,200	26,700	28,000	31,000	39,300
SEER / EER	15.0/ 12.0	14.5/ 11.5	14.5/ 11.5	15.0/ 12.0	15.0/ 11.7	14.0/ 10.2
Decibels	76	76	76	78	78	78
AHRI #s	5677908	5677909	5677910	5677911	5679624	5679625
HEATING CAPACITY						
BTU/h (47°F)	23,400	27,400	35,400	39,000	45,500	56,000
C.O.P (47°F)	3.6	3.5	3.4	3.7	3.6	3.4
BTU/h (17°F)	12,400	15,200	18,600	22,000	25,000	31,400
C.O.P (17°F)	2.0	2.2	2.4	2.3	2.2	2.2
HSPF	8.0	8.0	8.0	8.0	8.0	8.0
EVAPORATOR MOTOR						
Type	EEM	EEM	EEM	EEM	EEM	EEM
Wheel (D x W)	10 x 9	10 x 9	10 x 9	10 x 9	10 x 9	10 x 9
Nominal Cooling CFM	860	1,000	1,200	1,300	1,350	1,800
FLA	4.1	4.1	4.1	2.9	2.9	7.6
No. of Speeds	5	5	5	5	5	5
Horsepower - RPM	½ -1,050	½ -1,050	½ -1,050	¾ - 1,050	¾ - 1,050	1-1,050
EVAPORATOR COIL						
Face Area (ft ²)	4.5	4.5	4.5	6.2	6.2	6.2
Rows Deep/ Fin per Inch	3/ 14	3/ 14	4/ 14	4/ 14	4/ 14	4/ 14
Expansion Device	TXV	TXV	TXV	TXV	TXV	TXV
Drain Size (NPT)	¾"	¾"	¾"	¾"	¾"	¾"
R-410A Refrigerant Charge (oz.)	113	128	174	233	214	207
CONDENSER FAN / COIL						
Horsepower - RPM	¼ - 850	¼ - 850	¼ - 850	¼ - 1,075	¼ - 1,075	½ - 1,075
FLA/LRA	1.5/ 3.0	1.5/ 3.0	1.5/ 3.0	1.4 / 2.9	1.4 / 2.9	2.4/ 5.2
Fan Diameter / # Fan Blades	22 / 3	22 / 3	22 / 3	22 / 3	22 / 3	22 / 3
Face Area (ft ²)	17.2	17.2	17.2	21.2	21.2	21.2
Rows Deep/ Fin per Inch	1 / 22	1 / 22	2 / 16	2 / 16	2 / 16	2 / 16
COMPRESSOR						
Quantity	1	1	1	1	1	1
Type	Scroll	Scroll	Scroll	Scroll	Scroll	Scroll
Stage	Single	Single	Single	Single	Two	Two
ELECTRICAL DATA						
Voltage/ Phase/ Hz	208-230/1/60	208-230/1/60	208-230/1/60	208-230/1/60	208-230/1/60	208-230/1/60
Compressor RLA/ LRA	12.8 / 58	14.1 / 73	16.7 / 79	17.9 / 112	21.2 / 96	25.6 / 118
Indoor Blower FLA	4.1	4.1	4.1	2.9	2.9	7.6
Total Unit Amps	18.4	19.7	22.3	22.2	25.5	25.6
Min. Circuit Ampacity ¹	21.6	23.2	26.5	26.7	30.8	42.0
Max. Overcurrent Protection ²	30	35	40	40	50	60
SHIPPING WEIGHT (LBS)	376	385	438	492	490	503

¹ Wire size should be determined in accordance with National Electrical Codes. Extensive wire runs will require larger wire sizes.

² May use fuses or HACR-type circuit breakers of the same size as noted.

Note: Always check the S&R plate for electrical data on the unit being installed.

EXPANDED COOLING DATA — GPH1524M41**

IDB		OUTDOOR AMBIENT TEMPERATURE																																			
		65°F						75°F						85°F						95°F						105°F						115°F					
		59	63	67	71	75	79	59	63	67	71	75	79	59	63	67	71	75	79	59	63	67	71	75	79	59	63	67	71	75	79	59	63	67	71	75	79
MBh	23.5	24.4	26.7	-	23.0	23.8	26.1	-	22.4	23.2	25.5	-	21.9	22.7	24.8	-	20.8	21.5	23.6	-	20.8	21.5	23.6	-	20.8	21.5	23.6	-	19.3	20.0	21.9	-					
S/T	0.77	0.64	0.45	-	0.80	0.67	0.46	-	0.82	0.68	0.47	-	0.85	0.71	0.49	-	0.88	0.73	0.51	-	0.88	0.73	0.51	-	0.88	0.73	0.51	-	0.88	0.74	0.51	-					
ΔT	17	15	11	-	17	15	11	-	17	15	11	-	18	15	12	-	17	15	11	-	17	15	11	-	17	15	11	-	16	14	11	-					
kW	1.60	1.63	1.68	-	1.72	1.76	1.81	-	1.82	1.86	1.92	-	1.91	1.96	2.02	-	1.99	2.04	2.10	-	1.99	2.04	2.10	-	1.99	2.04	2.10	-	2.06	2.10	2.17	-					
Amps	7.5	7.7	7.9	-	8.0	8.2	8.4	-	8.5	8.7	8.9	-	8.5	8.7	8.9	-	9.0	9.2	9.4	-	9.0	9.2	9.4	-	9.5	9.7	9.9	-	9.9	10.1	10.4	-					
Hi PR	216	232	245	-	242	261	275	-	275	296	313	-	314	337	356	-	353	380	401	-	353	380	401	-	353	380	401	-	390	419	443	-					
Lo PR	106	113	124	-	112	120	131	-	117	124	136	-	123	131	143	-	129	137	149	-	129	137	149	-	129	137	149	-	133	142	155	-					
MBh	22.8	23.7	25.9	-	22.3	23.1	25.3	-	21.8	22.6	24.7	-	21.2	22.0	24.1	-	20.2	20.9	22.9	-	20.2	20.9	22.9	-	20.2	20.9	22.9	-	18.7	19.4	21.2	-					
S/T	0.73	0.61	0.43	-	0.76	0.64	0.44	-	0.78	0.65	0.45	-	0.81	0.67	0.47	-	0.84	0.70	0.48	-	0.84	0.70	0.48	-	0.84	0.70	0.48	-	0.84	0.70	0.49	-					
ΔT	18	16	12	-	18	16	12	-	18	16	12	-	18	16	12	-	18	16	12	-	18	16	12	-	18	16	12	-	17	15	11	-					
kW	1.59	1.62	1.67	-	1.71	1.74	1.80	-	1.81	1.85	1.90	-	1.90	1.94	2.00	-	1.98	2.02	2.08	-	1.98	2.02	2.08	-	1.98	2.02	2.08	-	2.04	2.09	2.15	-					
Amps	7.5	7.6	7.8	-	8.0	8.1	8.3	-	8.5	8.6	8.9	-	8.9	9.1	9.4	-	9.4	9.6	9.8	-	9.4	9.6	9.8	-	9.4	9.6	9.8	-	9.8	10.0	10.3	-					
Hi PR	214	230	243	-	240	258	272	-	273	293	310	-	310	334	353	-	349	376	397	-	349	376	397	-	349	376	397	-	386	415	439	-					
Lo PR	105	112	122	-	111	118	129	-	116	123	134	-	122	129	141	-	127	135	148	-	127	135	148	-	127	135	148	-	132	140	153	-					
MBh	21.1	21.8	23.9	-	20.6	21.3	23.4	-	20.1	20.8	22.8	-	19.6	20.3	22.3	-	18.6	19.3	21.1	-	18.6	19.3	21.1	-	18.6	19.3	21.1	-	17.3	17.9	19.6	-					
S/T	0.71	0.59	0.41	-	0.73	0.61	0.42	-	0.75	0.63	0.44	-	0.78	0.65	0.45	-	0.81	0.67	0.47	-	0.81	0.67	0.47	-	0.81	0.67	0.47	-	0.81	0.68	0.47	-					
ΔT	18	16	12	-	19	16	12	-	19	16	12	-	19	16	12	-	18	16	12	-	18	16	12	-	18	16	12	-	17	15	11	-					
kW	1.55	1.59	1.63	-	1.67	1.70	1.75	-	1.77	1.80	1.86	-	1.85	1.89	1.95	-	1.93	1.97	2.03	-	1.93	1.97	2.03	-	1.93	1.97	2.03	-	1.99	2.04	2.10	-					
Amps	7.3	7.5	7.7	-	7.8	7.9	8.1	-	8.3	8.5	8.7	-	8.7	8.9	9.1	-	9.2	9.4	9.6	-	9.2	9.4	9.6	-	9.2	9.4	9.6	-	9.6	9.8	10.1	-					
Hi PR	207	223	235	-	232	250	264	-	264	285	300	-	301	324	342	-	339	365	385	-	339	365	385	-	339	365	385	-	374	403	425	-					
Lo PR	102	109	119	-	108	115	125	-	112	119	130	-	118	125	137	-	124	131	143	-	124	131	143	-	124	131	143	-	128	136	148	-					

MBh	23.9	24.6	26.7	28.6	23.4	24.1	26.0	27.9	22.8	23.5	25.4	27.3	22.2	22.9	24.8	26.6	21.1	21.8	23.6	25.3	19.6	20.2	21.8	23.4
S/T	0.88	0.78	0.59	0.38	0.91	0.81	0.61	0.40	0.93	0.83	0.63	0.41	0.96	0.86	0.65	0.42	1.00	0.89	0.67	0.43	1.00	0.90	0.68	0.44
ΔT	20	18	15	10	20	19	15	10	20	19	15	10	20	19	15	11	20	18	15	10	19	17	14	10
kW	1.62	1.65	1.70	1.75	1.73	1.77	1.82	1.88	1.84	1.88	1.94	2.00	1.93	1.97	2.03	2.10	2.01	2.05	2.12	2.19	2.08	2.12	2.19	2.26
Amps	7.6	7.7	7.9	8.2	8.1	8.2	8.4	8.7	8.6	8.8	9.0	9.3	9.1	9.3	9.5	9.8	9.5	9.7	10.0	10.3	10.0	10.2	10.5	10.8
Hi PR	218	235	248	258	245	263	278	290	278	299	316	330	317	341	360	375	356	383	405	422	394	424	447	467
Lo PR	107	114	125	133	114	121	132	140	118	126	137	146	124	132	144	153	130	138	151	161	134	143	156	166
MBh	23.2	23.9	25.9	27.8	22.7	23.4	25.3	27.1	22.1	22.8	24.7	26.5	21.6	22.2	24.1	25.8	20.5	21.1	22.9	24.5	19.0	19.6	21.2	22.7
S/T	0.84	0.75	0.57	0.36	0.87	0.77	0.59	0.38	0.89	0.79	0.60	0.39	0.92	0.82	0.62	0.40	0.95	0.85	0.64	0.41	0.96	0.86	0.65	0.42
ΔT	21	19	16	11	21	19	16	11	21	19	16	11	21	19	16	11	21	19	16	11	19	18	15	10
kW	1.60	1.64	1.68	1.74	1.72	1.76	1.81	1.87	1.82	1.86	1.92	1.98	1.92	1.96	2.02	2.08	1.99	2.04	2.10	2.17	2.06	2.10	2.17	2.24
Amps	7.5	7.7	7.9	8.1	8.0	8.2	8.4	8.6	8.5	8.7	8.9	9.2	9.0	9.2	9.4	9.7	9.5	9.7	9.9	10.2	9.9	10.1	10.4	10.7
Hi PR	216	232	245	256	242	261	275	287	275	296	313	326	314	338	356	372	353	380	401	418	390	420	443	462
Lo PR	106	113	124	132	112	120	131	139	117	124	136	145	123	131	143	152	129	137	149	159	133	142	155	165
MBh	21.4	22.1	23.9	25.6	20.9	21.6	23.3	25.0	20.4	21.0	22.8	24.4	19.9	20.5	22.2	23.8	18.9	19.5	21.1	22.7	17.5	18.1	19.6	21.0
S/T	0.81	0.72	0.55	0.35	0.83	0.75	0.56	0.36	0.86	0.77	0.58	0.37	0.88	0.79	0.60	0.38	0.92	0.82	0.62	0.40	0.92	0.83	0.63	0.40
ΔT	21	19	16	11	21	20	16	11	21	20	16	11	22	20	16	11	21	20	16	11	20	18	15	10
kW	1.57	1.60	1.65	1.70	1.68	1.71	1.77	1.82	1.78	1.82	1.87	1.93	1.87	1.91	1.97	2.03	1.94	1.99	2.05	2.12	2.01	2.05	2.12	2.19
Amps	7.4	7.5	7.7	7.9	7.8	8.0	8.2	8.4	8.4	8.5	8.7	9.0	8.8	9.0	9.2	9.5	9.3	9.4	9.7	10.0	9.7	9.9	10.2	10.5
Hi PR	209	225	238	248	235	253	267	278	267	287	304	317	304	327	346	361	342	368	389	406	378	407	430	448
Lo PR	103	110	120	128	109	116	127	135	113	121	132	140	119	127	138	147	125	133	145	154	129	137	150	160

kW = Total system power
Amps = outdoor unit amps (comp. + fans)

Shaded area reflects ACCA (TVA) conditions

IDB: Entering Indoor Dry Bulb Temperature
High & low pressures are measured at the liquid & suction access fittings.

EXPANDED COOLING DATA — GPH1530M41**

IDB	AIRFLOW	OUTDOOR AMBIENT TEMPERATURE																									
		65°F				75°F				85°F				95°F				105°F				115°F					
		59	63	67	71	59	63	67	71	59	63	67	71	59	63	67	71	59	63	67	71	59	63	67	71		
70	1125	MBh	28.4	29.5	32.3	-	27.1	28.1	30.8	-	26.4	27.4	30.0	-	25.1	26.0	28.5	-	23.3	24.1	26.4	-	23.3	24.1	26.4	-	
		S/T	0.77	0.64	0.45	-	0.80	0.67	0.46	-	0.82	0.68	0.47	-	0.85	0.71	0.49	-	0.88	0.73	0.51	-	0.88	0.74	0.51	-	
		ΔT	18	15	12	-	18	16	12	-	18	16	12	-	18	16	12	-	17	15	11	-	17	15	11	-	
	1000	kW	1.88	1.92	1.99	-	2.03	2.07	2.14	-	2.16	2.21	2.28	-	2.27	2.32	2.40	-	2.37	2.42	2.50	-	2.45	2.51	2.59	-	
		Amps	8.1	8.2	8.5	-	8.6	8.8	9.1	-	9.3	9.5	9.8	-	9.9	10.1	10.4	-	10.5	10.7	11.0	-	11.0	11.3	11.6	-	
		Hi PR	229	246	260	-	257	276	292	-	292	314	332	-	333	358	378	-	374	403	425	-	414	445	470	-	
	875	Lo PR	109	116	127	-	116	123	134	-	120	128	139	-	126	134	146	-	132	141	154	-	137	145	159	-	
		MBh	27.6	28.6	31.3	-	26.3	27.3	29.9	-	25.7	26.6	29.1	-	24.4	25.3	27.7	-	22.6	23.4	25.6	-	22.6	23.4	25.6	-	
		S/T	0.73	0.61	0.43	-	0.76	0.64	0.44	-	0.78	0.65	0.45	-	0.81	0.67	0.47	-	0.84	0.70	0.48	-	0.84	0.70	0.49	-	
	75	1125	ΔT	19	16	12	-	19	16	12	-	19	16	12	-	19	16	12	-	18	15	12	-	18	15	12	-
			kW	1.90	1.94	2.00	2.07	2.05	2.09	2.16	2.23	2.18	2.22	2.30	2.37	2.29	2.34	2.42	2.50	2.39	2.44	2.52	2.61	2.47	2.53	2.61	2.70
			Amps	8.1	8.3	8.5	8.8	8.7	8.9	9.2	9.5	9.4	9.6	9.9	10.2	10.0	10.2	10.5	10.9	10.6	10.8	11.1	11.5	11.1	11.4	11.7	12.2
1000		Hi PR	231	249	263	274	259	279	295	308	295	318	335	350	336	362	382	398	378	407	430	448	418	450	475	495	
		Lo PR	110	118	128	137	117	124	136	144	121	129	141	150	127	136	148	158	134	142	155	165	138	147	160	171	
		MBh	28.1	28.9	31.3	33.6	27.4	28.2	30.5	32.8	26.8	27.5	29.8	32.0	26.1	26.9	29.1	31.2	24.8	25.5	27.6	29.7	23.0	23.6	25.6	27.5	
875		S/T	0.84	0.75	0.57	0.36	0.87	0.77	0.59	0.38	0.89	0.79	0.60	0.39	0.92	0.82	0.62	0.40	0.95	0.85	0.64	0.41	0.96	0.86	0.65	0.42	
		ΔT	22	20	16	11	22	20	16	11	22	20	16	11	22	20	17	11	22	20	16	11	20	19	15	11	
		kW	1.88	1.92	1.99	2.05	2.03	2.07	2.14	2.21	2.16	2.21	2.28	2.35	2.27	2.32	2.40	2.48	2.37	2.42	2.50	2.59	2.45	2.51	2.59	2.68	
75		1000	Amps	8.1	8.2	8.5	8.7	8.6	8.8	9.1	9.4	9.3	9.5	9.8	10.1	9.9	10.1	10.4	10.8	10.5	10.7	11.0	11.4	11.0	11.3	11.6	12.0
			Hi PR	229	246	260	271	257	276	292	305	292	314	332	346	333	358	378	394	374	403	425	444	414	445	470	490
			Lo PR	109	116	127	135	116	123	134	143	120	128	139	149	126	134	147	156	132	141	154	164	137	145	159	169
75	875	MBh	25.9	26.7	28.9	31.0	25.3	26.0	28.2	30.3	24.7	25.4	27.5	29.5	24.1	24.8	26.8	28.8	22.9	23.6	25.5	27.4	21.2	21.8	23.6	25.4	
		S/T	0.81	0.72	0.55	0.35	0.83	0.75	0.56	0.36	0.86	0.77	0.58	0.37	0.88	0.79	0.60	0.38	0.92	0.82	0.62	0.40	0.92	0.83	0.63	0.40	
		ΔT	22	20	17	11	22	20	17	12	22	20	17	12	22	21	17	12	22	20	17	11	21	19	16	11	
75	1125	kW	1.84	1.88	1.94	2.00	1.98	2.02	2.09	2.16	2.11	2.15	2.22	2.30	2.22	2.26	2.34	2.42	2.31	2.36	2.44	2.52	2.39	2.44	2.53	2.61	
		Amps	7.9	8.0	8.3	8.5	8.4	8.6	8.9	9.2	9.1	9.3	9.5	9.9	9.6	9.8	10.1	10.5	10.2	10.4	10.7	11.1	10.8	11.0	11.3	11.7	
		Hi PR	222	239	252	263	249	268	283	295	283	305	322	336	323	347	367	383	363	391	413	430	401	432	456	476	
75	875	Lo PR	106	113	123	131	112	119	130	139	116	124	135	144	122	130	142	151	128	136	149	159	133	141	154	164	

IDB: Entering Indoor Dry Bulb Temperature
 High & low pressures are measured at the liquid & suction access fittings.
 Shaded area reflects ACCA (TVA) conditions
 kW = Total system power
 Amps = outdoor unit amps (comp. + fans)

EXPANDED COOLING DATA — GPH1530M41** (CONT.)

IDB	AIRFLOW	OUTDOOR AMBIENT TEMPERATURE																									
		65°F				75°F				85°F				95°F				105°F				115°F					
		59	63	67	71	59	63	67	71	59	63	67	71	59	63	67	71	59	63	67	71	59	63	67	71		
80	1125	MBh	29.4	30.1	32.1	34.3	28.7	29.4	31.4	33.5	28.0	28.7	30.6	32.7	27.4	28.0	29.9	31.9	26.0	26.6	28.4	30.3	24.1	24.6	26.3	28.1	
		S/T	0.96	0.90	0.73	0.55	1.00	0.93	0.76	0.57	1.00	0.96	0.78	0.58	1.00	1.00	0.80	0.60	1.00	1.00	0.83	0.62	1.00	1.00	0.84	0.63	
	1000	ΔT	23	22	19	15	23	22	19	16	23	22	19	16	22	23	20	16	21	22	19	15	20	20	18	14	
		kW	1.91	1.96	2.02	2.08	2.06	2.11	2.18	2.25	2.19	2.24	2.32	2.39	2.31	2.36	2.44	2.52	2.41	2.46	2.55	2.63	2.49	2.55	2.64	2.73	
	875	MBh	8.2	8.4	8.6	8.9	8.8	9.0	9.2	9.5	9.5	9.7	10.0	10.3	10.0	10.3	10.6	11.0	10.6	10.9	11.2	11.6	11.2	11.5	11.8	12.3	
		S/T	0.92	0.86	0.70	0.52	0.95	0.89	0.72	0.54	0.97	0.91	0.74	0.56	1.00	0.94	0.77	0.57	1.00	0.98	0.80	0.60	1.00	0.99	0.80	0.60	
	85	1125	ΔT	24	23	20	16	24	23	20	16	24	23	20	16	24	24	20	16	23	23	20	16	21	22	19	15
			kW	1.90	1.94	2.00	2.07	2.05	2.09	2.16	2.23	2.18	2.22	2.30	2.37	2.29	2.34	2.42	2.50	2.39	2.44	2.52	2.61	2.47	2.53	2.61	2.70
		1000	MBh	8.1	8.3	8.5	8.8	8.7	8.9	9.2	9.5	9.4	9.6	9.9	10.2	10.0	10.2	10.5	10.9	10.6	10.8	11.1	11.5	11.1	11.4	11.7	12.2
			S/T	0.88	0.83	0.67	0.50	0.92	0.86	0.70	0.52	0.94	0.88	0.72	0.54	0.97	0.91	0.74	0.55	1.01	0.94	0.77	0.57	1.01	0.95	0.77	0.58
875		ΔT	24	23	20	16	25	24	21	17	25	24	21	17	25	24	21	17	25	24	21	16	23	22	19	15	
		kW	1.85	1.89	1.95	2.02	2.00	2.04	2.11	2.17	2.12	2.17	2.24	2.31	2.23	2.28	2.36	2.44	2.33	2.38	2.46	2.54	2.41	2.46	2.55	2.63	
1125		MBh	7.9	8.1	8.3	8.6	8.5	8.7	8.9	9.2	9.1	9.3	9.6	10.0	9.7	9.9	10.2	10.6	10.3	10.5	10.8	11.2	10.8	11.1	11.4	11.8	
		S/T	0.85	0.80	0.64	0.47	0.89	0.83	0.67	0.50	0.91	0.85	0.69	0.51	0.94	0.88	0.71	0.53	0.96	0.90	0.73	0.54	0.98	0.92	0.74	0.55	
1000		ΔT	22	21	18	14	22	21	18	14	22	21	18	14	22	21	18	14	22	21	18	14	21	20	17	13	
		kW	2.24	2.41	2.55	2.66	2.52	2.71	2.86	2.98	2.86	3.08	3.25	3.39	3.26	3.51	3.71	3.86	3.67	3.95	4.17	4.35	4.05	4.36	4.61	4.80	
875	MBh	107	114	124	133	113	120	132	140	118	125	137	146	124	132	144	153	130	138	150	160	134	143	156	166		
	S/T	0.88	0.83	0.67	0.50	0.92	0.86	0.70	0.52	0.94	0.88	0.72	0.54	0.97	0.91	0.74	0.55	1.01	0.94	0.77	0.57	1.01	0.95	0.77	0.58		
85	1125	ΔT	24	24	23	20	24	24	23	20	23	24	23	20	23	23	20	16	22	22	23	20	20	20	21	19	
		kW	1.93	1.97	2.03	2.10	2.08	2.13	2.19	2.27	2.21	2.26	2.34	2.41	2.33	2.38	2.46	2.54	2.43	2.48	2.57	2.65	2.52	2.57	2.66	2.75	
	1000	MBh	8.2	8.4	8.7	9.0	8.8	9.0	9.3	9.6	9.5	9.7	10.0	10.4	10.1	10.4	10.7	11.1	10.7	11.0	11.3	11.7	11.3	11.6	11.9	12.4	
		S/T	0.85	0.80	0.64	0.47	0.89	0.83	0.67	0.50	0.91	0.85	0.69	0.51	0.94	0.88	0.71	0.53	0.96	0.90	0.73	0.54	0.98	0.92	0.74	0.55	
	875	ΔT	26	25	24	21	26	26	24	21	25	26	24	21	25	25	24	21	24	24	24	21	22	22	22	19	
		kW	1.91	1.96	2.02	2.08	2.06	2.11	2.18	2.25	2.19	2.24	2.32	2.39	2.31	2.36	2.44	2.52	2.41	2.46	2.55	2.63	2.49	2.55	2.64	2.73	
	1125	MBh	8.2	8.4	8.6	8.9	8.8	9.0	9.2	9.5	9.5	9.7	10.0	10.3	10.0	10.3	10.6	11.0	10.6	10.9	11.2	11.6	11.2	11.5	11.8	12.3	
		S/T	0.85	0.80	0.64	0.47	0.89	0.83	0.67	0.50	0.91	0.85	0.69	0.51	0.94	0.88	0.71	0.53	0.96	0.90	0.73	0.54	0.98	0.92	0.74	0.55	
	1000	ΔT	23	22	19	15	23	22	19	16	23	22	19	16	22	23	20	16	21	22	19	15	20	20	18	14	
		kW	1.91	1.96	2.02	2.08	2.06	2.11	2.18	2.25	2.19	2.24	2.32	2.39	2.31	2.36	2.44	2.52	2.41	2.46	2.55	2.63	2.49	2.55	2.64	2.73	
875	MBh	234	251	265	277	262	282	298	311	298	321	339	353	340	365	386	402	382	411	434	453	422	454	480	500		
	S/T	0.92	0.86	0.70	0.52	0.95	0.89	0.72	0.54	0.97	0.91	0.74	0.56	1.00	0.94	0.77	0.57	1.00	0.98	0.80	0.60	1.00	0.99	0.80	0.60		
1125	ΔT	112	119	130	138	118	125	137	146	123	130	142	152	129	137	149	159	135	143	157	167	140	148	162	173		
	kW	28.6	29.2	31.2	33.3	27.9	28.5	30.5	32.6	27.2	27.8	29.7	31.8	26.6	27.1	29.0	31.0	25.2	25.8	27.6	29.5	23.4	23.9	25.5	27.3		
1000	MBh	26.8	27.3	28.6	30.5	26.2	26.7	28.0	29.8	25.6	26.1	27.3	29.1	24.9	25.4	26.6	28.4	23.7	24.2	25.3	27.0	22.0	22.4	23.4	25.0		
	S/T	0.93	0.89	0.81	0.65	0.96	0.93	0.84	0.68	0.98	0.95	0.86	0.70	1.00	0.98	0.88	0.72	1.00	1.00	0.92	0.74	1.00	1.00	0.93	0.75		
875	ΔT	26	26	24	21	26	26	25	21	26	26	25	21	26	26	25	21	25	25	24	21	23	24	23	20		
	kW	1.87	1.91	1.97	2.03	2.01	2.06	2.12	2.19	2.14	2.19	2.26	2.33	2.25	2.30	2.38	2.46	2.35	2.40	2.48	2.56	2.43	2.49	2.57	2.66		
1125	MBh	8.0	8.2	8.4	8.7	8.6	8.7	9.0	9.3	9.2	9.4	9.7	10.0	9.8	10.0	10.3	10.7	10.4	10.6	10.9	11.3	10.9	11.2	11.5	11.9		
	S/T	0.85	0.80	0.64	0.47	0.89	0.83	0.67	0.50	0.91	0.85	0.69	0.51	0.94	0.88	0.71	0.53	0.96	0.90	0.73	0.54	0.98	0.92	0.74	0.55		
1000	ΔT	22	21	18	14	22	21	18	14	22	21	18	14	22	21	18	14	22	21	18	14	21	20	17	13		
	kW	2.27	2.44	2.57	2.69	2.54	2.74	2.89	3.01	2.89	3.11	3.29	3.43	3.29	3.54	3.74	3.90	3.71	3.99	4.21	4.39	4.09	4.41	4.65	4.85		
875	MBh	108	115	126	134	114	122	133	141	119	126	138	147	125	133	145	154	131	139	152	162	135	144	157	167		
	S/T	0.88	0.83	0.67	0.50	0.92	0.86	0.70	0.52	0.94	0.88	0.72	0.54	0.97	0.91	0.74	0.55	1.01	0.94	0.77	0.57	1.01	0.95	0.77	0.58		

IDB: Entering Indoor Dry Bulb Temperature
 High & low pressures are measured at the liquid & suction access fittings.
 Shaded area reflects AHRI (TVA) conditions
 kW = Total system power
 Amps = outdoor unit amps (comp. + fans)

EXPANDED COOLING DATA — GPH1536M41**

IDB	AIRFLOW	OUTDOOR AMBIENT TEMPERATURE												ENTERING INDOOR WET BULB TEMPERATURE													
		65°F				75°F				85°F				95°F				105°F				115°F					
		59	63	67	71	59	63	67	71	59	63	67	71	59	63	67	71	59	63	67	71	59	63	67	71		
70	1350	MBh	34.6	35.9	39.3	-	33.8	35.1	38.4	-	33.0	34.2	37.5	-	32.2	33.4	36.6	-	30.6	31.7	34.8	-	28.4	29.4	32.2	-	
		S/T	0.76	0.64	0.44	-	0.79	0.66	0.46	-	0.81	0.68	0.47	-	0.84	0.70	0.48	-	0.87	0.73	0.50	-	0.88	0.73	0.51	-	
		ΔT	18	16	12	-	18	16	12	-	18	16	12	-	18	16	12	-	18	16	12	-	17	15	11	-	
	1200	kW	2.26	2.31	2.38	-	2.44	2.49	2.57	-	2.59	2.65	2.73	-	2.72	2.78	2.88	-	2.84	2.90	3.00	-	2.94	3.00	3.10	-	
		Amps	10.8	11.0	11.3	-	11.5	11.7	12.0	-	12.3	12.5	12.9	-	13.0	13.2	13.6	-	13.7	13.9	14.3	-	14.3	14.6	15.0	-	
		Hi PR	228	245	259	-	256	275	290	-	291	313	330	-	331	356	376	-	372	401	423	-	411	443	468	-	
	1050	Lo PR	107	114	125	-	114	121	132	-	118	126	137	-	124	132	144	-	130	138	151	-	134	143	156	-	
		MBh	33.6	34.9	38.2	-	32.9	34.1	37.3	-	32.1	33.2	36.4	-	31.3	32.4	35.5	-	29.7	30.8	33.8	-	27.5	28.5	31.3	-	
		S/T	0.73	0.61	0.42	-	0.75	0.63	0.44	-	0.77	0.65	0.45	-	0.80	0.67	0.46	-	0.83	0.69	0.48	-	0.84	0.70	0.48	-	
	75	1350	ΔT	19	16	12	-	19	16	12	-	19	16	12	-	19	17	13	-	19	16	12	-	18	15	12	-
			kW	2.25	2.29	2.36	-	2.42	2.47	2.55	-	2.57	2.62	2.71	-	2.70	2.76	2.85	-	2.82	2.88	2.97	-	2.91	2.98	3.08	-
			Amps	10.7	10.9	11.2	-	11.4	11.6	11.9	-	12.2	12.4	12.8	-	12.9	13.1	13.5	-	13.5	13.8	14.2	-	14.2	14.5	14.9	-
1200		Hi PR	225	243	256	-	253	272	287	-	288	310	327	-	328	353	372	-	369	397	419	-	407	438	463	-	
		Lo PR	106	113	124	-	112	120	131	-	117	124	136	-	123	131	142	-	129	137	149	-	133	141	154	-	
		MBh	31.1	32.2	35.3	-	30.3	31.4	34.4	-	29.6	30.7	33.6	-	28.9	29.9	32.8	-	27.4	28.4	31.2	-	25.4	26.3	28.9	-	
1050		S/T	0.70	0.59	0.41	-	0.73	0.61	0.42	-	0.75	0.62	0.43	-	0.77	0.64	0.45	-	0.80	0.67	0.46	-	0.81	0.67	0.47	-	
		ΔT	19	17	13	-	19	17	13	-	19	17	13	-	19	17	13	-	19	17	13	-	18	16	12	-	
		kW	2.19	2.24	2.31	-	2.36	2.41	2.49	-	2.51	2.56	2.64	-	2.64	2.69	2.78	-	2.75	2.81	2.90	-	2.84	2.90	3.00	-	
75		1350	Amps	10.5	10.7	11.0	-	11.2	11.4	11.7	-	11.9	12.2	12.5	-	12.6	12.8	13.2	-	13.2	13.5	13.9	-	13.9	14.2	14.6	-
			Hi PR	219	235	249	-	245	264	279	-	279	300	317	-	318	342	361	-	358	385	406	-	395	425	449	-
			Lo PR	103	110	120	-	109	116	127	-	113	121	132	-	119	127	138	-	125	133	145	-	129	137	150	-
	1200	MBh	35.2	36.3	39.3	42.1	34.4	35.4	38.4	41.2	33.6	34.6	37.4	40.2	32.8	33.7	36.5	39.2	31.1	32.1	34.7	37.2	28.8	29.7	32.1	34.5	
		S/T	0.87	0.78	0.59	0.38	0.90	0.80	0.61	0.39	0.92	0.82	0.62	0.40	0.95	0.85	0.64	0.41	0.99	0.88	0.67	0.43	1.00	0.89	0.67	0.43	
		ΔT	21	19	16	11	21	19	16	11	21	19	16	11	21	20	16	11	21	19	16	11	20	18	15	10	
	1050	kW	2.28	2.33	2.40	2.48	2.46	2.51	2.59	2.67	2.61	2.67	2.75	2.85	2.75	2.81	2.90	3.00	2.86	2.93	3.02	3.13	2.96	3.03	3.13	3.24	
		Amps	10.9	11.1	11.4	11.7	11.6	11.8	12.1	12.5	12.4	12.6	13.0	13.4	13.1	13.3	13.7	14.1	13.8	14.0	14.4	14.9	14.4	14.7	15.2	15.6	
		Hi PR	230	248	261	273	258	278	293	306	294	316	334	348	334	360	380	396	376	405	427	446	416	447	472	493	
	75	Lo PR	109	115	126	134	115	122	133	142	119	127	138	147	125	133	145	155	131	140	152	162	136	144	158	168	
		MBh	34.2	35.2	38.1	40.9	33.4	34.4	37.2	40.0	32.6	33.6	36.4	39.0	31.8	32.8	35.5	38.1	30.2	31.1	33.7	36.2	28.0	28.8	31.2	33.5	
		S/T	0.83	0.74	0.56	0.36	0.86	0.77	0.58	0.37	0.88	0.79	0.60	0.38	0.91	0.81	0.61	0.40	0.94	0.84	0.64	0.41	0.95	0.85	0.64	0.41	
75	1200	ΔT	22	20	16	11	22	20	17	11	22	20	17	11	22	20	17	12	22	20	16	11	20	19	15	11	
		kW	2.26	2.31	2.38	2.46	2.44	2.49	2.57	2.65	2.59	2.65	2.73	2.82	2.72	2.78	2.88	2.97	2.84	2.90	3.00	3.10	2.94	3.00	3.10	3.21	
		Amps	10.8	11.0	11.3	11.6	11.5	11.7	12.0	12.4	12.3	12.5	12.9	13.3	13.0	13.2	13.6	14.0	13.7	13.9	14.3	14.8	14.3	14.6	15.0	15.5	
	1050	Hi PR	228	245	259	270	256	275	290	303	291	313	330	345	331	356	376	392	372	401	423	441	412	443	468	488	
		Lo PR	107	114	125	133	114	121	132	140	118	126	137	146	124	132	144	153	130	138	151	161	134	143	156	166	
		MBh	31.6	32.5	35.2	37.8	30.8	31.8	34.4	36.9	30.1	31.0	33.6	36.0	29.4	30.2	32.7	35.1	27.9	28.7	31.1	33.4	25.8	26.6	28.8	30.9	
	75	S/T	0.80	0.71	0.54	0.35	0.83	0.74	0.56	0.36	0.85	0.76	0.57	0.37	0.88	0.78	0.59	0.38	0.91	0.81	0.62	0.40	0.92	0.82	0.62	0.40	
		ΔT	22	20	17	11	22	21	17	12	22	21	17	12	23	21	17	12	22	20	17	12	21	19	16	11	
		kW	2.21	2.26	2.33	2.40	2.38	2.43	2.51	2.59	2.53	2.58	2.66	2.75	2.66	2.72	2.80	2.90	2.77	2.83	2.92	3.02	2.86	2.93	3.02	3.13	
	75	Amps	10.6	10.8	11.1	11.4	11.2	11.5	11.8	12.1	12.0	12.2	12.6	13.0	12.7	12.9	13.3	13.7	13.3	13.6	14.0	14.4	14.0	14.3	14.7	15.2	
		Hi PR	221	238	251	262	248	267	282	294	282	303	320	334	321	346	365	381	361	389	411	428	399	430	454	473	
		Lo PR	104	111	121	129	110	117	128	136	114	122	133	142	120	128	140	149	126	134	146	156	130	139	151	161	

IDB: Entering Indoor Dry Bulb Temperature
 High & low pressures are measured at the liquid & suction access fittings.
 Shaded area reflects ACCA (TVA) conditions
 kW = Total system power
 Amps = outdoor unit amps (comp. + fans)

EXPANDED COOLING DATA — GPH1536M41** (CONT.)

IDB	AIRFLOW	OUTDOOR AMBIENT TEMPERATURE												ENTERING INDOOR WET BULB TEMPERATURE												
		65°F				75°F				85°F				95°F				105°F				115°F				
		59	63	67	71	59	63	67	71	59	63	67	71	59	63	67	71	59	63	67	71	59	63	67	71	
80	1350	MBh	35.9	36.6	39.2	41.9	35.0	35.8	38.2	40.9	34.2	34.9	37.3	39.9	33.4	34.1	36.4	38.9	31.7	32.4	34.6	37.0	29.4	30.0	32.1	34.3
		S/T	0.95	0.89	0.73	0.54	1.00	0.93	0.75	0.56	1.00	0.95	0.77	0.58	1.00	1.00	0.80	0.60	1.00	1.00	0.83	0.62	1.00	1.00	0.83	0.62
	ΔT	23	22	19	15	24	23	20	16	23	23	20	16	23	23	20	16	22	22	19	16	20	20	18	15	
	kW	2.30	2.35	2.42	2.50	2.48	2.53	2.61	2.70	2.63	2.69	2.78	2.87	2.77	2.83	2.92	3.02	2.89	2.95	3.05	3.15	2.99	3.05	3.16	3.26	
	Amps	11.0	11.2	11.5	11.8	11.7	11.9	12.2	12.6	12.5	12.7	13.1	13.5	13.2	13.4	13.8	14.2	13.9	14.2	14.5	15.0	14.6	14.9	15.3	15.8	
	Hi PR	232	250	264	275	261	281	296	309	297	319	337	351	338	363	384	400	380	409	432	450	420	452	477	498	
	Lo PR	110	117	127	136	116	123	135	143	120	128	140	149	126	135	147	156	133	141	154	164	137	146	159	170	
	MBh	34.8	35.6	38.0	40.6	34.0	34.8	37.1	39.7	33.2	33.9	36.2	38.7	32.4	33.1	35.4	37.8	30.8	31.4	33.6	35.9	28.5	29.1	31.1	33.3	
	S/T	0.91	0.85	0.69	0.52	0.94	0.88	0.72	0.54	0.96	0.90	0.74	0.55	1.00	0.93	0.76	0.57	1.00	0.97	0.79	0.59	1.00	0.98	0.80	0.59	
	ΔT	24	23	20	16	25	23	20	16	25	24	20	16	25	24	21	16	24	23	20	16	22	22	19	15	
kW	2.28	2.33	2.40	2.48	2.46	2.51	2.59	2.67	2.61	2.67	2.75	2.85	2.75	2.81	2.89	3.00	2.86	2.93	3.02	3.13	2.96	3.03	3.13	3.24		
Amps	10.9	11.1	11.4	11.7	11.6	11.8	12.1	12.5	12.4	12.6	13.0	13.4	13.1	13.3	13.7	14.1	13.8	14.0	14.4	14.9	14.4	14.7	15.2	15.6		
Hi PR	230	248	261	273	258	278	293	306	294	316	334	348	334	360	380	396	376	405	428	446	416	447	472	493		
Lo PR	109	115	126	134	115	122	133	142	119	127	138	147	125	133	145	155	131	140	152	162	136	144	158	168		
MBh	32.1	32.8	35.1	37.5	31.4	32.1	34.3	36.6	30.6	31.3	33.5	35.8	29.9	30.5	32.6	34.9	28.4	29.0	31.0	33.1	26.3	26.9	28.7	30.7		
S/T	0.88	0.82	0.67	0.50	0.91	0.85	0.69	0.52	0.93	0.87	0.71	0.53	0.96	0.90	0.73	0.55	1.00	0.93	0.76	0.57	1.00	0.94	0.77	0.57		
ΔT	25	24	21	16	25	24	21	17	25	24	21	17	25	24	21	17	25	24	21	16	23	22	19	15		
kW	2.23	2.27	2.35	2.42	2.40	2.45	2.53	2.61	2.55	2.60	2.69	2.77	2.68	2.74	2.83	2.92	2.79	2.85	2.95	3.05	2.89	2.95	3.05	3.15		
Amps	10.7	10.9	11.1	11.5	11.3	11.5	11.8	12.2	12.1	12.3	12.7	13.1	12.8	13.0	13.4	13.8	13.4	13.7	14.1	14.5	14.1	14.4	14.8	15.3		
Hi PR	223	240	254	265	250	269	285	297	285	306	324	338	324	349	369	384	365	393	415	433	403	434	458	478		
Lo PR	105	112	122	130	111	118	129	138	116	123	134	143	121	129	141	150	127	135	148	157	132	140	153	163		
85	1350	MBh	36.5	37.2	39.0	41.6	35.6	36.3	38.1	40.6	34.8	35.5	37.1	39.6	33.9	34.6	36.2	38.7	32.2	32.9	34.4	36.7	29.9	30.4	31.9	34.0
		S/T	1.00	0.96	0.87	0.70	1.00	1.00	0.90	0.73	1.00	1.00	0.92	0.75	1.00	1.00	0.95	0.77	1.00	1.00	0.99	0.80	1.00	1.00	1.00	0.81
	ΔT	25	24	23	20	24	25	23	20	24	24	23	20	23	24	24	20	22	22	23	20	20	21	22	19	
	kW	2.32	2.37	2.44	2.52	2.50	2.55	2.63	2.72	2.65	2.71	2.80	2.89	2.79	2.85	2.95	3.05	2.91	2.98	3.07	3.18	3.01	3.08	3.18	3.29	
	Amps	11.0	11.3	11.5	11.9	11.7	12.0	12.3	12.7	12.6	12.8	13.2	13.6	13.3	13.5	13.9	14.4	14.0	14.3	14.7	15.1	14.7	15.0	15.4	15.9	
	Hi PR	235	253	267	278	263	283	299	312	300	322	340	355	341	367	388	404	384	413	436	455	424	456	482	503	
	Lo PR	111	118	129	137	117	124	136	145	122	129	141	150	128	136	148	158	134	142	155	166	138	147	161	171	
	MBh	35.4	36.1	37.8	40.4	34.6	35.3	36.9	39.4	33.8	34.4	36.1	38.5	33.0	33.6	35.2	37.5	31.3	31.9	33.4	35.7	29.0	29.6	31.0	33.0	
	S/T	0.95	0.92	0.83	0.67	0.99	0.95	0.86	0.70	1.00	0.98	0.88	0.71	1.00	1.00	0.91	0.74	1.00	1.00	0.94	0.77	1.00	1.00	0.95	0.77	
	ΔT	26	25	24	21	26	26	24	21	26	26	24	21	25	26	25	21	24	24	24	21	22	23	23	20	
kW	2.30	2.35	2.42	2.50	2.48	2.53	2.61	2.70	2.63	2.69	2.78	2.87	2.77	2.83	2.92	3.02	2.89	2.95	3.05	3.15	2.99	3.05	3.16	3.26		
Amps	11.0	11.2	11.5	11.8	11.7	11.9	12.2	12.6	12.5	12.7	13.1	13.5	13.2	13.4	13.8	14.2	13.9	14.2	14.5	15.0	14.6	14.9	15.3	15.8		
Hi PR	232	250	264	275	261	281	296	309	297	319	337	351	338	363	384	400	380	409	432	450	420	452	477	498		
Lo PR	110	117	127	136	116	123	135	143	120	128	140	149	126	135	147	156	133	141	154	164	137	146	159	170		
MBh	32.7	33.3	34.9	37.2	31.9	32.6	34.1	36.4	31.2	31.8	33.3	35.5	30.4	31.0	32.5	34.6	28.9	29.5	30.9	32.9	26.8	27.3	28.6	30.5		
S/T	0.92	0.89	0.80	0.65	0.95	0.92	0.83	0.67	0.98	0.94	0.85	0.69	1.00	0.97	0.88	0.71	1.00	1.00	0.91	0.74	1.00	1.00	0.92	0.74		
ΔT	26	26	24	21	27	26	25	21	27	26	25	21	27	26	25	22	25	26	25	21	23	24	23	20		
kW	2.25	2.29	2.36	2.44	2.42	2.47	2.55	2.63	2.57	2.62	2.71	2.80	2.70	2.76	2.85	2.95	2.81	2.88	2.97	3.07	2.91	2.98	3.08	3.18		
Amps	10.7	10.9	11.2	11.5	11.4	11.6	11.9	12.3	12.2	12.4	12.8	13.2	12.9	13.1	13.5	13.9	13.5	13.8	14.2	14.7	14.2	14.5	14.9	15.4		
Hi PR	225	243	256	267	253	272	287	300	288	310	327	341	328	353	372	388	369	397	419	437	407	438	463	483		
Lo PR	106	113	124	132	112	120	130	139	117	124	136	144	123	130	142	152	129	137	149	159	133	141	154	164		

IDB: Entering Indoor Dry Bulb Temperature
 High & low pressures are measured at the liquid & suction access fittings.
 Shaded area reflects AHRI (TIVA) conditions
 kW = Total system power
 Amps = outdoor unit amps (comp. + fans)

EXPANDED COOLING DATA — GPH1543M41**

IDB	AIRFLOW	OUTDOOR AMBIENT TEMPERATURE												ENTERING INDOOR WET BULB TEMPERATURE													
		65°F				75°F				85°F				95°F				105°F				115°F					
		59	63	67	71	59	63	67	71	59	63	67	71	59	63	67	71	59	63	67	71	59	63	67	71		
70	1400	MBh	39.2	40.7	44.5	-	38.3	39.7	43.5	-	37.4	38.8	42.5	-	36.5	37.8	41.4	-	34.7	35.9	39.4	-	32.1	33.3	36.5	-	
		S/T	0.70	0.59	0.41	-	0.73	0.61	0.42	-	0.75	0.62	0.43	-	0.77	0.64	0.45	-	0.80	0.67	0.46	-	0.81	0.67	0.47	-	
		ΔT	18	16	12	-	18	16	12	-	18	16	12	-	18	16	12	-	18	16	12	-	17	15	11	-	
	1250	kW	2.51	2.57	2.65	-	2.71	2.77	2.85	-	2.88	2.94	3.04	-	3.03	3.10	3.20	-	3.16	3.23	3.33	-	3.27	3.34	3.45	-	
		Amps	11.9	12.2	12.5	-	12.8	13.0	13.4	-	13.7	14.0	14.4	-	14.5	14.8	15.3	-	15.3	15.7	16.1	-	16.1	16.5	17.0	-	
		HI PR	228	245	259	-	256	275	291	-	291	313	331	-	331	357	377	-	373	401	424	-	412	443	468	-	
	1200	LO PR	107	114	124	-	113	120	131	-	118	125	136	-	123	131	143	-	129	138	150	-	134	142	155	-	
		MBh	38.1	39.5	43.2	-	37.2	38.5	42.2	-	36.3	37.6	41.2	-	35.4	36.7	40.2	-	33.7	34.9	38.2	-	31.2	32.3	35.4	-	
		S/T	0.67	0.56	0.39	-	0.69	0.58	0.40	-	0.71	0.59	0.41	-	0.74	0.61	0.43	-	0.76	0.64	0.44	-	0.77	0.64	0.45	-	
	75	1400	ΔT	19	16	12	-	19	16	12	-	19	16	12	-	19	17	13	-	19	16	12	-	18	15	12	-
			kW	2.49	2.55	2.63	-	2.69	2.74	2.83	-	2.85	2.92	3.01	-	3.00	3.07	3.17	-	3.13	3.20	3.31	-	3.24	3.31	3.42	-
			Amps	11.8	12.1	12.4	-	12.7	12.9	13.3	-	13.6	13.9	14.3	-	14.4	14.7	15.1	-	15.2	15.5	16.0	-	16.0	16.4	16.9	-
1250		HI PR	226	243	257	-	253	273	288	-	288	310	327	-	328	353	373	-	369	397	419	-	408	439	463	-	
		LO PR	106	113	123	-	112	119	130	-	116	124	135	-	122	130	142	-	128	136	149	-	132	141	154	-	
		MBh	37.7	39.1	42.8	-	36.8	38.2	41.8	-	35.9	37.3	40.8	-	35.1	36.3	39.8	-	33.3	34.5	37.8	-	30.9	32.0	35.0	-	
1200		S/T	0.66	0.55	0.38	-	0.69	0.57	0.40	-	0.71	0.59	0.41	-	0.73	0.61	0.42	-	0.76	0.63	0.44	-	0.76	0.64	0.44	-	
		ΔT	19	17	13	-	19	17	13	-	19	17	13	-	20	17	13	-	19	17	13	-	18	16	12	-	
		kW	2.47	2.52	2.60	-	2.66	2.71	2.80	-	2.82	2.89	2.98	-	2.97	3.04	3.14	-	3.10	3.17	3.27	-	3.20	3.28	3.38	-	
75		1400	Amps	11.7	12.0	12.3	-	12.5	12.8	13.1	-	13.5	13.7	14.1	-	14.3	14.6	15.0	-	15.1	15.4	15.8	-	15.8	16.2	16.7	-
			HI PR	223	240	253	-	250	269	284	-	284	306	323	-	324	348	368	-	364	392	414	-	403	433	457	-
			LO PR	105	111	121	-	110	118	128	-	115	122	133	-	121	128	140	-	126	134	147	-	126	134	147	-
	1250	MBh	39.9	41.1	44.5	47.7	39.0	40.1	43.4	46.6	38.0	39.2	42.4	45.5	37.1	38.2	41.3	44.4	35.2	36.3	39.3	42.2	32.7	33.6	36.4	39.1	
		S/T	0.80	0.71	0.54	0.35	0.83	0.74	0.56	0.36	0.85	0.76	0.57	0.37	0.88	0.78	0.59	0.38	0.91	0.81	0.62	0.40	0.92	0.82	0.62	0.40	
		ΔT	21	19	16	11	21	20	16	11	21	20	16	11	21	20	16	11	21	19	16	11	20	18	15	10	
	1200	kW	2.53	2.59	2.67	2.76	2.73	2.79	2.88	2.97	2.90	2.97	3.06	3.16	3.05	3.12	3.22	3.33	3.18	3.25	3.36	3.48	3.30	3.37	3.48	3.60	
		Amps	12.0	12.3	12.6	13.0	12.9	13.1	13.5	13.9	13.8	14.1	14.5	15.0	14.6	15.0	15.4	15.9	15.5	15.8	16.3	16.8	16.3	16.6	17.1	17.7	
		HI PR	230	248	262	273	258	278	294	306	294	316	334	348	335	360	380	397	377	405	428	446	416	448	473	493	
	75	1400	LO PR	108	115	126	134	114	122	133	141	119	126	138	147	125	133	145	154	131	139	152	162	135	144	157	167
			MBh	38.7	39.9	43.2	46.3	37.8	38.9	42.2	45.2	36.9	38.0	41.1	44.2	36.0	37.1	40.1	43.1	34.2	35.2	38.1	40.9	31.7	32.6	35.3	37.9
			S/T	0.76	0.68	0.52	0.33	0.79	0.71	0.53	0.34	0.81	0.72	0.55	0.35	0.84	0.75	0.57	0.36	0.87	0.78	0.59	0.38	0.87	0.78	0.59	0.38
1250		ΔT	22	20	16	11	22	20	17	11	22	20	17	11	22	20	17	12	22	20	16	11	20	19	15	11	
		kW	2.51	2.57	2.65	2.73	2.71	2.77	2.86	2.95	2.88	2.94	3.04	3.14	3.03	3.10	3.20	3.31	3.16	3.23	3.33	3.45	3.27	3.34	3.45	3.57	
		Amps	11.9	12.2	12.5	12.9	12.8	13.0	13.4	13.8	13.7	14.0	14.4	14.9	14.5	15.3	15.8	16.3	15.3	15.7	16.1	16.7	16.1	16.5	17.0	17.6	
1200		HI PR	228	245	259	270	256	275	291	303	291	313	331	345	331	357	377	393	373	401	424	442	412	443	468	488	
		LO PR	107	114	124	132	113	120	131	140	118	125	137	145	123	131	143	153	129	138	150	160	134	142	155	166	
		MBh	38.3	39.5	42.7	45.9	37.4	38.6	41.7	44.8	36.6	37.6	40.7	43.7	35.7	36.7	39.7	42.7	33.9	34.9	37.8	40.5	31.4	32.3	35.0	37.5	
1200		S/T	0.75	0.67	0.51	0.33	0.78	0.70	0.53	0.34	0.80	0.72	0.54	0.35	0.83	0.74	0.56	0.36	0.86	0.77	0.58	0.37	0.87	0.77	0.59	0.38	
		ΔT	22	20	17	12	22	21	17	12	22	21	17	12	23	21	17	12	22	21	17	12	21	19	16	11	
		kW	2.49	2.54	2.62	2.71	2.68	2.74	2.82	2.92	2.85	2.91	3.00	3.10	3.00	3.06	3.16	3.27	3.12	3.19	3.30	3.41	3.23	3.30	3.41	3.53	
1200	Amps	11.8	12.1	12.4	12.8	12.6	12.9	13.3	13.7	13.6	13.8	14.2	14.7	14.4	14.7	15.1	15.6	15.2	15.5	16.0	16.5	16.0	16.3	16.8	17.4		
	HI PR	225	242	256	267	253	272	287	299	287	309	326	340	327	352	372	388	368	396	418	436	407	438	462	482		
	LO PR	106	112	123	131	112	119	130	138	116	123	135	144	122	130	142	151	128	136	148	158	132	141	153	163		

IDB: Entering Indoor Dry Bulb Temperature
 High & low pressures are measured at the liquid & suction access fittings.
 Shaded area reflects ACCA (TVA) conditions
 kW = Total system power
 Amps = outdoor unit amps (comp. + fans)

EXPANDED COOLING DATA — GPH1543M41** (CONT.)

IDB	AIRFLOW	OUTDOOR AMBIENT TEMPERATURE												ENTERING INDOOR WET BULB TEMPERATURE												
		65°F				75°F				85°F				95°F				105°F				115°F				
		59	63	67	71	59	63	67	71	59	63	67	71	59	63	67	71	59	63	67	71	59	63	67	71	
80	1400	MBh	40.6	41.5	44.3	47.4	39.7	40.5	43.3	46.3	38.7	39.6	42.3	45.2	37.8	38.6	41.2	44.1	35.9	36.7	39.2	41.9	33.2	34.0	36.3	38.8
		S/T	0.88	0.82	0.67	0.50	0.91	0.85	0.69	0.52	0.93	0.87	0.71	0.53	0.96	0.90	0.73	0.55	1.00	0.94	0.76	0.57	1.00	0.94	0.77	0.57
	ΔT	23	22	19	16	24	23	20	16	24	23	20	16	24	23	20	16	24	23	20	16	22	21	18	15	
	kW	2.56	2.61	2.69	2.78	2.75	2.81	2.90	3.00	2.93	2.99	3.09	3.19	3.08	3.15	3.25	3.36	3.21	3.28	3.39	3.51	3.32	3.40	3.51	3.63	
	Amps	12.1	12.4	12.7	13.1	13.0	13.2	13.6	14.0	13.9	14.2	14.6	15.1	14.8	15.1	15.5	16.0	15.6	15.9	16.4	17.0	16.4	16.8	17.3	17.9	
	HI PR	233	250	264	276	261	281	297	309	297	319	337	352	338	364	384	401	380	409	432	451	420	452	478	498	
	LO PR	109	116	127	135	115	123	134	143	120	128	139	148	126	134	146	156	132	140	153	163	137	145	159	169	
	1250	MBh	39.4	40.3	43.0	46.0	38.5	39.3	42.0	44.9	37.6	38.4	41.0	43.9	36.7	37.5	40.0	42.8	34.8	35.6	38.0	40.6	32.3	33.0	35.2	37.7
		S/T	0.84	0.78	0.64	0.48	0.87	0.81	0.66	0.49	0.89	0.83	0.68	0.51	0.92	0.86	0.70	0.52	0.95	0.89	0.73	0.54	0.96	0.90	0.73	0.55
	ΔT	24	23	20	16	25	23	20	16	25	24	20	16	25	24	21	16	24	23	20	16	23	22	19	15	
kW	2.54	2.59	2.67	2.76	2.73	2.79	2.88	2.97	2.90	2.97	3.06	3.16	3.05	3.12	3.23	3.33	3.18	3.25	3.36	3.48	3.30	3.37	3.48	3.60		
Amps	12.0	12.3	12.6	13.0	12.9	13.1	13.5	13.9	13.8	14.1	14.5	15.0	14.6	15.0	15.4	15.9	15.5	15.8	16.3	16.8	16.3	16.6	17.1	17.7		
HI PR	230	248	262	273	258	278	294	306	294	316	334	348	335	360	380	397	377	405	428	446	416	448	473	493		
LO PR	108	115	126	134	114	122	133	141	119	126	138	147	125	133	145	154	131	139	152	162	135	144	157	167		
1200	MBh	39.0	39.9	42.6	45.5	38.1	38.9	41.6	44.5	37.2	38.0	40.6	43.4	36.3	37.1	39.6	42.4	34.5	35.2	37.6	40.2	31.9	32.6	34.9	37.3	
	S/T	0.83	0.78	0.63	0.47	0.86	0.80	0.65	0.49	0.88	0.82	0.67	0.50	0.91	0.85	0.69	0.52	0.94	0.88	0.72	0.54	0.95	0.89	0.72	0.54	
ΔT	25	24	21	16	25	24	21	17	25	24	21	17	25	24	21	17	25	24	21	17	23	22	19	15		
kW	2.51	2.56	2.64	2.73	2.70	2.76	2.85	2.94	2.87	2.93	3.03	3.13	3.02	3.09	3.19	3.30	3.15	3.22	3.33	3.44	3.26	3.33	3.44	3.56		
Amps	11.9	12.1	12.5	12.9	12.7	13.0	13.4	13.8	13.7	14.0	14.4	14.8	14.5	14.8	15.2	15.7	15.3	15.6	16.1	16.6	16.1	16.5	17.0	17.5		
HI PR	227	245	258	269	255	275	290	302	290	312	330	344	330	356	376	392	372	400	422	441	411	442	467	487		
LO PR	107	114	124	132	113	120	131	139	117	125	136	145	123	131	143	152	129	137	150	160	133	142	155	165		
85	1400	MBh	41.3	42.1	44.1	47.0	40.3	41.1	43.1	45.9	39.4	40.1	42.0	44.9	38.4	39.2	41.0	43.8	36.5	37.2	39.0	41.6	33.8	34.5	36.1	38.5
		S/T	0.92	0.89	0.80	0.65	0.95	0.92	0.83	0.67	0.98	0.94	0.85	0.69	1.00	0.97	0.88	0.71	1.00	1.00	0.91	0.74	1.00	1.00	0.92	0.75
	ΔT	25	25	23	20	25	25	23	20	25	25	23	20	25	25	24	20	24	24	23	20	22	23	22	19	
	kW	2.58	2.63	2.71	2.80	2.77	2.83	2.93	3.02	2.95	3.02	3.11	3.22	3.11	3.17	3.28	3.39	3.24	3.31	3.42	3.54	3.35	3.43	3.54	3.66	
	Amps	12.2	12.5	12.8	13.2	13.1	13.3	13.7	14.2	14.0	14.3	14.7	15.2	14.9	15.2	15.6	16.2	15.7	16.1	16.5	17.1	16.6	16.9	17.4	18.0	
	HI PR	235	253	267	278	264	284	300	312	300	323	341	355	342	368	388	405	384	413	437	455	425	457	482	503	
	LO PR	110	117	128	136	117	124	135	144	121	129	141	150	127	135	148	157	133	142	155	165	138	147	160	171	
	1250	MBh	40.1	40.9	42.8	45.7	39.2	39.9	41.8	44.6	38.2	39.0	40.8	43.5	37.3	38.0	39.8	42.5	35.4	36.1	37.8	40.4	32.8	33.5	35.0	37.4
		S/T	0.88	0.85	0.76	0.62	0.91	0.88	0.79	0.64	0.93	0.90	0.81	0.66	0.96	0.93	0.84	0.68	1.00	0.96	0.87	0.70	1.00	0.97	0.88	0.71
	ΔT	26	25	24	21	26	26	24	21	26	26	24	21	26	26	25	21	26	26	24	21	24	24	23	20	
kW	2.56	2.61	2.69	2.78	2.75	2.81	2.90	3.00	2.93	2.99	3.09	3.19	3.08	3.15	3.25	3.36	3.21	3.28	3.39	3.51	3.32	3.40	3.51	3.63		
Amps	12.1	12.4	12.7	13.1	13.0	13.2	13.6	14.0	13.9	14.2	14.6	15.1	14.8	15.1	15.5	16.0	15.6	15.9	16.4	17.0	16.4	16.8	17.3	17.9		
HI PR	233	250	264	276	261	281	297	309	297	319	337	352	338	364	384	401	380	409	432	451	420	452	478	498		
LO PR	109	116	127	135	115	123	134	143	120	128	139	148	126	134	146	156	132	140	153	163	137	145	159	169		
1200	MBh	39.7	40.5	42.4	45.2	38.8	39.5	41.4	44.2	37.9	38.6	40.4	43.1	36.9	37.6	39.4	42.1	35.1	35.8	37.5	40.0	32.5	33.1	34.7	37.0	
	S/T	0.87	0.84	0.76	0.61	0.90	0.87	0.78	0.63	0.92	0.89	0.80	0.65	0.95	0.92	0.83	0.67	0.99	0.95	0.86	0.70	1.00	0.96	0.87	0.70	
ΔT	26	26	25	21	27	26	25	21	27	26	25	21	27	26	25	22	27	26	25	22	25	24	23	20		
kW	2.53	2.58	2.66	2.75	2.72	2.78	2.87	2.97	2.90	2.96	3.05	3.16	3.05	3.11	3.22	3.32	3.18	3.25	3.35	3.47	3.29	3.36	3.47	3.59		
Amps	12.0	12.2	12.6	13.0	12.8	13.1	13.5	13.9	13.8	14.1	14.5	15.0	14.6	14.9	15.4	15.9	15.4	15.8	16.2	16.8	16.2	16.6	17.1	17.7		
HI PR	230	247	261	272	258	277	293	305	293	315	333	347	334	359	379	396	375	404	427	445	415	446	471	492		
LO PR	108	115	125	133	114	121	132	141	118	126	137	146	124	132	144	154	130	139	151	161	135	143	157	167		

IDB: Entering Indoor Dry Bulb Temperature
 High & low pressures are measured at the liquid & suction access fittings.
 Shaded area reflects AHRI (TVA) conditions
 kW = Total system power
 Amps = outdoor unit amps (comp.+ fans)

EXPANDED COOLING DATA — GPH1549M41** - LOW STAGE

IDB	AIRFLOW	OUTDOOR AMBIENT TEMPERATURE												ENTERING INDOOR WET BULB TEMPERATURE											
		65°F				75°F				85°F				95°F				105°F				115°F			
		59	63	67	71	59	63	67	71	59	63	67	71	59	63	67	71	59	63	67	71	59	63	67	71
70	MIBh	33.4	34.6	37.9	-	32.6	33.8	37.0	-	31.8	33.0	36.1	-	31.0	32.2	35.2	-	29.5	30.6	33.5	-	27.3	28.3	31.0	-
	S/T	0.76	0.64	0.44	-	0.79	0.66	0.46	-	0.81	0.68	0.47	-	0.84	0.70	0.48	-	0.87	0.73	0.50	-	0.88	0.73	0.51	-
	ΔT	17	15	11	-	18	15	12	-	18	15	12	-	18	15	12	-	17	15	11	-	16	14	11	-
	kW	2.16	2.21	2.27	-	2.32	2.37	2.44	-	2.46	2.51	2.59	-	2.58	2.64	2.72	-	2.69	2.74	2.83	-	2.78	2.84	2.93	-
	Amps	9.3	9.5	9.7	-	9.9	10.1	10.4	-	10.6	10.8	11.2	-	11.2	11.5	11.8	-	11.9	12.1	12.5	-	12.5	12.7	13.1	-
	Hi PR	217	233	247	-	243	262	277	-	277	298	315	-	315	339	358	-	355	382	403	-	392	422	445	-
Lo PR	113	120	131	-	119	127	139	-	124	132	144	-	130	139	151	-	137	145	159	-	141	150	164	-	
1350	MIBh	32.4	33.6	36.8	-	31.6	32.8	35.9	-	30.9	32.0	35.1	-	30.1	31.2	34.2	-	28.6	29.7	32.5	-	26.5	27.5	30.1	-
	S/T	0.73	0.61	0.42	-	0.75	0.63	0.44	-	0.77	0.65	0.45	-	0.80	0.67	0.46	-	0.83	0.69	0.48	-	0.84	0.70	0.48	-
	ΔT	18	16	12	-	18	16	12	-	18	16	12	-	18	16	12	-	18	16	12	-	17	15	11	-
	kW	2.15	2.19	2.26	-	2.30	2.35	2.42	-	2.44	2.49	2.57	-	2.56	2.62	2.70	-	2.67	2.72	2.81	-	2.75	2.81	2.90	-
	Amps	9.2	9.4	9.7	-	9.9	10.0	10.3	-	10.6	10.8	11.1	-	11.2	11.4	11.7	-	11.8	12.0	12.4	-	12.4	12.6	13.0	-
	Hi PR	215	231	244	-	241	259	274	-	274	295	311	-	312	336	355	-	351	378	399	-	388	418	441	-
Lo PR	112	119	130	-	118	126	137	-	123	131	143	-	129	137	150	-	135	144	157	-	140	149	163	-	
1050	MIBh	29.9	31.0	34.0	-	29.2	30.3	33.2	-	28.5	29.5	32.4	-	27.8	28.8	31.6	-	26.4	27.4	30.0	-	24.5	25.4	27.8	-
	S/T	0.70	0.59	0.41	-	0.73	0.61	0.42	-	0.75	0.62	0.43	-	0.77	0.64	0.45	-	0.80	0.67	0.46	-	0.81	0.67	0.47	-
	ΔT	18	16	12	-	19	16	12	-	19	16	12	-	19	16	12	-	18	16	12	-	17	15	11	-
	kW	2.10	2.14	2.20	-	2.25	2.30	2.37	-	2.38	2.43	2.51	-	2.50	2.55	2.63	-	2.60	2.66	2.74	-	2.69	2.74	2.83	-
	Amps	9.0	9.2	9.5	-	9.6	9.8	10.1	-	10.3	10.5	10.8	-	10.9	11.1	11.4	-	11.5	11.7	12.1	-	12.1	12.3	12.7	-
	Hi PR	208	224	237	-	234	252	266	-	266	286	302	-	303	326	344	-	341	367	387	-	376	405	428	-
Lo PR	109	116	126	-	115	122	133	-	119	127	138	-	125	133	145	-	131	140	152	-	136	144	158	-	

1350	MIBh	33.9	34.9	37.8	40.6	33.1	34.1	36.9	39.6	32.4	33.3	36.1	38.7	31.6	32.5	35.2	37.8	30.0	30.9	33.4	35.9	27.8	28.6	31.0	33.2
	S/T	0.87	0.78	0.59	0.38	0.90	0.80	0.61	0.39	0.92	0.82	0.62	0.40	0.95	0.85	0.64	0.41	0.99	0.88	0.67	0.43	1.00	0.89	0.67	0.43
	ΔT	20	18	15	10	20	19	15	11	20	19	15	11	20	19	15	11	20	19	15	11	19	17	14	10
	kW	2.18	2.22	2.29	2.36	2.34	2.39	2.46	2.54	2.48	2.53	2.61	2.69	2.60	2.66	2.74	2.83	2.71	2.77	2.85	2.95	2.80	2.86	2.95	3.05
	Amps	9.4	9.6	9.8	10.1	10.0	10.2	10.5	10.8	10.7	10.9	11.2	11.6	11.3	11.6	11.9	12.3	12.0	12.2	12.6	13.0	12.6	12.8	13.2	13.6
	Hi PR	219	236	249	260	246	265	279	291	280	301	318	331	319	343	362	378	358	386	407	425	396	426	450	469
Lo PR	114	121	133	141	121	128	140	149	125	133	146	155	132	140	153	163	138	147	160	171	143	152	166	177	
1200	MIBh	32.9	33.9	36.7	39.4	32.2	33.1	35.9	38.5	31.4	32.3	35.0	37.6	30.6	31.6	34.2	36.7	29.1	30.0	32.4	34.8	27.0	27.8	30.1	32.3
	S/T	0.83	0.74	0.56	0.36	0.86	0.77	0.58	0.37	0.88	0.79	0.60	0.38	0.91	0.81	0.61	0.40	0.94	0.84	0.64	0.41	0.95	0.85	0.64	0.41
	ΔT	21	19	16	11	21	19	16	11	21	19	16	11	21	20	16	11	21	19	16	11	20	18	15	10
	kW	2.16	2.21	2.27	2.34	2.32	2.37	2.44	2.52	2.46	2.51	2.59	2.67	2.58	2.64	2.72	2.81	2.69	2.74	2.83	2.92	2.78	2.84	2.93	3.02
	Amps	9.3	9.5	9.7	10.0	9.9	10.1	10.4	10.7	10.6	10.9	11.2	11.5	11.2	11.5	11.8	12.2	11.9	12.1	12.5	12.9	12.5	12.7	13.1	13.5
	Hi PR	217	233	247	257	243	262	277	289	277	298	315	328	315	339	358	374	355	382	403	421	392	422	445	465
Lo PR	113	120	131	140	119	127	139	148	124	132	144	154	130	139	151	161	137	145	159	169	141	150	164	175	
1050	MIBh	30.4	31.3	33.9	36.4	29.7	30.6	33.1	35.5	29.0	29.9	32.3	34.7	28.3	29.1	31.5	33.8	26.9	27.7	29.9	32.1	24.9	25.6	27.7	29.8
	S/T	0.80	0.71	0.54	0.35	0.83	0.74	0.56	0.36	0.85	0.76	0.57	0.37	0.88	0.78	0.59	0.38	0.91	0.81	0.62	0.40	0.92	0.82	0.62	0.40
	ΔT	21	20	16	11	22	20	16	11	22	20	16	11	22	20	16	11	21	20	16	11	20	18	15	10
	kW	2.11	2.16	2.22	2.29	2.27	2.31	2.38	2.46	2.40	2.45	2.53	2.61	2.52	2.57	2.65	2.74	2.62	2.68	2.76	2.85	2.71	2.77	2.86	2.95
	Amps	9.1	9.3	9.5	9.8	9.7	9.9	10.2	10.5	10.4	10.6	10.9	11.2	11.0	11.2	11.5	11.9	11.6	11.8	12.2	12.6	12.2	12.4	12.8	13.2
	Hi PR	210	226	239	249	236	254	268	280	269	289	305	318	306	329	348	363	344	370	391	408	380	409	432	451
Lo PR	110	117	127	136	116	123	135	143	120	128	140	149	127	135	147	156	133	141	154	164	137	146	159	170	

IDB: Entering Indoor Dry Bulb Temperature
 High & low pressures are measured at the liquid & suction access fittings.
 Shaded area reflects ACCA (TVA) conditions
 kW = Total system power
 Amps = outdoor unit amps (comp.+ fans)

EXPANDED COOLING DATA — GPH1549M41** — LOW STAGE (CONT.)

IDB	AIRFLOW	OUTDOOR AMBIENT TEMPERATURE												ENTERING INDOOR WET BULB TEMPERATURE													
		65°F				75°F				85°F				95°F				105°F				115°F					
		59	63	67	71	59	63	67	71	59	63	67	71	59	63	67	71	59	63	67	71	59	63	67	71		
80	1350	MBh	34.5	35.3	37.7	40.3	33.7	34.5	36.8	39.4	32.9	33.6	35.9	38.4	32.1	32.8	35.1	37.5	30.5	31.2	33.3	35.6	28.3	28.9	30.9	33.0	
		S/T	0.95	0.89	0.73	0.54	1.00	0.93	0.75	0.56	1.00	0.95	0.77	0.58	1.00	1.00	0.80	0.60	1.00	1.00	0.83	0.62	1.00	1.00	0.83	0.62	
	1200	ΔT	22	21	19	15	23	22	19	15	22	22	19	15	22	22	19	15	21	21	19	15	19	20	18	14	
		kW	2.20	2.24	2.31	2.38	2.36	2.41	2.48	2.56	2.50	2.55	2.63	2.71	2.62	2.68	2.76	2.85	2.73	2.79	2.88	2.97	2.82	2.88	2.98	3.07	
	1050	Amps	9.5	9.6	9.9	10.2	10.1	10.3	10.6	10.9	10.8	11.0	11.3	11.7	11.4	11.7	12.0	12.4	12.0	12.3	12.7	13.1	12.7	12.9	13.3	13.8	
		Hi PR	221	238	252	262	248	267	282	294	282	304	321	335	322	346	366	381	362	390	411	429	400	430	454	474	
	85	1350	Lo PR	115	123	134	143	122	130	142	151	127	135	147	157	133	142	155	165	139	148	162	172	144	153	168	178
			MBh	33.5	34.3	36.6	39.1	32.7	33.5	35.8	38.2	32.0	32.7	34.9	37.3	31.2	31.9	34.1	36.4	29.6	30.3	32.3	34.6	27.4	28.0	30.0	32.0
		1200	S/T	0.91	0.85	0.69	0.52	0.94	0.88	0.72	0.54	0.96	0.90	0.74	0.55	1.00	0.93	0.76	0.57	1.00	0.97	0.79	0.59	1.00	0.98	0.80	0.59
			ΔT	23	22	19	16	24	23	20	16	24	23	20	16	24	23	20	16	23	22	20	16	21	21	18	15
1050		kW	2.18	2.22	2.29	2.36	2.34	2.39	2.46	2.54	2.48	2.53	2.61	2.69	2.60	2.66	2.74	2.83	2.71	2.77	2.85	2.95	2.80	2.86	2.95	3.05	
		Amps	9.4	9.6	9.8	10.1	10.0	10.2	10.5	10.8	10.7	10.9	11.2	11.6	11.3	11.6	11.9	12.3	12.0	12.2	12.6	13.0	12.6	12.8	13.2	13.6	
80		Hi PR	219	236	249	260	246	265	279	291	280	301	318	332	319	343	362	378	358	386	407	425	396	426	450	469	
		Lo PR	114	122	133	141	121	128	140	149	125	133	146	155	132	140	153	163	138	147	160	171	143	152	166	177	
85		1350	MBh	30.9	31.6	33.8	36.1	30.2	30.9	33.0	35.3	29.5	30.2	32.2	34.4	28.8	29.4	31.4	33.6	27.3	27.9	29.9	31.9	25.3	25.9	27.7	29.6
			S/T	0.88	0.82	0.67	0.50	0.91	0.85	0.69	0.52	0.93	0.87	0.71	0.53	0.96	0.90	0.73	0.55	1.00	0.93	0.76	0.57	1.00	0.94	0.77	0.57
	1200	ΔT	24	23	20	16	24	23	20	16	24	23	20	16	24	23	20	16	24	23	20	16	22	21	19	15	
		kW	2.13	2.17	2.24	2.31	2.28	2.33	2.40	2.48	2.42	2.47	2.55	2.63	2.54	2.59	2.68	2.76	2.64	2.70	2.78	2.87	2.73	2.79	2.88	2.97	
	80	Amps	9.2	9.4	9.6	9.9	9.8	10.0	10.2	10.6	10.5	10.7	11.0	11.3	11.1	11.3	11.6	12.0	11.7	11.9	12.3	12.7	12.3	12.5	12.9	13.3	
		Hi PR	213	229	242	252	239	257	271	283	271	292	308	322	309	333	351	366	348	374	395	412	384	413	436	455	
	85	1350	Lo PR	111	118	129	137	117	125	136	145	122	129	141	150	128	136	148	158	134	142	156	166	139	147	161	171
			MBh	35.1	35.8	37.5	40.0	34.3	35.0	36.6	39.1	33.5	34.2	35.8	38.2	32.7	33.3	34.9	37.2	31.1	31.7	33.2	34.3	28.8	29.3	30.7	32.8
		1200	S/T	1.00	0.96	0.87	0.70	1.00	0.90	0.86	0.70	1.00	0.98	0.88	0.71	1.00	1.00	0.91	0.74	1.00	1.00	0.94	0.77	1.00	1.00	0.95	0.77
			ΔT	24	23	22	19	23	24	22	19	23	23	22	19	22	23	23	20	21	22	22	20	20	20	21	18
80		kW	2.21	2.26	2.33	2.40	2.38	2.42	2.50	2.58	2.52	2.57	2.65	2.74	2.64	2.70	2.79	2.88	2.75	2.81	2.90	3.00	2.84	2.91	3.00	3.10	
		Amps	9.5	9.7	10.0	10.3	10.2	10.4	10.6	11.0	10.9	11.1	11.4	11.8	11.5	11.8	12.1	12.5	12.1	12.4	12.8	13.2	12.8	13.0	13.4	13.9	
85		Hi PR	224	241	254	265	251	270	285	297	285	307	324	338	325	350	369	385	366	393	415	433	404	435	459	479	
		Lo PR	117	124	135	144	123	131	143	152	128	136	149	158	134	143	156	166	141	150	164	174	146	155	169	180	
85		1350	MBh	34.1	34.8	36.4	38.9	33.3	34.0	35.6	38.0	32.5	33.2	34.7	37.0	31.7	32.3	33.9	36.1	30.1	30.7	32.2	34.3	27.9	28.5	29.8	31.8
			S/T	0.95	0.92	0.83	0.67	0.99	0.95	0.86	0.70	1.00	0.98	0.88	0.71	1.00	1.00	0.91	0.74	1.00	1.00	0.94	0.77	1.00	1.00	0.95	0.77
	1200	ΔT	25	24	23	20	25	25	23	20	25	25	23	20	24	25	24	20	23	24	23	20	21	22	22	19	
		kW	2.20	2.24	2.31	2.38	2.36	2.41	2.48	2.56	2.50	2.55	2.63	2.71	2.62	2.68	2.76	2.85	2.73	2.79	2.88	2.97	2.82	2.88	2.98	3.07	
	80	Amps	9.5	9.6	9.9	10.2	10.1	10.3	10.6	10.9	10.8	11.0	11.3	11.7	11.4	11.7	12.0	12.4	12.0	12.3	12.7	13.1	12.7	12.9	13.3	13.8	
		Hi PR	221	238	252	262	248	267	282	294	282	304	321	335	322	346	366	381	362	390	411	429	400	430	454	474	
	85	Lo PR	115	123	134	143	122	130	142	151	127	135	147	157	133	142	155	165	139	148	162	172	144	153	168	178	
		MBh	31.5	32.1	33.6	35.9	30.8	31.4	32.8	35.0	30.0	30.6	32.1	34.2	29.3	29.9	31.3	33.4	27.8	28.4	29.7	31.7	25.8	26.3	27.5	29.4	
	80	S/T	0.92	0.89	0.80	0.65	0.95	0.92	0.83	0.67	0.98	0.94	0.85	0.69	1.00	0.97	0.88	0.71	1.00	1.00	0.91	0.74	1.00	1.00	0.92	0.74	
		ΔT	25	25	24	20	26	25	24	21	26	25	24	21	26	25	24	21	24	25	24	20	23	23	22	19	
85	kW	2.15	2.19	2.25	2.32	2.30	2.35	2.42	2.50	2.44	2.49	2.57	2.65	2.56	2.62	2.70	2.78	2.66	2.72	2.81	2.90	2.75	2.81	2.90	3.00		
	Amps	9.2	9.4	9.7	10.0	9.8	10.0	10.3	10.6	10.6	10.8	11.1	11.4	11.2	11.4	11.7	12.1	11.8	12.0	12.4	12.8	12.4	12.6	13.0	13.4		
80	Hi PR	215	231	244	254	241	259	274	286	274	295	311	325	312	336	355	370	351	378	399	416	388	417	441	460		
	Lo PR	112	119	130	138	118	126	137	146	123	131	143	152	129	137	150	160	135	144	157	167	140	149	162	173		

IDB: Entering Indoor Dry Bulb Temperature
 High & low pressures are measured at the liquid & suction access fittings.
 Shaded area reflects AHRI (TVA) conditions
 kW = Total system power
 Amps = outdoor unit amps (comp. + fans)

EXPANDED COOLING DATA — GPH1549M41** — HIGH STAGE

IDB	AIRFLOW	OUTDOOR AMBIENT TEMPERATURE												ENTERING INDOOR WET BULB TEMPERATURE													
		65°F				75°F				85°F				95°F				105°F				115°F					
		59	63	67	71	59	63	67	71	59	63	67	71	59	63	67	71	59	63	67	71	59	63	67	71		
70	1517	MBh	44.8	46.4	50.9	-	43.8	45.4	49.7	-	42.7	44.3	48.5	-	41.7	43.2	47.3	-	39.6	41.0	45.0	-	36.7	38.0	41.7	-	
		S/T	0.68	0.57	0.39	-	0.71	0.59	0.41	-	0.72	0.60	0.42	-	0.75	0.62	0.43	-	0.78	0.65	0.45	-	0.78	0.65	0.45	-	
		ΔT	19	16	12	-	19	16	12	-	19	16	12	-	19	16	12	-	19	16	12	-	17	15	11	-	
	1345	kW	3.05	3.12	3.22	-	3.29	3.36	3.47	-	3.50	3.58	3.69	-	3.68	3.77	3.89	-	3.84	3.93	4.06	-	3.98	4.07	4.20	-	
		Amps	13.3	13.5	13.9	-	14.2	14.5	14.9	-	15.2	15.6	16.0	-	16.2	16.5	17.0	-	17.1	17.4	18.0	-	18.0	18.4	18.9	-	
		Hi PR	227	244	258	-	254	274	289	-	289	311	329	-	330	355	374	-	371	399	421	-	410	441	465	-	
	1183	Lo PR	107	114	124	-	113	120	131	-	118	125	137	-	124	131	144	-	130	138	150	-	134	143	156	-	
		MBh	43.5	45.1	49.4	-	42.5	44.0	48.3	-	41.5	43.0	47.1	-	40.5	41.9	46.0	-	38.4	39.8	43.7	-	35.6	36.9	40.4	-	
		S/T	0.65	0.54	0.38	-	0.67	0.56	0.39	-	0.69	0.58	0.40	-	0.71	0.60	0.41	-	0.74	0.62	0.43	-	0.75	0.62	0.43	-	
	75	1517	ΔT	19	17	13	-	20	17	13	-	20	17	13	-	20	17	13	-	19	17	13	-	18	16	12	-
			kW	3.03	3.09	3.19	-	3.26	3.33	3.44	-	3.47	3.55	3.66	-	3.65	3.73	3.86	-	3.81	3.89	4.02	-	3.94	4.03	4.17	-
			Amps	13.2	13.4	13.8	-	14.1	14.4	14.8	-	15.1	15.4	15.9	-	16.0	16.4	16.9	-	16.9	17.3	17.8	-	17.8	18.2	18.8	-
1345		Hi PR	224	242	255	-	252	271	286	-	286	308	326	-	326	351	371	-	367	395	417	-	406	436	461	-	
		Lo PR	106	113	123	-	112	119	130	-	116	124	135	-	122	130	142	-	128	136	149	-	133	141	154	-	
		MBh	40.2	41.6	45.6	-	39.2	40.7	44.5	-	38.3	39.7	43.5	-	37.4	38.7	42.4	-	35.5	36.8	40.3	-	32.9	34.1	37.3	-	
1183		S/T	0.63	0.52	0.36	-	0.65	0.54	0.38	-	0.67	0.56	0.39	-	0.69	0.57	0.40	-	0.71	0.60	0.41	-	0.72	0.60	0.42	-	
		ΔT	20	17	13	-	20	17	13	-	20	17	13	-	20	17	13	-	20	17	13	-	18	16	12	-	
		kW	2.96	3.02	3.11	-	3.18	3.25	3.36	-	3.38	3.46	3.57	-	3.56	3.64	3.76	-	3.71	3.79	3.92	-	3.84	3.93	4.06	-	
1517		Amps	12.9	13.1	13.5	-	13.7	14.0	14.4	-	14.8	15.1	15.5	-	15.6	16.0	16.4	-	16.5	16.9	17.4	-	17.4	17.8	18.3	-	
		Hi PR	218	234	247	-	244	263	278	-	278	299	316	-	316	341	360	-	356	383	405	-	393	423	447	-	
		Lo PR	103	109	120	-	109	116	126	-	113	120	131	-	119	126	138	-	124	132	144	-	129	137	149	-	
75	1517	MBh	45.6	46.9	50.8	54.5	44.5	45.8	49.6	53.2	43.5	44.7	48.4	52.0	42.4	43.6	47.2	50.7	40.3	41.5	44.9	48.2	37.3	38.4	41.6	44.6	
		S/T	0.77	0.69	0.52	0.34	0.80	0.72	0.54	0.35	0.82	0.74	0.56	0.36	0.85	0.76	0.58	0.37	0.88	0.79	0.60	0.38	0.89	0.80	0.60	0.39	
		ΔT	21	20	16	11	22	20	16	11	22	20	16	11	22	20	16	11	22	20	16	11	22	20	15	10	
	1345	kW	3.08	3.14	3.24	3.35	3.32	3.39	3.50	3.61	3.53	3.61	3.72	3.85	3.71	3.80	3.92	4.06	3.87	3.96	4.09	4.23	4.01	4.10	4.24	4.38	
		Amps	13.4	13.7	14.0	14.5	14.3	14.6	15.0	15.5	15.4	15.7	16.2	16.7	16.3	16.6	17.1	17.7	17.2	17.6	18.1	18.7	18.1	18.5	19.1	19.7	
		Hi PR	229	246	260	271	257	277	292	305	292	315	332	346	333	358	378	395	374	403	426	444	414	445	470	490	
	1183	Lo PR	108	115	126	134	114	122	133	141	119	126	138	147	125	133	145	154	131	139	152	162	135	144	157	167	
		MBh	44.2	45.6	49.3	52.9	43.2	44.5	48.2	51.7	42.2	43.4	47.0	50.5	41.2	42.4	45.9	49.2	39.1	40.3	43.6	46.8	36.2	37.3	40.4	43.3	
		S/T	0.74	0.66	0.50	0.32	0.77	0.68	0.52	0.33	0.79	0.70	0.53	0.34	0.81	0.73	0.55	0.35	0.84	0.75	0.57	0.37	0.85	0.76	0.57	0.37	
	1517	ΔT	22	21	17	12	23	21	17	12	23	21	17	12	23	21	17	12	22	21	17	12	21	19	16	11	
		kW	3.05	3.12	3.22	3.32	3.29	3.36	3.47	3.58	3.50	3.58	3.69	3.82	3.68	3.77	3.89	4.02	3.84	3.93	4.06	4.20	3.98	4.07	4.20	4.35	
		Amps	13.3	13.5	13.9	14.4	14.2	14.5	14.9	15.4	15.2	15.6	16.0	16.6	16.2	16.5	17.0	17.6	17.1	17.5	18.0	18.6	18.0	18.4	18.9	19.6	
1345	Hi PR	227	244	258	269	254	274	289	302	289	311	329	343	330	355	375	391	371	399	421	439	410	441	466	486		
	Lo PR	107	114	124	133	113	120	131	140	118	125	137	146	124	131	144	153	130	138	150	160	134	143	156	166		
	MBh	40.8	42.0	45.5	48.8	39.9	41.1	44.5	47.7	38.9	40.1	43.4	46.6	38.0	39.1	42.3	45.4	36.1	37.2	40.2	43.2	33.4	34.4	37.3	40.0		
1183	S/T	0.71	0.64	0.48	0.31	0.74	0.66	0.50	0.32	0.76	0.68	0.51	0.33	0.78	0.70	0.53	0.34	0.81	0.73	0.55	0.35	0.82	0.73	0.55	0.36		
	ΔT	23	21	17	12	23	21	17	12	23	21	17	12	23	21	17	12	23	21	17	12	21	20	16	11		
	kW	2.98	3.04	3.14	3.24	3.21	3.28	3.38	3.50	3.41	3.49	3.60	3.72	3.59	3.67	3.79	3.92	3.74	3.83	3.95	4.09	3.88	3.96	4.10	4.23		
1517	Amps	13.0	13.2	13.6	14.0	13.9	14.1	14.5	15.0	14.9	15.2	15.6	16.2	15.8	16.1	16.6	17.1	16.7	17.0	17.5	18.1	17.5	17.9	18.5	19.1		
	Hi PR	220	237	250	261	247	266	280	293	281	302	319	333	320	344	363	379	360	387	409	426	397	428	452	471		
	Lo PR	104	111	121	129	110	117	128	136	114	121	133	141	120	128	139	148	126	134	146	155	130	138	151	161		

IDB: Entering Indoor Dry Bulb Temperature
 High & low pressures are measured at the liquid & suction access fittings.
 Shaded area reflects ACCA (TVA) conditions
 kW = Total system power
 Amps = outdoor unit amps (comp. + fans)

EXPANDED COOLING DATA — GPH1549M41** — HIGH STAGE (CONT.)

IDB	AIRFLOW	OUTDOOR AMBIENT TEMPERATURE												ENTERING INDOOR WET BULB TEMPERATURE												
		65°F				75°F				85°F				95°F				105°F				115°F				
		59	63	67	71	59	63	67	71	59	63	67	71	59	63	67	71	59	63	67	71	59	63	67	71	
80	1517	MBh	46.4	47.4	50.6	54.1	45.3	46.3	49.5	52.9	44.2	45.2	48.3	51.6	43.1	44.1	47.1	50.4	41.0	41.9	44.7	47.8	38.0	38.8	41.4	44.3
		S/T	0.85	0.80	0.65	0.48	0.88	0.83	0.67	0.50	0.90	0.85	0.69	0.52	0.93	0.87	0.71	0.53	0.97	0.91	0.74	0.55	1.00	0.92	0.74	0.56
	ΔT	24	23	20	16	24	23	20	16	24	23	20	16	24	23	20	16	24	23	20	16	23	22	19	15	
	kW	3.10	3.17	3.27	3.38	3.34	3.42	3.53	3.65	3.56	3.64	3.76	3.88	3.75	3.83	3.96	4.09	3.91	3.99	4.13	4.27	4.04	4.14	4.28	4.42	
	Amps	13.5	13.8	14.1	14.6	14.4	14.7	15.1	15.6	15.5	15.8	16.3	16.8	16.4	16.8	17.3	17.9	17.4	17.7	18.3	18.9	18.3	18.7	19.3	19.9	
	Hi PR	231	249	263	274	260	279	295	308	295	318	335	350	336	362	382	399	378	407	430	448	418	450	475	495	
	Lo PR	109	116	127	135	116	123	134	143	120	128	139	148	126	134	146	156	132	141	153	163	137	145	159	169	
	MBh	45.0	46.0	49.2	52.6	44.0	44.9	48.0	51.3	42.9	43.9	46.9	50.1	41.9	42.8	45.7	48.9	39.8	40.7	43.4	46.4	36.9	37.7	40.2	43.0	
	S/T	0.81	0.76	0.62	0.46	0.84	0.79	0.64	0.48	0.86	0.81	0.66	0.49	0.89	0.83	0.68	0.51	0.92	0.87	0.70	0.53	0.93	0.87	0.71	0.53	
	ΔT	25	24	21	17	25	24	21	17	25	24	21	17	25	24	21	17	25	24	21	17	23	22	20	16	
kW	3.08	3.14	3.24	3.35	3.32	3.39	3.50	3.61	3.53	3.61	3.72	3.85	3.71	3.80	3.92	4.06	3.87	3.96	4.09	4.23	4.01	4.10	4.24	4.38		
Amps	13.4	13.7	14.0	14.5	14.3	14.6	15.0	15.5	15.4	15.7	16.2	16.7	16.3	16.6	17.1	17.7	17.2	17.6	18.1	18.7	18.1	18.5	19.1	19.7		
Hi PR	229	246	260	271	257	277	292	305	292	315	332	346	333	358	378	395	375	403	426	444	414	445	470	490		
Lo PR	108	115	126	134	114	122	133	141	119	126	138	147	125	133	145	154	131	139	152	162	135	144	157	167		
MBh	41.6	42.5	45.4	48.5	40.6	41.5	44.3	47.4	39.6	40.5	43.3	46.2	38.7	39.5	42.2	45.1	36.7	37.5	40.1	42.9	34.0	34.8	37.1	39.7		
S/T	0.78	0.73	0.60	0.45	0.81	0.76	0.62	0.46	0.83	0.78	0.63	0.47	0.86	0.80	0.65	0.49	0.89	0.83	0.68	0.51	0.90	0.84	0.68	0.51		
ΔT	25	24	21	17	26	24	21	17	26	25	21	17	26	25	21	17	25	24	21	17	24	23	20	16		
kW	3.00	3.07	3.16	3.27	3.24	3.31	3.41	3.52	3.44	3.52	3.63	3.75	3.62	3.70	3.82	3.95	3.78	3.86	3.99	4.12	3.91	4.00	4.13	4.27		
Amps	13.1	13.3	13.7	14.1	14.0	14.3	14.7	15.1	15.0	15.3	15.8	16.3	15.9	16.2	16.7	17.3	16.8	17.2	17.7	18.3	17.7	18.1	18.6	19.2		
Hi PR	222	239	252	263	249	268	283	295	284	305	322	336	323	348	367	383	363	391	413	431	401	432	456	476		
Lo PR	105	112	122	130	111	118	129	137	115	123	134	143	121	129	141	150	127	135	147	157	131	140	152	162		
85	1517	MBh	47.2	48.1	50.4	53.7	46.1	47.0	49.2	52.5	45.0	45.9	48.0	51.2	43.9	44.7	46.9	50.0	41.7	42.5	44.5	47.5	38.6	39.4	41.2	44.0
		S/T	0.89	0.86	0.78	0.63	0.92	0.89	0.80	0.65	0.95	0.91	0.82	0.67	0.98	0.94	0.85	0.69	1.00	0.98	0.88	0.72	1.00	0.99	0.89	0.72
	ΔT	25	25	24	21	26	25	24	21	26	25	24	21	26	26	24	21	25	25	24	21	23	24	22	19	
	kW	3.13	3.19	3.30	3.40	3.37	3.45	3.56	3.68	3.59	3.67	3.79	3.91	3.78	3.86	3.99	4.13	3.94	4.03	4.16	4.31	4.08	4.17	4.31	4.46	
	Amps	13.6	13.9	14.3	14.7	14.5	14.8	15.3	15.8	15.6	16.0	16.4	17.0	16.6	16.9	17.4	18.0	17.5	17.9	18.4	19.1	18.4	18.8	19.4	20.1	
	Hi PR	234	251	266	277	262	282	298	311	298	321	339	353	340	365	386	402	382	411	434	453	422	454	480	500	
	Lo PR	110	117	128	137	117	124	135	144	121	129	141	150	127	135	148	158	133	142	155	165	138	147	160	171	
	MBh	45.8	46.7	48.9	52.2	44.8	45.6	47.8	51.0	43.7	44.5	46.6	49.8	42.6	43.4	45.5	48.5	40.5	41.3	43.2	46.1	37.5	38.2	40.0	42.7	
	S/T	0.85	0.82	0.74	0.60	0.88	0.85	0.77	0.62	0.90	0.87	0.79	0.64	0.93	0.90	0.81	0.66	0.97	0.93	0.84	0.68	0.98	0.94	0.85	0.69	
	ΔT	27	26	25	21	27	26	25	22	27	27	25	22	27	27	25	22	27	26	25	22	25	25	23	20	
kW	3.10	3.17	3.27	3.38	3.34	3.42	3.53	3.65	3.56	3.64	3.76	3.88	3.75	3.83	3.96	4.09	3.91	3.99	4.13	4.27	4.04	4.14	4.28	4.42		
Amps	13.5	13.8	14.1	14.6	14.4	14.7	15.1	15.6	15.5	15.8	16.3	16.8	16.4	16.8	17.3	17.9	17.4	17.7	18.3	18.9	18.3	18.7	19.3	19.9		
Hi PR	231	249	263	274	260	279	295	308	295	318	335	350	336	362	382	399	378	407	430	448	418	450	475	495		
Lo PR	109	116	127	135	116	123	134	143	120	128	139	148	126	134	146	156	132	141	153	163	137	145	159	169		
MBh	42.3	43.1	45.1	48.2	41.3	42.1	44.1	47.0	40.3	41.1	43.0	45.9	39.3	40.1	42.0	44.8	37.4	38.1	39.9	42.6	34.6	35.3	37.0	39.4		
S/T	0.82	0.79	0.71	0.58	0.85	0.82	0.74	0.60	0.87	0.84	0.76	0.62	0.90	0.87	0.78	0.63	0.93	0.90	0.81	0.66	0.94	0.91	0.82	0.66		
ΔT	27	26	25	22	27	27	25	22	27	27	25	22	27	27	26	22	27	27	25	22	25	25	24	20		
kW	3.03	3.09	3.19	3.29	3.26	3.33	3.44	3.55	3.47	3.55	3.66	3.78	3.65	3.73	3.86	3.99	3.81	3.89	4.02	4.16	3.94	4.03	4.17	4.31		
Amps	13.2	13.4	13.8	14.3	14.1	14.4	14.8	15.3	15.1	15.4	15.9	16.4	16.0	16.4	16.9	17.4	16.9	17.3	17.8	18.4	17.8	18.2	18.8	19.4		
Hi PR	224	241	255	266	252	271	286	298	286	308	325	339	326	351	371	387	367	395	417	435	405	436	461	480		
Lo PR	106	113	123	131	112	119	130	139	116	124	135	144	122	130	142	151	128	136	149	159	133	141	154	164		

IDB: Entering Indoor Dry Bulb Temperature
 High & low pressures are measured at the liquid & suction access fittings.
 Shaded area reflects AHRI (TVA) conditions
 kW = Total system power
 Amps = outdoor unit amps (comp. + fans)

EXPANDED COOLING DATA — GPH1560M41** — LOW STAGE

IDB	AIRFLOW	OUTDOOR AMBIENT TEMPERATURE												ENTERING INDOOR WET BULB TEMPERATURE											
		65°F				75°F				85°F				95°F				105°F				115°F			
		59	63	67	71	59	63	67	71	59	63	67	71	59	63	67	71	59	63	67	71	59	63	67	71
70	MBh	39.6	41.1	45.0	-	38.7	40.1	43.9	-	37.8	39.2	42.9	-	36.9	38.2	41.9	-	35.0	36.3	39.8	-	32.4	33.6	36.8	-
	S/T	0.73	0.61	0.42	-	0.76	0.63	0.44	-	0.78	0.65	0.45	-	0.80	0.67	0.47	-	0.83	0.70	0.48	-	0.84	0.70	0.49	-
	DT	18	15	12	-	18	15	12	-	18	15	12	-	18	16	12	-	18	15	12	-	17	14	11	-
	kW	2.79	2.85	2.93	-	3.00	3.06	3.16	-	3.18	3.25	3.35	-	3.34	3.42	3.53	-	3.48	3.56	3.67	-	3.60	3.68	3.80	-
	Amps	12.3	12.5	12.9	-	13.1	13.4	13.8	-	14.1	14.4	14.9	-	15.0	15.3	15.8	-	15.8	16.2	16.7	-	16.7	17.1	17.6	-
	Hi PR	222	239	252	-	249	268	283	-	283	305	322	-	322	347	366	-	363	390	412	-	401	431	455	-
	Lo PR	109	116	127	-	116	123	134	-	120	128	139	-	126	134	146	-	132	141	154	-	137	145	159	-
	MBh	38.5	39.9	43.7	-	37.6	38.9	42.7	-	36.7	38.0	41.6	-	35.8	37.1	40.6	-	34.0	35.2	38.6	-	31.5	32.6	35.8	-
	S/T	0.70	0.58	0.40	-	0.72	0.61	0.42	-	0.74	0.62	0.43	-	0.77	0.64	0.44	-	0.80	0.66	0.46	-	0.80	0.67	0.46	-
	DT	18	16	12	-	19	16	12	-	19	16	12	-	19	16	12	-	18	16	12	-	17	15	11	-
kW	2.77	2.82	2.91	-	2.97	3.04	3.13	-	3.16	3.22	3.33	-	3.32	3.39	3.50	-	3.45	3.53	3.64	-	3.57	3.65	3.77	-	
Amps	12.2	12.5	12.8	-	13.0	13.3	13.7	-	14.0	14.3	14.7	-	14.9	15.2	15.6	-	15.7	16.1	16.5	-	16.5	16.9	17.4	-	
Hi PR	220	236	250	-	246	265	280	-	280	302	318	-	319	343	363	-	359	386	408	-	397	427	451	-	
Lo PR	108	115	126	-	114	122	133	-	119	126	138	-	125	133	145	-	131	139	152	-	135	144	157	-	
MBh	35.5	36.8	40.3	-	34.7	35.9	39.4	-	33.9	35.1	38.4	-	33.0	34.2	37.5	-	31.4	32.5	35.6	-	29.1	30.1	33.0	-	
S/T	0.67	0.56	0.39	-	0.70	0.58	0.40	-	0.72	0.60	0.41	-	0.74	0.62	0.43	-	0.77	0.64	0.44	-	0.77	0.65	0.45	-	
DT	19	16	12	-	19	16	12	-	19	16	12	-	19	16	12	-	19	16	12	-	18	15	12	-	
kW	2.70	2.76	2.84	-	2.90	2.96	3.06	-	3.08	3.15	3.25	-	3.24	3.31	3.41	-	3.37	3.44	3.55	-	3.48	3.56	3.68	-	
Amps	11.9	12.2	12.5	-	12.7	13.0	13.4	-	13.7	14.0	14.4	-	14.5	14.8	15.3	-	15.3	15.7	16.1	-	16.1	16.5	17.0	-	
Hi PR	213	229	242	-	239	257	272	-	272	293	309	-	310	333	352	-	348	375	396	-	385	414	437	-	
Lo PR	105	112	122	-	111	118	129	-	115	123	134	-	121	129	141	-	127	135	147	-	131	140	153	-	
75	MBh	40.3	41.5	44.9	48.2	39.4	40.5	43.9	47.1	38.4	39.6	42.8	45.9	37.5	38.6	41.8	44.8	35.6	36.7	39.7	42.6	33.0	34.0	36.8	39.4
	S/T	0.83	0.75	0.56	0.36	0.86	0.77	0.58	0.38	0.89	0.79	0.60	0.39	0.91	0.82	0.62	0.40	0.95	0.85	0.64	0.41	0.96	0.86	0.65	0.42
	DT	20	19	15	11	21	19	16	11	21	19	16	11	21	19	16	11	20	19	15	11	19	18	14	10
	kW	2.81	2.87	2.96	3.05	3.02	3.09	3.18	3.28	3.21	3.28	3.38	3.49	3.37	3.44	3.56	3.67	3.51	3.59	3.70	3.83	3.63	3.71	3.83	3.96
	Amps	12.4	12.6	13.0	13.4	13.3	13.5	13.9	14.4	14.3	14.6	15.0	15.5	15.1	15.4	15.9	16.4	16.0	16.3	16.8	17.4	16.8	17.2	17.7	18.3
	Hi PR	224	241	255	266	251	271	286	298	286	308	325	339	326	350	370	386	366	394	416	434	405	436	460	480
	Lo PR	110	118	128	137	117	124	136	144	121	129	141	150	127	136	148	158	134	142	155	165	138	147	160	171
	MBh	39.1	40.3	43.6	46.8	38.2	39.3	42.6	45.7	37.3	38.4	41.6	44.6	36.4	37.5	40.6	43.5	34.6	35.6	38.5	41.3	32.0	33.0	35.7	38.3
	S/T	0.79	0.71	0.54	0.35	0.82	0.74	0.56	0.36	0.84	0.76	0.57	0.37	0.87	0.78	0.59	0.38	0.90	0.81	0.61	0.39	0.91	0.82	0.62	0.40
	DT	21	20	16	11	21	20	16	11	21	20	16	11	22	20	16	11	21	20	16	11	20	18	15	10
kW	2.79	2.85	2.93	3.03	3.00	3.06	3.16	3.26	3.18	3.25	3.35	3.46	3.34	3.42	3.53	3.64	3.48	3.56	3.67	3.80	3.60	3.68	3.80	3.93	
Amps	12.3	12.5	12.9	13.3	13.2	13.4	13.8	14.3	14.1	14.4	14.9	15.4	15.0	15.3	15.8	16.3	15.8	16.2	16.7	17.2	16.7	17.1	17.6	18.2	
Hi PR	222	239	252	263	249	268	283	295	283	305	322	336	322	347	366	382	363	390	412	430	401	431	455	475	
Lo PR	109	116	127	135	116	123	134	143	120	128	139	149	126	134	147	156	132	141	154	164	137	145	159	169	
MBh	36.1	37.2	40.2	43.2	35.3	36.3	39.3	42.2	34.4	35.4	38.4	41.2	33.6	34.6	37.4	40.2	31.9	32.9	35.6	38.2	29.6	30.4	32.9	35.4	
S/T	0.77	0.69	0.52	0.33	0.79	0.71	0.54	0.35	0.81	0.73	0.55	0.35	0.84	0.75	0.57	0.37	0.87	0.78	0.59	0.38	0.88	0.79	0.60	0.38	
DT	22	20	16	11	22	20	16	11	22	20	16	11	22	20	17	11	22	20	16	11	20	19	15	11	
kW	2.72	2.78	2.87	2.95	2.93	2.99	3.08	3.18	3.11	3.17	3.27	3.38	3.26	3.33	3.44	3.55	3.40	3.47	3.58	3.70	3.51	3.59	3.71	3.83	
Amps	12.0	12.3	12.6	13.0	12.8	13.1	13.5	13.9	13.8	14.1	14.5	15.0	14.6	14.9	15.4	15.9	15.5	15.8	16.3	16.8	16.3	16.6	17.1	17.7	
Hi PR	215	232	245	255	241	260	274	286	275	296	312	325	313	337	355	371	352	379	400	417	389	418	442	461	
Lo PR	106	113	123	131	112	119	130	139	116	124	135	144	122	130	142	151	128	136	149	159	133	141	154	164	

IDB: Entering Indoor Dry Bulb Temperature
 High & low pressures are measured at the liquid & suction access fittings.
 Shaded area reflects ACCA (TVAP) conditions
 kW = Total system power
 Amps = outdoor unit amps (comp. + fans)

EXPANDED COOLING DATA — GPH1560M41** — LOW STAGE (CONT.)

IDB	AIRFLOW	OUTDOOR AMBIENT TEMPERATURE												ENTERING INDOOR WET BULB TEMPERATURE											
		65°F				75°F				85°F				95°F				105°F				115°F			
		59	63	67	71	59	63	67	71	59	63	67	71	59	63	67	71	59	63	67	71	59	63	67	71
80	MBh	41.0	41.9	44.8	47.9	40.1	40.9	43.7	46.7	39.1	40.0	42.7	45.6	38.1	39.0	41.6	44.5	36.2	37.0	39.6	42.3	33.6	34.3	36.6	39.2
	S/T	0.91	0.86	0.70	0.52	0.95	0.89	0.72	0.54	1.00	0.91	0.74	0.55	1.00	0.94	0.77	0.57	1.00	1.00	0.79	0.59	1.00	1.00	0.80	0.60
	ΔT	23	22	19	15	23	22	19	15	24	22	19	15	23	22	19	15	22	22	19	15	20	21	18	14
	kW	2.83	2.89	2.98	3.07	3.05	3.11	3.21	3.31	3.23	3.30	3.41	3.52	3.40	3.47	3.59	3.70	3.54	3.62	3.74	3.86	3.66	3.74	3.87	3.99
	Amps	12.5	12.7	13.1	13.5	13.4	13.6	14.0	14.5	14.4	14.7	15.1	15.6	15.2	15.6	16.0	16.6	16.1	16.5	17.0	17.5	17.0	17.3	17.9	18.5
	Hi PR	226	244	257	268	254	273	289	301	289	311	328	342	329	354	374	390	370	398	421	439	409	440	465	485
	Lo PR	112	119	130	138	118	125	137	146	123	130	142	152	129	137	149	159	135	143	157	167	140	148	162	173
	MBh	39.8	40.7	43.5	46.5	38.9	39.7	42.5	45.4	38.0	38.8	41.4	44.3	37.0	37.8	40.4	43.2	35.2	36.0	38.4	41.1	32.6	33.3	35.6	38.0
	S/T	0.87	0.82	0.67	0.50	0.90	0.85	0.69	0.52	0.93	0.87	0.71	0.53	0.96	0.90	0.73	0.55	0.99	0.93	0.76	0.57	1.00	0.94	0.76	0.57
	ΔT	24	23	20	16	24	23	20	16	24	23	20	16	24	23	20	16	24	23	20	16	22	21	19	15
kW	2.81	2.87	2.96	3.05	3.02	3.09	3.18	3.28	3.21	3.28	3.38	3.49	3.37	3.45	3.56	3.67	3.51	3.59	3.70	3.83	3.63	3.71	3.83	3.96	
Amps	12.4	12.6	13.0	13.4	13.3	13.5	13.9	14.4	14.3	14.6	15.0	15.5	15.1	15.4	15.9	16.4	16.0	16.3	16.8	17.4	16.8	17.2	17.7	18.3	
Hi PR	224	241	255	266	251	271	286	298	286	308	325	339	326	350	370	386	366	394	416	434	405	436	460	480	
Lo PR	110	118	128	137	117	124	136	144	121	129	141	150	127	136	148	158	134	142	155	165	138	147	160	171	
MBh	36.7	37.5	40.1	42.9	35.9	36.7	39.2	41.9	35.0	35.8	38.2	40.9	34.2	34.9	37.3	39.9	32.5	33.2	35.5	37.9	30.1	30.7	32.8	35.1	
S/T	0.84	0.79	0.64	0.48	0.87	0.82	0.67	0.50	0.89	0.84	0.68	0.51	0.92	0.86	0.70	0.53	0.96	0.90	0.73	0.55	0.97	0.91	0.74	0.55	
ΔT	24	23	20	16	24	23	20	16	24	23	20	16	25	24	20	16	24	23	20	16	23	22	19	15	
kW	2.75	2.80	2.89	2.98	2.95	3.01	3.11	3.20	3.13	3.20	3.30	3.40	3.29	3.36	3.47	3.58	3.43	3.50	3.61	3.73	3.54	3.62	3.74	3.86	
Amps	12.1	12.4	12.7	13.1	12.9	13.2	13.6	14.0	13.9	14.2	14.6	15.1	14.7	15.1	15.5	16.0	15.6	15.9	16.4	17.0	16.4	16.8	17.3	17.9	
Hi PR	217	234	247	258	244	262	277	289	277	298	315	329	316	340	359	374	355	382	404	421	393	423	446	465	
Lo PR	107	114	124	133	113	120	132	140	118	125	137	146	124	132	144	153	130	138	150	160	134	143	156	166	
85	MBh	41.7	42.5	44.5	47.5	40.8	41.5	43.5	46.4	39.8	40.6	42.5	45.3	38.8	39.6	41.4	44.2	36.9	37.6	39.4	42.0	34.2	34.8	36.5	38.9
	S/T	0.96	0.92	0.83	0.68	0.99	0.96	0.86	0.70	1.00	0.98	0.89	0.72	1.00	1.00	0.92	0.74	1.00	1.00	0.95	0.77	1.00	1.00	0.96	0.78
	ΔT	24	24	22	19	24	24	23	20	24	24	23	20	23	24	23	20	22	23	23	20	21	21	21	18
	kW	2.85	2.91	3.00	3.10	3.07	3.13	3.23	3.34	3.26	3.33	3.44	3.55	3.43	3.50	3.61	3.73	3.57	3.65	3.77	3.89	3.69	3.77	3.90	4.03
	Amps	12.6	12.8	13.2	13.6	13.5	13.7	14.1	14.6	14.5	14.8	15.2	15.7	15.4	15.7	16.2	16.7	16.2	16.6	17.1	17.7	17.1	17.5	18.0	18.6
	Hi PR	229	246	260	271	256	276	291	304	292	314	331	346	332	358	378	394	374	402	425	443	413	444	469	489
	Lo PR	113	120	131	139	119	127	138	147	124	132	144	153	130	138	151	161	136	145	158	169	141	150	164	174
	MBh	40.5	41.3	43.2	46.1	39.6	40.3	42.2	45.1	38.6	39.4	41.2	44.0	37.7	38.4	40.2	42.9	35.8	36.5	38.2	40.8	33.2	33.8	35.4	37.8
	S/T	0.91	0.88	0.80	0.65	0.95	0.91	0.82	0.67	0.97	0.94	0.85	0.69	1.00	0.97	0.87	0.71	1.00	1.00	0.91	0.74	1.00	1.00	0.91	0.74
	ΔT	25	25	23	20	26	25	24	21	26	25	24	21	26	25	24	21	24	25	24	20	23	23	22	19
kW	2.83	2.89	2.98	3.07	3.05	3.11	3.21	3.31	3.23	3.30	3.41	3.52	3.40	3.47	3.59	3.70	3.54	3.62	3.74	3.86	3.66	3.74	3.87	3.99	
Amps	12.5	12.7	13.1	13.5	13.4	13.6	14.0	14.5	14.4	14.7	15.1	15.6	15.2	15.6	16.0	16.6	16.1	16.5	17.0	17.5	17.0	17.3	17.9	18.5	
Hi PR	226	244	257	268	254	273	289	301	289	311	328	342	329	354	374	390	370	398	421	439	409	440	465	485	
Lo PR	112	119	130	138	118	125	137	146	123	130	142	152	129	137	149	159	135	143	157	167	140	148	162	173	
MBh	37.4	38.1	39.9	42.6	36.5	37.2	39.0	41.6	35.6	36.3	38.1	40.6	34.8	35.5	37.1	39.6	33.0	33.7	35.3	37.6	30.6	31.2	32.7	34.9	
S/T	0.88	0.85	0.77	0.62	0.91	0.88	0.80	0.65	0.94	0.90	0.82	0.66	0.97	0.93	0.84	0.68	1.00	0.97	0.87	0.71	1.00	0.98	0.88	0.71	
ΔT	26	25	24	21	26	26	24	21	26	26	24	21	26	26	24	21	26	25	24	21	24	24	22	19	
kW	2.77	2.82	2.91	3.00	2.97	3.04	3.13	3.23	3.16	3.22	3.33	3.43	3.32	3.39	3.50	3.61	3.45	3.53	3.64	3.76	3.57	3.65	3.77	3.89	
Amps	12.2	12.4	12.8	13.2	13.0	13.3	13.7	14.1	14.0	14.3	14.7	15.2	14.9	15.2	15.6	16.2	15.7	16.1	16.5	17.1	16.5	16.9	17.4	18.0	
Hi PR	220	236	249	260	246	265	280	292	280	301	318	332	319	343	363	378	359	386	408	425	397	427	451	470	
Lo PR	108	115	126	134	114	122	133	141	119	126	138	147	125	133	145	154	131	139	152	162	135	144	157	167	

IDB: Entering Indoor Dry Bulb Temperature
 High & low pressures are measured at the liquid & suction access fittings.
 Shaded area reflects AHRI (TVSA) conditions
 kW = Total system power
 Amps = outdoor unit amps (comp. + fans)

EXPANDED COOLING DATA — GP1560M41** - HIGH STAGE

IDB	AIRFLOW	OUTDOOR AMBIENT TEMPERATURE												ENTERING INDOOR WET BULB TEMPERATURE													
		65°F				75°F				85°F				95°F				105°F				115°F					
		59	63	67	71	59	63	67	71	59	63	67	71	59	63	67	71	59	63	67	71	59	63	67	71		
70	2025	MBh	54.4	56.4	61.8	-	53.2	55.1	60.4	-	51.9	53.8	58.9	-	50.6	52.5	57.5	-	48.1	49.9	54.6	-	44.6	46.2	50.6	-	
		S/T	0.71	0.60	0.41	-	0.74	0.62	0.43	-	0.76	0.63	0.44	-	0.78	0.65	0.45	-	0.81	0.68	0.47	-	0.82	0.68	0.47	-	
		DT	18	15	12	-	18	15	12	-	18	15	12	-	18	16	12	-	18	15	12	-	17	14	11	-	
	1800	kW	4.22	4.31	4.44	-	4.54	4.63	4.78	-	4.82	4.92	5.08	-	5.06	5.17	5.34	-	5.27	5.39	5.56	-	5.45	5.57	5.75	-	
		Amps	18.4	18.8	19.3	-	19.7	20.1	20.7	-	21.1	21.6	22.2	-	22.4	22.9	23.6	-	23.7	24.2	25.0	-	25.0	25.5	26.3	-	
		Hi PR	240	258	273	-	269	290	306	-	306	330	348	-	349	375	396	-	392	422	446	-	434	467	493	-	
	1575	Lo PR	106	112	123	-	112	119	130	-	116	124	135	-	122	130	142	-	128	136	148	-	132	141	154	-	
		MBh	52.8	54.8	60.0	-	51.6	53.5	58.6	-	50.4	52.2	57.2	-	49.2	50.9	55.8	-	46.7	48.4	53.0	-	43.3	44.8	49.1	-	
		S/T	0.68	0.57	0.39	-	0.70	0.59	0.41	-	0.72	0.60	0.42	-	0.75	0.62	0.43	-	0.77	0.65	0.45	-	0.78	0.65	0.45	-	
	75	2025	DT	18	16	12	-	19	16	12	-	19	16	12	-	19	16	12	-	18	16	12	-	17	15	11	-
			kW	4.19	4.28	4.41	-	4.50	4.60	4.74	-	4.78	4.88	5.03	-	5.02	5.13	5.29	-	5.23	5.34	5.52	-	5.41	5.53	5.71	-
			Amps	18.2	18.6	19.1	-	19.5	19.9	20.5	-	21.0	21.4	22.1	-	22.2	22.7	23.4	-	23.5	24.0	24.8	-	24.8	25.3	26.1	-
1800		Hi PR	238	256	270	-	267	287	303	-	303	326	345	-	345	372	392	-	388	418	441	-	429	462	488	-	
		Lo PR	105	111	122	-	111	118	128	-	115	122	134	-	121	128	140	-	127	135	147	-	131	139	152	-	
		MBh	48.8	50.5	55.4	-	47.6	49.4	54.1	-	46.5	48.2	52.8	-	45.4	47.0	51.5	-	43.1	44.7	48.9	-	39.9	41.4	45.3	-	
1575		S/T	0.66	0.55	0.38	-	0.68	0.57	0.39	-	0.70	0.58	0.40	-	0.72	0.60	0.42	-	0.75	0.62	0.43	-	0.75	0.63	0.44	-	
		DT	19	16	12	-	19	16	12	-	19	16	12	-	19	16	13	-	19	16	12	-	18	15	12	-	
		kW	4.09	4.18	4.30	-	4.40	4.49	4.63	-	4.66	4.76	4.91	-	4.90	5.01	5.16	-	5.10	5.21	5.38	-	5.27	5.39	5.56	-	
75		2025	Amps	17.8	18.2	18.7	-	19.0	19.4	20.0	-	20.5	20.9	21.5	-	21.7	22.2	22.8	-	22.9	23.4	24.1	-	24.2	24.7	25.4	-
			Hi PR	230	248	262	-	259	278	294	-	294	316	334	-	335	360	381	-	377	406	428	-	416	448	473	-
			Lo PR	102	108	118	-	107	114	125	-	112	119	130	-	117	125	136	-	123	131	143	-	127	135	147	-
75	2025	MBh	55.3	57.0	61.7	66.2	54.1	55.7	60.2	64.7	52.8	54.3	58.8	63.1	51.5	53.0	57.4	61.6	48.9	50.4	54.5	58.5	45.3	46.6	50.5	54.2	
		S/T	0.81	0.73	0.55	0.35	0.84	0.75	0.57	0.37	0.86	0.77	0.58	0.38	0.89	0.80	0.60	0.39	0.92	0.83	0.62	0.40	0.93	0.83	0.63	0.41	
		DT	20	19	15	11	21	19	16	11	21	19	16	11	21	19	16	11	21	20	19	15	11	19	18	14	10
	1800	kW	4.26	4.34	4.48	4.62	4.57	4.67	4.82	4.97	4.86	4.96	5.12	5.28	5.10	5.21	5.38	5.56	5.32	5.43	5.61	5.79	5.50	5.62	5.80	6.00	
		Amps	18.5	18.9	19.4	20.1	19.8	20.2	20.8	21.5	21.3	21.8	22.4	23.2	22.6	23.1	23.8	24.6	23.9	24.4	25.2	26.0	25.2	25.8	26.5	27.5	
		Hi PR	242	261	275	287	272	293	309	322	309	333	352	367	352	379	400	418	396	427	450	470	438	471	498	519	
	1575	Lo PR	107	114	124	132	113	120	131	140	117	125	136	145	123	131	143	152	129	137	150	160	134	142	155	165	
		MBh	53.7	55.3	59.9	64.3	52.5	54.0	58.5	62.8	51.2	52.8	57.1	61.3	50.0	51.5	55.7	59.8	47.5	48.9	52.9	56.8	44.0	45.3	49.0	52.6	
		S/T	0.77	0.69	0.52	0.34	0.80	0.72	0.54	0.35	0.82	0.73	0.56	0.36	0.85	0.76	0.57	0.37	0.88	0.79	0.60	0.38	0.89	0.79	0.60	0.39	
	75	2025	DT	21	20	16	11	21	20	16	11	21	20	16	11	22	20	16	11	21	20	16	11	20	18	15	10
			kW	4.22	4.31	4.44	4.58	4.54	4.63	4.78	4.93	4.82	4.92	5.08	5.24	5.06	5.17	5.34	5.51	5.27	5.39	5.56	5.75	5.45	5.57	5.75	5.95
			Amps	18.4	18.8	19.3	19.9	19.7	20.1	20.7	21.3	21.1	21.6	22.2	23.0	22.4	22.9	23.6	24.4	23.7	24.2	25.0	25.8	25.0	25.5	26.3	27.2
1800		Hi PR	240	258	273	284	269	290	306	319	306	330	348	363	349	375	396	413	392	422	446	465	434	467	493	514	
		Lo PR	106	113	123	131	112	119	130	138	116	124	135	144	122	130	142	151	128	136	148	158	132	141	154	164	
		MBh	49.6	51.1	55.3	59.3	48.4	49.9	54.0	57.9	47.3	48.7	52.7	56.6	46.1	47.5	51.4	55.2	43.8	45.1	48.8	52.4	40.6	41.8	45.2	48.6	
1575		S/T	0.75	0.67	0.50	0.32	0.77	0.69	0.52	0.34	0.79	0.71	0.54	0.35	0.82	0.73	0.55	0.36	0.85	0.76	0.57	0.37	0.86	0.77	0.58	0.37	
		DT	22	20	16	11	22	20	16	11	22	20	16	11	22	20	17	11	22	20	16	11	20	19	15	11	
		kW	4.13	4.21	4.34	4.47	4.43	4.52	4.66	4.81	4.70	4.80	4.95	5.11	4.94	5.05	5.21	5.38	5.14	5.25	5.42	5.60	5.32	5.43	5.61	5.80	
75		2025	Amps	18.0	18.3	18.8	19.4	19.2	19.6	20.2	20.8	20.6	21.1	21.7	22.4	21.9	22.4	23.0	23.8	23.1	23.6	24.3	25.2	24.4	24.9	25.6	26.5
			Hi PR	233	251	265	276	261	281	297	310	297	320	338	352	338	364	385	401	381	410	433	451	421	453	478	498
			Lo PR	103	109	119	127	108	115	126	134	113	120	131	139	118	126	137	146	124	132	144	153	128	136	149	159

IDB: Entering Indoor Dry Bulb Temperature
 High & low pressures are measured at the liquid & suction access fittings.
 Shaded area reflects ACCA (TVA) conditions
 kW = Total system power
 Amps = outdoor unit amps (comp. + fans)

EXPANDED COOLING DATA — GPH1560M41** — HIGH STAGE (CONT.)

IDB	AIRFLOW	OUTDOOR AMBIENT TEMPERATURE									ENTERING INDOOR WET BULB TEMPERATURE																
		65°F			75°F			85°F			95°F			105°F			115°F										
		59	63	67	71	59	63	67	71	59	63	67	71	59	63	67	71	59	63	67	71						
70	2025	MBh	56.3	57.6	61.5	65.7	55.0	56.2	60.1	64.2	53.7	54.9	58.6	62.7	52.4	53.5	57.2	61.2	49.8	50.9	54.3	58.1	46.1	47.1	50.3	53.8	
		S/T	0.89	0.83	0.68	0.51	0.92	0.86	0.70	0.53	0.94	0.89	0.72	0.54	1.00	0.91	0.74	0.56	1.00	0.95	0.77	0.58	1.00	0.96	0.78	0.58	
		ΔT	23	22	19	15	23	22	19	15	23	22	19	15	24	22	19	15	23	20	19	15	21	20	18	14	
	1800	kW	4.29	4.38	4.51	4.65	4.61	4.71	4.86	5.01	4.90	5.00	5.16	5.33	5.15	5.26	5.43	5.61	5.36	5.48	5.65	5.84	5.54	5.67	5.85	6.05	
		Amps	18.7	19.1	19.6	20.2	20.0	20.4	21.0	21.7	21.5	22.0	22.6	23.4	22.8	23.3	24.0	24.8	24.1	24.6	25.4	26.3	25.4	26.0	26.8	27.7	
		Hi PR	245	263	278	290	275	296	312	326	312	336	355	370	356	383	404	422	400	431	455	475	442	476	503	524	
	1575	Lo PR	108	115	125	133	114	121	132	141	118	126	138	147	124	132	145	154	130	139	151	161	135	144	157	167	
		MBh	54.7	55.9	59.7	63.8	53.4	54.6	58.3	62.3	52.1	53.3	56.9	60.9	50.9	52.0	55.5	59.4	48.3	49.4	52.8	56.4	44.8	45.7	48.9	52.2	
		S/T	0.85	0.80	0.65	0.48	0.88	0.82	0.67	0.50	0.90	0.85	0.69	0.51	0.93	0.87	0.71	0.53	0.97	0.91	0.74	0.55	0.97	0.91	0.74	0.56	
	75	2025	ΔT	24	23	20	16	24	23	20	16	24	23	20	16	24	23	20	16	24	23	20	16	22	21	19	15
			kW	4.26	4.34	4.48	4.62	4.57	4.67	4.82	4.97	4.86	4.96	5.12	5.28	5.10	5.22	5.38	5.56	5.32	5.43	5.61	5.79	5.50	5.62	5.80	6.00
			Amps	18.5	18.9	19.4	20.1	19.8	20.2	20.8	21.5	21.3	21.8	22.4	23.2	22.6	23.1	23.8	24.6	23.9	24.4	25.2	26.0	25.2	25.8	26.5	27.5
1800		Hi PR	242	261	275	287	272	293	309	322	309	333	352	367	352	379	400	418	396	427	450	470	438	471	498	519	
		Lo PR	107	114	124	132	113	120	131	140	117	125	136	145	123	131	143	152	129	137	150	160	134	142	155	165	
		MBh	50.5	51.6	55.1	58.9	49.3	50.4	53.8	57.5	48.1	49.2	52.5	56.2	47.0	48.0	51.3	54.8	44.6	45.6	48.7	52.1	41.3	42.2	45.1	48.2	
1575		S/T	0.82	0.77	0.62	0.47	0.85	0.79	0.65	0.48	0.87	0.81	0.66	0.50	0.90	0.84	0.68	0.51	0.93	0.87	0.71	0.53	0.94	0.88	0.72	0.54	
		ΔT	24	23	20	16	24	23	20	16	24	23	20	16	25	24	20	16	24	23	20	16	23	22	19	15	
		kW	4.16	4.24	4.37	4.51	4.47	4.56	4.70	4.85	4.74	4.84	4.99	5.15	4.98	5.09	5.25	5.42	5.19	5.30	5.47	5.65	5.36	5.48	5.66	5.85	
77		2025	Amps	18.1	18.5	19.0	19.6	19.4	19.8	20.3	21.0	20.8	21.2	21.9	22.6	22.1	22.5	23.2	24.0	23.3	23.8	24.5	25.4	24.6	25.1	25.9	26.8
			Hi PR	235	253	267	279	264	284	300	313	300	323	341	356	342	368	388	405	385	414	437	456	425	457	483	504
			Lo PR	104	110	120	128	109	116	127	135	114	121	132	141	120	127	139	148	125	133	145	155	130	138	150	160
	1800	MBh	57.3	58.4	61.2	65.3	56.0	57.1	59.8	63.8	54.6	55.7	58.3	62.2	53.3	54.3	56.9	60.7	50.7	51.6	54.1	57.7	46.9	47.8	50.1	53.4	
		S/T	0.93	0.90	0.81	0.66	0.97	0.93	0.84	0.68	0.99	0.96	0.86	0.70	1.00	0.99	0.89	0.72	1.00	1.00	0.92	0.75	1.00	1.00	0.93	0.76	
		ΔT	24	24	23	20	25	24	23	20	25	24	23	20	24	24	23	20	23	23	23	20	21	22	21	18	
	1575	kW	4.32	4.41	4.55	4.69	4.65	4.75	4.90	5.05	4.93	5.04	5.20	5.37	5.19	5.30	5.47	5.65	5.40	5.52	5.70	5.89	5.59	5.71	5.90	6.10	
		Amps	18.8	19.2	19.8	20.4	20.1	20.6	21.2	21.9	21.7	22.1	22.8	23.6	23.0	23.5	24.2	25.0	24.3	24.9	25.6	26.5	25.6	26.2	27.0	27.9	
		Hi PR	247	266	281	293	277	299	315	329	316	340	359	374	359	387	408	426	404	435	460	479	447	481	508	530	
	79	2025	Lo PR	109	116	127	135	115	122	134	142	120	127	139	148	126	134	146	155	132	140	153	163	136	145	158	169
			MBh	55.6	56.7	59.4	63.4	54.4	55.4	58.0	61.9	53.1	54.1	56.6	60.4	51.8	52.8	55.3	59.0	49.2	50.1	52.5	56.0	45.6	46.4	48.6	51.9
			S/T	0.89	0.86	0.77	0.63	0.92	0.89	0.80	0.65	0.94	0.91	0.82	0.67	0.98	0.94	0.85	0.69	1.00	0.98	0.88	0.72	1.00	0.98	0.89	0.72
1800		ΔT	25	25	23	20	26	25	24	21	26	25	24	21	26	25	24	21	25	25	24	20	23	23	22	19	
		kW	4.29	4.38	4.51	4.65	4.61	4.71	4.86	5.01	4.90	5.00	5.16	5.33	5.15	5.26	5.43	5.61	5.36	5.48	5.65	5.84	5.54	5.67	5.85	6.05	
		Amps	18.7	19.1	19.6	20.2	20.0	20.4	21.0	21.7	21.5	22.0	22.6	23.4	22.8	23.3	24.0	24.8	24.1	24.6	25.4	26.3	25.4	26.0	26.8	27.7	
1575		Hi PR	245	263	278	290	275	296	312	326	312	336	355	370	356	383	404	422	400	431	455	475	442	476	503	524	
		Lo PR	108	115	125	133	114	121	132	141	118	126	138	147	124	132	145	154	130	139	151	161	135	144	157	167	
		MBh	51.4	52.4	54.8	58.5	50.2	51.1	53.6	57.1	49.0	49.9	52.3	55.8	47.8	48.7	51.0	54.4	45.4	46.3	48.5	51.7	42.0	42.9	44.9	47.9	
79		S/T	0.86	0.83	0.75	0.61	0.89	0.86	0.77	0.63	0.91	0.88	0.79	0.64	0.94	0.91	0.82	0.66	0.98	0.94	0.85	0.69	0.98	0.95	0.86	0.70	
		ΔT	26	25	24	21	26	26	24	21	26	26	24	21	26	26	24	21	26	25	24	21	24	24	22	19	
		kW	4.19	4.28	4.41	4.54	4.50	4.60	4.74	4.89	4.78	4.88	5.03	5.20	5.02	5.13	5.29	5.47	5.23	5.34	5.51	5.70	5.41	5.52	5.70	5.89	
80	Amps	18.2	18.6	19.1	19.8	19.5	19.9	20.5	21.2	21.0	21.4	22.0	22.8	22.2	22.7	23.4	24.2	23.5	24.0	24.8	25.6	24.8	25.3	26.1	27.0		
	Hi PR	237	256	270	281	266	287	303	316	303	326	344	359	345	371	392	409	388	418	441	460	429	462	488	509		
	Lo PR	105	111	122	129	111	118	128	137	115	122	133	142	121	128	140	149	127	135	147	156	131	139	152	162		

IDB: Entering Indoor Dry Bulb Temperature
High & low pressures are measured at the liquid & suction access fittings.

Shaded area reflects AHRI (TVSA) conditions

kW = Total system power
Amps = outdoor unit amps (comp. + fans)

EXPANDED HEATING DATA

GPH1524M41**

	OUTDOOR AMBIENT TEMPERATURE																	
	65	60	55	50	47	45	40	35	30	25	20	17	15	10	5	0	-5	-10
MBh	29.4	27.8	26.2	24.5	23.4	22.7	21.1	19.4	15.6	14.4	13.2	12.5	12.0	10.8	9.6	8.4	7.1	5.8
ΔT	31.7	30.0	28.2	26.4	25.2	24.4	22.7	20.9	16.8	15.5	14.3	13.5	13.0	11.6	10.3	9.0	7.7	6.3
kW	2.08	2.04	2.00	1.96	1.94	1.92	1.88	1.84	1.81	1.77	1.73	1.71	1.69	1.65	1.61	1.57	1.53	1.49
Amps	10.8	10.2	9.6	9.2	8.9	8.8	8.4	8.0	7.8	7.5	7.2	7.1	7.0	6.8	6.4	6.2	5.8	5.4
COP	4.14	4.00	3.84	3.66	3.54	3.46	3.28	3.09	2.52	2.38	2.24	2.15	2.09	1.92	1.74	1.56	1.36	1.15
EER	14.2	13.7	13.1	12.5	12.1	11.8	11.2	10.6	8.6	8.1	7.7	7.3	7.1	6.6	6.0	5.3	4.7	3.9
HI PR	388	372	358	342	334	328	315	302	290	277	266	259	255	245	235	226	218	210
LO PR	145	134	126	115	109	105	96	86	77	69	61	57	55	46	40	34	29	23

GPH1530M41**

	OUTDOOR AMBIENT TEMPERATURE																	
	65	60	55	50	47	45	40	35	30	25	20	17	15	10	5	0	-5	-10
MBh	34.4	32.6	30.7	28.7	27.4	26.6	24.7	22.7	18.8	17.4	16.0	15.1	14.5	13.0	11.6	10.1	8.6	7.1
ΔT	31.9	30.2	28.4	26.6	25.4	24.6	22.8	21.1	17.4	16.1	14.8	14.0	13.5	12.1	10.7	9.3	8.0	6.5
kW	2.31	2.27	2.22	2.18	2.15	2.13	2.09	2.04	2.08	2.03	1.98	1.95	1.93	1.89	1.84	1.79	1.74	1.69
Amps	11.4	10.7	10.0	9.5	9.2	9.0	8.5	8.2	7.8	7.5	7.2	7.1	7.0	6.7	6.3	6.0	5.6	5.1
COP	4.36	4.21	4.04	3.86	3.73	3.65	3.46	3.26	2.65	2.51	2.36	2.26	2.20	2.03	1.84	1.65	1.45	1.22
EER	14.9	14.4	13.8	13.2	12.8	12.5	11.8	11.2	9.1	8.6	8.1	7.7	7.5	6.9	6.3	5.6	4.9	4.2
HI PR	383	368	353	338	330	324	311	299	286	273	262	256	251	242	233	223	215	208
LO PR	138	128	120	110	104	100	92	82	74	66	58	54	52	44	38	32	28	22

GPH1536M41**

	OUTDOOR AMBIENT TEMPERATURE																	
	65	60	55	50	47	45	40	35	30	25	20	17	15	10	5	0	-5	-10
MBh	44.6	42.2	39.8	37.2	35.5	34.4	32.0	29.5	23.2	21.4	19.7	18.6	17.9	16.1	14.3	12.4	10.6	8.7
ΔT	34.4	32.6	30.7	28.7	27.4	26.5	24.7	22.7	17.9	16.5	15.2	14.4	13.8	12.4	11.0	9.6	8.2	6.7
kW	3.24	3.18	3.11	3.05	3.01	2.98	2.92	2.85	2.43	2.37	2.32	2.29	2.26	2.21	2.15	2.10	2.04	1.99
Amps	17.4	16.2	15.3	14.5	14.1	13.9	13.2	12.6	12.2	11.7	11.3	11.1	10.9	10.5	9.9	9.5	8.9	8.3
COP	4.03	3.89	3.74	3.57	3.45	3.38	3.21	3.02	2.80	2.64	2.49	2.38	2.32	2.13	1.94	1.73	1.52	1.28
EER	13.8	13.3	12.8	12.2	11.8	11.5	11.0	10.3	9.6	9.0	8.5	8.1	7.9	7.3	6.6	5.9	5.2	4.4
HI PR	454	435	418	400	390	383	368	353	338	323	310	303	297	286	275	264	254	245
LO PR	137	127	119	109	103	99	91	81	73	65	57	53	52	44	38	32	28	22

GPH1543M41**

	OUTDOOR AMBIENT TEMPERATURE																	
	65	60	55	50	47	45	40	35	30	25	20	17	15	10	5	0	-5	-10
MBh	50.2	47.5	44.7	41.8	39.9	38.7	35.9	33.1	23.2	21.4	19.7	18.6	17.9	16.1	14.3	12.4	10.6	8.7
ΔT	38.7	36.6	34.5	32.2	30.8	29.8	27.7	25.6	17.9	16.5	15.2	14.4	13.8	12.4	11.0	9.6	8.2	6.7
kW	3.45	3.38	3.31	3.24	3.20	3.17	3.10	3.03	2.43	2.37	2.32	2.29	2.26	2.21	2.15	2.10	2.04	1.99
Amps	18.5	17.3	16.3	15.5	15.0	14.8	14.0	13.4	12.9	12.5	12.0	11.7	11.6	11.1	10.5	10.0	9.4	8.7
COP	4.25	4.11	3.95	3.77	3.65	3.57	3.39	3.20	2.80	2.64	2.49	2.38	2.32	2.13	1.94	1.73	1.52	1.28
EER	14.5	14.0	13.5	12.9	12.5	12.2	11.6	10.9	9.6	9.0	8.5	8.1	7.9	7.3	6.6	5.9	5.2	4.4
HI PR	413	395	380	364	355	348	335	321	308	294	282	275	271	260	250	240	231	223
LO PR	143	133	125	114	108	104	96	85	77	69	60	56	54	46	39	33	29	23

Notes

Above information is for nominal CFM and 70-degree indoor dry bulb. Instantaneous capacity listed.

High pressure is measured at the liquid line access fitting.

Amps: Unit amps (comp.+ evaporator motor + condenser fan motor)

Low pressure is measured at the compressor suction access fitting.

kW = Total system power

EXPANDED HEATING DATA (CONT.)

GPH1549M41**

LOW STAGE

	OUTDOOR AMBIENT TEMPERATURE																	
	65	60	55	50	47	45	40	35	30	25	20	17	15	10	5	0	-5	-10
MBh	40.0	37.8	35.6	33.3	31.8	30.8	28.6	26.4	21.8	20.1	18.5	17.5	16.9	15.1	13.4	11.7	10.0	8.2
ΔT	30.8	29.2	27.5	25.7	24.5	23.8	22.1	20.4	16.8	15.5	14.3	13.5	13.0	11.7	10.3	9.0	7.7	6.3
kW	3.04	2.98	2.92	2.86	2.83	2.80	2.74	2.69	2.81	2.74	2.68	2.64	2.62	2.55	2.49	2.43	2.36	2.30
Amps	11.5	10.8	10.2	9.7	9.4	9.3	8.8	8.5	8.2	7.9	7.6	7.5	7.4	7.1	6.8	6.5	6.1	5.7
COP	3.85	3.72	3.57	3.41	3.29	3.22	3.05	2.88	2.27	2.15	2.02	1.94	1.88	1.73	1.58	1.41	1.24	1.04
EER	13.1	12.7	12.2	11.6	11.2	11.0	10.4	9.8	7.8	7.3	6.9	6.6	6.4	5.9	5.4	4.8	4.2	3.6
HI PR	395	379	364	348	340	334	321	308	295	282	270	264	259	249	240	230	222	214
LO PR	139	129	121	111	105	101	93	83	75	67	59	54	52	44	38	32	28	22

GPH1549M41**

HIGH STAGE

	OUTDOOR AMBIENT TEMPERATURE																	
	65	60	55	50	47	45	40	35	30	25	20	17	15	10	5	0	-5	-10
MBh	57.9	54.8	51.6	48.2	46.0	44.6	41.4	38.2	31.9	29.4	27.1	25.6	24.6	22.1	19.6	17.1	14.6	11.9
ΔT	39.8	37.7	35.5	33.2	31.7	30.7	28.5	26.3	21.9	20.2	18.6	17.6	17.0	15.2	13.5	11.8	10.0	8.2
kW	3.99	3.91	3.83	3.75	3.70	3.66	3.59	3.51	3.53	3.44	3.36	3.31	3.28	3.20	3.12	3.03	2.95	2.87
Amps	20.2	18.8	17.7	16.8	16.3	16.0	15.2	14.5	14.0	13.4	12.9	12.6	12.5	11.9	11.2	10.7	10.0	9.2
COP	4.25	4.11	3.95	3.77	3.64	3.56	3.38	3.19	2.64	2.50	2.36	2.26	2.20	2.02	1.84	1.65	1.45	1.22
EER	14.5	14.0	13.5	12.9	12.4	12.2	11.6	10.9	9.0	8.5	8.1	7.7	7.5	6.9	6.3	5.6	4.9	4.2
HI PR	395	379	364	348	340	334	321	308	295	282	270	264	259	249	240	230	222	214
LO PR	143	133	125	114	108	104	96	85	77	69	60	56	54	46	39	33	29	23

GPH1560M41**

LOW STAGE

	OUTDOOR AMBIENT TEMPERATURE																	
	65	60	55	50	47	45	40	35	30	25	20	17	15	10	5	0	-5	-10
MBh	50.1	47.4	44.6	41.7	39.8	38.6	35.8	33.1	26.6	24.5	22.6	21.3	20.5	18.4	16.3	14.2	12.2	10.0
ΔT	34.3	32.5	30.6	28.6	27.3	26.5	24.6	22.7	18.2	16.8	15.5	14.6	14.1	12.6	11.2	9.8	8.3	6.8
kW	3.76	3.68	3.61	3.53	3.49	3.46	3.39	3.31	3.44	3.36	3.28	3.24	3.21	3.13	3.05	2.97	2.89	2.81
Amps	19.6	18.2	17.2	16.2	15.7	15.4	14.6	14.0	13.4	12.9	12.4	12.1	12.0	11.4	10.8	10.2	9.6	8.8
COP	3.90	3.76	3.62	3.45	3.34	3.26	3.09	2.92	2.26	2.13	2.01	1.93	1.87	1.72	1.57	1.40	1.23	1.04
EER	13.3	12.9	12.4	11.8	11.4	11.2	10.6	10.0	7.7	7.3	6.9	6.6	6.4	5.9	5.4	4.8	4.2	3.5
HI PR	391	375	361	345	337	330	318	305	292	279	268	261	257	247	237	228	220	212
LO PR	139	129	121	111	105	101	93	83	75	67	59	54	53	44	38	32	28	22

GPH1560M41**

HIGH STAGE

	OUTDOOR AMBIENT TEMPERATURE																	
	65	60	55	50	47	45	40	35	30	25	20	17	15	10	5	0	-5	-10
MBh	70.4	66.6	62.7	58.6	56.0	54.3	50.4	46.5	38.9	35.9	33.0	31.2	30.0	27.0	23.9	20.8	17.8	14.6
ΔT	36.2	34.3	32.3	30.2	28.8	27.9	25.9	23.9	20.0	18.5	17.0	16.0	15.5	13.9	12.3	10.7	9.1	7.5
kW	5.24	5.14	5.04	4.94	4.88	4.83	4.74	4.63	4.52	4.42	4.32	4.26	4.22	4.12	4.02	3.92	3.82	3.72
Amps	26.6	24.8	23.4	22.1	21.4	21.0	20.0	19.1	18.4	17.7	16.9	16.6	16.4	15.7	14.8	14.1	13.2	12.1
COP	3.93	3.79	3.64	3.48	3.36	3.29	3.11	2.94	2.52	2.38	2.24	2.14	2.08	1.92	1.74	1.56	1.36	1.15
EER	13.4	13.0	12.5	11.9	11.5	11.2	10.6	10.0	8.6	8.1	7.7	7.3	7.1	6.5	5.9	5.3	4.7	3.9
HI PR	411	394	379	362	354	347	333	320	306	293	281	274	269	259	249	239	230	222
LO PR	130	121	113	104	98	94	87	77	70	62	55	51	49	42	36	30	26	21

Notes

Above information is for nominal CFM and 70-degree indoor dry bulb. Instantaneous capacity listed.

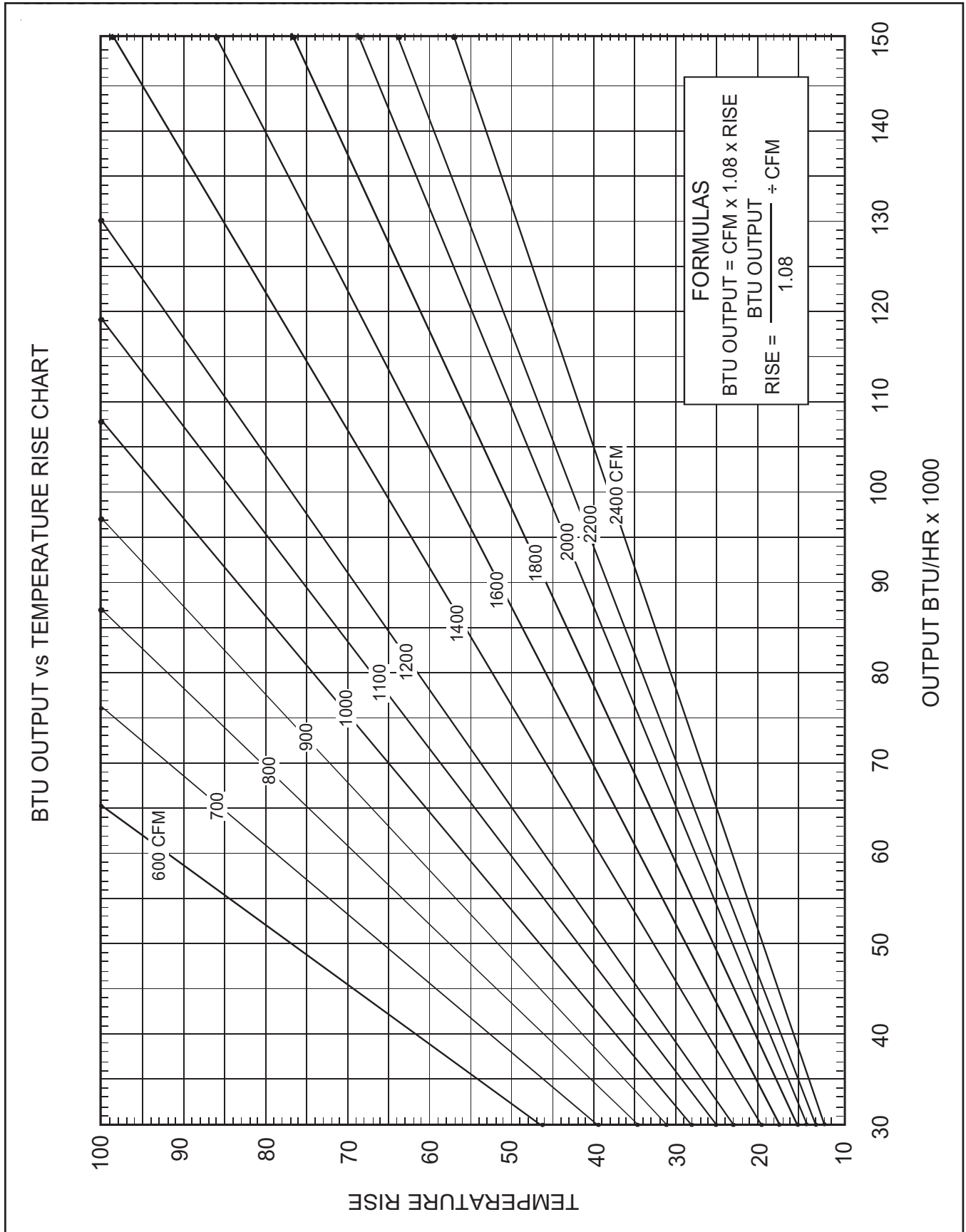
High pressure is measured at the liquid line access fitting.

Amps: Unit amps (comp.+ evaporator motor + condenser fan motor)

Low pressure is measured at the compressor suction access fitting.

kW = Total system power

TEMPERATURE RISE RANGE CHART



AIRFLOW DATA

MODEL	MOTOR SPEED	VOLTS	E.S.P (IN. OF H ₂ O)									
				0.1	0.2	0.3	0.4	0.5	0.6	0.7	0.8	
GPH15 24M41B*	T1 (G)	230	CFM	888	808	727	647	567	---	---	---	
			Watts	77	84	92	99	107	---	---	---	
	T2 / T3 (W2)	230	CFM	929	850	772	694	615	537	---	---	
			Watts	86	94	101	109	116	124	---	---	
	T4 / T5 (Y)	230	CFM	1,106	1,036	966	895	825	755	685	---	
			Watts	128	135	143	150	158	165	173	---	
GPH15 30M41B*	T1 (G)	230	CFM	912	833	753	674	595	---	---	---	
			Watts	82	90	97	105	112	---	---	---	
	T2 / T3 (W2)	230	CFM	1,096	1,025	954	884	813	742	672	601	
			Watts	125	133	140	148	155	163	170	178	
	T4 / T5 (Y)	230	CFM	1,307	1,246	1,185	1,124	1,063	1,002	941	880	
			Watts	174	182	189	197	204	212	219	227	
GPH15 36M41B*	T1 (G)	230	CFM	867	789	711	632	554	---	---	---	
			Watts	77	84	90	97	103	---	---	---	
	T2 / T3 (W2)	230	CFM	1,272	1,222	1,173	1,123	1,074	1,024	974	925	
			Watts	223	230	236	243	249	256	262	269	
	T4 / T5 (Y)	230	CFM	1,446	1,396	1,347	1,297	1,248	1,198	1,148	1,099	
			Watts	287	293	300	306	313	319	326	332	
GPH15 36M41B*	T1 (G)	230	CFM	867	789	711	632	554	---	---	---	
			Watts	77	84	90	97	103	---	---	---	
	T2 / T3 (W2)	230	CFM	1,272	1,222	1,173	1,123	1,074	1,024	974	925	
			Watts	223	230	236	243	249	256	262	269	
	T4 / T5 (Y)	230	CFM	1,446	1,396	1,347	1,297	1,248	1,198	1,148	1,099	
			Watts	287	293	300	306	313	319	326	332	
GPH15 43M41B*	T1 (G)	230	CFM	1,167	1,118	1,068	1,018	968	918	868	818	
			Watts	127	137	148	158	168	179	189	199	
	T2 / T3 (W2)	230	CFM	1,375	1,325	1,275	1,225	1,175	1,125	1,076	1,026	
			Watts	220	231	241	252	262	272	283	293	
	T4 / T5 (Y)	230	CFM	1,634	1,584	1,534	1,484	1,434	1,384	1,334	1,285	
			Watts	337	348	358	368	379	389	399	410	
GPH15 49M41B*	T1 (G)	230	CFM	1,167	1,118	1,068	1,018	968	918	868	818	
			Watts	127	137	148	158	168	179	189	199	
	T2 (Y)	230	CFM	1,451	1,401	1,351	1,302	1,252	1,202	1,152	1,102	
				Watts	255	265	276	286	296	307	317	327
	T3 (W2)	230	CFM	1,806	1,756	1,707	1,657	1,607	1,557	1,507	1,457	
			Watts	415	426	436	446	457	467	477	488	
T4 (YHS)	230	CFM	1,806	1,756	1,707	1,657	1,607	1,557	1,507	1,457		
			Watts	415	426	436	446	457	467	477	488	
T5 (W2HS)	230	CFM	1,930	1,880	1,830	1,780	1,730	1,680	1,630	1,581		
			Watts	471	481	492	502	512	523	533	543	
GPH15 60M41B*	T1 (G)	230	CFM	1,378	1,335	1,292	1,249	1,206	1,162	1,119	1,076	
			Watts	200	210	220	230	240	250	260	269	
	T2 / T3 (W2)	230	CFM	1,891	1,848	1,804	1,761	1,718	1,675	1,632	1,589	
			Watts	515	525	535	544	554	564	574	584	
	T4 / T5 (Y)	230	CFM	2,035	1,992	1,949	1,906	1,863	1,819	1,776	1,733	
			Watts	604	613	623	633	643	653	663	673	

G = Fan only W2 = Heat mode Y = Cooling mode

Notes

- Data shown is dry coil. Wet coil pressure drop is approximately 0.1" H₂O, for two-row indoor coil; 0.2" H₂O, for three-row indoor coil; and 0.3" H₂O, for four-row indoor coil.
- Data shown does not include filter pressure drop, approx. 0.08" H₂O.
- ALL MODELS SHOULD RUN NO LESS THAN 350 CFM/TON. USE HIGHER SPEED TAP OR NEXT SIZE LARGER BLOWER ASM. See Repair Parts list.
- Reduce airflow by 2% for 208-volt operation.

AUXILIARY HEATING DATA

GPH1524M41** CONDITIONS: 860 CFM; INDOOR AIR @ 70°F DB

OUTDOOR AMBIENT °F.	BASIC UNIT W/O AUX. HEAT		CAPACITY OF UNIT W/ kW OF AUX. HEAT				
	CAPACITY BTU/H	COP	5K	8K	10K	15K	20K
65	29.41	4.14	45.80	56.72	62.18	---	---
60	27.85	4.00	44.23	55.15	60.61	---	---
55	26.21	3.84	42.59	53.51	58.97	---	---
50	24.50	3.66	40.88	51.80	57.26	---	---
45	22.67	3.46	39.06	49.98	55.44	---	---
40	21.06	3.28	37.44	48.36	53.82	---	---
35	19.42	3.09	35.80	46.73	52.19	---	---
30	15.59	2.52	31.97	42.89	48.35	---	---
25	14.39	2.38	30.77	41.69	47.15	---	---
20	13.25	2.24	29.63	40.55	46.01	---	---
15	12.05	2.09	28.43	39.35	44.81	---	---
10	10.81	1.92	27.19	38.11	43.57	---	---
5	9.58	1.74	25.97	36.89	42.35	---	---
0	8.36	1.56	24.74	35.66	41.12	---	---
-5	7.13	1.36	23.51	34.43	39.90	---	---
-10	5.84	1.15	22.22	33.15	38.61	---	---

GPH1530M41* CONDITIONS: 1000 CFM INDOOR AIR @ 70°F DB

OUTDOOR AMBIENT °F.	BASIC UNIT W/O AUX. HEAT		CAPACITY OF UNIT W/ kW OF AUX. HEAT				
	CAPACITY BTU/H	COP	5K	8K	10K	15K	20K
65	34.44	4.36	51.51	61.75	68.57	85.64	---
60	32.61	4.21	49.67	59.91	66.74	83.80	---
55	30.69	4.04	47.75	57.99	64.82	81.88	---
50	28.69	3.86	45.75	55.99	62.82	79.88	---
45	26.55	3.65	43.62	53.85	60.68	77.75	---
40	24.66	3.36	41.73	51.96	58.79	75.86	---
35	22.74	3.26	39.81	50.05	56.87	73.94	---
30	18.81	2.70	35.88	46.12	52.94	70.01	---
25	17.37	2.55	34.43	44.67	51.50	68.56	---
20	15.99	2.40	33.06	43.29	50.12	67.19	---
15	9.89	2.24	26.95	37.19	44.02	61.08	---
10	8.87	2.06	25.94	36.18	43.00	60.07	---
5	7.87	1.87	24.93	35.17	42.00	59.06	---
0	6.86	1.67	23.93	34.16	40.99	58.06	---
-5	5.85	1.47	22.92	33.16	39.98	57.05	---
-10	7.05	1.23	24.12	34.36	41.18	58.25	---

GPH1536M41** CONDITIONS: 1200 CFM; INDOOR AIR @ 70°F DB

OUTDOOR AMBIENT °F.	BASIC UNIT W/O AUX. HEAT		CAPACITY OF UNIT W/ kW OF AUX. HEAT				
	CAPACITY BTU/H	COP	5K	8K	10K	15K	20K
65	44.59	4.02	60.97	71.89	77.35	93.73	---
60	42.21	3.89	58.59	69.51	74.97	91.36	---
55	39.73	3.74	56.11	67.03	72.49	88.87	---
50	37.14	3.57	53.52	64.44	69.90	86.28	---
45	34.37	3.38	50.75	61.67	67.14	83.52	---
40	31.92	3.20	48.31	59.23	64.69	81.07	---
35	29.44	3.02	45.82	56.74	62.20	78.59	---
30	23.20	2.80	39.58	50.50	55.97	72.35	---
25	21.41	2.64	37.80	48.72	54.18	70.56	---
20	19.72	2.49	36.10	47.02	52.48	68.87	---
15	17.93	2.32	34.31	45.24	50.70	67.08	---
10	16.09	2.13	32.47	43.39	48.85	65.23	---
5	14.26	1.94	30.65	41.57	47.03	63.41	---
0	12.44	1.73	28.82	39.74	45.20	61.59	---
-5	10.61	1.52	27.00	37.92	43.38	59.76	---
-10	8.70	1.28	25.08	36.00	41.46	57.84	---

GPH1543M41* CONDITIONS: 1350 CFM; INDOOR AIR @ 70°F DB

OUTDOOR AMBIENT °F.	BASIC UNIT W/O AUX. HEAT		CAPACITY OF UNIT W/ kW OF AUX. HEAT				
	CAPACITY BTU/H	COP	5K	8K	10K	15K	20K
65	50.28	4.31	67.35	77.58	84.41	101.48	---
60	47.60	4.16	64.67	74.90	81.73	98.80	---
55	44.80	4.00	61.87	72.10	78.93	96.00	---
50	41.88	3.82	58.95	69.18	76.01	93.08	---
45	38.76	3.61	55.83	66.06	72.89	89.96	---
40	36.00	3.43	53.07	63.30	70.13	87.20	---
35	33.20	3.24	50.27	60.50	67.33	84.40	---
30	24.92	2.53	41.99	52.22	59.05	76.12	---
25	23.00	2.39	40.07	50.30	57.13	74.20	---
20	21.18	2.25	38.25	48.48	55.31	72.38	---
15	19.26	2.10	36.33	46.56	53.39	70.46	---
10	17.28	1.93	34.35	44.58	51.41	68.48	---
5	15.32	1.76	32.39	42.62	49.45	66.52	---
0	13.36	1.58	30.43	40.66	47.49	64.56	---
-5	11.40	1.38	28.47	38.70	45.53	62.60	---
-10	9.34	1.16	26.41	36.64	43.47	60.54	---

NOTES

- COP: Coefficient of performance
- To obtain BTU capacity of the unit with Kw of auxiliary heat, multiply by 1000 (example 39.01 x 1000 = 39,010 BTU'S)

AUXILIARY HEATING DATA (CONT.)

GPH1549M41** CONDITIONS: 1700 CFM INDOOR AIR @ 70°F DB

OUTDOOR AMBIENT °F.	BASIC UNIT W/O AUX. HEAT		CAPACITY OF UNIT W/ kW OF AUX. HEAT				
	CAPACITY BTU/H	COP	5K	8K	10K	15K	20K
65	57.38	4.00	73.76	84.69	90.15	106.53	122.91
60	54.32	3.86	70.71	81.63	87.09	103.47	119.85
55	51.13	3.70	67.51	78.43	83.89	100.28	116.66
50	47.80	3.53	64.18	75.10	80.56	96.94	113.33
45	44.23	3.34	60.62	71.54	77.00	93.38	109.76
40	41.09	3.16	57.47	68.39	73.85	90.23	106.61
35	37.89	2.98	54.27	65.19	70.65	87.04	103.42
30	30.65	2.45	47.03	57.96	63.42	79.80	96.18
25	28.29	2.32	44.67	55.59	61.05	77.44	93.82
20	26.05	2.18	42.43	53.36	58.82	75.20	91.58
15	23.69	2.03	40.07	50.99	56.45	72.84	89.22
10	21.25	1.86	37.64	48.56	54.02	70.40	86.78
5	18.84	1.69	35.23	46.15	51.61	67.99	84.37
0	16.43	1.51	32.82	43.74	49.20	65.58	81.96
-5	14.02	1.32	30.40	41.33	46.79	63.17	79.55
-10	11.49	1.11	27.87	38.79	44.25	60.64	77.02

GPH1560M41** CONDITIONS: 1800 CFM; INDOOR AIR @ 70°F DB

OUTDOOR AMBIENT °F.	BASIC UNIT W/O AUX. HEAT		CAPACITY OF UNIT W/ kW OF AUX. HEAT				
	CAPACITY BTU/H	COP	5K	8K	10K	15K	20K
65	70.39	3.93	86.77	97.70	103.16	119.54	135.92
60	66.64	3.79	83.02	93.94	99.40	115.79	132.17
55	62.72	3.64	79.10	90.02	95.48	111.87	128.25
50	58.63	3.48	75.01	85.94	91.40	107.78	124.16
45	54.26	3.29	70.65	81.57	87.03	103.41	119.79
40	50.40	3.11	66.78	77.70	83.16	99.55	115.93
35	46.48	2.94	62.86	73.78	79.24	95.63	112.01
30	38.88	2.52	55.26	66.18	71.64	88.02	104.40
25	35.88	2.38	52.26	63.18	68.64	85.03	101.41
20	33.04	2.24	49.42	60.34	65.81	82.19	98.57
15	30.05	2.08	46.43	57.35	62.81	79.19	95.58
10	26.96	1.92	43.34	54.26	59.72	76.10	92.49
5	23.90	1.74	40.28	51.20	56.66	73.05	89.43
0	20.84	1.56	37.22	48.15	53.61	69.99	86.37
-5	17.78	1.36	34.17	45.09	50.55	66.93	83.31
-10	14.57	1.15	30.95	41.87	47.34	63.72	80.10

NOTES

- COP: Coefficient of performance
- To obtain BTU capacity of the unit with Kw of auxiliary heat, multiply by 1000 (example 39.01 x 1000 = 39,010 BTU'S)

HEAT KIT ELECTRICAL DATA (BLOWER ONLY, HEAT MODE)

MODEL AND HEAT KIT USAGE	CIRCUIT #1		CIRCUIT #2		SINGLE-POINT KIT		ACTUAL kW / BTU@ 240V
	MCA ¹	MOP ²	MCA ¹	MOP ²	MCA ¹	MOP ²	
GPH1524M41**	5.4	---	---	---	--	--	---
HKR-05*, HKR-05C*	21 / 25	25 / 25	---	---	46	50	4.75 / 16,200
HKR-08*, HKR-08C*	32 / 36	35 / 40	---	---	58	60	7.0 / 23,800
HKR-10*, HKR-10C*	43 / 49	45 / 50	---	---	71	80	9.5 / 32,400
GPH1530M41**	5.4	---	---	---	--	--	---
HKR-05*, HKR-05C*	21 / 25	25 / 25	---	---	48	50	4.75 / 16,200
HKR-08*, HKR-08C*	32 / 36	35 / 40	---	---	60	60	7.0 / 23,800
HKR-10*, HKR-10C*	43 / 49	45 / 50	---	---	73	80	9.5 / 32,400
HKP-15C*	43 / 49	45 / 50	21 / 25	25 / 25	97	100	14.25 / 48,600
GPH1536M41**	5.4	---	---	---	--	--	---
HKR-05*, HKR-05C*	21 / 25	25 / 25	---	---	51	60	4.75 / 16,200
HKR-08*, HKR-08C*	32 / 36	35 / 40	---	---	63	70	7.0 / 23,800
HKR-10*, HKR-10C*	43 / 49	45 / 50	---	---	76	80	9.5 / 32,400
HKP-15C*	43 / 49	45 / 50	21 / 25	25 / 25	101	110	14.25 / 48,600
GPH1543M41**	3.6	---	---	---	--	--	---
HKR-05*, HKR-05C*	21 / 25	25 / 25	---	---	51	60	4.75 / 16,200
HKR-08*, HKR-08C*	32 / 36	35 / 40	---	---	63	70	7.0 / 23,800
HKR-10*, HKR-10C*	43 / 49	45 / 50	---	---	76	80	9.5 / 32,400
HKP-15C*	43 / 49	45 / 50	21 / 25	25 / 25	101	110	14.25 / 48,600
GPH1549M41**	3.6	---	---	---	--	--	---
HKR-05*, HKR-05C*	21 / 25	25 / 25	---	---	56	70	4.75 / 16,200
HKR-08*, HKR-08C*	32 / 36	35 / 40	---	---	67	80	7.00 / 23,800
HKR-10*, HKR-10C*	43 / 49	45 / 50	---	---	80	90	9.50 / 32,400
HKP-15C*	43 / 49	45 / 50	21 / 25	25 / 25	105	110	14.25 / 48,600
HKP-20C*	43 / 49	45 / 50	43 / 49	45 / 50	132	150	19.0 / 64,800
GPH1560M41**	8.8	---	---	---	--	--	---
HKR-05*, HKR-05C*	21 / 25	25 / 25	---	---	67	80	4.75 / 16,200
HKR-08*, HKR-08C*	32 / 36	35 / 40	---	---	79	90	7.0 / 23,800
HKR-10*, HKR-10C*	43 / 49	45 / 50	---	---	92	100	9.5 / 32,400
HKP-15C*	43 / 49	45 / 50	21 / 25	25 / 25	116	125	14.25 / 48,600
HKP-20C*	43 / 49	45 / 50	43 / 49	45 / 50	144	150	19.0 / 64,800

¹ Minimum Circuit Ampacity @ 208 / 240 V

² Maximum Overcurrent Protection Device @ 208 / 240 V

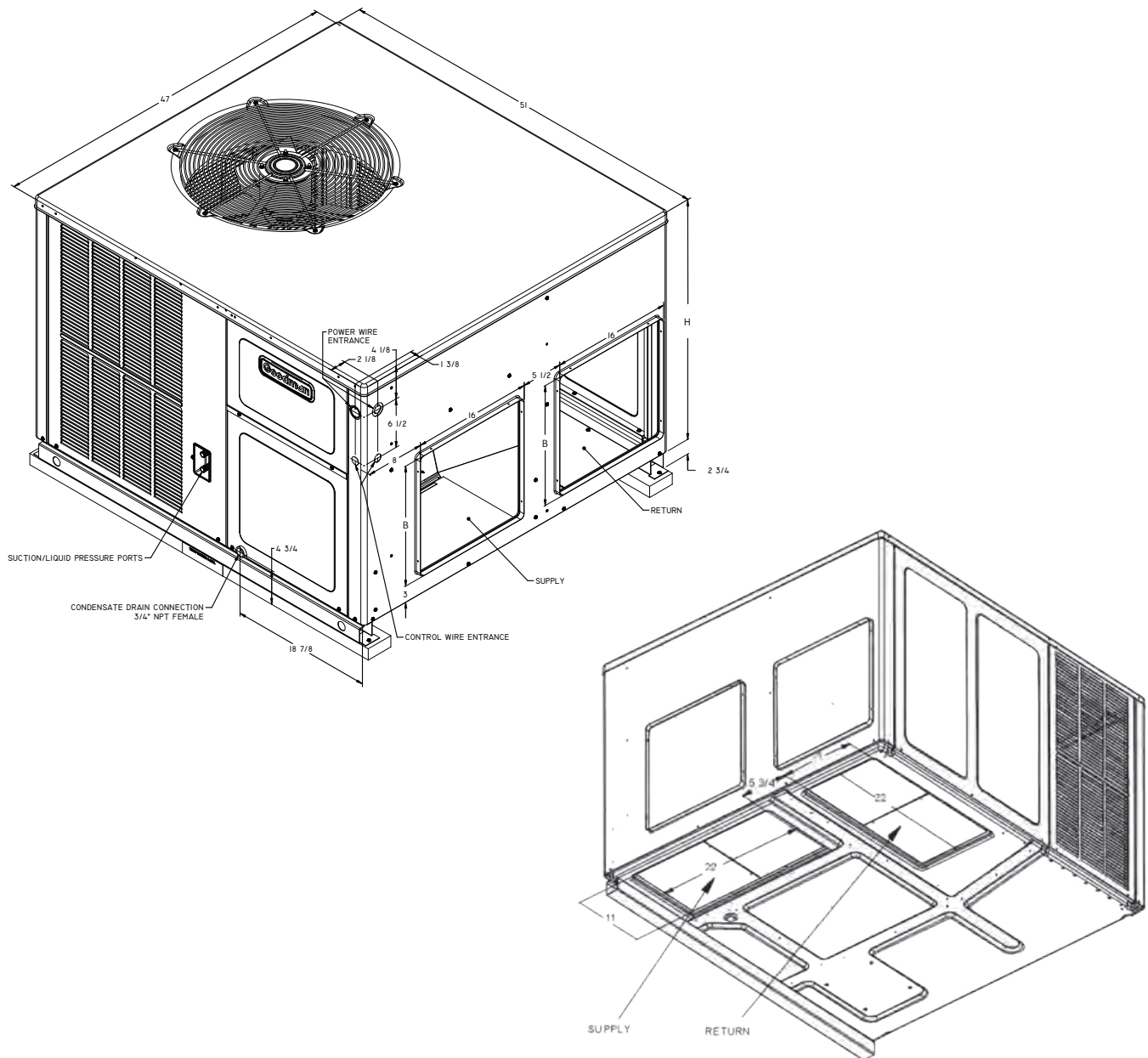
* Revision level that may or may not be designated

C Circuit breaker option

^ Heat Kit requires three-phase power supply

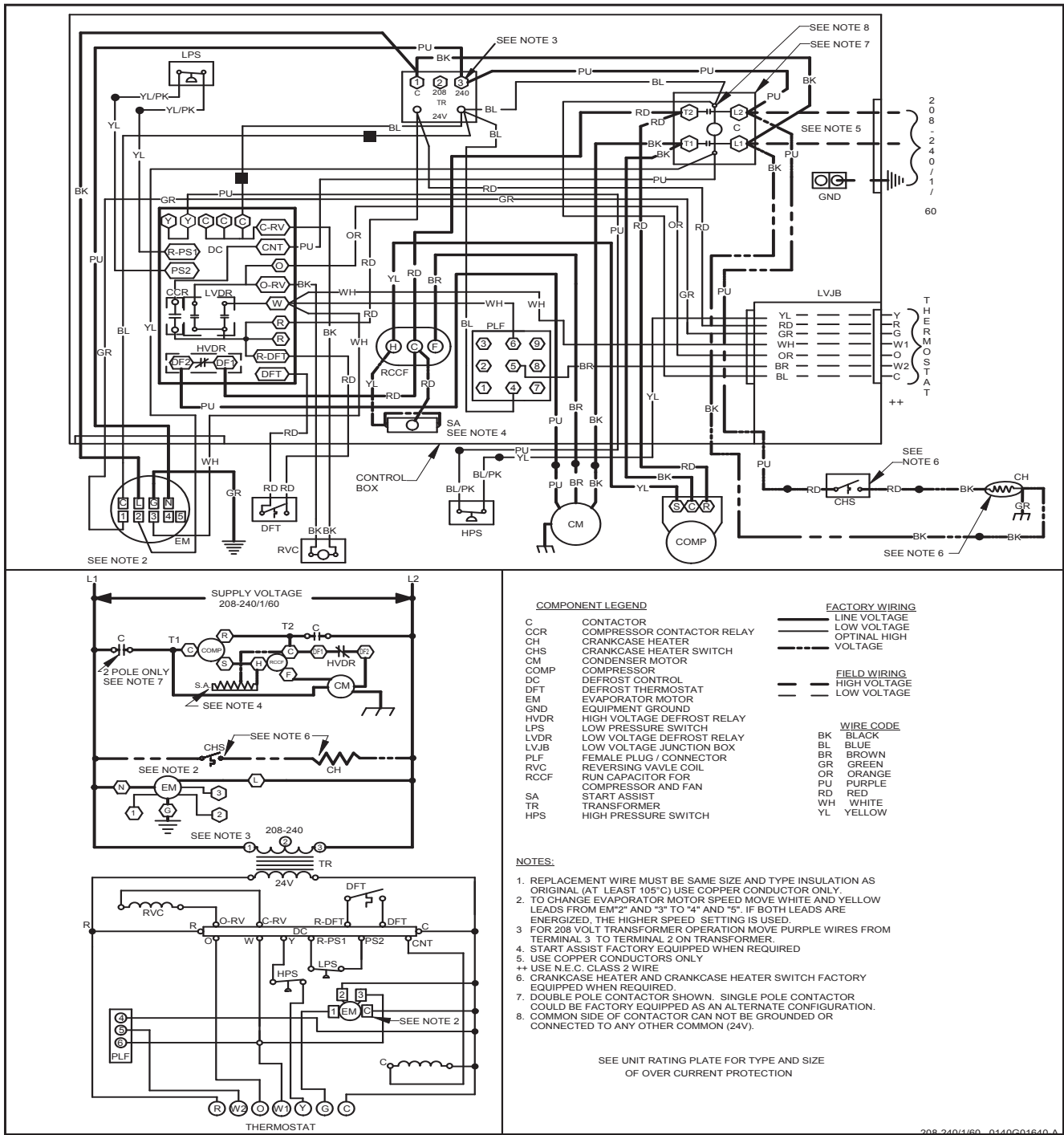
NOTE: HKP-15C* and HKP-20C* replace HKR-15C and HKR-20C respectively to meet new UL1995 requirements.

DIMENSIONS



MODEL	MED.	LARGE	W"	D'	H'	B	H
GPH1524M41**	X		47	51	34 3/4	16"	32 1/2"
GPH1530M41**	X		47	51	34 3/4	16"	32 1/2"
GPH1536M41**	X		47	51	34 3/4	16"	32 1/2"
GPH1543M41**		X	47	51	42 1/4	18"	40"
GPH1549M41**		X	47	51	42 1/4	18"	40"
GPH1560M41**		X	47	51	42 1/4	18"	40"

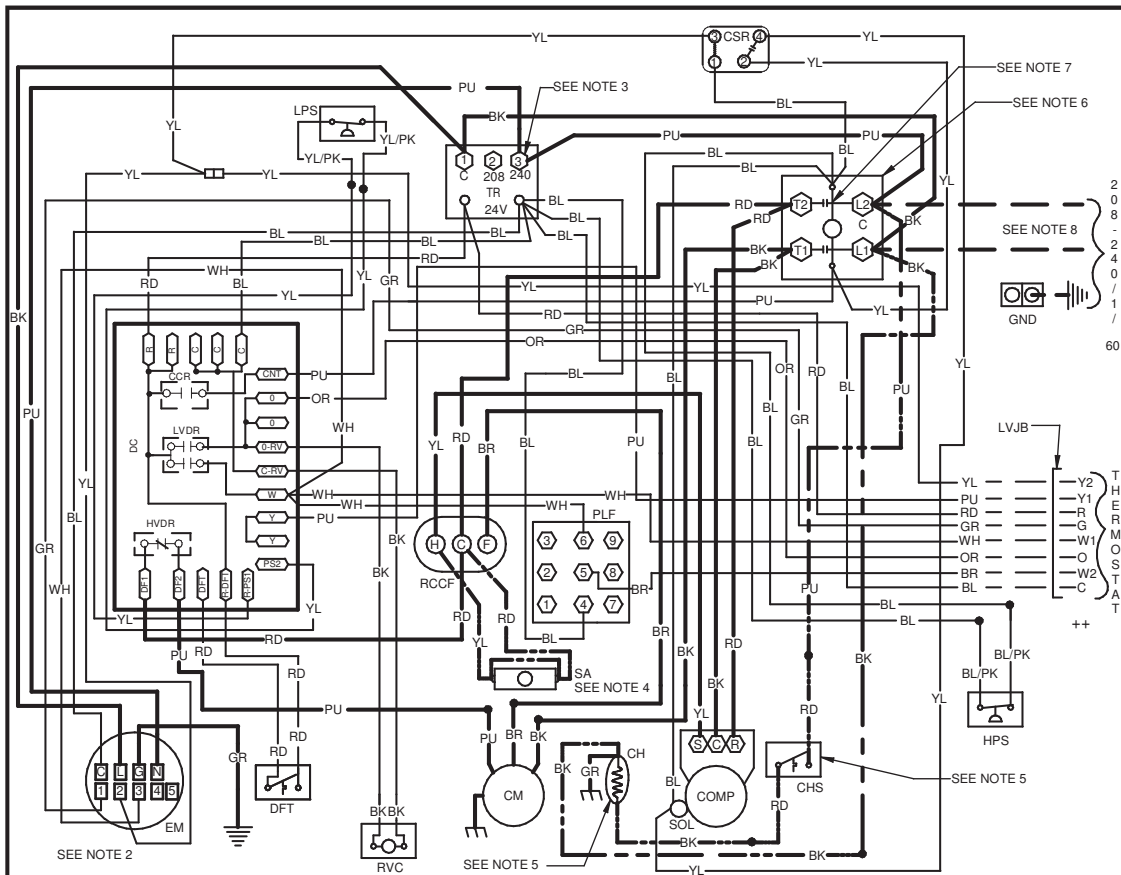
WIRING DIAGRAM — GPH1524-43M41**



Wiring is subject to change. Always refer to the wiring diagram or the unit for the most up-to-date wiring.

	WARNING	<p>High Voltage: Disconnect all power before servicing or installing this unit. Multiple power sources may be present. Failure to do so may cause property damage, personal injury, or death.</p>	
--	----------------	--	--

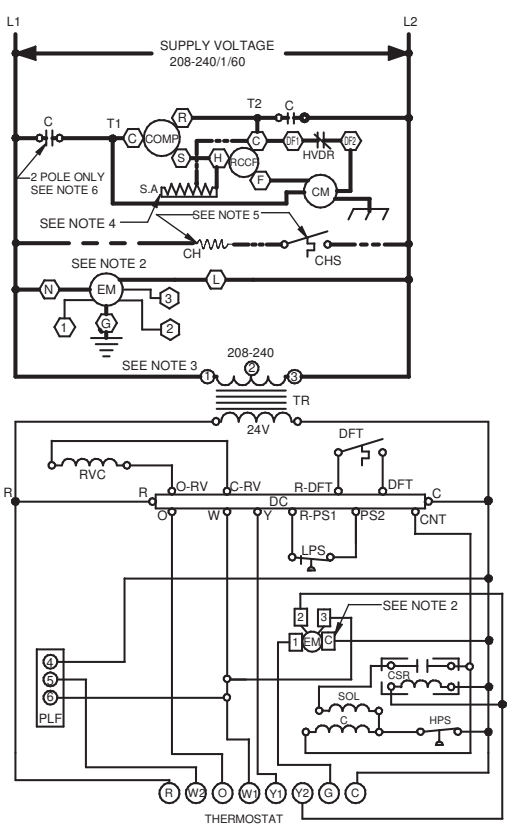
WIRING DIAGRAM — GPH1542/49-60M41**



High Voltage: Disconnect all power before servicing or installing this unit. Multiple power sources may be present. Failure to do so may cause property damage, personal injury, or death.

WARNING

Wiring is subject to change. Always refer to the wiring diagram or the unit for the most up-to-date wiring.



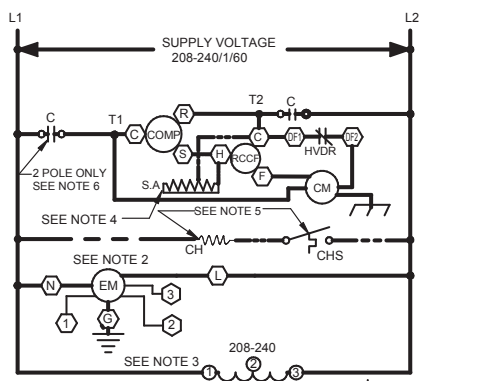
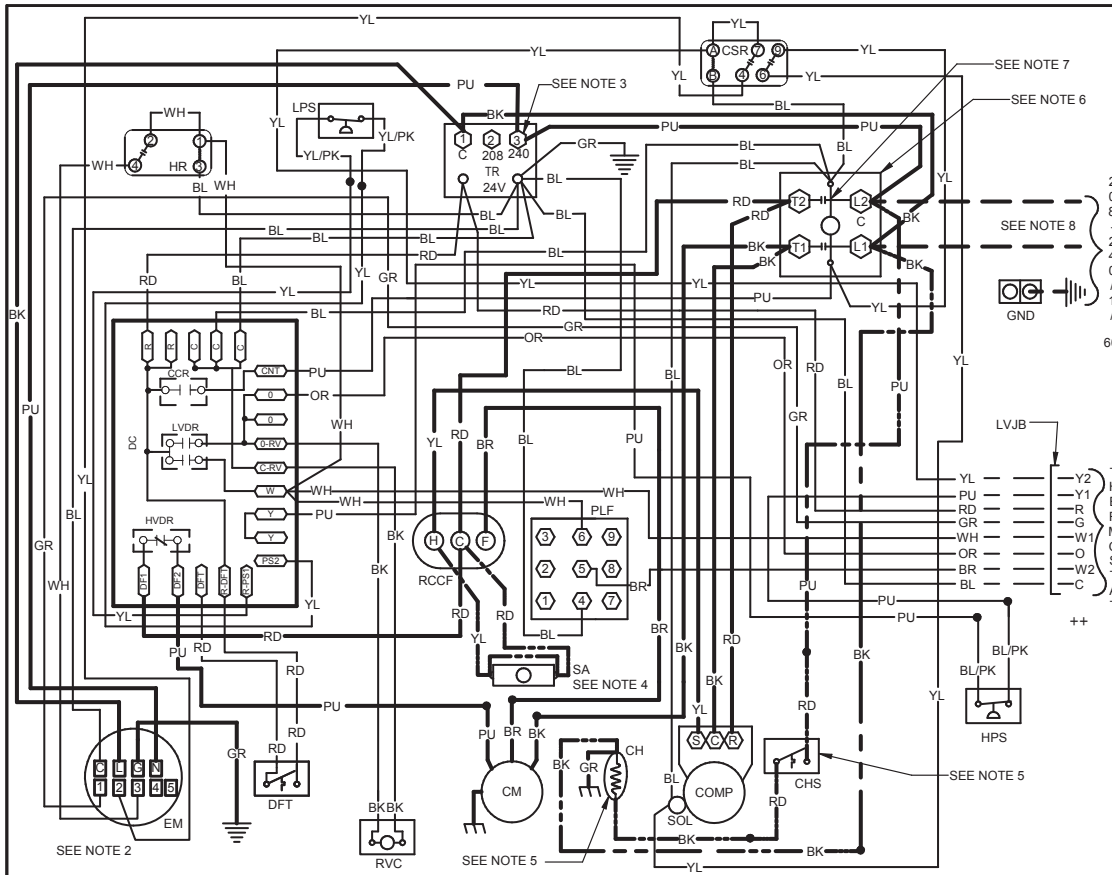
COMPONENT LEGEND		FACTORY WIRING
C	CONTACTOR	— LINE VOLTAGE
CCR	COMPRESSOR CONTACTOR RELAY	— LOW VOLTAGE
CH	CRANKCASE HEATER	- - - OPTIONAL HIGH VOLTAGE
CHS	CRANKCASE HEATER SWITCH	— FIELD WIRING
COMP	CONDENSER MOTOR	— HIGH VOLTAGE
CM	COMPRESSOR SOLENOID RELAY	— LOW VOLTAGE
CSR	DEFROST CONTROL	
DC	DEFROST THERMOSTAT	
DFT	DEFROST THERMOSTAT	
EM	EVAPORATOR MOTOR	
GND	EQUIPMENT GROUND	
HPS	HIGH PRESSURE SWITCH	
HVDR	HIGH VOLTAGE DEFROST RELAY	
LPS	LOW PRESSURE SWITCH	
LVDR	LOW VOLTAGE DEFROST RELAY	
LVJB	LOW VOLTAGE JUNCTION BOX	
PLF	FEMALE PLUG / CONNECTOR	
RVC	REVERSING VALVE COIL	
RCCF	RUN CAPACITOR FOR COMPRESSOR AND FAN	
SA	START ASSIST	
SOL	HI STAGE SOLENOID	
TR	TRANSFORMER	

- NOTES:
- REPLACEMENT WIRE MUST BE SAME SIZE AND TYPE INSULATION AS ORIGINAL (AT LEAST 105°C) USE COPPER CONDUCTOR ONLY.
 - TO CHANGE EVAPORATOR MOTOR SPEED MOVE WHITE AND YELLOW LEADS FROM EM*2 AND *3 TO *4 AND *5. IF BOTH LEADS ARE ENERGIZED, THE HIGHER SPEED SETTING IS USED.
 - FOR 208 VOLT TRANSFORMER OPERATION MOVE PURPLE WIRES FROM TERMINAL 3 TO TERMINAL 2 ON TRANSFORMER.
 - START ASSIST FACTORY EQUIPPED WHEN REQUIRED.
 - CRANKCASE HEATER AND CRANKCASE HEATER SWITCH FACTORY EQUIPPED WHEN REQUIRED.
 - DOUBLE POLE CONTACTOR SHOWN. SINGLE POLE CONTACTOR COULD BE FACTORY EQUIPPED AS AN ALTERNATE CONFIGURATION.
 - COMMON SIDE OF CONTACTOR CAN NOT BE GROUNDED OR CONNECTED TO ANY OTHER COMMON (24V).
 - USE COPPER CONDUCTORS ONLY.
 - ++ USE N.E.C. CLASS 2 WIRE

SEE UNIT RATING PLATE FOR TYPE AND SIZE OF OVER CURRENT PROTECTION

0140G01644-B

WIRING DIAGRAM — GPH1549-60M41**




COMPONENT LEGEND		FACTORY WIRING	
C	CONTACTOR	—	LINE VOLTAGE
CCR	COMPRESSOR CONTACTOR RELAY	—	LOW VOLTAGE
CH	CRANKCASE HEATER	—	OPTIONAL HIGH VOLTAGE
CHS	CRANKCASE HEATER SWITCH	---	FIELD WIRING
CM	CONDENSER MOTOR	---	HIGH VOLTAGE
COMP	COMPRESSOR	---	LOW VOLTAGE
CSR	COMPRESSOR SOLENOID RELAY		
DC	DEFROST CONTROL		
DFT	DEFROST THERMOSTAT		
EM	EVAPORATOR MOTOR		
GND	EQUIPMENT GROUND		
HPS	HIGH PRESSURE SWITCH		
HR	HEAT RELAY		
HVDR	HIGH VOLTAGE DEFROST RELAY		
LPS	LOW PRESSURE SWITCH		
LVDR	LOW VOLTAGE DEFROST RELAY		
LVJB	LOW VOLTAGE JUNCTION BOX		
PLF	FEMALE PLUG / CONNECTOR		
RVC	REVERSING VALVE COIL		
RCCF	RUN CAPACITOR FOR COMPRESSOR AND FAN		
SA	START ASSIST		
SOL	HI STAGE SOLENOID		
TR	TRANSFORMER		

WIRE CODE	
BK	BLACK
BL	BLUE
BR	BROWN
GR	GREEN
OR	ORANGE
PU	PURPLE
RD	RED
WH	WHITE
YL	YELLOW

- NOTES:
- REPLACEMENT WIRE MUST BE SAME SIZE AND TYPE INSULATION AS ORIGINAL (AT LEAST 105°C) USE COPPER CONDUCTOR ONLY.
 - TO CHANGE EVAPORATOR MOTOR SPEED MOVE WHITE AND YELLOW LEADS FROM EM"2" AND "3" TO "4" AND "5". IF BOTH LEADS ARE ENERGIZED, THE HIGHER SPEED SETTING IS USED.
 - FOR 208 VOLT TRANSFORMER OPERATION MOVE PURPLE WIRES FROM TERMINAL 3 TO TERMINAL 2 ON TRANSFORMER.
 - START ASSIST FACTORY EQUIPPED WHEN REQUIRED
 - CRANKCASE HEATER AND CRANKCASE HEATER SWITCH FACTORY EQUIPPED WHEN REQUIRED.
 - DOUBLE POLE CONTACTOR SHOWN. SINGLE POLE CONTACTOR COULD BE FACTORY EQUIPPED AS AN ALTERNATE CONFIGURATION.
 - USE COPPER CONDUCTORS ONLY
++ USE N.E.C. CLASS 2 WIRE

SEE UNIT RATING PLATE FOR TYPE AND SIZE OF OVER CURRENT PROTECTION



0140G02414-A

WARNING
 High Voltage: Disconnect all power before servicing or installing this unit. Multiple power sources may be present. Failure to do so may cause property damage, personal injury, or death.

Wiring is subject to change. Always refer to the wiring diagram or the unit for the most up-to-date wiring.

ACCESSORIES

ACCESSORY DESCRIPTION	ITEM NUMBER	
	MEDIUM CHASSIS	LARGE CHASSIS
Concentric Kit	CDK36	CDK4872
Downflow Economizer	GPH13MED102	GPH13MED103
Downflow Internal Filter Rack	GPH13MFR102	GPH13MFR103
Downflow Manual Damper	PGMDD101/102	PGMDD103
Downflow Motorized Damper	PGMDMD101/102	PGMDMD103
Downflow Square to Round	SQRPG101/102	SQRPG103
External Horizontal Filter Rack	GPGHFR101-103	GPGHFR101-103
Horizontal Duct Cover	20464501PDGK	20464502PDGK
Horizontal Economizer	PEHH101/102	PEHH103
Horizontal manual Damper	PGMDH102	PGMDH103
Horizontal Motorized Damper	PGMDMH102	PGMDMH103
Horizontal Square to Round	SQRPGH101/102	SQRPGH103
Outdoor Thermostat & Emergency Heat Relay Kit	OT/EHR18-60	OT/EHR18-60
Outdoor Thermostat Kit w/ Lockout Stat	OT18-60A	OT18-60A
Roof Curb	PGC101/102/103	PGC101/102/103

NOTES