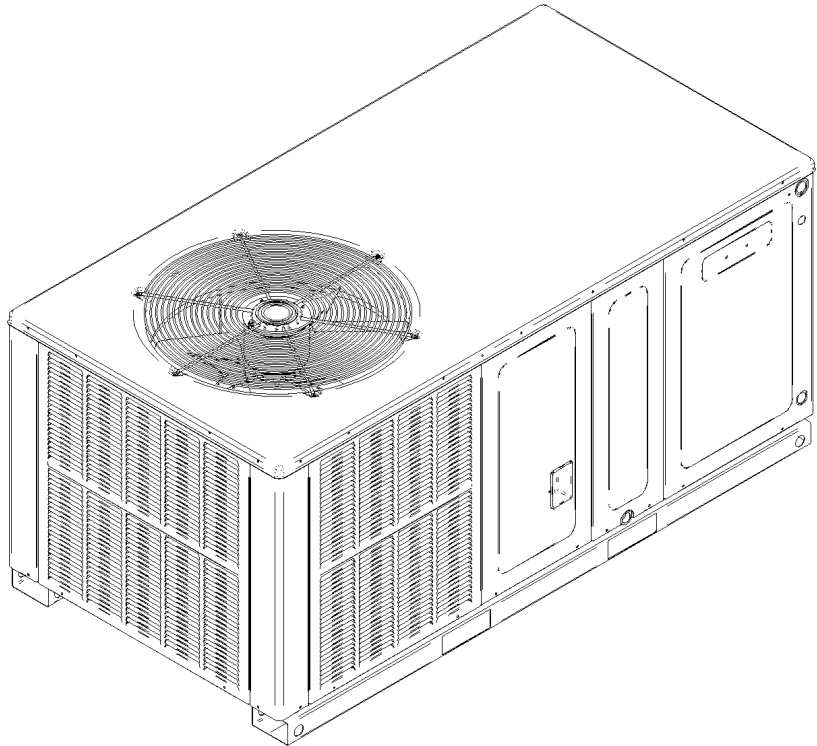


**GPH14 Horizontal Package Heat Pump**

GPH1424H41DC  
GPH1424H41DD  
GPH1430H41DC  
GPH1430H41DD  
GPH1436H41DC  
GPH1436H41DD  
GPH1442H41EA  
GPH1442H41EB  
GPH1442H41EC  
GPH1448H41EA  
GPH1448H41EB  
GPH1448H41EC  
GPH1460H41EA  
GPH1460H41EB  
GPH1460H41EC  
GPH1460H41FA



This manual is to be used by qualified technicians only.

This manual replaces RP-G3005B.

© 2014-2016 Goodman Manufacturing Company, L.P. ♦ 5151 San Felipe St., Suite 500 ♦ Houston, TX 77056

# Important Information

---

## Index

Functional Parts List .....	3
Illustration and Parts .....	4 - 11

*Views shown are for parts illustrations only, not servicing procedures*

### Text Codes:

AR - As Required

NA - Not Available

NS - Not Shown

00000000 - See Note

QTY - Quantity Example (QTY 3) (If Quantity not shown, Quantity = 1)

M - Model Example (M1) (If M Code not shown, then part is used on all Models)

### Expanded Model Nomenclature:

Example M1 - Model#1 M2 - Model#2 M3 - Model#3
---

Goodman Manufacturing Company, L.P. is not responsible for personal injury or property damage resulting from improper service. Review all service information before beginning repairs.

Warranty service must be performed by an authorized technician, using authorized factory parts. If service is required after the warranty expires, Goodman Manufacturing Company, L.P. also recommends contacting an authorized technician and using authorized factory parts.

Goodman Manufacturing Company, L.P. reserves the right to discontinue, or change at any time, specifications or designs without notice or without incurring obligations.

For assistance within the U.S.A. contact:  
Homeowner Support Department  
Goodman Manufacturing Company, L.P.  
19001 Kermier Road  
Waller, Texas 77484  
877-254-4729-Telephone  
713-863-2382-Facsimile

For assistance outside the U.S.A. contact:  
International Division  
Goodman Company, L.P.  
19001 Kermier Road  
Waller, Texas 77484  
713-861-2500-Telephone  
713-863-2382-Facsimile

# Functional Parts

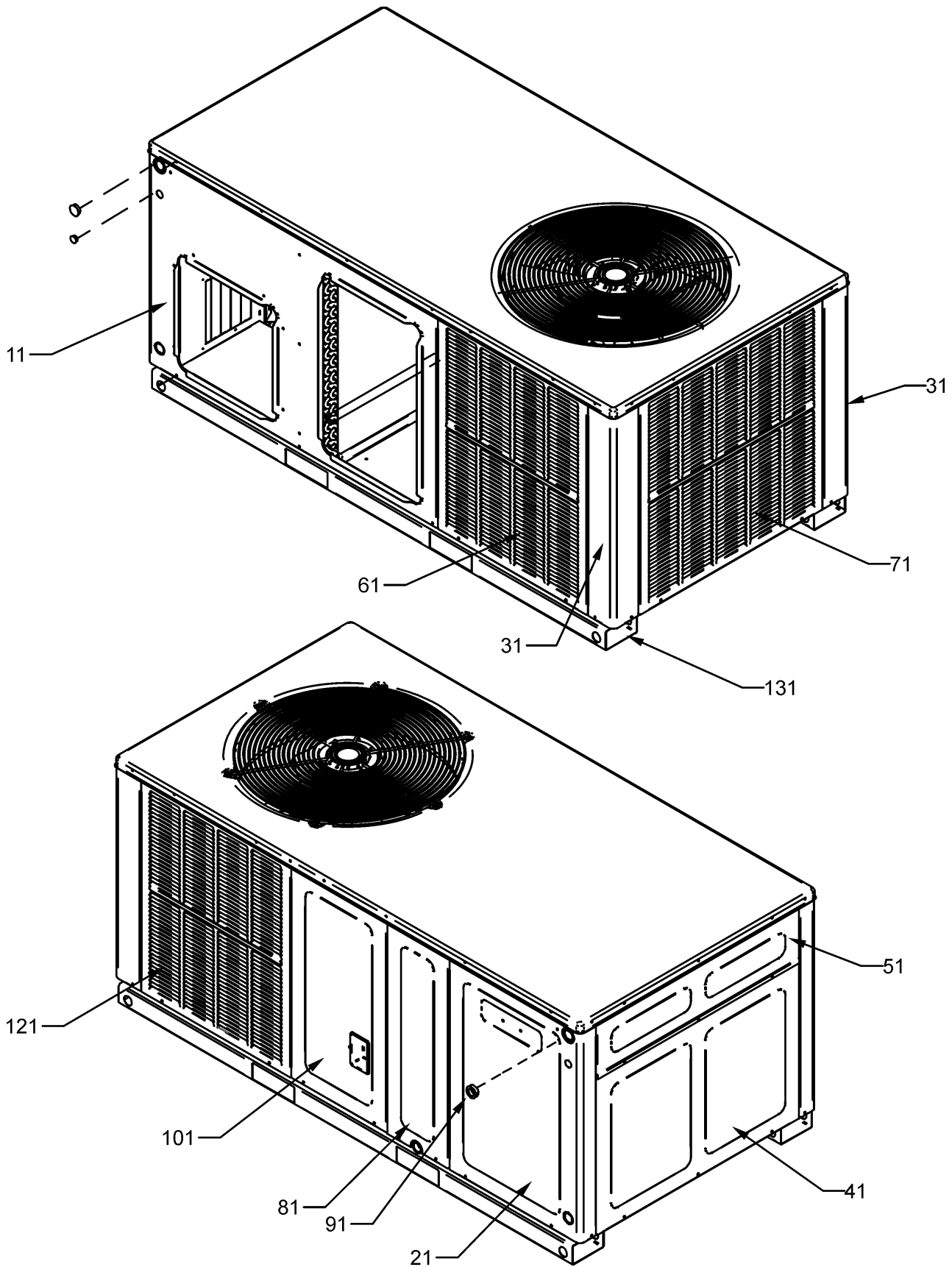
**Part No:**            **Description:**

B1368016	BLOWER WHEEL 10 X 8 (M1, M2, M3, M4, M5, M6, M7, M8, M9, M10, M11, M12)
B1368054	BLOWER WHEEL 11 X 8 (M13, M14, M15, M16)
CAP050400440CT	CAPACITOR 5/40/440V/DUAL RD (M1, M2, M3, M4)
CAP050450440CT	CAPACITOR 5/45/440V/DUAL RD (M5, M6, M7, M8, M9, M10, M11, M12)
CAP050700440CT	CAPACITOR 5/70/440V/DUAL RD (M13, M14, M15, M16)
ZP21K5EPFV130	COMPRESSOR 21300, 208/230/60/1 (M1, M2)
ZP25K5EPFV130	COMPRESSOR 25200, 208/230/60/1 (M3, M4)
ZP31K5EPFV130	COMPRESSOR 31100, 208/230/60/1 (M5, M6)
ZP34K5EPFV130	COMPRESSOR 34500, 208/230/60/1 (M7, M8, M9)
ZP39K5EPFV130	COMPRESSOR 39000, 208/230/60/1 (M10, M11, M12)
ZP51K5EPFV130	COMPRESSOR 51000, 208/230/60/1 (M13, M14, M15, M16)
0131M00061	COND MOTOR 1/4 HP, 1 SP, 8 PL (M5, M6)
0131M00429	COND MOTOR 1/4 HP, 1 SP, 6 PL (M7, M8, M9, M10, M11, M12, M13, M14, M15, M16)
0131M00009P	COND MOTOR 1/6 HP, 1 SP, 8 PL (M1, M2, M3, M4)
CONT1P025024V	CONTACTOR 25 AMP, 1P, 24V (M1, M2, M3, M4, M5, M6)
CONT1P030024V	CONTACTOR 30 AMP, 1P, 24V (M7, M8, M9, M10, M11, M12)
CONT2P040024V	CONTACTOR 40 AMP, 2P, 24V (M13, M14, M15, M16)
0130M00099	CONTROL, DEFROST (M1, M2, M3, M4, M5, M6, M10, M11, M12, M14, M15, M16)
0130M00101	CONTROL, DEFROST (M7, M8, M9, M13)
0230G00005	CRANKCASE HEATER SWITCH (M13, M14, M15, M16)
0130M00089	CUT-OUT SWITCH, HIGH PRESSURE (M16)
0130M00074	CUT-OUT SWITCH, HIGH PRESSURE (M1, M2, M3, M4, M5, M6, M7, M8, M9, M10, M11, M12, M13, M14, M15)
0130M00075	CUT-OUT SWITCH, LOW PRESSURE
PCBDM133	DEFROST CONTROL BOARD
0130M00106	DISC THERMOSTAT CRNKCS HTR (M13, M14, M15, M16)
0150G00005	FAN BLADE (M1, M2, M3, M4)
0150G00004	FAN BLADE (M7, M8, M9, M10, M11, M12, M13, M14, M15, M16)
B1086765	FAN BLADE TYPE 3 (M5, M6)
0163R00003	HEATER, CRANKCASE 230V 40W (M13, M14, M15, M16)
0131M00602	PROGRAMMED MOTOR (M7, M8, M9)
0131M00604	PROGRAMMED MOTOR (M13, M14, M15, M16)
0131M00598	PROGRAMMED MOTOR (M1, M2)
0131M00596	PROGRAMMED MOTOR (M5, M6)
0131M00600	PROGRAMMED MOTOR (M3, M4)
0131G00035	PROGRAMMED MOTOR (M10, M11, M12)
0151R00071	REVERSING VALVE (M5, M6, M7, M8, M9, M10, M11, M12, M13, M14, M15, M16)
0151R00069	REVERSING VALVE (M1, M2, M3, M4)
B1225022	SOLENOID COIL
0130M00138	TRANSFORMER 208/230, 24V

## Expanded Model Nomenclature

M1 - GPH1424H41DC
M2 - GPH1424H41DD
M3 - GPH1430H41DC
M4 - GPH1430H41DD
M5 - GPH1436H41DC
M6 - GPH1436H41DD
M7 - GPH1442H41EA
M8 - GPH1442H41EB
M9 - GPH1442H41EC
M10 - GPH1448H41EA
M11 - GPH1448H41EB
M12 - GPH1448H41EC
M13 - GPH1460H41EA
M14 - GPH1460H41EB
M15 - GPH1460H41EC
M16 - GPH1460H41FA

# Cabinet Assembly



# Cabinet Assembly

Ref. Part No: No:	Description:	Ref. Part No: No:	Description:
<b>Image 1:</b>		<b>Expanded Model Nomenclature</b>	
11	0121G00667PDG DUCT PANEL 27.5" (M1, M2, M3, M4)	M1	GPH1424H41DC
11	0121G00051PDG DUCT PANEL 32.5" (M7, M10)	M2	GPH1424H41DD
11	0121G00668PDG DUCT PANEL 32.5" (M5, M6, M8, M9, M11, M12)	M3	GPH1430H41DC
11	0121G00084PDG DUCT PANEL 36" (M13)	M4	GPH1430H41DD
11	0121G00669PDG DUCT PANEL 36" (M14, M15, M16)	M5	GPH1436H41DC
21	0121G00664DG CORNER PANEL 27.5" (M1, M2, M3, M4)	M6	GPH1436H41DD
21	0121G00522DG CORNER PANEL 32.5" (M7, M10)	M7	GPH1442H41EA
21	0121G00665DG CORNER PANEL 32.5" (M5, M6, M8, M9, M11, M12)	M8	GPH1442H41EB
21	0121G00523DG CORNER PANEL 36" (M13)	M9	GPH1442H41EC
21	0121G00666DG CORNER PANEL 36" (M14, M15, M16)	M10	GPH1448H41EA
31	0121G00047PDG CORNER POST 27.5" (M1, M2, M3, M4)	M11	GPH1448H41EB
31	0121G00048PDG CORNER POST 32.5" (M5, M6, M7, M8, M9, M10, M11, M12)	M12	GPH1448H41EC
31	0121G00082PDG CORNER POST 36" (M13, M14, M15, M16)	M13	GPH1460H41EA
41	0121G00271DG EXTERNAL BLOWER PANEL 27.5" (M1, M2, M3, M4)	M14	GPH1460H41EB
41	0121G00272DG EXTERNAL BLOWER PANEL 32.5" (M5, M6, M7, M8, M9, M10, M11, M12)	M15	GPH1460H41EC
41	0121G00273DG EXTERNAL BLOWER PANEL 36" (M13, M14, M15, M16)	M16	GPH1460H41FA
51	0121G00276DG EXTERNAL CONTROL BOX PANEL		
61	0121G00069PDG LOUVERED PANEL 4 BANK 27.5" (M1, M2, M3, M4)		
61	0121G00070PDG LOUVERED PANEL 4 BANK 32.5" (M5, M6, M7, M8, M9, M10, M11, M12)		
61	0121G00091PDG LOUVERED PANEL 5 BANK 36" (M13, M14, M15, M16)		
71	0121G00090PDG LOUVERED PANEL 4 BANK 36" (M13, M14, M15, M16)		
71	0121G00072PDG LOUVERED PANEL 5 BANK 27.5" (M1, M2, M3, M4)		
71	0121G00073PDG LOUVERED PANEL 5 BANK 32.5" (M5, M6, M7, M8, M9, M10, M11, M12)		
81	0121G00065PDG EVAP PANEL 8.75" X 27.5" (M1, M2, M3, M4)		
81	0121G00066PDG EVAP PANEL 8.75" X 32.5" (M5, M6, M7, M8, M9, M10, M11, M12)		
81	0121G00089PDG EVAP PANEL, 36" EXT RMV (M13, M14, M15, M16)		
91	B1392012 GROMMET / HS 1.0 - .79		
101	0121G00712DG COMPRESSOR PANEL (M6, M9, M12)		
101	0121G00713DG COMPRESSOR PANEL (M2, M4)		
101	0121G00715DG COMPRESSOR PANEL (M15, M16)		
101	0121G00062PDG COMPRESSOR PANEL 13.68" X 27.50" (M1, M3)		
101	0121G00060PDG COMPRESSOR PANEL 8.75" X 32.50" (M5, M7, M8, M10, M11)		
101	0121G00087PDG COMPRESSOR PANEL 8.75" X 36" (M13, M14)		
121	0121G00070PDG LOUVERED PANEL 4 BANK 32.5" (M5, M6, M7, M8, M9, M10, M11, M12)		
121	0121G00090PDG LOUVERED PANEL 4 BANK 36" (M13, M14, M15, M16)		
121	0121G00072PDG LOUVERED PANEL 5 BANK 27.5" (M1, M2, M3, M4)		
131	0121G00044PRF BASEPAN RAIL (QTY 2)		
NS	0164G00005 GROMMET-HORSESHOE 1.675 (M2, M4, M6, M9, M12, M15, M16)		

# Chassis Assembly

Image 1

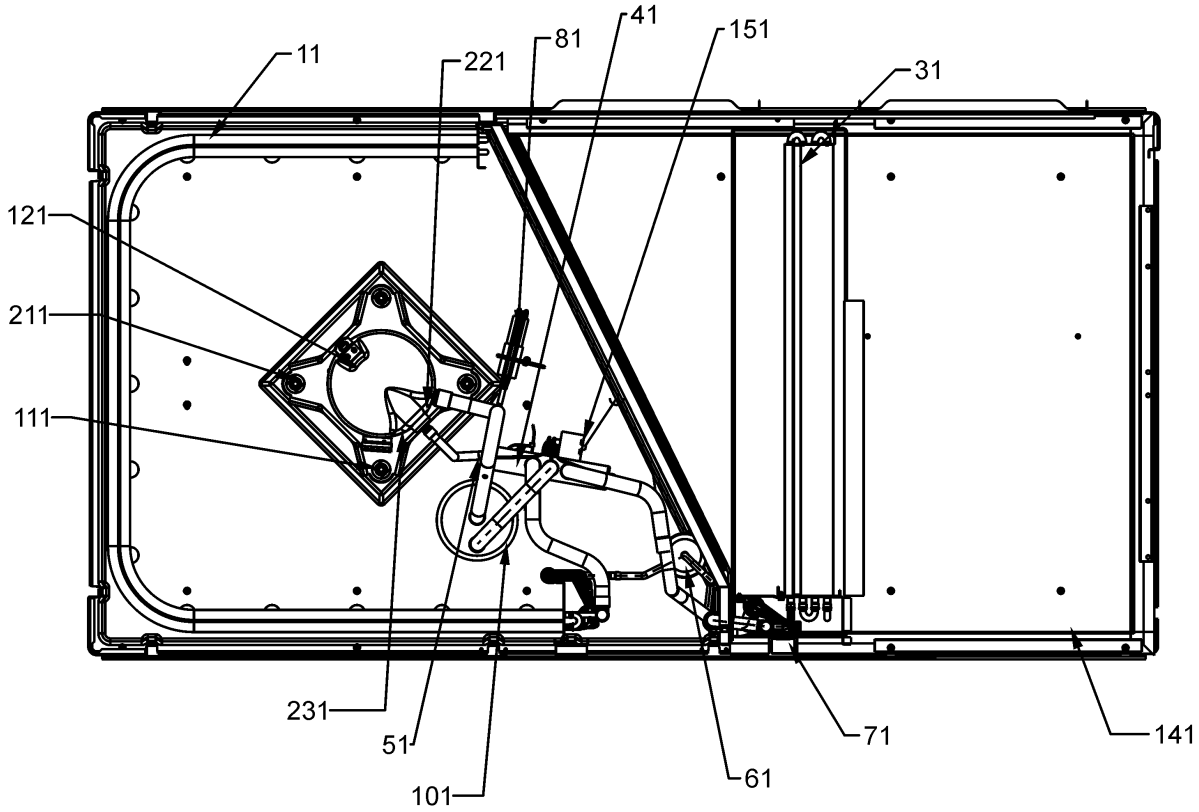


Image 2

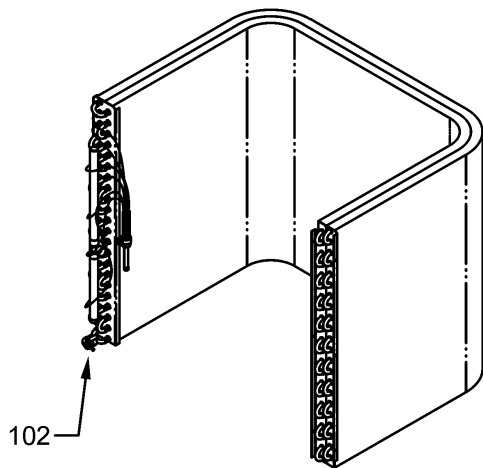
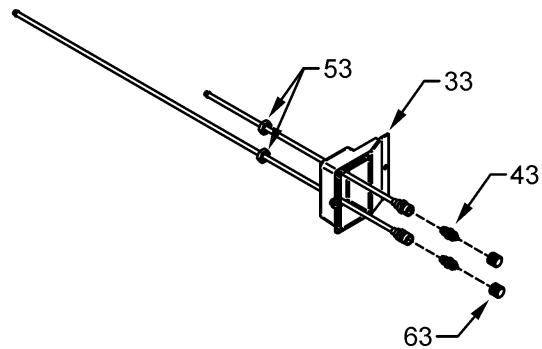


Image 3



# Chassis Assembly

Ref. Part No: No:	Description:	Ref. Part No: No:	Description:																
<b>Image 1:</b>		<b>Image 1:</b>																	
11	0201G00279 TUBING ASSY, COND COIL (M1, M2, M3, M4)	NS	0121G00045P POST 27.5" (M1, M2, M3, M4)																
11	0201G00298 TUBING ASSY, COND COIL (M5, M6)	NS	0121G00079P POST 32.5" (M5, M6, M7, M8, M9, M10, M11, M12)																
11	0201G00332 TUBING ASSY, COND COIL (M10, M11, M12)	NS	0121G00083P POST 36" (M13, M14, M15, M16)																
11	0201G00343 TUBING ASSY, COND COIL (M13, M14, M15)	<b>Image 2:</b>																	
11	0201G00344 TUBING ASSY, COND COIL (M7, M8, M9)	102	0130M00099 CONTROL, DEFROST (M1, M2, M3, M4, M5, M6, M10, M11, M12, M14, M15, M16)																
11	0201R00673 TUBING ASSY, COND COIL (M16)	102	0130M00101 CONTROL, DEFROST (M7, M8, M9, M13)																
31	0202G00517 TUBING ASSY, EVAP COIL (M7, M10)	<b>Image 3:</b>																	
31	0202G00518 TUBING ASSY, EVAP COIL (M13)	33	0161G00008 ACCESS-FITTING BOX (M1, M3, M5, M7, M8, M10, M11, M13, M14)																
31	0202G00559 TUBING ASSY, EVAP COIL (M1, M2)	43	B1373315 ACCESS FITTING (QTY 2)																
31	0202G00560 TUBING ASSY, EVAP COIL (M3, M4)	53	0163G00000P FASTEST FITTING NUT (M1, M3, M5, M7, M8, M10, M11, M13, M14)																
31	0202G00561 TUBING ASSY, EVAP COIL (M5, M6)	63	0163M00175 CAP WITH O-RING (QTY 2)																
31	0202G00562 TUBING ASSY, EVAP COIL (M8, M9, M11, M12)	<b>Expanded Model Nomenclature</b>																	
31	0202G00598 TUBING ASSY, EVAP COIL (M14, M15, M16)	<table border="1"> <tr><td>M1 - GPH1424H41DC</td></tr> <tr><td>M2 - GPH1424H41DD</td></tr> <tr><td>M3 - GPH1430H41DC</td></tr> <tr><td>M4 - GPH1430H41DD</td></tr> <tr><td>M5 - GPH1436H41DC</td></tr> <tr><td>M6 - GPH1436H41DD</td></tr> <tr><td>M7 - GPH1442H41EA</td></tr> <tr><td>M8 - GPH1442H41EB</td></tr> <tr><td>M9 - GPH1442H41EC</td></tr> <tr><td>M10 - GPH1448H41EA</td></tr> <tr><td>M11 - GPH1448H41EB</td></tr> <tr><td>M12 - GPH1448H41EC</td></tr> <tr><td>M13 - GPH1460H41EA</td></tr> <tr><td>M14 - GPH1460H41EB</td></tr> <tr><td>M15 - GPH1460H41EC</td></tr> <tr><td>M16 - GPH1460H41FA</td></tr> </table>		M1 - GPH1424H41DC	M2 - GPH1424H41DD	M3 - GPH1430H41DC	M4 - GPH1430H41DD	M5 - GPH1436H41DC	M6 - GPH1436H41DD	M7 - GPH1442H41EA	M8 - GPH1442H41EB	M9 - GPH1442H41EC	M10 - GPH1448H41EA	M11 - GPH1448H41EB	M12 - GPH1448H41EC	M13 - GPH1460H41EA	M14 - GPH1460H41EB	M15 - GPH1460H41EC	M16 - GPH1460H41FA
M1 - GPH1424H41DC																			
M2 - GPH1424H41DD																			
M3 - GPH1430H41DC																			
M4 - GPH1430H41DD																			
M5 - GPH1436H41DC																			
M6 - GPH1436H41DD																			
M7 - GPH1442H41EA																			
M8 - GPH1442H41EB																			
M9 - GPH1442H41EC																			
M10 - GPH1448H41EA																			
M11 - GPH1448H41EB																			
M12 - GPH1448H41EC																			
M13 - GPH1460H41EA																			
M14 - GPH1460H41EB																			
M15 - GPH1460H41EC																			
M16 - GPH1460H41FA																			
41	0151R00069 REVERSING VALVE (M1, M2, M3, M4)																		
41	0151R00071 REVERSING VALVE (M5, M6, M7, M8, M9, M10, M11, M12, M13, M14, M15, M16)																		
51	0130M00074 CUT-OUT SWITCH, HIGH PRESSURE (M1, M2, M3, M4, M5, M6, M7, M8, M9, M10, M11, M12, M13, M14, M15)																		
51	0130M00089 CUT-OUT SWITCH, HIGH PRESSURE (M16)																		
61	B1219204 BI-FLOW FILTER DRIER																		
71	0161G00000P PAN, DRIP																		
81	0130M00075 CUT-OUT SWITCH, LOW PRESSURE																		
101	B1226206 ACCUMULATOR (M1, M2, M3, M4)																		
101	B1226207 ACCUMULATOR .875 (M5, M6, M7, M8, M9, M10, M11, M12, M13, M14, M15, M16)																		
111	B1339533 COMPRESSOR GROMMET (QTY 4)																		
121	ZP21K5EPFV130 COMPRESSOR 21300, 208/230/60/1 (M1, M2)																		
121	ZP25K5EPFV130 COMPRESSOR 25200, 208/230/60/1 (M3, M4)																		
121	ZP31K5EPFV130 COMPRESSOR 31100, 208/230/60/1 (M5, M6)																		
121	ZP34K5EPFV130 COMPRESSOR 34500, 208/230/60/1 (M7, M8, M9)																		
121	ZP39K5EPFV130 COMPRESSOR 39000, 208/230/60/1 (M10, M11, M12)																		
121	ZP51K5EPFV130 COMPRESSOR 51000, 208/230/60/1 (M13, M14, M15, M16)																		
141	0121G00046P INSULATED ASSY, BASEPAN																		
151	B1225022 SOLENOID COIL																		
211	M0221641 TF SHOULDER SCREW (QTY 4)																		
221	0230G00005 CRANKCASE HEATER SWITCH (M13, M14, M15, M16)																		
231	0163R00003 HEATER, CRANKCASE 230V 40W (M13, M14, M15, M16)																		
NS	0159G00004 COMPRESSOR SCROLL HARNESS																		
NS	0130M00106 DISC THERMOSTAT CRNKCS HTR (M13, M14, M15, M16)																		
NS	0128G00052 EVAP DRIP SHIELD																		
NS	0162M00197 FLOWRATOR (M13)																		
NS	0162M00218 FLOWRATOR (M7, M10)																		
NS	0162M00021P FLOWRATOR .047 (M1, M2, M3, M4)																		
NS	0162M00098 FLOWRATOR .065 (M7, M8, M9, M10, M11, M12)																		
NS	0162M00012P FLOWRATOR .071 [COND] (M13, M14, M15)																		
NS	0162M00312 FLOWRATOR [COND] (M5, M6)																		
NS	0162M00399 FLOWRATOR [COND] (M16)																		
NS	0162M00213 FLOWRATOR [EVAP] (M5, M6)																		
NS	0162M00310 FLOWRATOR [EVAP] (M14, M15, M16)																		
NS	0162M00311 FLOWRATOR [EVAP] (M8, M9, M11, M12)																		
NS	0162M00313 FLOWRATOR [EVAP] (M1, M2)																		
NS	0162M00314 FLOWRATOR [EVAP] (M3, M4)																		

# Top Panel and Control Box Assembly

Image 1

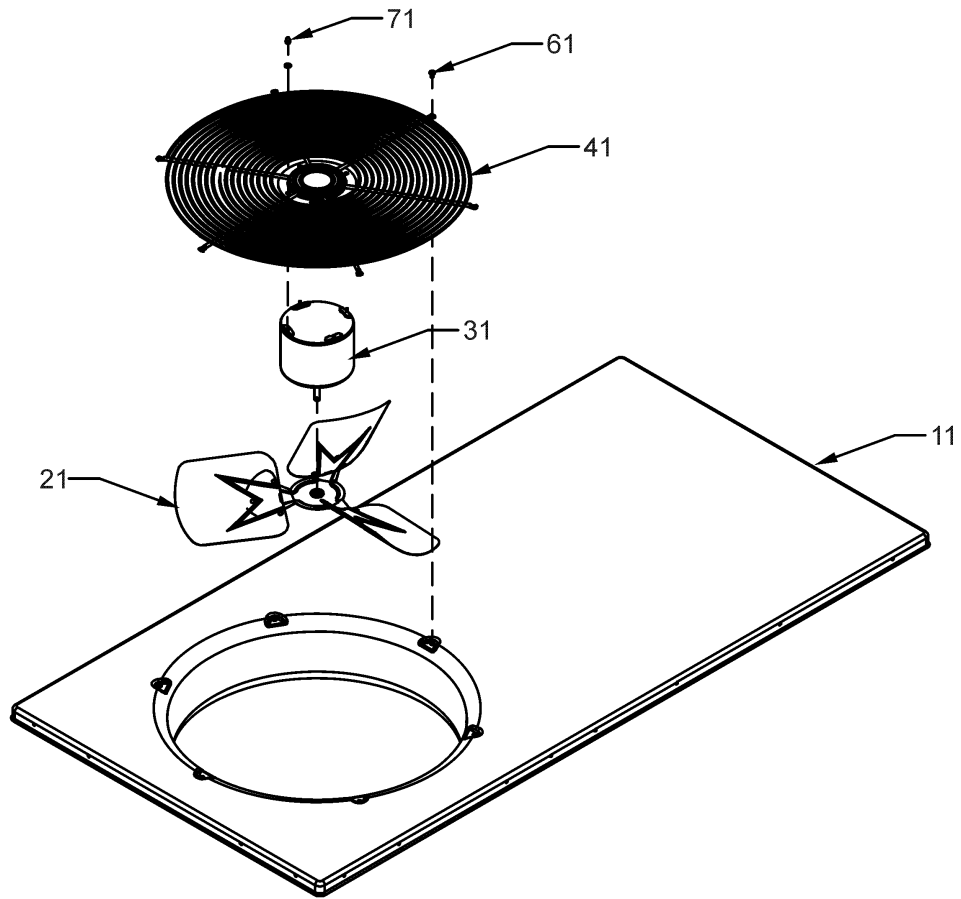
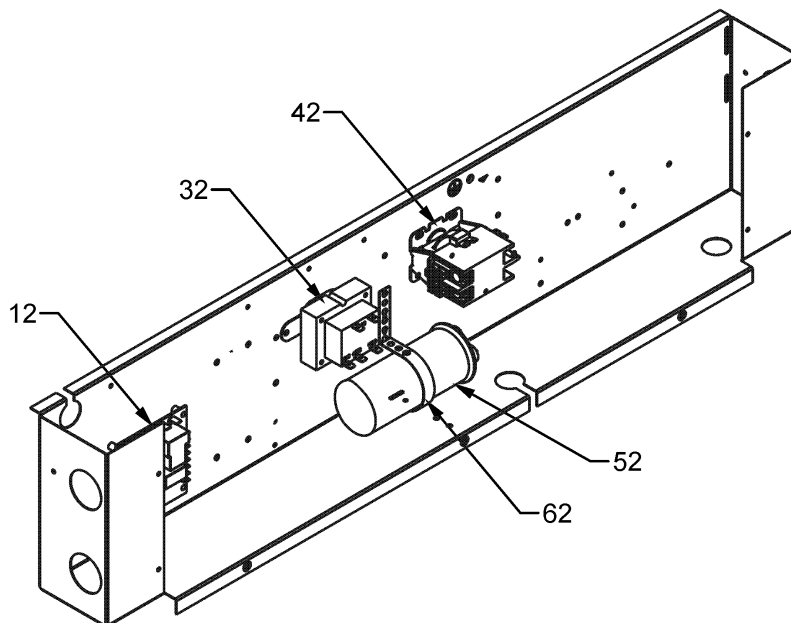


Image 2





# Top Panel and Control Box Assembly

Ref. Part No: No:	Description:	Ref. Part No: No:	Description:
-------------------	--------------	-------------------	--------------

**Image 1:**

11	0121G00274DG	TOP PANEL PAINTED
21	0150G00004	FAN BLADE (M7, M8, M9, M10, M11, M12, M13, M14, M15, M16)
21	0150G00005	FAN BLADE (M1, M2, M3, M4)
21	B1086765	FAN BLADE TYPE 3 (M5, M6)
31	0131M00061	COND MOTOR 1/4 HP, 1 SP, 8 PL (M5, M6)
31	0131M00429	COND MOTOR 1/4 HP, 1 SP, 6 PL (M7, M8, M9, M10, M11, M12, M13, M14, M15, M16)
31	0131M00009P	COND MOTOR 1/6 HP, 1 SP, 8 PL (M1, M2, M3,
41	0152G00003	FAN GRILLE
61	M0221817	SMALL SCREW (QTY 4)
71	0163M00006P	ACORN NUT 5/16 HEX BLACK (QTY 4)
NS	1778800083F	PVC CONDUIT 8.25"

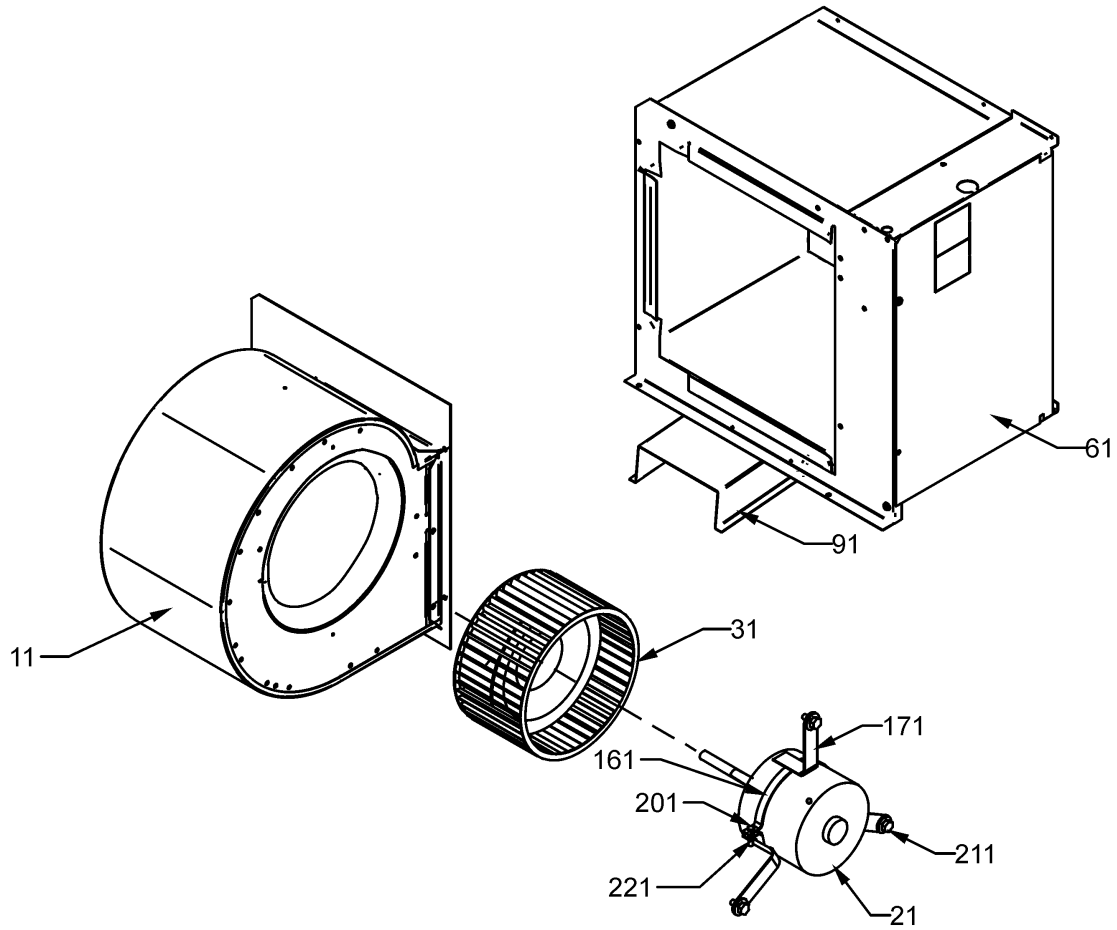
**Image 2:**

12	PCBDM133	DEFROST CONTROL BOARD
32	0130M00138	TRANSFORMER 208/230, 24V
42	CONT1P025024V	CONTACTOR 25 AMP, 1P, 24V (M1, M2, M3, M4, M5, M6)
42	CONT1P030024V	CONTACTOR 30 AMP, 1P, 24V (M7, M8, M9, M10, M11, M12)
42	CONT2P040024V	CONTACTOR 40 AMP, 2P, 24V (M13, M14, M15, M16)
52	CAP050400440CT	CAPACITOR 5/40/440V/DUAL RD (M1, M2, M3, M4)
52	CAP050450440CT	CAPACITOR 5/45/440V/DUAL RD (M5, M6, M7, M8, M9, M10, M11, M12)
52	CAP050700440CT	CAPACITOR 5/70/440V/DUAL RD (M13, M14, M15, M16)
62	20520901	CAPACITOR STRAP
NS	0259G00003	WIRE HARNESS, ELECTRIC HEAT

**Expanded Model Nomenclature**

M1 - GPH1424H41DC
M2 - GPH1424H41DD
M3 - GPH1430H41DC
M4 - GPH1430H41DD
M5 - GPH1436H41DC
M6 - GPH1436H41DD
M7 - GPH1442H41EA
M8 - GPH1442H41EB
M9 - GPH1442H41EC
M10 - GPH1448H41EA
M11 - GPH1448H41EB
M12 - GPH1448H41EC
M13 - GPH1460H41EA
M14 - GPH1460H41EB
M15 - GPH1460H41EC
M16 - GPH1460H41FA

# Blower Assembly



# Blower Assembly

Ref. Part No: No:	Description:	Ref. Part No: No:	Description:
<b>Image 1:</b>			
11 10324248	BLOWER HOUSING 10 X 8 (M1, M2, M3, M4, M5, M6, M7, M8, M9, M10, M11, M12)		
11 0271G00017	BLOWER HOUSING 11 X 8 (M13, M14, M15, M16)		
21 0131G00035	PROGRAMMED MOTOR (M10, M11, M12)		
21 0131M00596	PROGRAMMED MOTOR (M5, M6)		
21 0131M00598	PROGRAMMED MOTOR (M1, M2)		
21 0131M00600	PROGRAMMED MOTOR (M3, M4)		
21 0131M00602	PROGRAMMED MOTOR (M7, M8, M9)		
21 0131M00604	PROGRAMMED MOTOR (M13, M14, M15, M16)		
31 B1368016	BLOWER WHEEL 10 X 8 (M1, M2, M3, M4, M5, M6, M7, M8, M9, M10, M11, M12)		
31 B1368054	BLOWER WHEEL 11 X 8 (M13, M14, M15, M16)		
61 0121G00039P	HEATER KIT COVER		
91 0121G00040P	BLOWER SUPPORT		
161 0121M00038	MOTOR MOUNT BAND		
171 B1376853	MOTOR MOUNT ARM (M1, M2, M3, M4, M5, M6, M7, M8, M9, M10, M11, M12)		
171 B1376857	MOTOR MOUNT ARM (M13, M14, M15, M16)		
201 B1393323	MACHINE SCREW HWH 1/4-20 X 1-1/2 BZ		
211 M0250565	TC SCREW 1.25" (QTY 3)		
221 B1393800	LOCKNUT, NYLON, INSERT 1/4, 20		
NS C6121810	BLOWER CUT-OFF (M1, M2, M3, M4, M5, M6, M7, M8, M9, M10, M11, M12)		
NS 2964700	BLOWER CUT-OFF 11 X 8 (M13, M14, M15, M16)		

## Expanded Model Nomenclature

M1 - GPH1424H41DC
M2 - GPH1424H41DD
M3 - GPH1430H41DC
M4 - GPH1430H41DD
M5 - GPH1436H41DC
M6 - GPH1436H41DD
M7 - GPH1442H41EA
M8 - GPH1442H41EB
M9 - GPH1442H41EC
M10 - GPH1448H41EA
M11 - GPH1448H41EB
M12 - GPH1448H41EC
M13 - GPH1460H41EA
M14 - GPH1460H41EB
M15 - GPH1460H41EC
M16 - GPH1460H41FA